



US00D913211S

(12) **United States Design Patent**  
**Kojima**

(10) **Patent No.:** **US D913,211 S**  
(45) **Date of Patent:** **\*\* Mar. 16, 2021**

(54) **PORTABLE SOLAR PANEL**

(71) Applicant: **ZEON CORPORATION**, Tokyo (JP)

(72) Inventor: **Kiyoshige Kojima**, Tokyo (JP)

(73) Assignee: **ZEON CORPORATION**, Tokyo (JP)

(\*\*) Term: **15 Years**

(21) Appl. No.: **29/701,700**

(22) Filed: **Aug. 14, 2019**

(30) **Foreign Application Priority Data**

Feb. 22, 2019 (JP) ..... 2019-003646

(51) **LOC (13) Cl.** ..... **13-99**

(52) **U.S. Cl.**  
USPC ..... **D13/102**

(58) **Field of Classification Search**  
USPC ..... D13/101, 102, 103, 106, 107, 110, 111,  
D13/112, 116, 118, 119, 121, 129, 133,  
D13/154, 155, 165, 184, 199  
CPC . H01L 31/0475; H01L 31/02008; F24S 25/33  
See application file for complete search history.

(56) **References Cited**

**U.S. PATENT DOCUMENTS**

D439,877 S \* 4/2001 Vacheron ..... D13/103  
6,447,949 B2 \* 9/2002 Iwata ..... H01M 2/361  
429/185  
D561,687 S \* 2/2008 Sween ..... D13/110  
(Continued)

**FOREIGN PATENT DOCUMENTS**

JP 1580840 S 7/2017  
JP 1613171 S 9/2018

**OTHER PUBLICATIONS**

“SolarLok PV Junction Box”. Found online Nov. 18, 2020 at solarbuildermag.com. Reference dated Jan. 19, 2017. Retrieved

from <https://solarbuildermag.com/news/this-new-junction-box-is-designed-for-bifacial-and-half-cut-solar-panels/>. (Year: 2017).\*

(Continued)

*Primary Examiner* — Kendra Leslie Hamilton

*Assistant Examiner* — Amanda Christensen

(74) *Attorney, Agent, or Firm* — Kenja IP Law PC

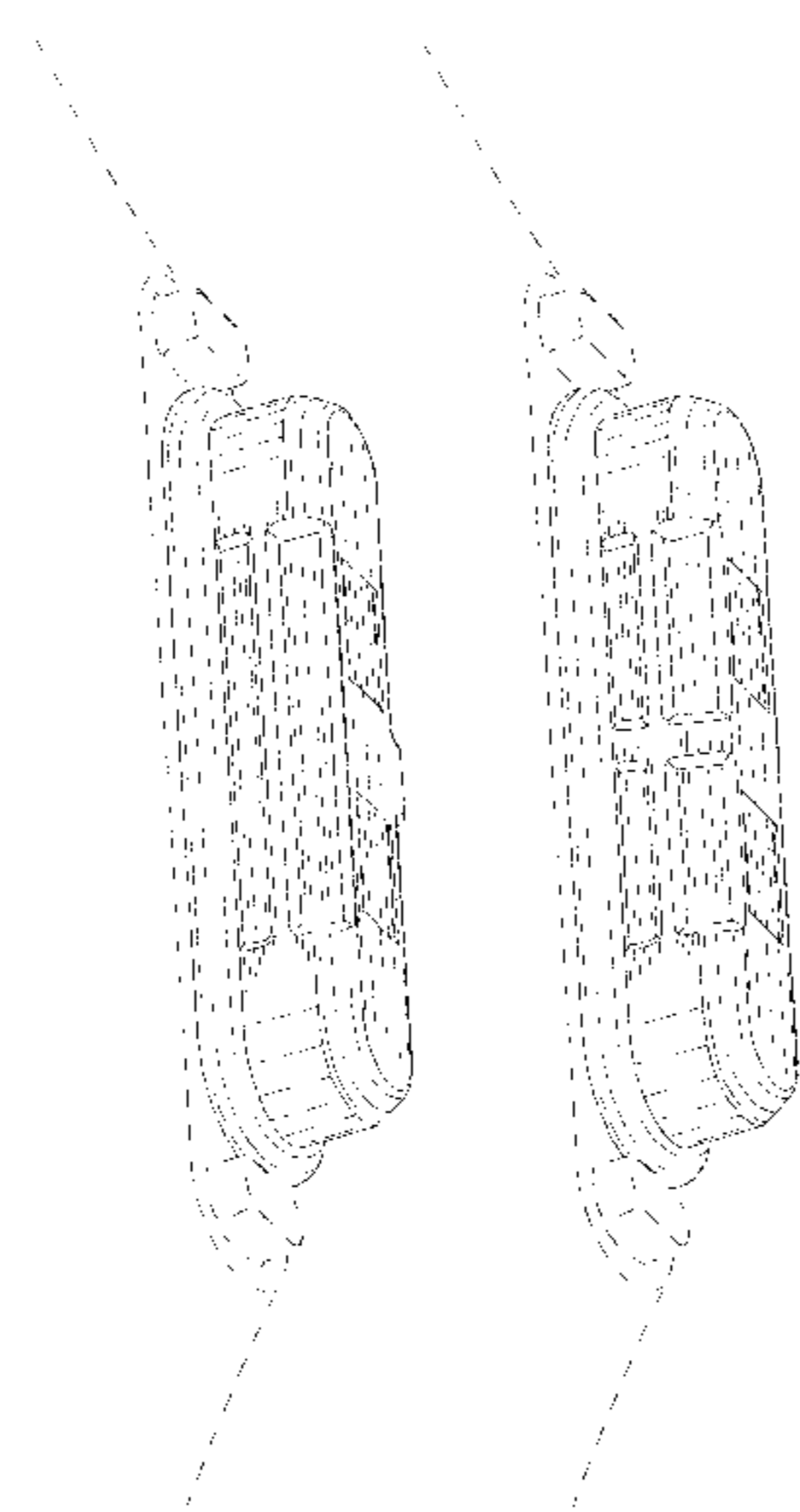
(57) **CLAIM**

The ornamental design for a portable solar panel, as shown and described.

**DESCRIPTION**

FIG. 1 is a front elevation view of a portable solar panel showing my new design;  
FIG. 2 is a rear elevation view thereof;  
FIG. 3 is a right side elevation view thereof;  
FIG. 4 is a left side elevation view thereof;  
FIG. 5 is a top plan view thereof;  
FIG. 6 is a bottom plan view thereof;  
FIG. 7 is a top, front, right side perspective view thereof;  
FIG. 8 is a bottom, front, left side perspective view thereof;  
FIG. 9 is an enlarged front elevation view of the detail identified in FIG. 1;  
FIG. 10 is an enlarged top, front, right side perspective view of the detail identified in FIG. 7;  
FIG. 11 is an enlarged bottom, front, left side perspective view of the detail identified in FIG. 8; and,  
FIG. 12 is a top, front, right side perspective view of the portable solar panel of FIG. 1, shown at a smaller scale and in a condition of use.  
The broken lines in the drawings depict portions of the portable solar panel that form no part of the claimed design. The broken lines showing the mobile power charger in FIG. 12 depict environmental subject matter that form no part of the claimed design.

**1 Claim, 12 Drawing Sheets**



(56)

**References Cited**

U.S. PATENT DOCUMENTS

D562,225	S *	2/2008	Almy	.....	D13/102
7,462,417	B2 *	12/2008	Moon	.....	H01M 10/425 429/90
D634,704	S *	3/2011	Tieleman	.....	D13/102
D788,696	S *	6/2017	Yonishi	.....	D13/103
D816,026	S *	4/2018	Georgiades	.....	D13/108
D819,569	S *	6/2018	Yamamoto	.....	D13/133
10,008,974	B2 *	6/2018	Tomlinson	.....	H02S 20/10
D861,611	S *	10/2019	Wang	.....	D13/133
2009/0140689	A1 *	6/2009	Lee	.....	H02J 7/35 320/101
2019/0273462	A1 *	9/2019	Almy	.....	H02S 20/25

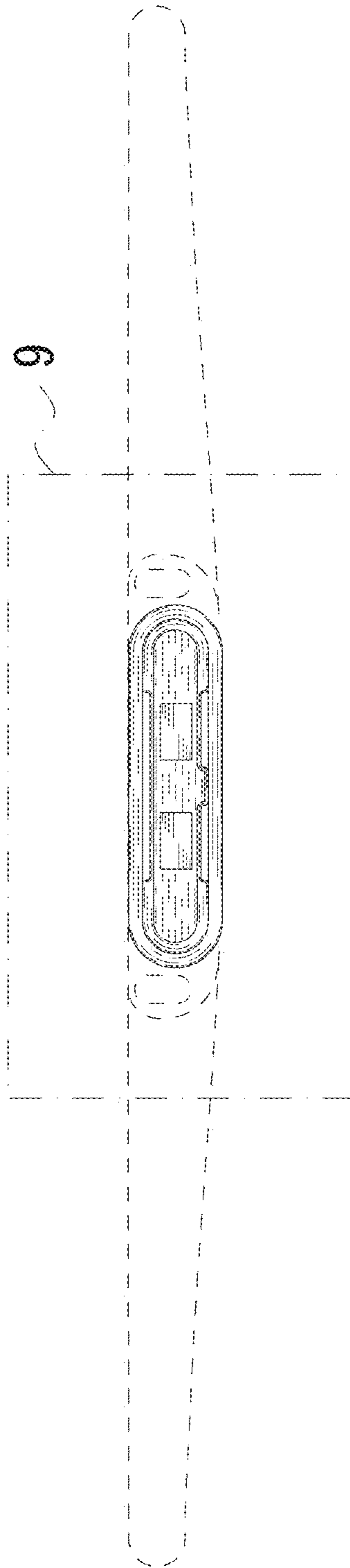
OTHER PUBLICATIONS

“Waterproof Car Fuse Holder”. Found online Nov. 16, 2020 at amazon.com. Reference dated Mar. 30, 2016. Retrieved from <https://www.amazon.com/Waterproof-fuse-holder-Blade-Holder/dp/B01DLUQ1BW> (Year: 2016).\*

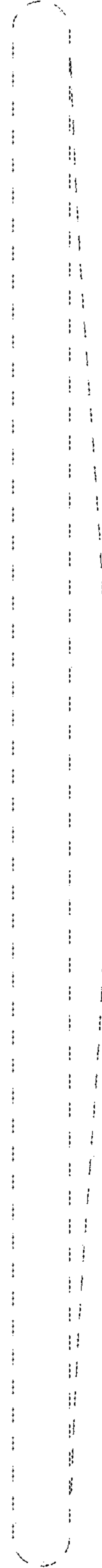
“Why Mobile Phone Batteries Has Three Terminals for Charging”. Found online Nov. 10, 2020 at salutetech.blogspot.com. Reference dated Oct. 6, 2011. Retrieved from <http://salutetech.blogspot.com/2011/10/why-mobile-phone-batteries-has-three.html> (Year: 2011).\*

\* cited by examiner

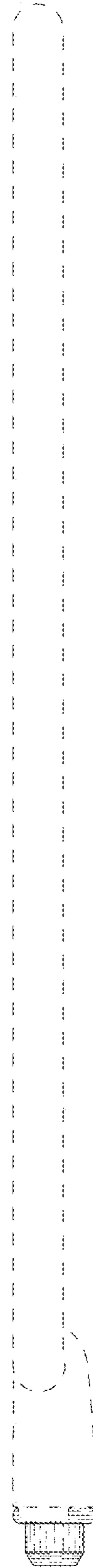
*FIG. 1*



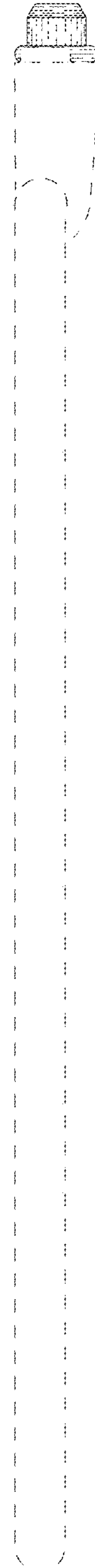
*FIG. 2*



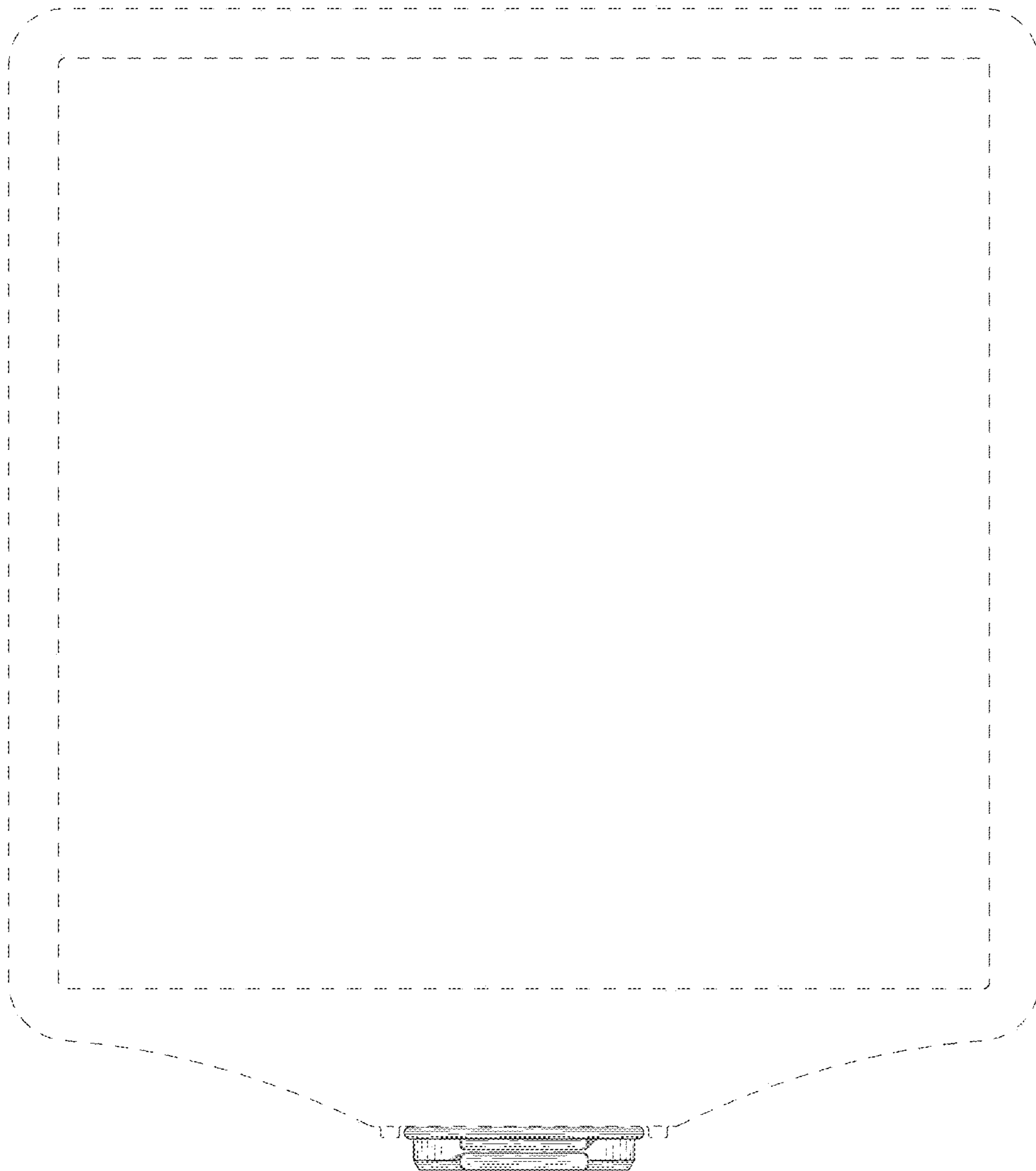
*FIG. 3*



*FIG. 4*



*FIG. 5*



*FIG. 6*

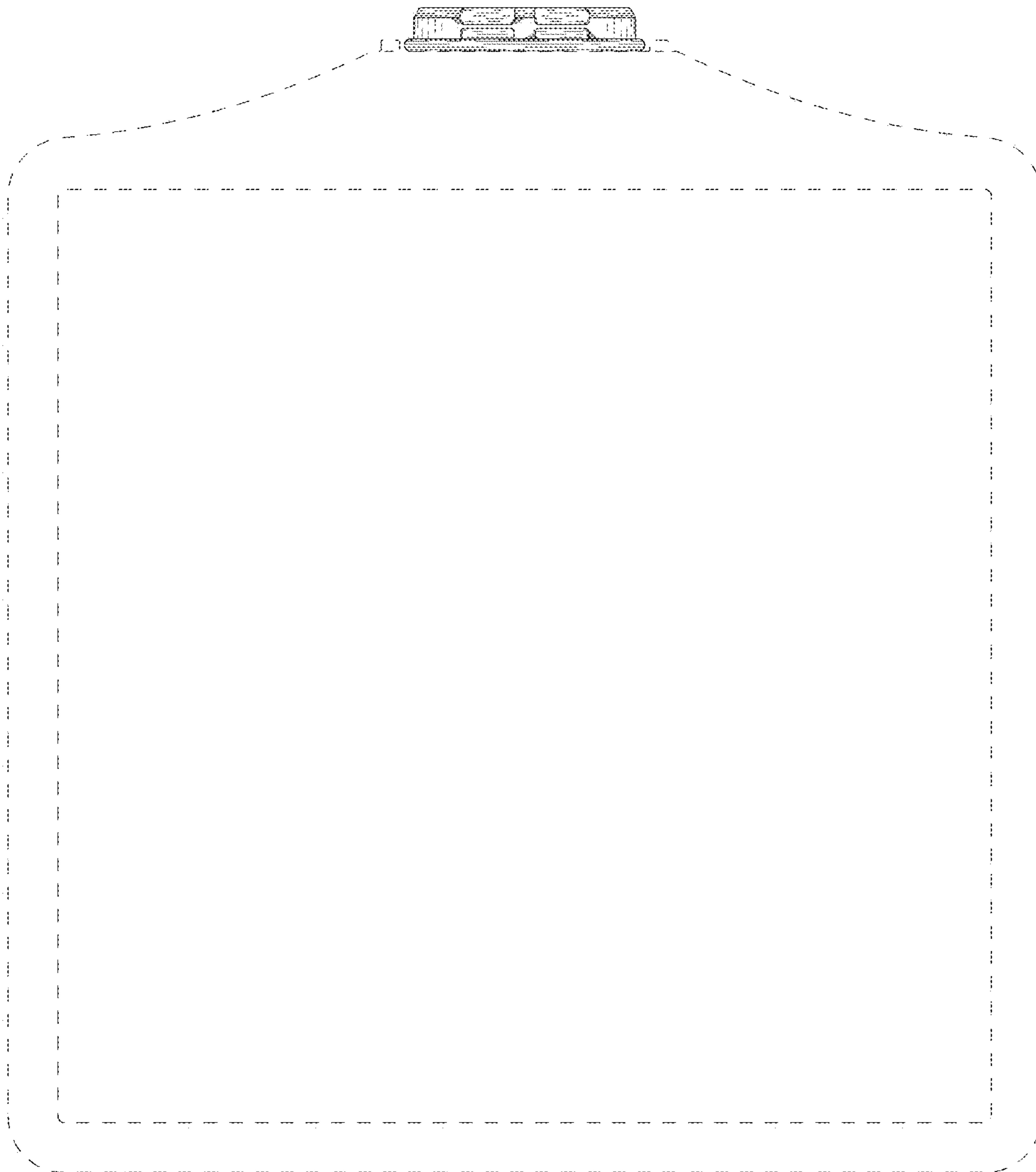
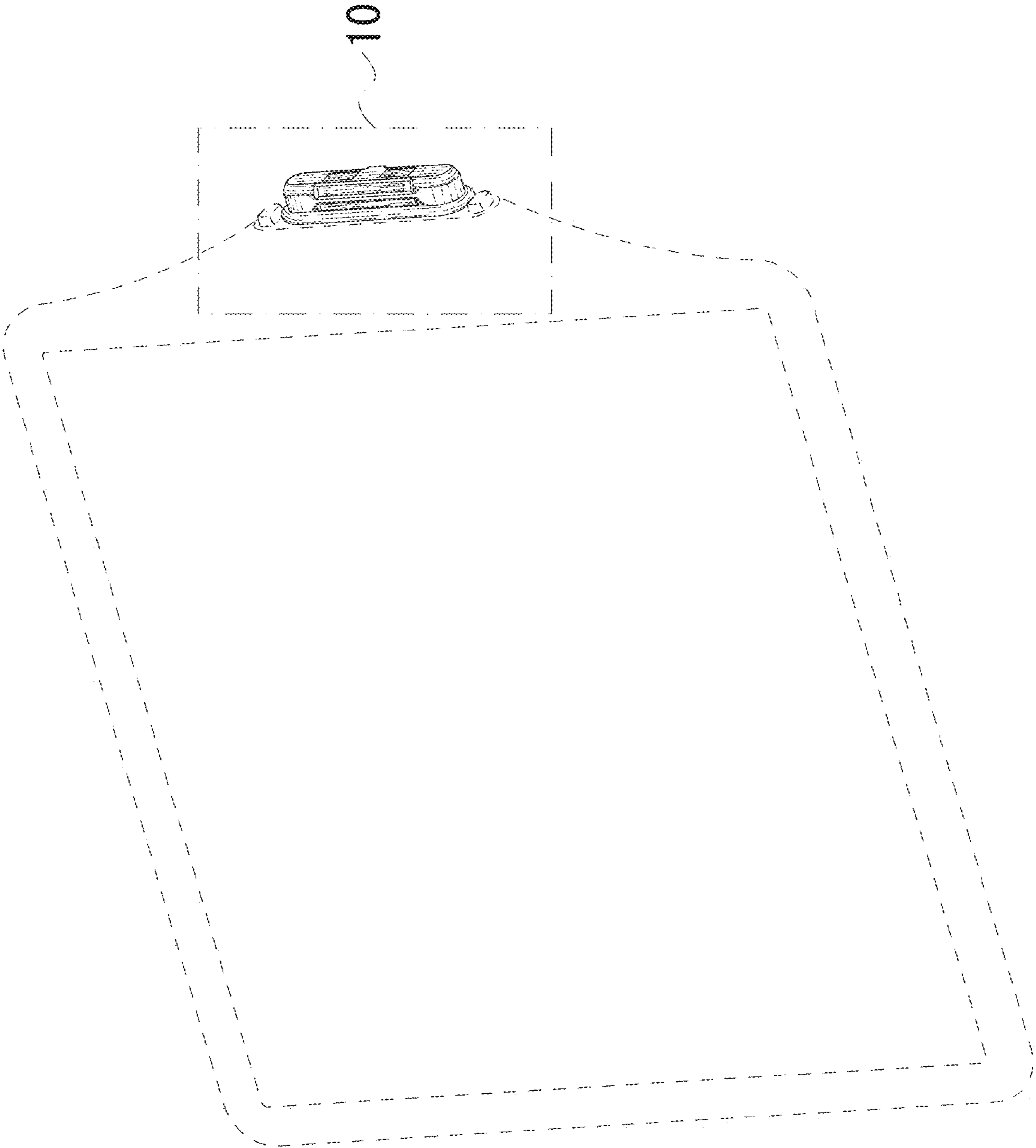
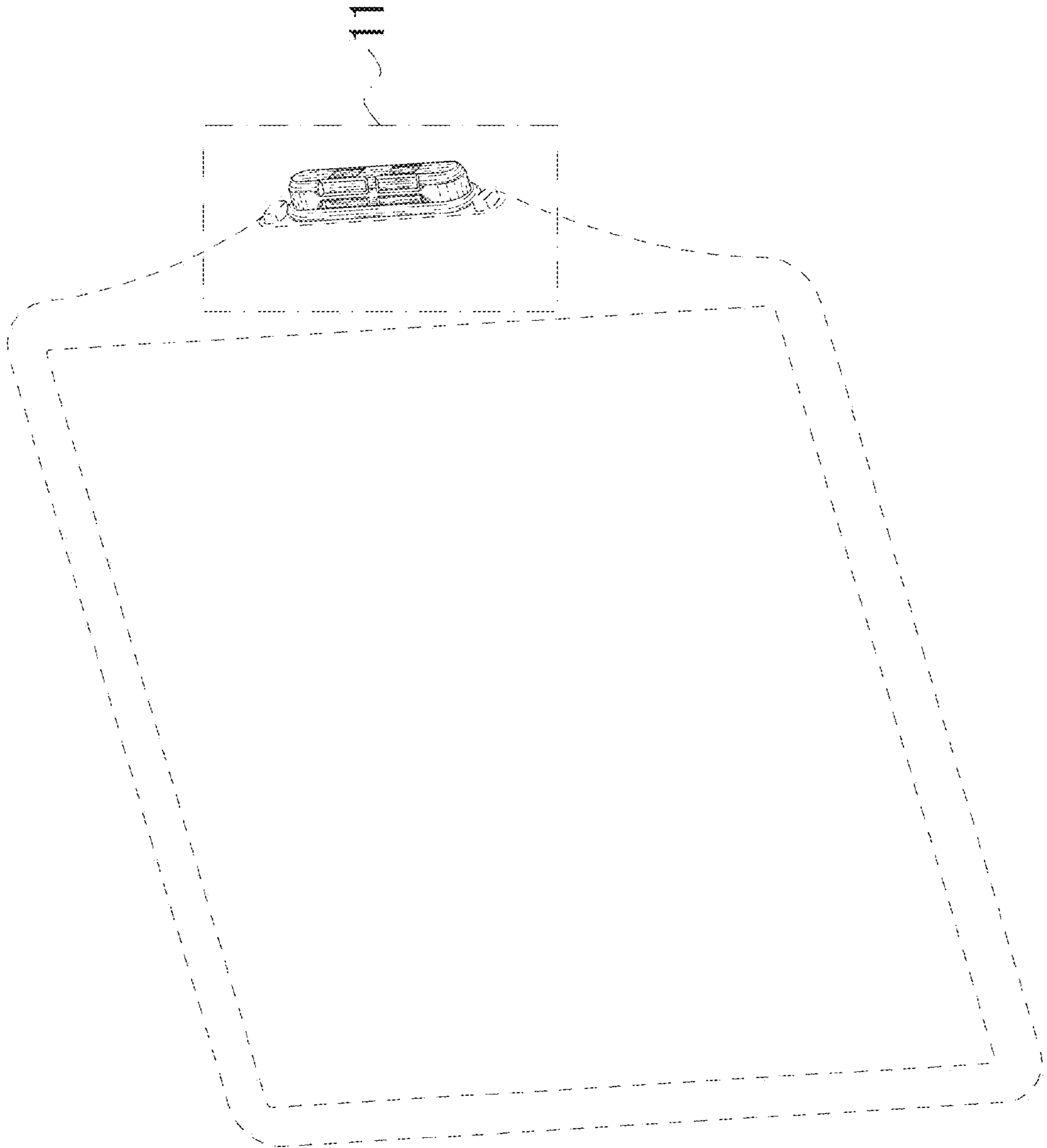




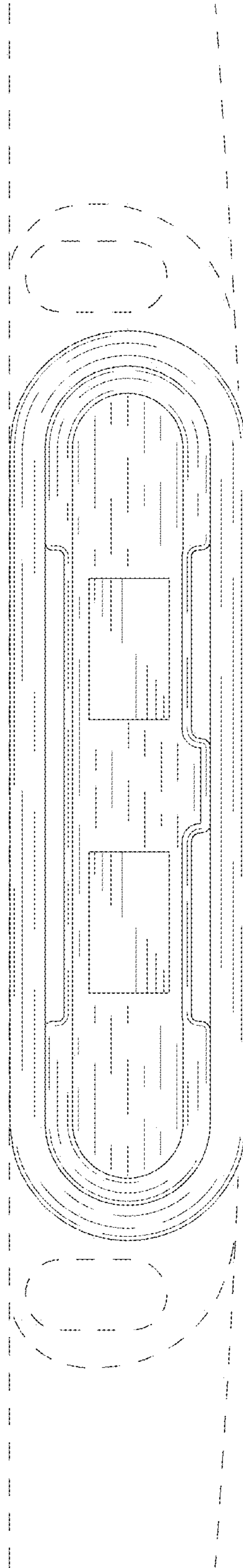
FIG. 7



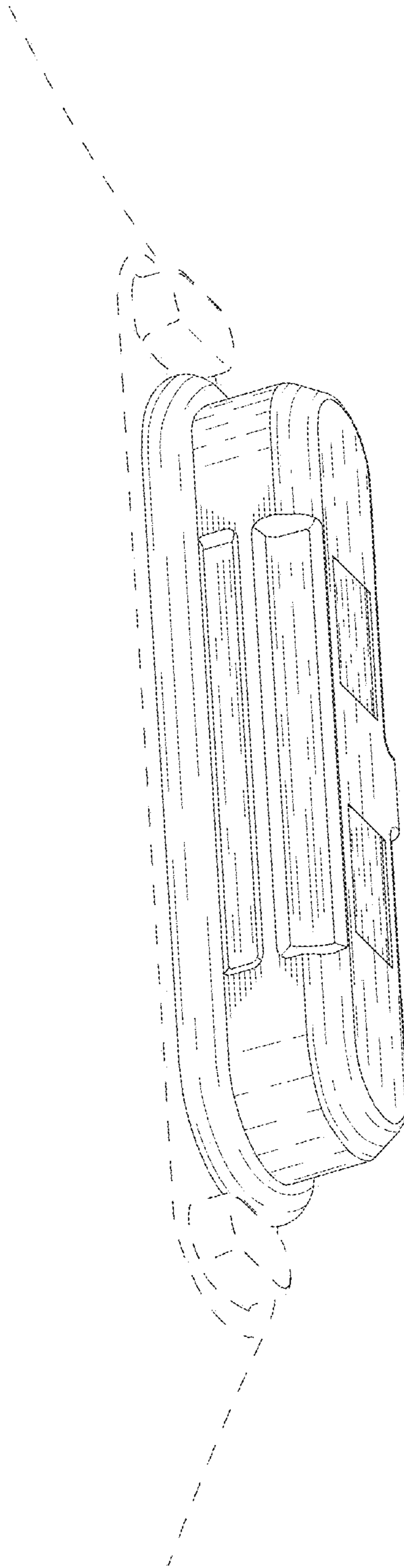
*FIG. 8*



*FIG. 9*



*FIG. 10*



*FIG. 11*

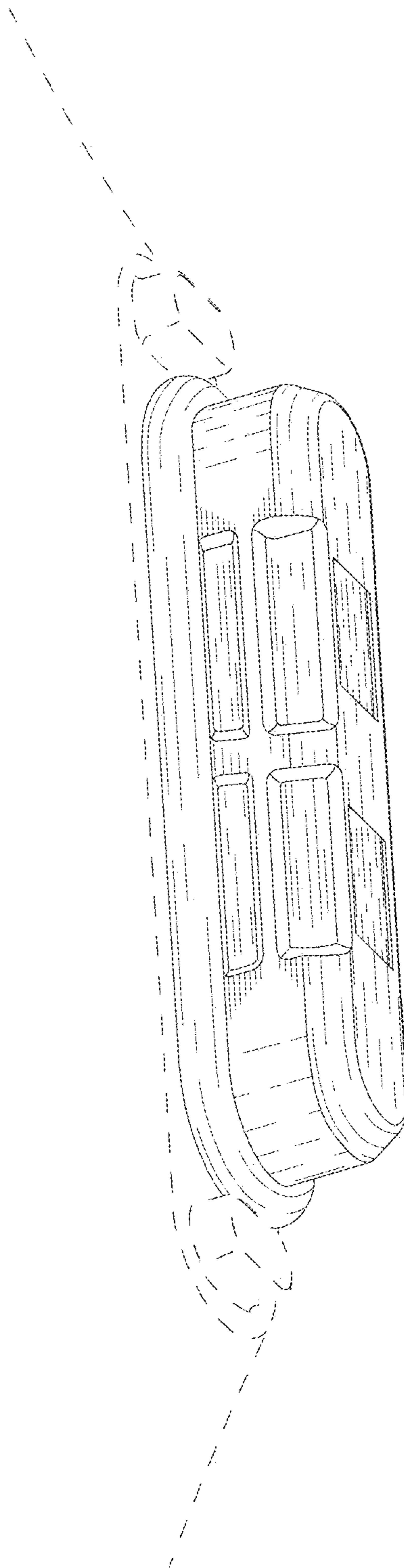


FIG. 12

