



US00D913204S

(12) **United States Design Patent** (10) **Patent No.:** **US D913,204 S**
Sareen (45) **Date of Patent:** **** Mar. 16, 2021**

(54) **TIRE TREAD**

(71) Applicant: **Omni United (S) Pte Ltd.**, Singapore (SG)

(72) Inventor: **Gajendra Singh Sareen**, Singapore (SG)

(73) Assignee: **Omni United (S) Pte Ltd.**, Singapore (SG)

(**) Term: **15 Years**

(21) Appl. No.: **29/729,332**

(22) Filed: **Mar. 25, 2020**

(51) **LOC (13) Cl.** **12-15**

(52) **U.S. Cl.**
USPC **D12/527**

(58) **Field of Classification Search**
USPC D12/515-532, 604
CPC Y10T 152/10027; B60C 1/0016; B60C 11/0306; B60C 11/0302; B60C 3/06; B60C 9/17
See application file for complete search history.

(56) **References Cited**

U.S. PATENT DOCUMENTS

D490,046 S *	5/2004	Fukunaga	D12/521
D522,442 S	6/2006	Shirouzu		
D599,274 S	9/2009	Sakai et al.		
D602,843 S	10/2009	Sato		
D602,844 S	10/2009	Sato		
D604,688 S *	11/2009	Sato	D12/514
D628,951 S	12/2010	Frappart et al.		
D630,997 S	1/2011	Wright et al.		
D662,871 S	7/2012	Miyazaki		
D685,719 S	7/2013	Ochi		
D685,720 S	7/2013	Ochi		
D686,140 S *	7/2013	Ochi	D12/530
D718,219 S	11/2014	Berzins et al.		
D724,005 S	3/2015	Hughes et al.		

D725,584 S	3/2015	Ropars		
D726,642 S *	4/2015	Sato	D12/532
D737,752 S *	9/2015	Shondel	D12/521
9,296,259 B2	3/2016	Numata		
D753,583 S	4/2016	Hao et al.		
D758,953 S	6/2016	Ebiko et al.		
D770,363 S *	11/2016	Sareen	D12/523
D773,976 S	12/2016	Dixon		

(Continued)

FOREIGN PATENT DOCUMENTS

WO	2019098277	A1	5/2019
WO	2019171553	A1	9/2019

Primary Examiner — John A Voytek

(74) *Attorney, Agent, or Firm* — Perkins Coie LLP

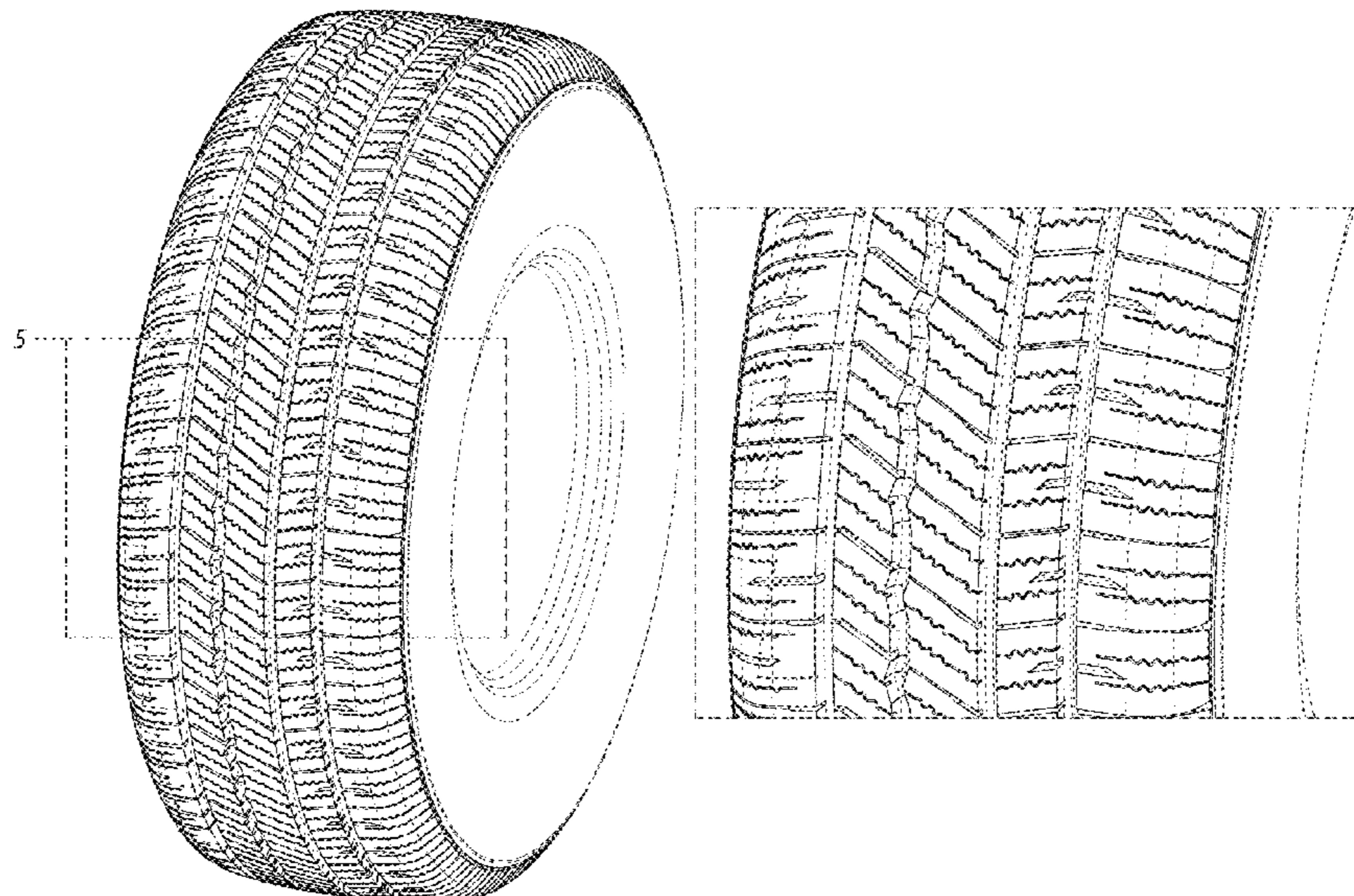
(57) **CLAIM**

The ornamental design for a tire tread, as shown and described.

DESCRIPTION

FIG. 1 is a perspective view of a tire tread, showing my new design;
 FIG. 2 is a front view thereof;
 FIG. 3 is a side view thereof;
 FIG. 4 is an opposite side view thereof;
 FIG. 5 is an enlarged perspective view of a section of the tire tread defined by lines 5-5 in FIG. 1;
 FIG. 6 is an enlarged front view of a section of the tire tread as defined by lines 6-6 in FIG. 2;
 FIG. 7 is an enlarged side view of a section of the tire tread as defined by lines 7-7 in FIG. 3; and,
 FIG. 8 is an enlarged side view of a section of the tire tread as defined by lines 8-8 in FIG. 4.
 The broken lines in FIGS. 1-8 show portions of the tire tread or tire which form no part of the claimed design.
 The dash-dash dot lines on either side of the tire tread section in FIGS. 5-8 are for the purpose of illustrating the boundary of the claimed design and form no part thereof.

1 Claim, 8 Drawing Sheets



(56)

References Cited

U.S. PATENT DOCUMENTS

D779,409	S	*	2/2017	Zhang	D12/501
D782,958	S	*	4/2017	Sareen	D12/519
D785,545	S	*	5/2017	Nakajima	D12/521
D786,177	S	*	5/2017	Schoeppner	D12/521
D797,649	S		9/2017	Bucher et al.	
D797,650	S		9/2017	Bucher et al.	
D798,800	S		10/2017	Davis et al.	
D800,636	S		10/2017	Morita	
D816,021	S		4/2018	Hiser	
D819,546	S		6/2018	Suzuki et al.	
D819,555	S		6/2018	Schimmoeller, Jr.	
9,994,077	B2		6/2018	Wakizono	
D823,232	S		7/2018	Bode et al.	
D826,841	S		8/2018	Kujime	
D829,639	S	*	10/2018	Leocadio	D12/521
D848,350	S		5/2019	Perrier et al.	
D859,287	S		9/2019	Behr	
D862,369	S	*	10/2019	Pribula	D12/521
D872,008	S		1/2020	Lamb	
D873,206	S	*	1/2020	Uphouse	D12/517
D879,705	S	*	3/2020	Hashimoto	D12/527
D884,579	S	*	5/2020	Hashimoto	D12/527
D886,724	S	*	6/2020	Fox	D12/595
2017/0341472	A1	*	11/2017	Nakajima	B60C 11/0304
2018/0333991	A1	*	11/2018	Oda	B60C 11/1236

* cited by examiner

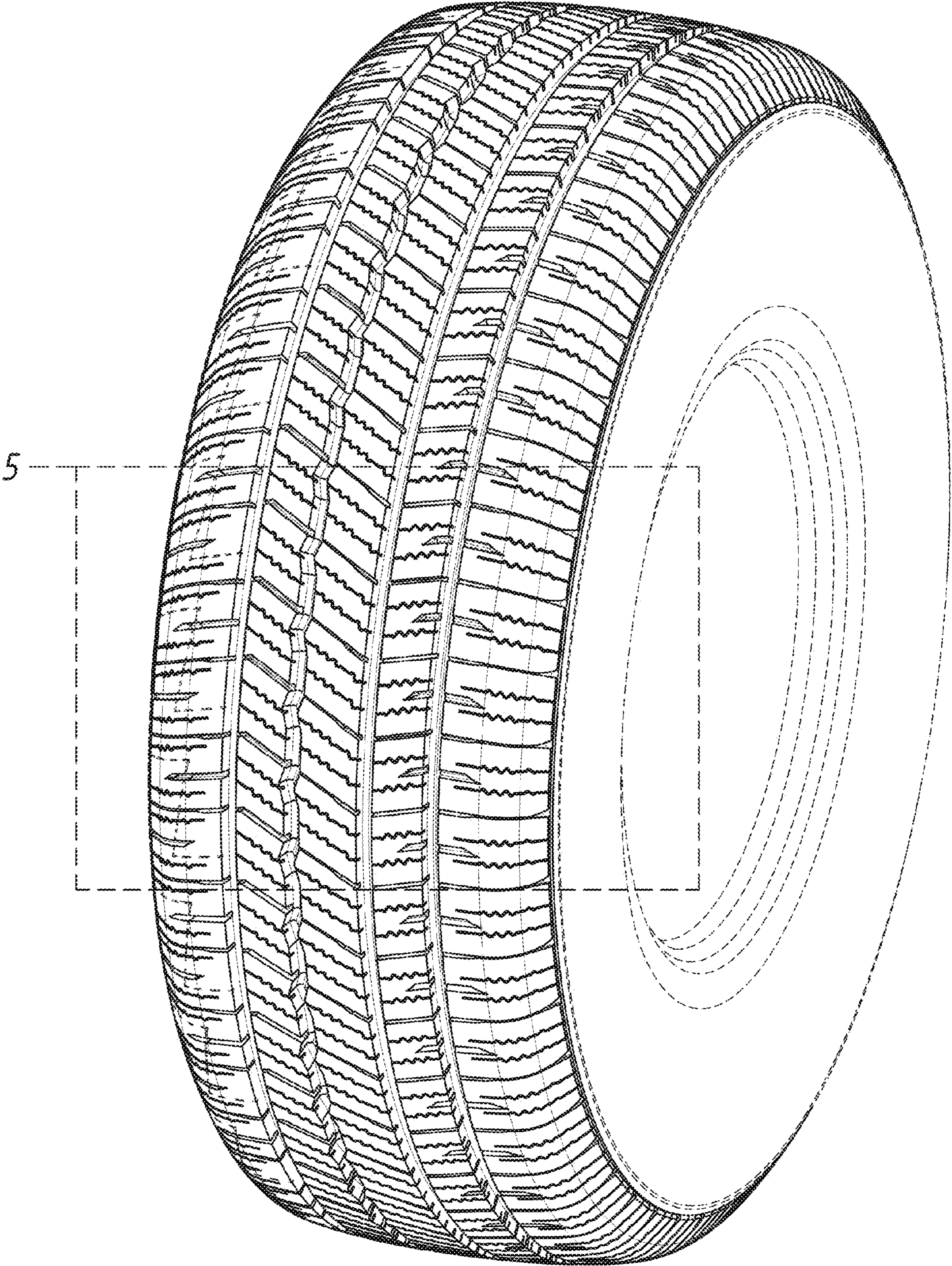


FIG. 1

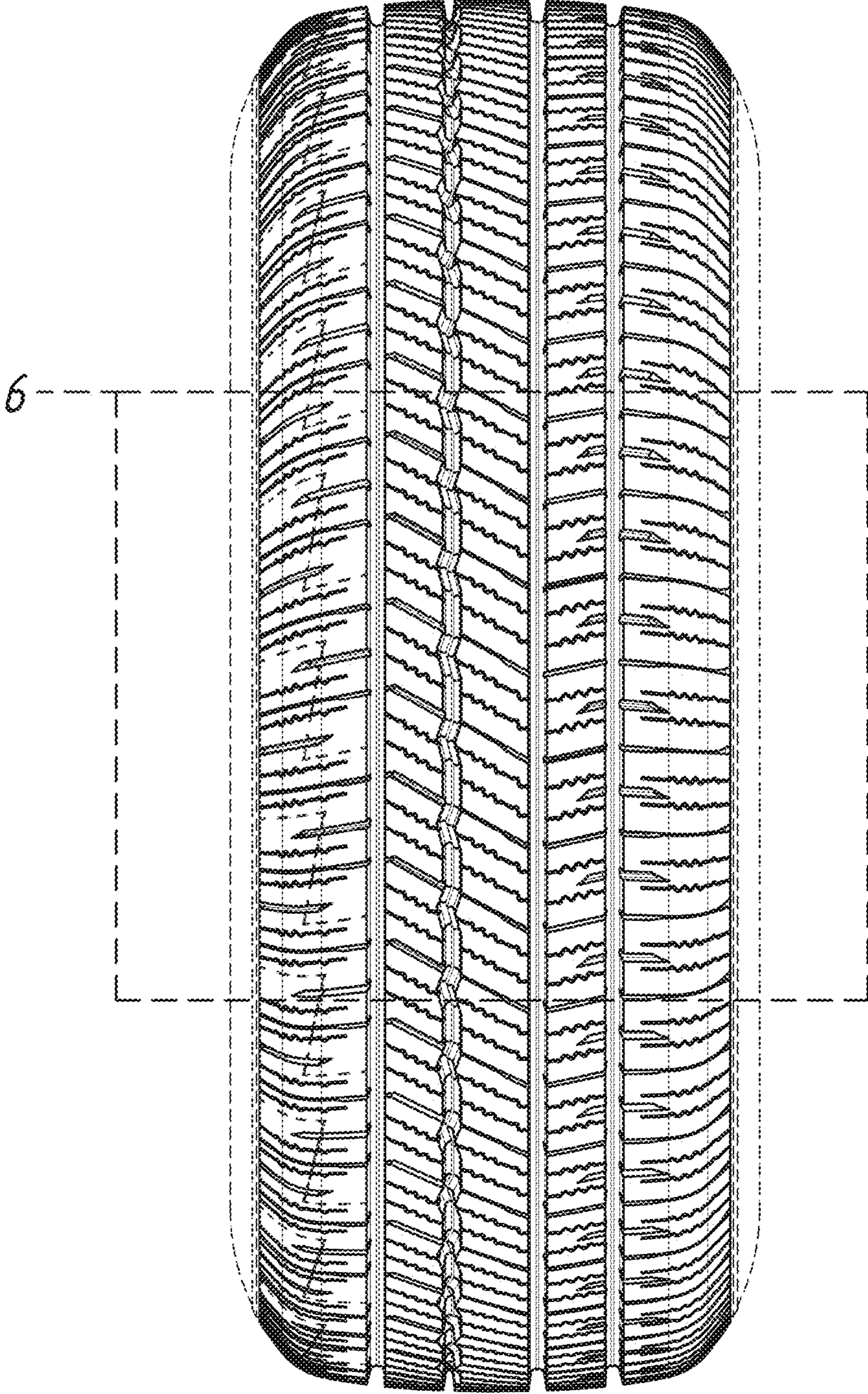


FIG. 2

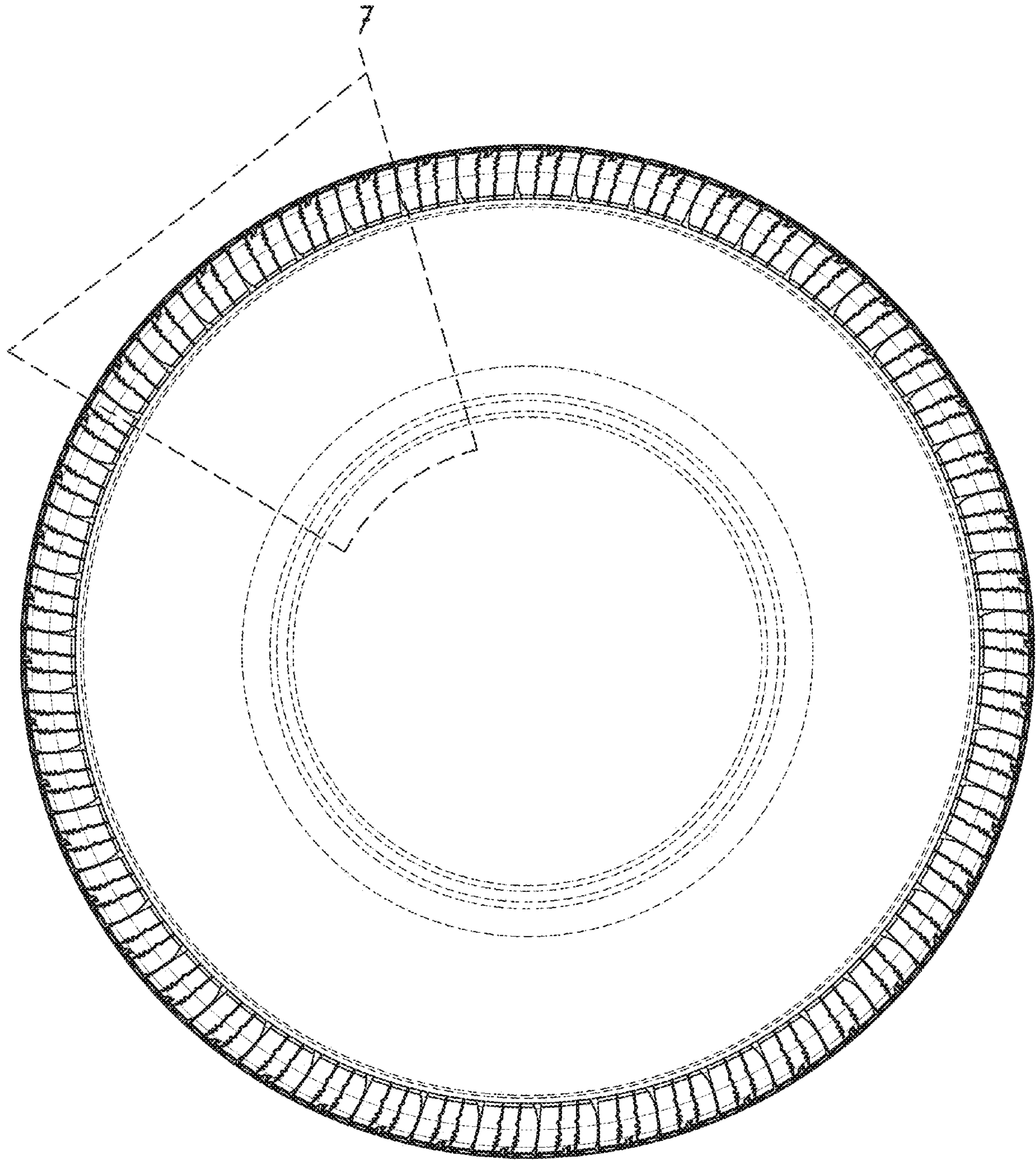


FIG. 3

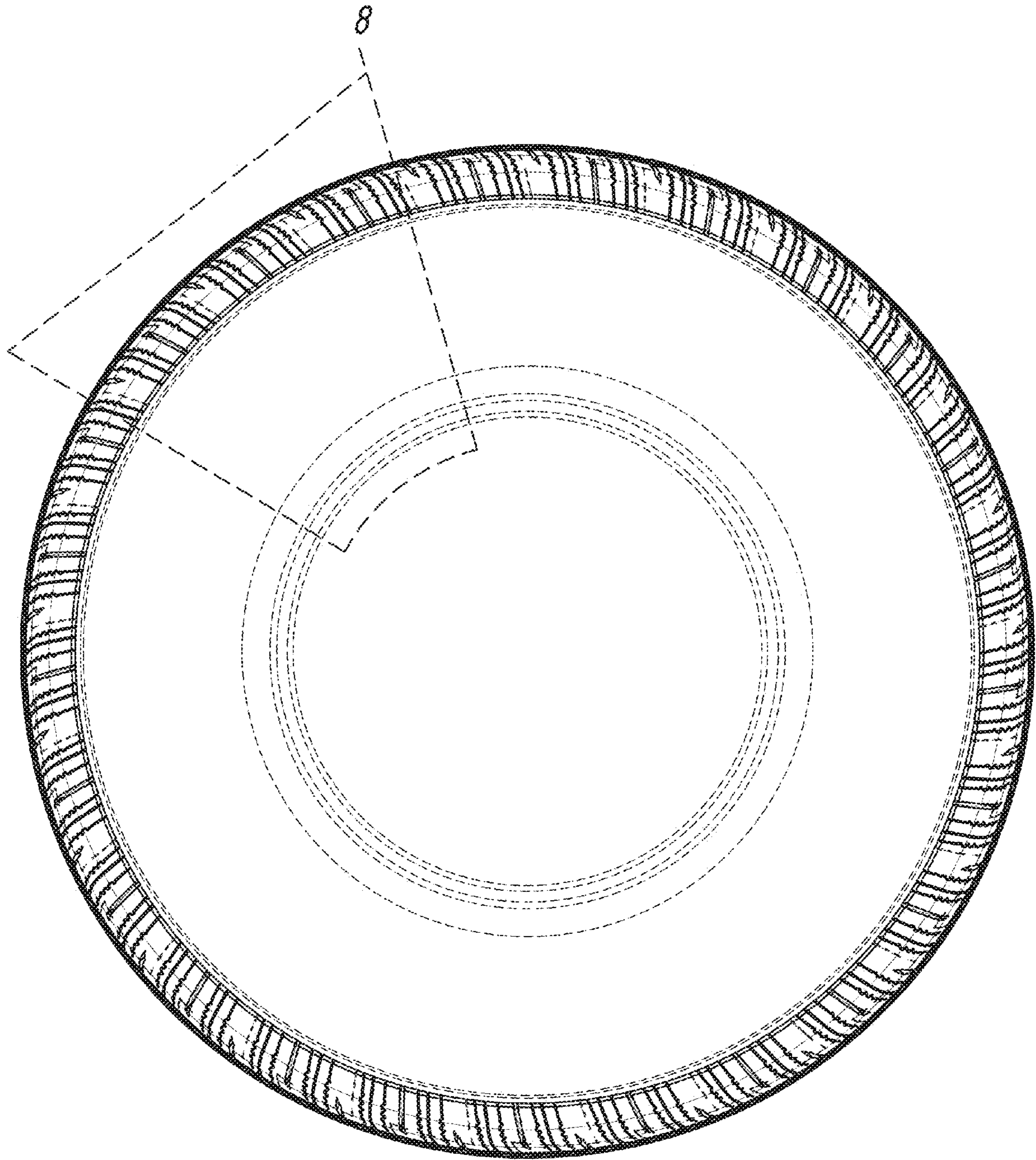


FIG. 4

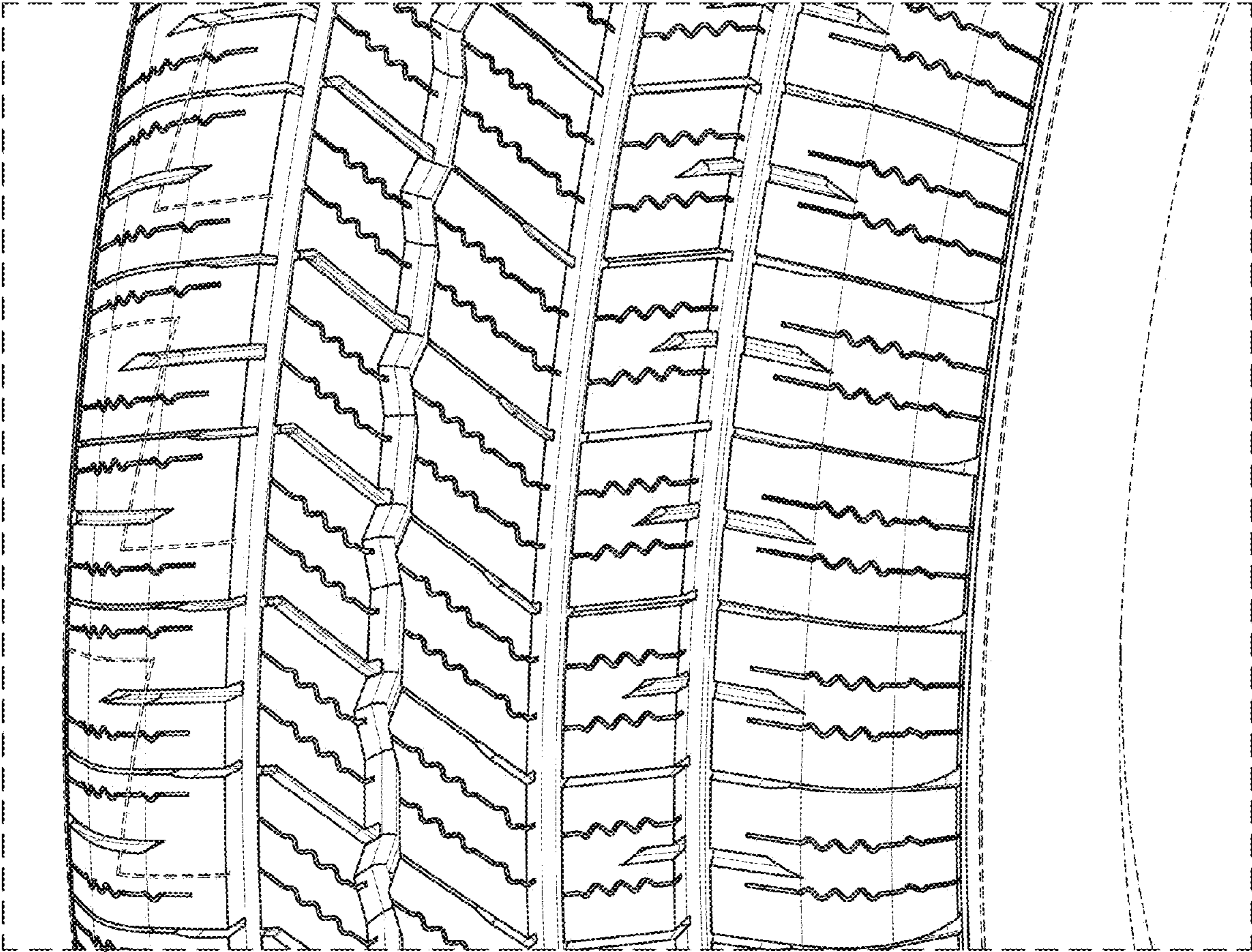


FIG. 5

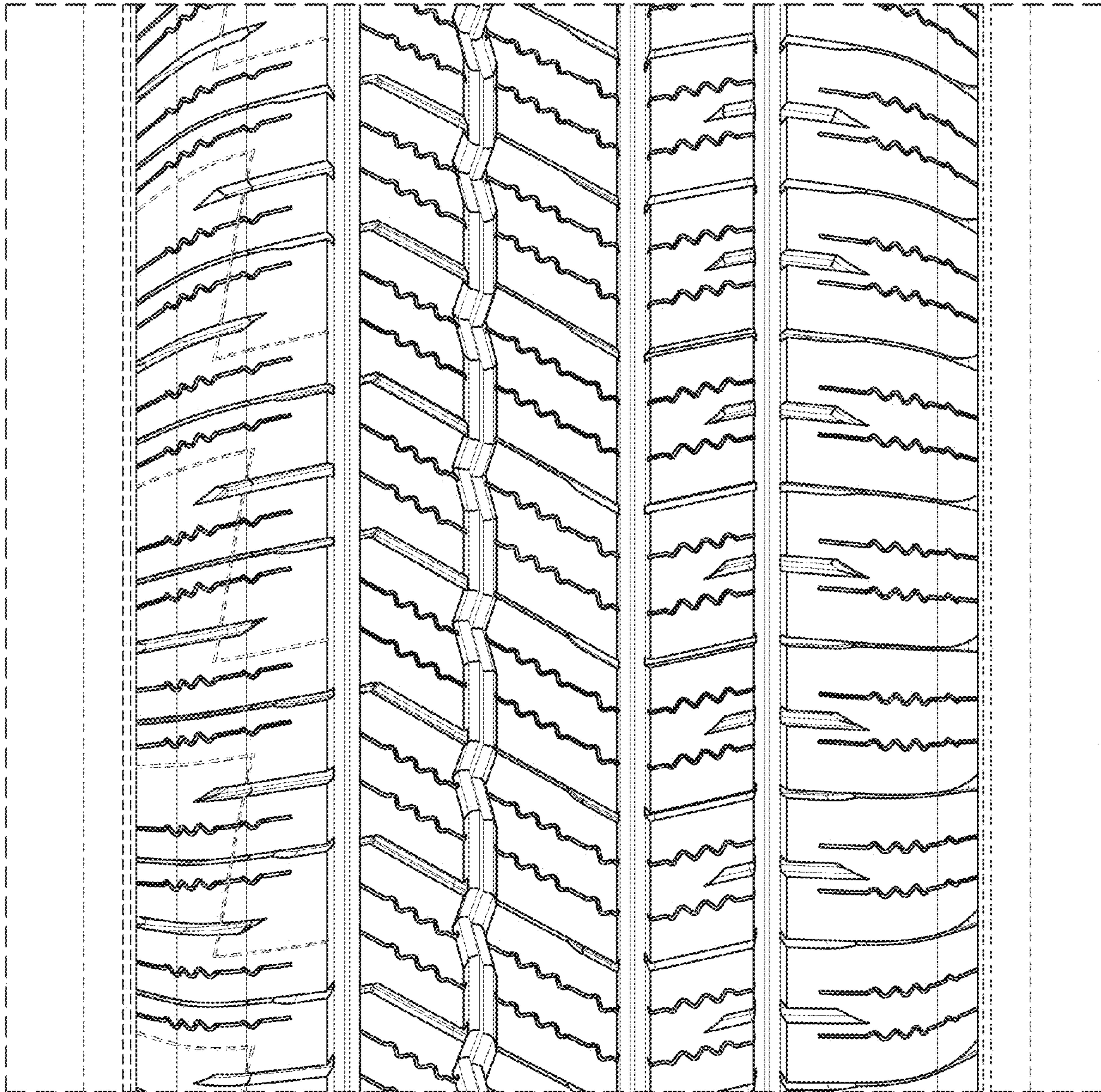


FIG. 6

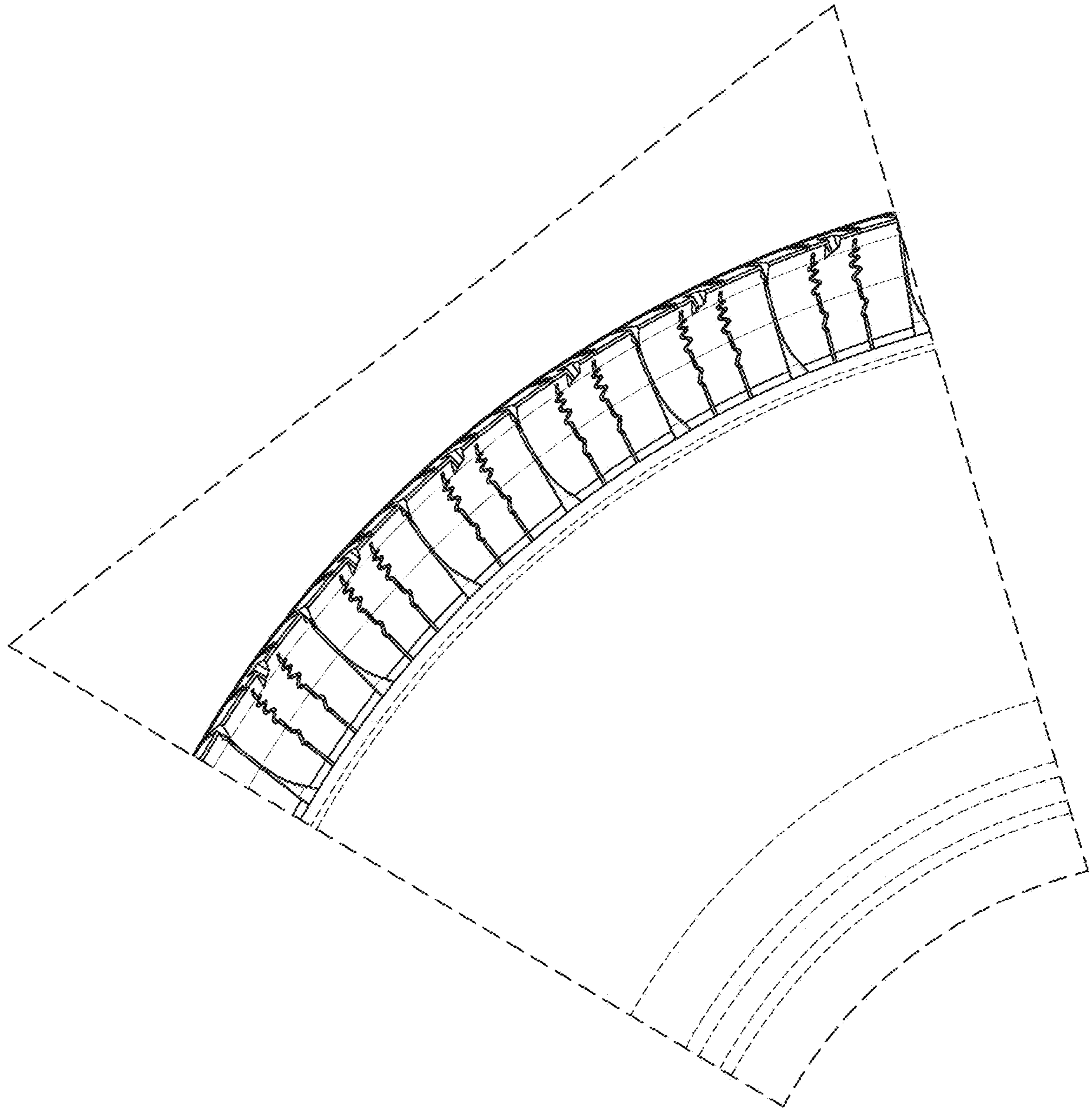


FIG. 7

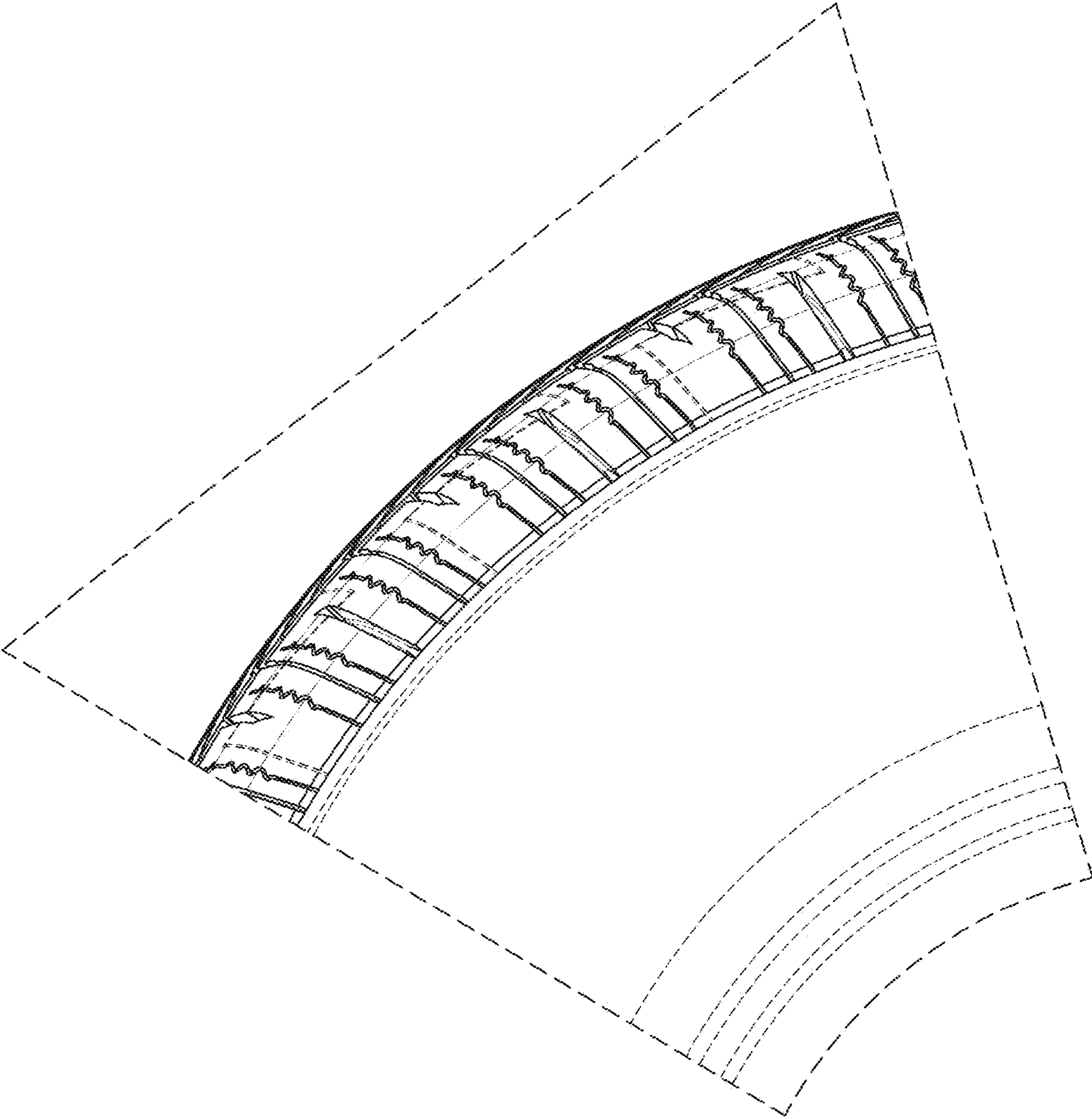


FIG. 8