



US00D913198S

(12) **United States Design Patent**
Sethapun et al.

(10) **Patent No.:** **US D913,198 S**
(45) **Date of Patent:** **** Mar. 16, 2021**

(54) **GALLEY UPPER FOR AN AIRCRAFT**

FOREIGN PATENT DOCUMENTS

(71) Applicant: **Gulfstream Aerospace Corporation**,
Savannah, GA (US)

WO 03097973 A1 11/2003

* cited by examiner

(72) Inventors: **Kevin Sethapun**, Savannah, GA (US);
Timothy O'Hara, Savannah, GA (US)

Primary Examiner — Abraham Bahta

(74) *Attorney, Agent, or Firm* — LKGlobal | Lorenz &
Kopf, LLP

(73) Assignee: **Gulfstream Aerospace Corporation**,
Savannah, GA (US)

(57) **CLAIM**

(**) Term: **15 Years**

The ornamental design for a galley upper for an aircraft, as
shown and described.

(21) Appl. No.: **29/700,229**

DESCRIPTION

(22) Filed: **Jul. 31, 2019**

(51) **LOC (13) Cl.** **12-16**

(52) **U.S. Cl.**
USPC **D12/415**

(58) **Field of Classification Search**
USPC D12/415, 345, 419, 423, 195, 190;
296/145; 244/118.5

CPC B64D 11/00; B64D 11/04; B64D 11/0691;
B64D 11/0007; B64D 13/00; B64D 13/08
See application file for complete search history.

FIG. 1 is a perspective view of a galley upper for an aircraft
showing our new design;

FIG. 2 is a front view thereof;

FIG. 3 is a first side view thereof;

FIG. 4 is a second side view thereof;

FIG. 5 is a top view thereof;

FIG. 6 is a bottom view thereof; and,

FIG. 7 is a perspective environment of a galley including the
galley upper of FIG. 1.

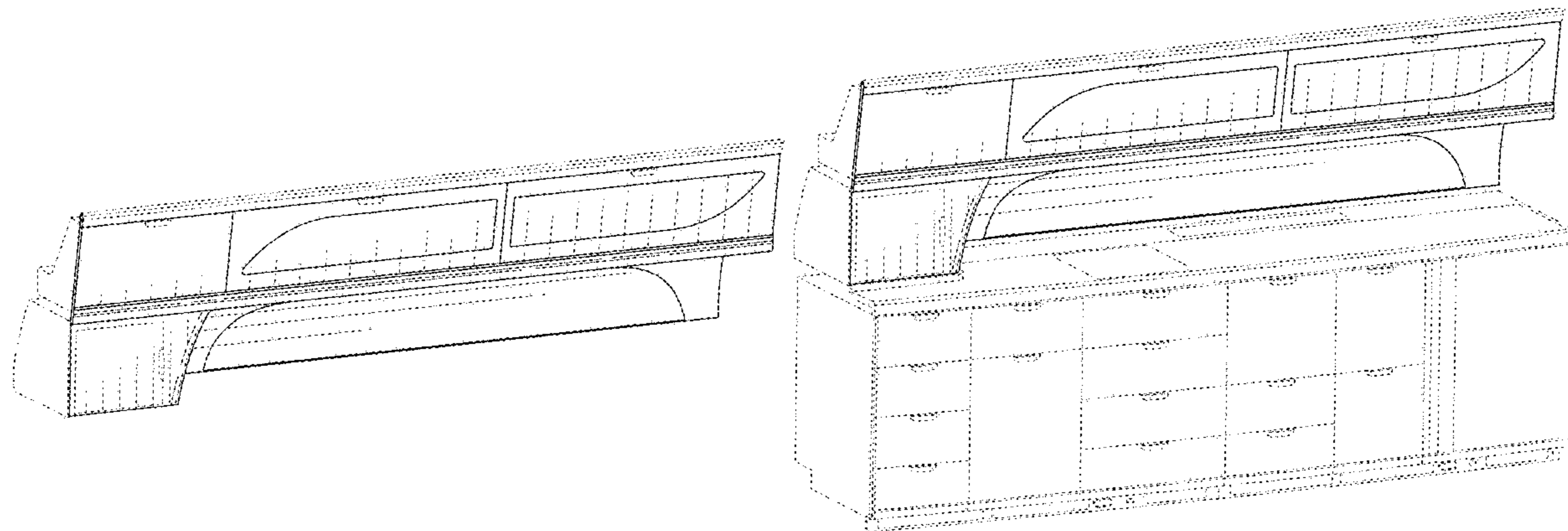
The solid lines illustrate features that form part of the
claimed design. The broken lines illustrate structure and
environment that form no part of the claimed design. The
back view of the galley upper forms no part of the claimed
design.

(56) **References Cited**

U.S. PATENT DOCUMENTS

D529,432 S * 10/2006 Boren D12/345
10,124,896 B2 * 11/2018 Sieben B64D 11/04

1 Claim, 5 Drawing Sheets



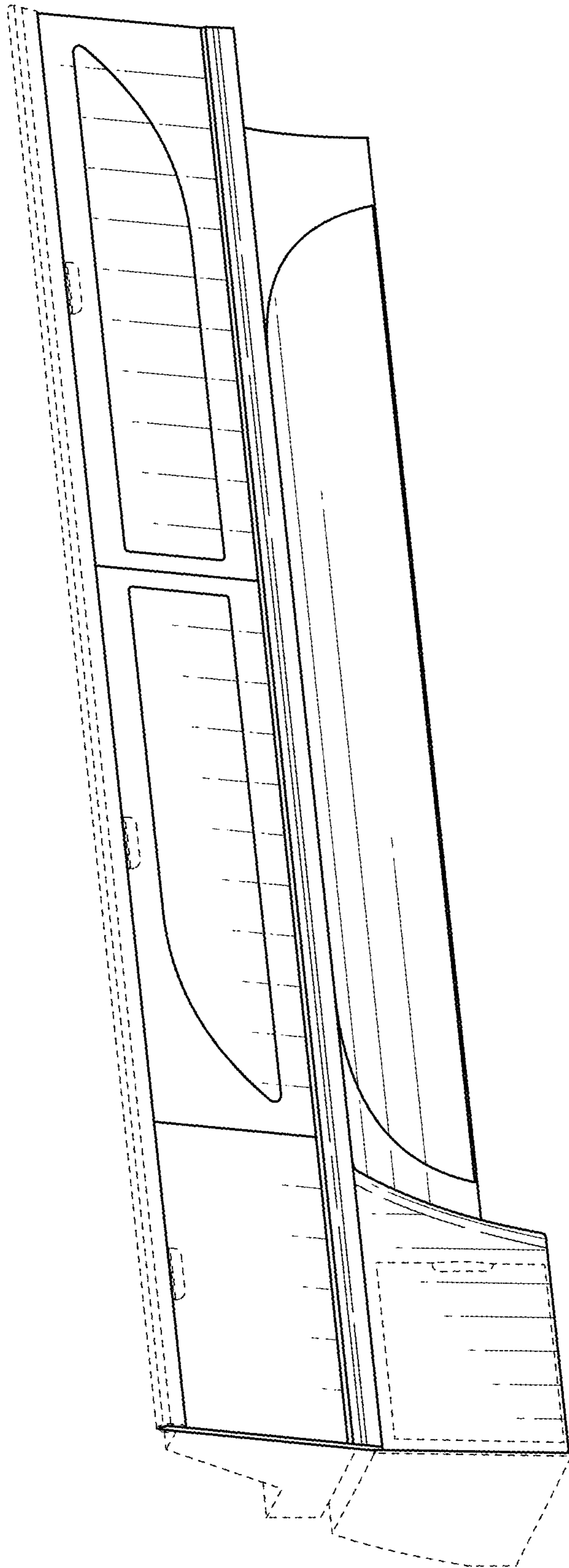


FIG. 1

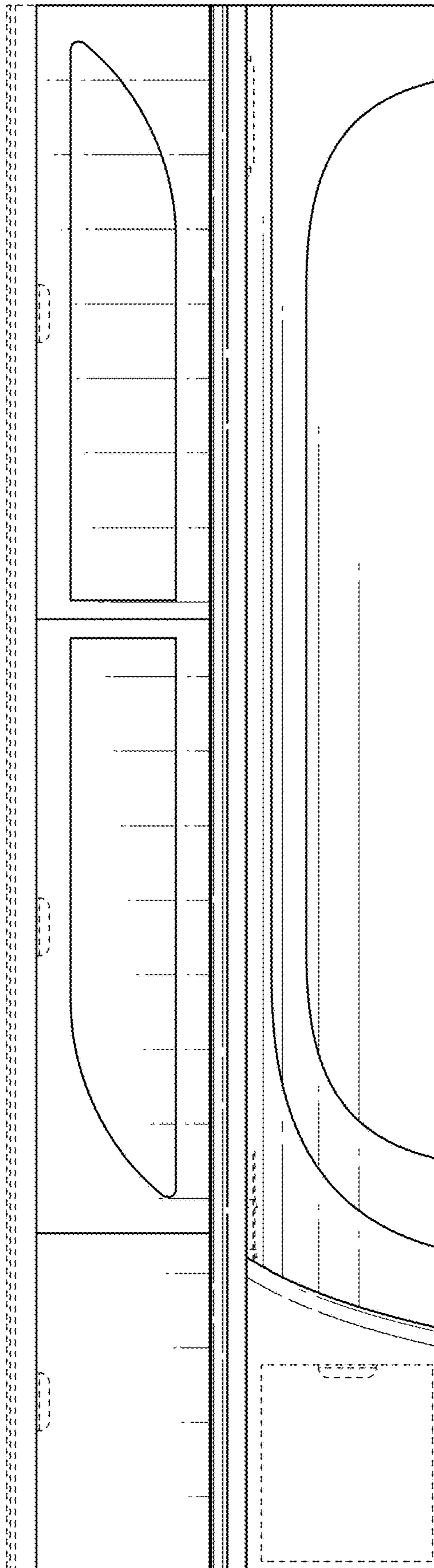


FIG. 2

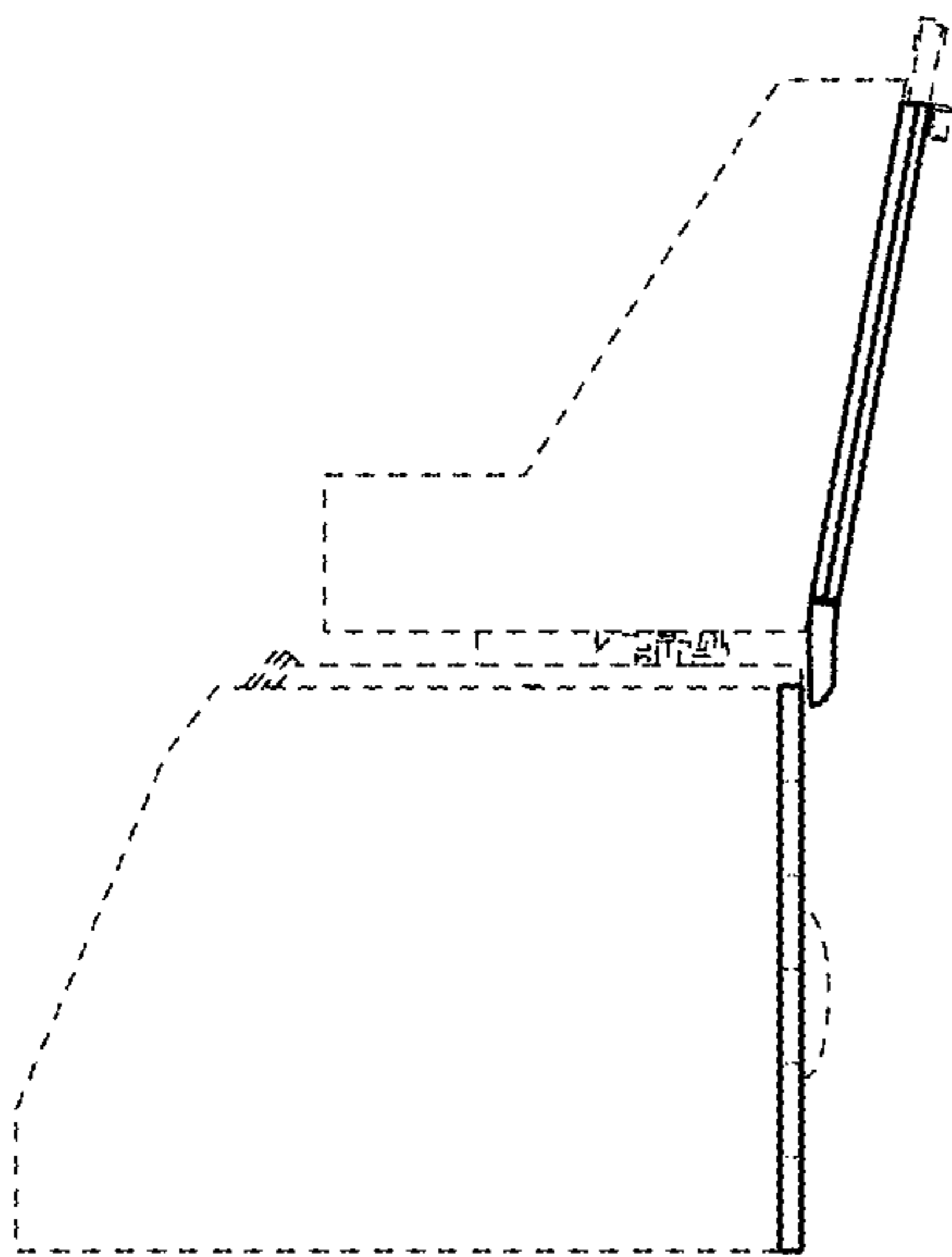


FIG. 3



FIG. 4

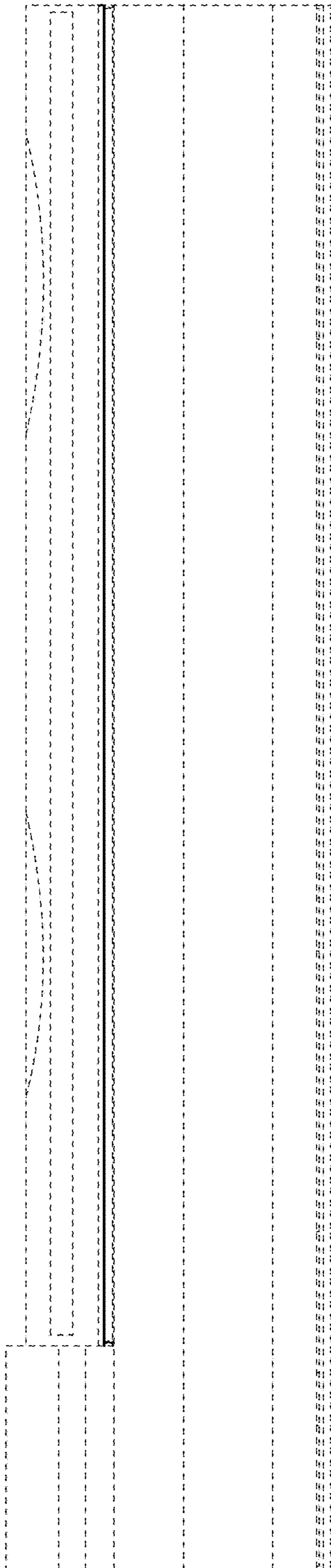


FIG. 5

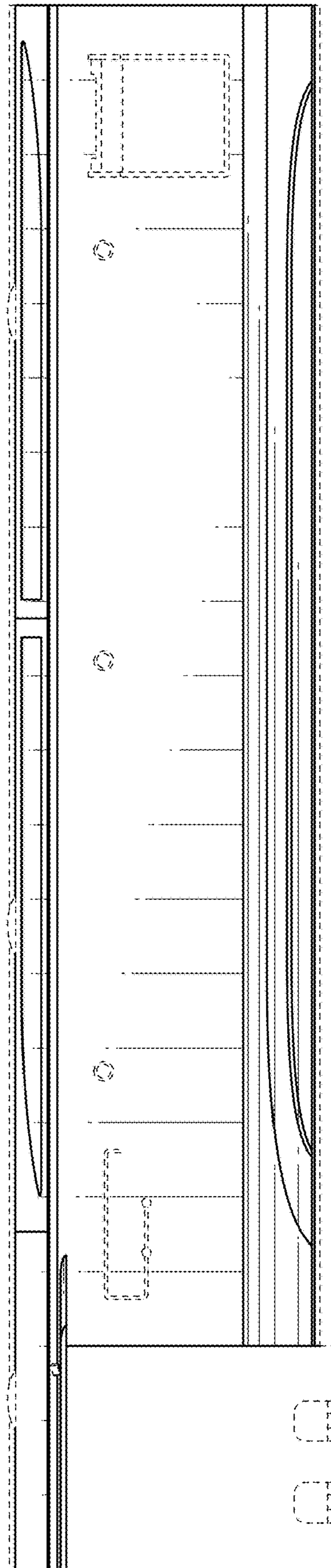


FIG. 6

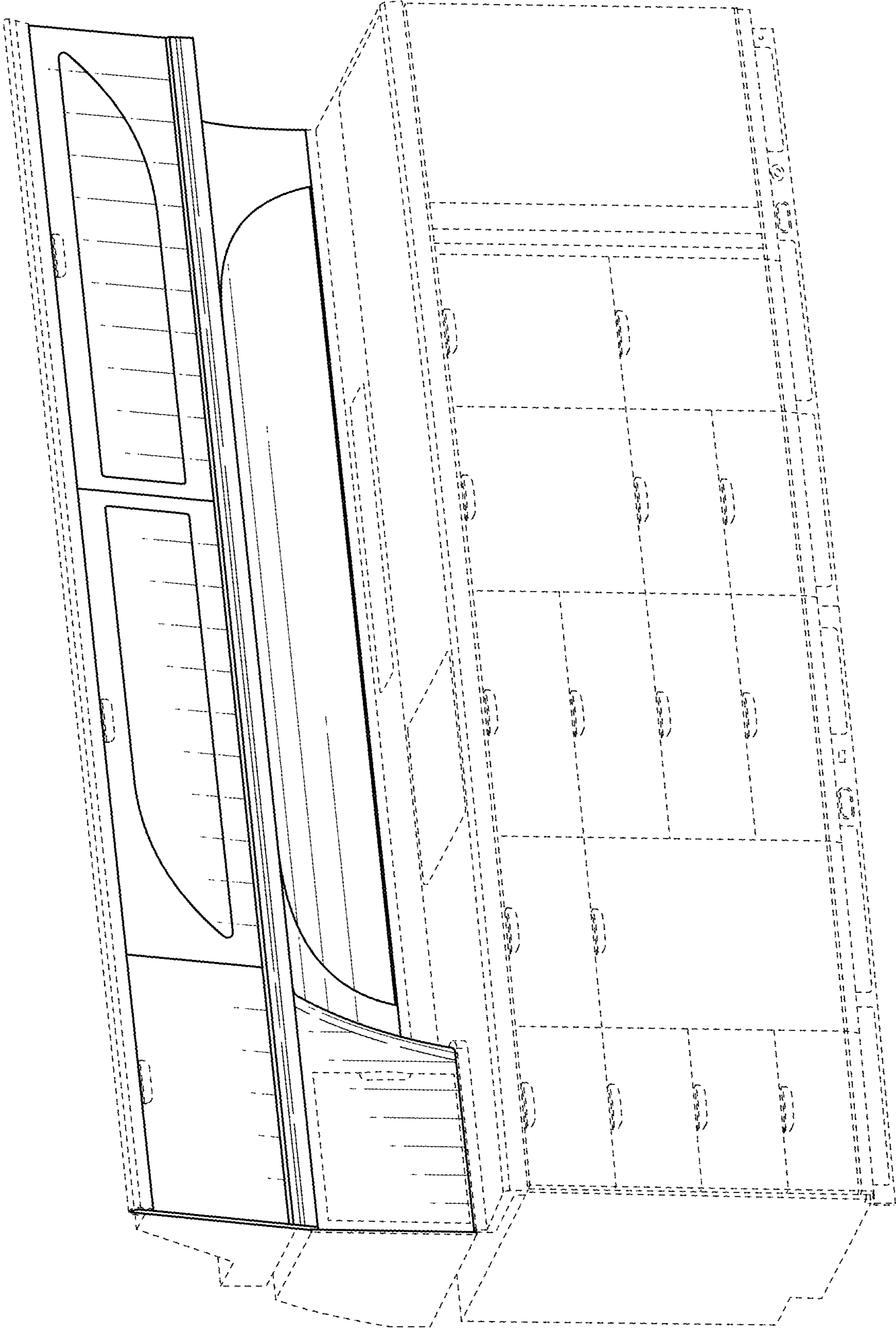


FIG. 7