



US00D913196S

(12) **United States Design Patent**
Morrison et al.

(10) **Patent No.:** **US D913,196 S**
(45) **Date of Patent:** **** Mar. 16, 2021**

- (54) **AIRCRAFT MOON ROOF**
- (71) Applicant: **Alakai Technologies Corporation**,
Hopkinton, MA (US)
- (72) Inventors: **Brian D. Morrison**, Hopkinton, MA
(US); **Andre H. De Salis**, Pasadena,
CA (US); **Martti J. Lampela**, Los
Angeles, CA (US); **Adil M. Ali**,
Thousand Oaks, CA (US); **Peter F.**
Falt, Thousand Oaks, CA (US)
- (73) Assignee: **Alakai Technologies Corporation**,
Hopkinton, MA (US)
- (**) Term: **15 Years**
- (21) Appl. No.: **29/692,507**
- (22) Filed: **May 24, 2019**
- (51) **LOC (13) Cl.** **12-07**
- (52) **U.S. Cl.**
USPC **D12/345**
- (58) **Field of Classification Search**
USPC D12/1, 2, 3, 4, 16.1, 174, 196, 319-345,
D12/404, 405; D15/436-455; D13/109
CPC B64C 29/0033; B64C 2201/021; B64C
29/02; B64C 2201/088; B64C 2201/104;
B64C 2201/141
See application file for complete search history.

D525,747 S *	7/2006	Robinson	D28/56
D616,150 S *	5/2010	Tran	D28/56
D648,487 S *	11/2011	Demaree	D28/56
D693,759 S *	11/2013	Hill	D12/404
D772,991 S *	11/2016	Caubel	D21/441
D785,542 S *	5/2017	Patel	D12/404
D816,547 S *	5/2018	Cui	D12/16.1
D819,542 S *	6/2018	Hamlin	D12/404
D854,967 S *	7/2019	Yu	D12/16.1
D856,261 S *	8/2019	Beckles	D12/404
D864,086 S *	10/2019	Breece	D12/404
D873,202 S *	1/2020	Tzarnotzky	D12/329
2006/0238318 A1 *	10/2006	Brouwer	B60R 1/12 340/435
2008/0289646 A1 *	11/2008	Fracassi	A45D 31/00 132/200
2012/0006347 A1 *	1/2012	Jordan	A45D 29/001 132/73
2012/0043413 A1 *	2/2012	Smith	B64C 29/0033 244/12.4

* cited by examiner

Primary Examiner — John A Voytek

(74) *Attorney, Agent, or Firm* — Morse, Barnes-Brown &
Pendleton, P.C.; Sean D. Detweiler, Esq.

(57) **CLAIM**

The ornamental design for an aircraft moon roof, as shown
and described.

DESCRIPTION

FIG. 1 is a left side plan view of the aircraft moon roof; and,
FIG. 2 is a front right isometric elevated view of the aircraft
moon roof.

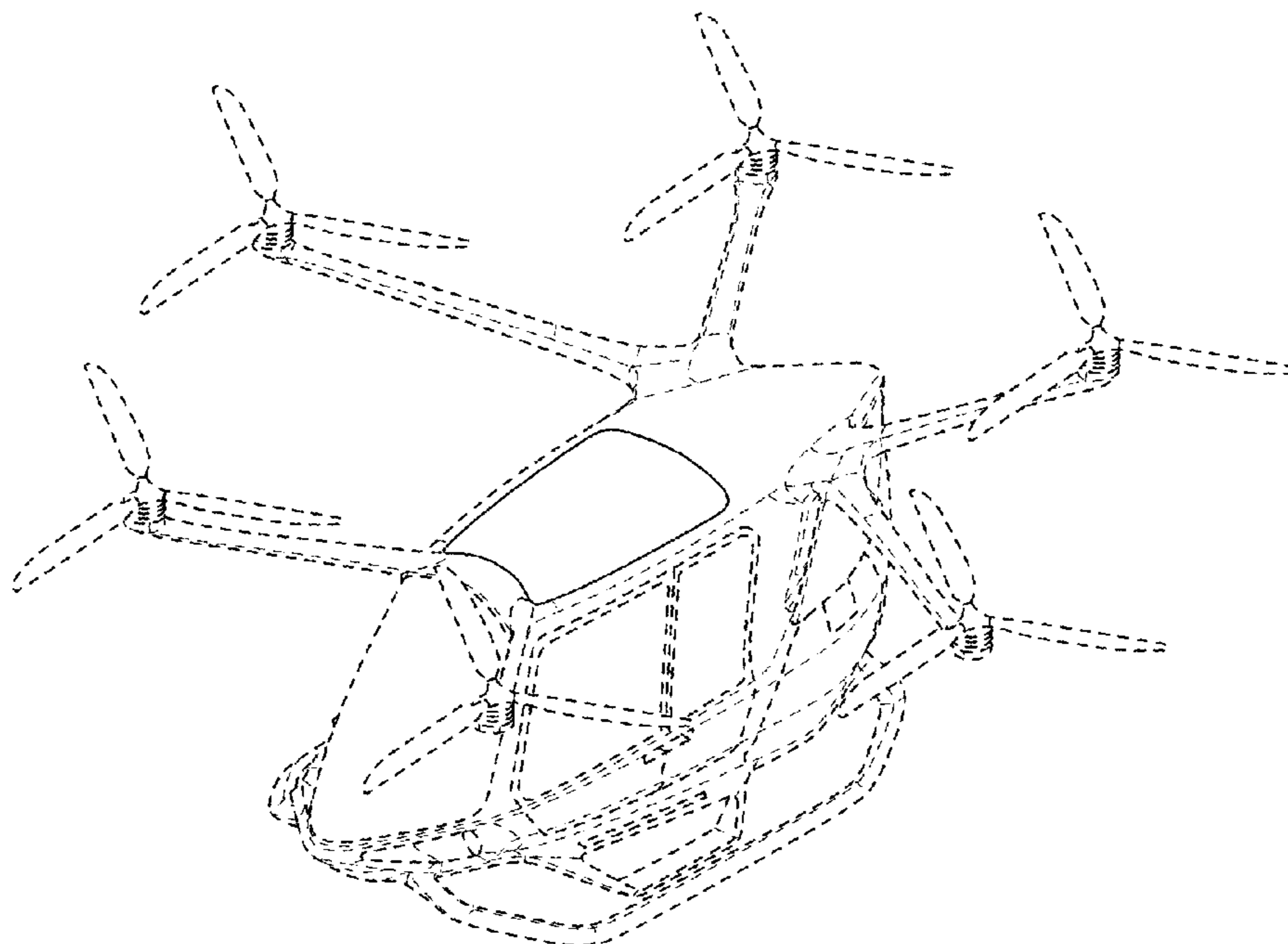
The broken line showing of the aircraft is for the purpose of
illustrating the environmental structure in which the claimed
elements are found and forms no part of the claimed design.

1 Claim, 2 Drawing Sheets

(56) **References Cited**

U.S. PATENT DOCUMENTS

D299,878 S *	2/1989	Wienslaw	D28/56
D325,366 S *	4/1992	Mansberger	D12/404
D438,840 S *	3/2001	Dowdey	D12/404
D500,893 S *	1/2005	Chang	D28/56



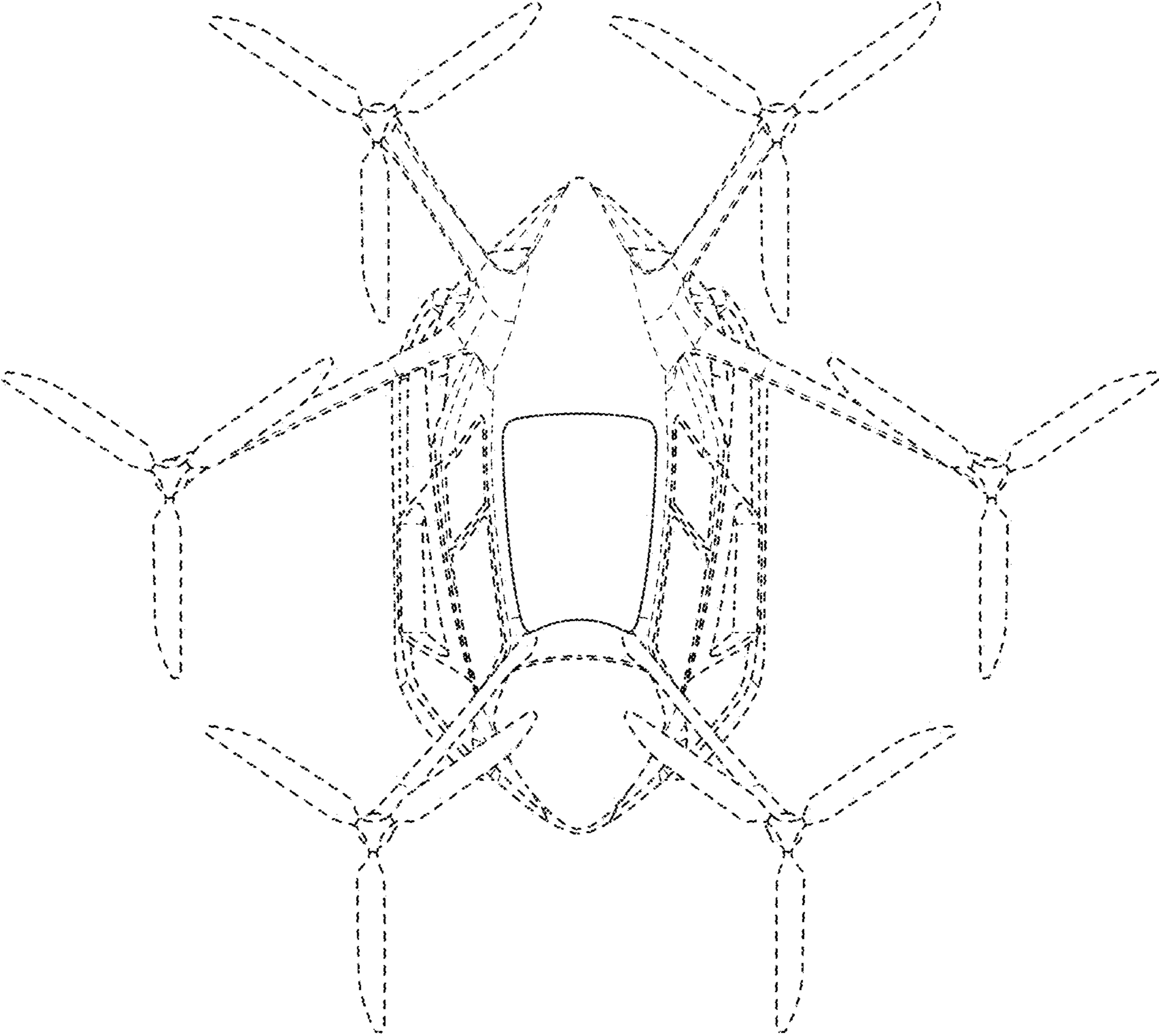


Fig. 1

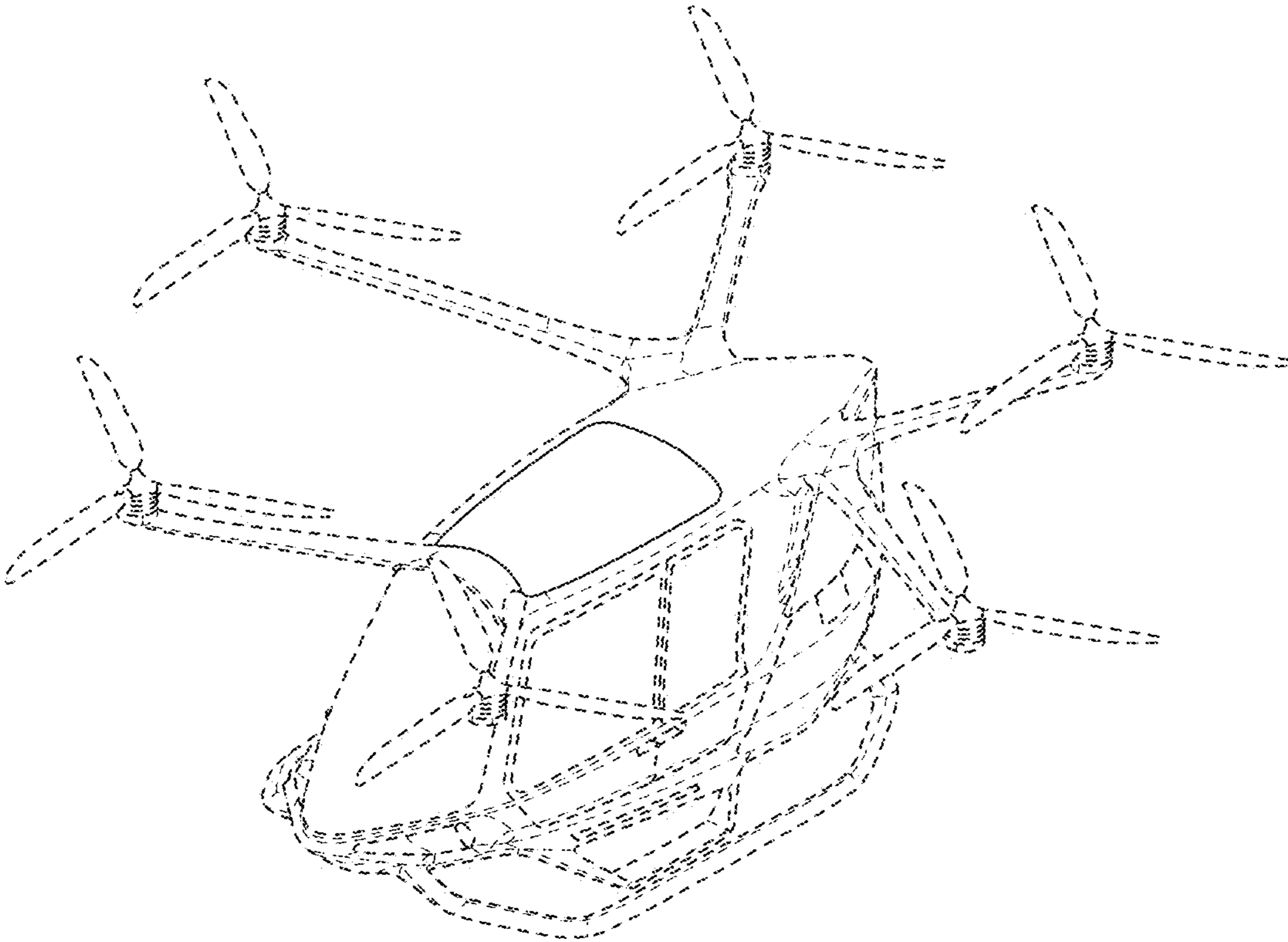


Fig. 2