



US00D913193S

(12) **United States Design Patent**
Xu et al.

(10) **Patent No.:** **US D913,193 S**
(45) **Date of Patent:** **** Mar. 16, 2021**

- (54) **UNMANNED AERIAL VEHICLE**
- (71) Applicant: **GUANGZHOU XAIRCRAFT TECHNOLOGY CO., LTD.**,
Guangzhou (CN)
- (72) Inventors: **Zhiqin Xu**, Guangzhou (CN); **Dingfeng Xiao**, Guangzhou (CN)
- (73) Assignee: **GUANGZHOU XAIRCRAFT TECHNOLOGY CO., LTD.**,
Guangzhou (CN)
- (**) Term: **15 Years**
- (21) Appl. No.: **29/686,782**
- (22) Filed: **Apr. 8, 2019**
- (30) **Foreign Application Priority Data**
Dec. 13, 2018 (CN) 201830724083.8
- (51) **LOC (13) Cl.** **12-01**
- (52) **U.S. Cl.**
USPC **D12/328**
- (58) **Field of Classification Search**
USPC D12/1, 2, 3, 4, 16.1, 174, 319–345;
D15/436–455; D13/109
CPC B64C 29/0033; B64C 2201/021; B64C
29/02; B64C 2201/088; B64C 2201/104;
B64C 2201/141
See application file for complete search history.

- (56) **References Cited**
U.S. PATENT DOCUMENTS
D768,539 S * 10/2016 Lee D12/16.1
D814,385 S * 4/2018 Zhao D12/328
D816,582 S * 5/2018 Liang D12/328
D831,538 S * 10/2018 Gan D12/16.1
D875,602 S * 2/2020 Xu D12/16.1
D883,141 S * 5/2020 Lin D12/16.1

- 2016/0236777 A1* 8/2016 Tang B64C 39/024
- 2017/0217599 A1* 8/2017 Peng B64C 25/52
- 2017/0247113 A1* 8/2017 Sanlville B64C 27/08

OTHER PUBLICATIONS

XAG P Series Plant Protection UAS [May 6, 2020] found online [May 6, 2020]—<https://www.xa.com/en/pseries>.
Shenzhen Eagle Brother UAV Innovation Co.,Ltd. reference [May 6, 2020] found online [May 6, 2020]—<https://www.globalsources.com/si/AS/Shenzhen-Eagle/6008852485591/pdtl/Agricultural-Uav-Plant-Protection-Uav-Drones/1152505272.htm>.

* cited by examiner

Primary Examiner — John A Voytek
(74) *Attorney, Agent, or Firm* — Hodgson Russ LLP

(57) **CLAIM**

The ornamental design for an unmanned aerial vehicle, as shown and described.

DESCRIPTION

The file of this patent contains at least one drawing/photograph executed in color. Copies of this patent with color drawing(s)/photograph(s) will be provided by the Office upon request and payment of the necessary fee.
FIG. 1 is a top plan view of an unmanned aerial vehicle, showing our new design;
FIG. 2 is a right side elevation view thereof;
FIG. 3 is a left side elevation view thereof;
FIG. 4 is a front elevation view thereof;
FIG. 5 is a rear elevation view thereof;
FIG. 6 is a rear-top-left perspective view thereof;
FIG. 7 is a front-top-right perspective view thereof; and,
FIG. 8 is a top-right perspective view thereof.

1 Claim, 6 Drawing Sheets
(6 of 6 Drawing Sheet(s) Filed in Color)





Fig. 1

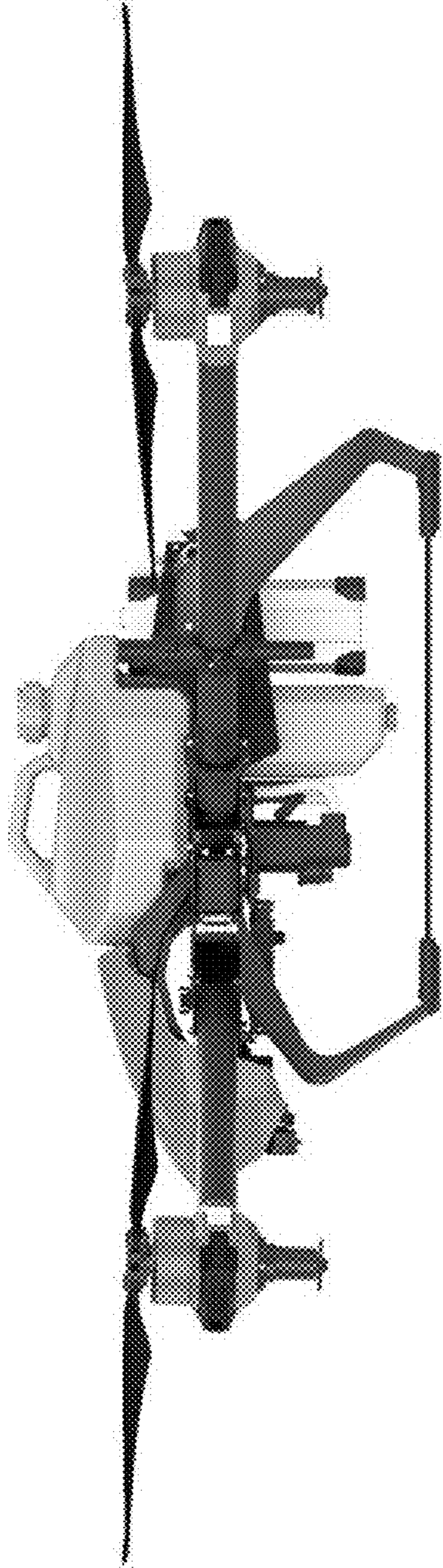


Fig. 2

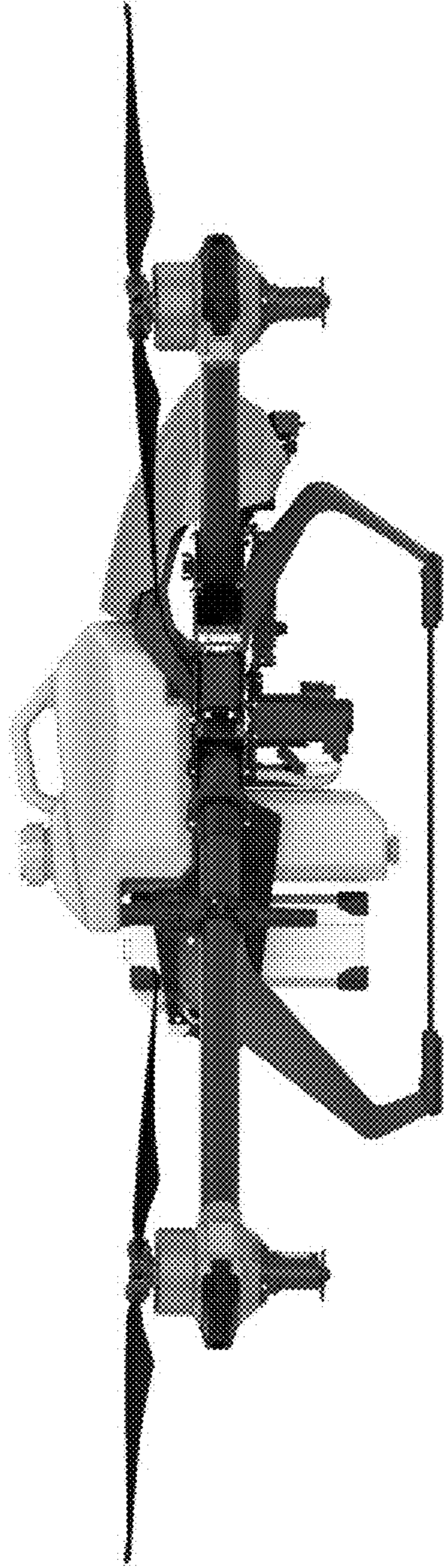


Fig. 3

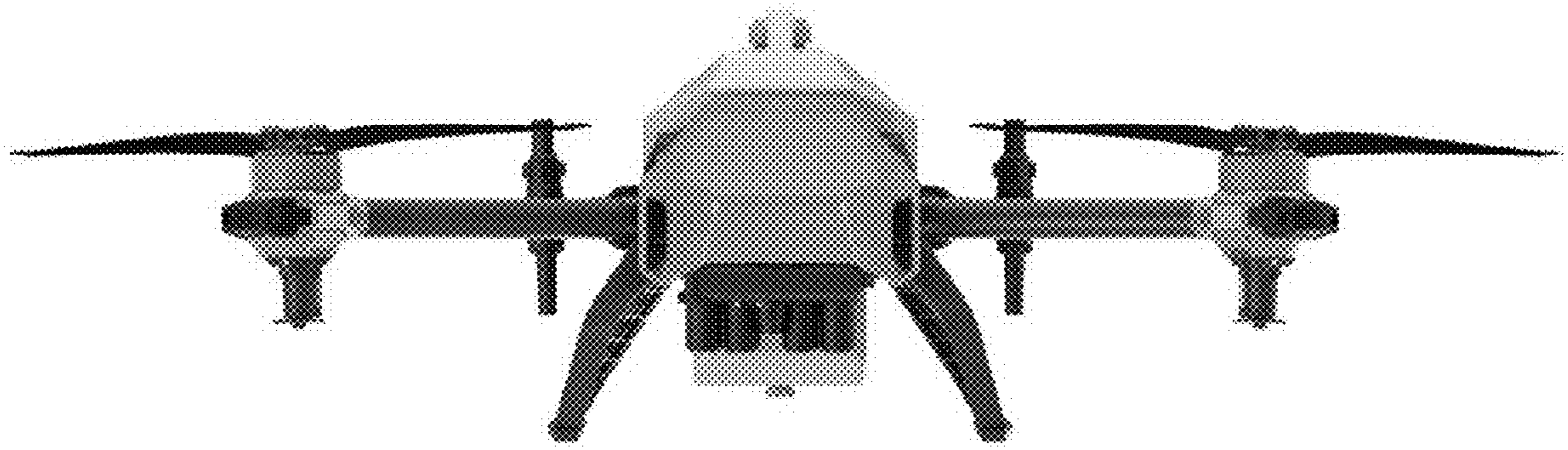


Fig. 4

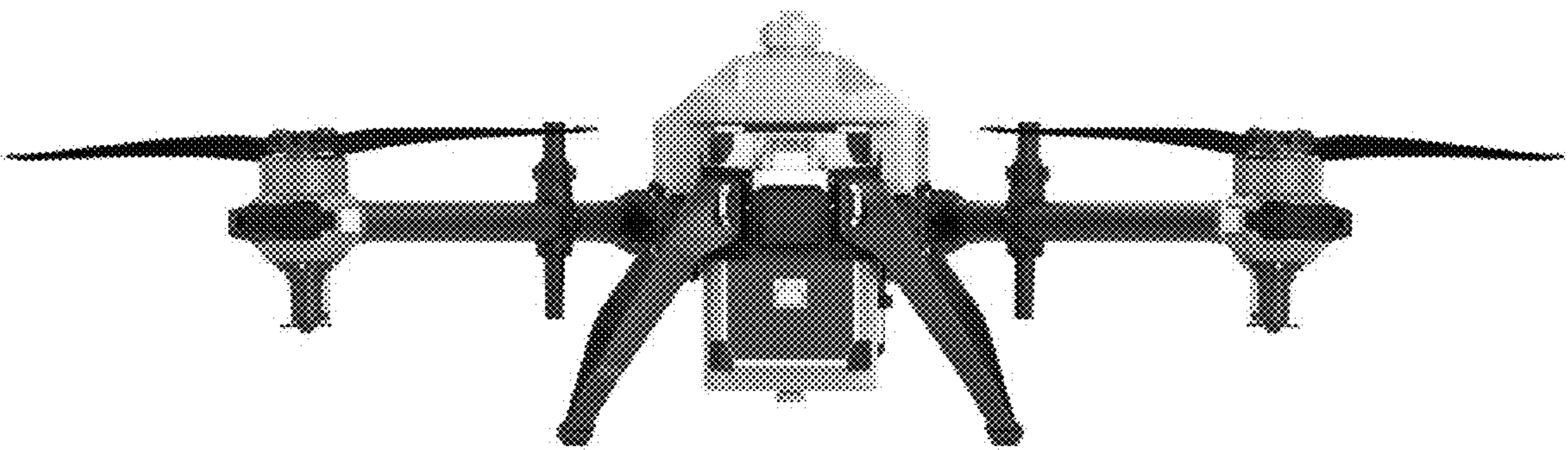


Fig. 5



Fig. 6



Fig. 7

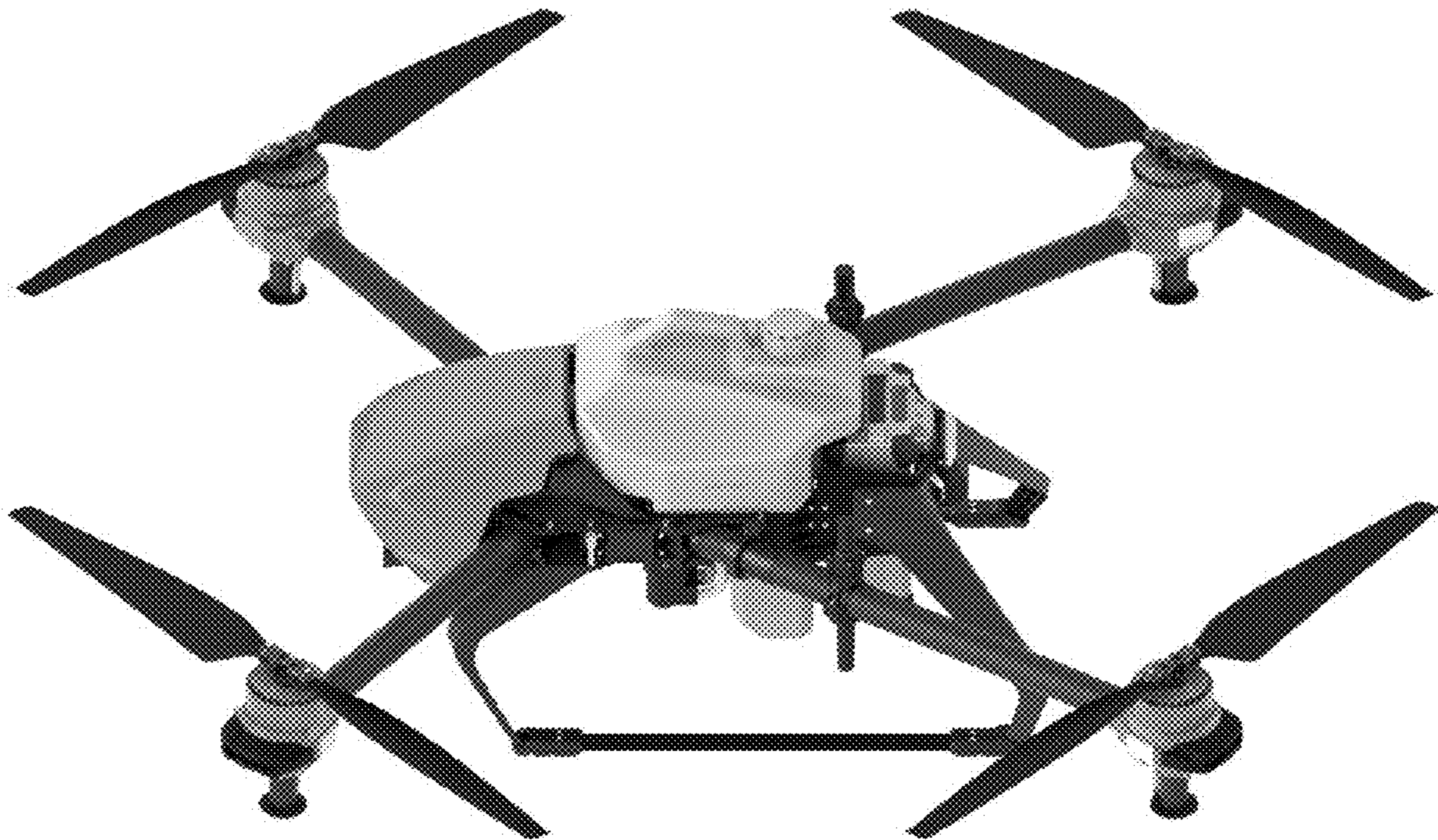


Fig. 8