



US00D913192S

(12) **United States Design Patent**
Peng

(10) **Patent No.:** **US D913,192 S**

(45) **Date of Patent:** **** Mar. 16, 2021**

(54) **HYDROFOIL**

(71) Applicant: **I-Sin Peng**, Taichung (TW)

(72) Inventor: **I-Sin Peng**, Taichung (TW)

(**) Term: **15 Years**

(21) Appl. No.: **29/681,792**

(22) Filed: **Feb. 28, 2019**

(51) **LOC (13) Cl.** **12-06**

(52) **U.S. Cl.**
USPC **D12/317**

(58) **Field of Classification Search**
USPC D12/3, 5, 159, 214, 222, 300, 305, 308,
D12/309, 316, 317, 318, 324
CPC .. B63B 34/40; B63B 1/24; B63B 1/26; B63B
1/28; B63B 32/60; B63B 3/26; B63B
11/00; B63H 7/02; B63H 21/17; B63C
13/00

See application file for complete search history.

(56) **References Cited**

U.S. PATENT DOCUMENTS

D308,851 S * 6/1990 Templeman D12/317
5,048,449 A * 9/1991 Templeman B63H 20/34
114/274
5,127,353 A * 7/1992 Wieser B63H 20/34
114/145 A
D328,732 S * 8/1992 Whitley, II D12/317
5,138,966 A * 8/1992 Whitley, II B63H 20/34
114/274
D363,914 S * 11/1995 Corn D12/317

8,312,831 B2 * 11/2012 Templeman B63B 1/242
114/274
D728,444 S * 5/2015 Corn D12/317
9,573,656 B2 * 2/2017 Templeman B63B 1/24

OTHER PUBLICATIONS

Hydroboat Evo Osculati, www.bottegadelmarinaio.com [online].
Published on or before May 18, 2020, [retrieved on May 18, 2020].
Retrieved from the Internet: <URL:https://www.bottegadelmarinaio.
com/modello/stabilizzatorisostenitori-hydroboat-evo-4200 1> (Year:
2020).*

* cited by examiner

Primary Examiner — Michael A. Pratt

Assistant Examiner — Adam C Mager

(74) *Attorney, Agent, or Firm* — Alan D. Kamrath; Karin
L. Williams; Mayer & Williams PC

(57) **CLAIM**

The ornamental design for a hydrofoil, as shown.

DESCRIPTION

FIG. 1 is a perspective view of a hydrofoil showing my new
design;

FIG. 2 is a front view thereof;

FIG. 3 is a rear view thereof;

FIG. 4 is a left view thereof;

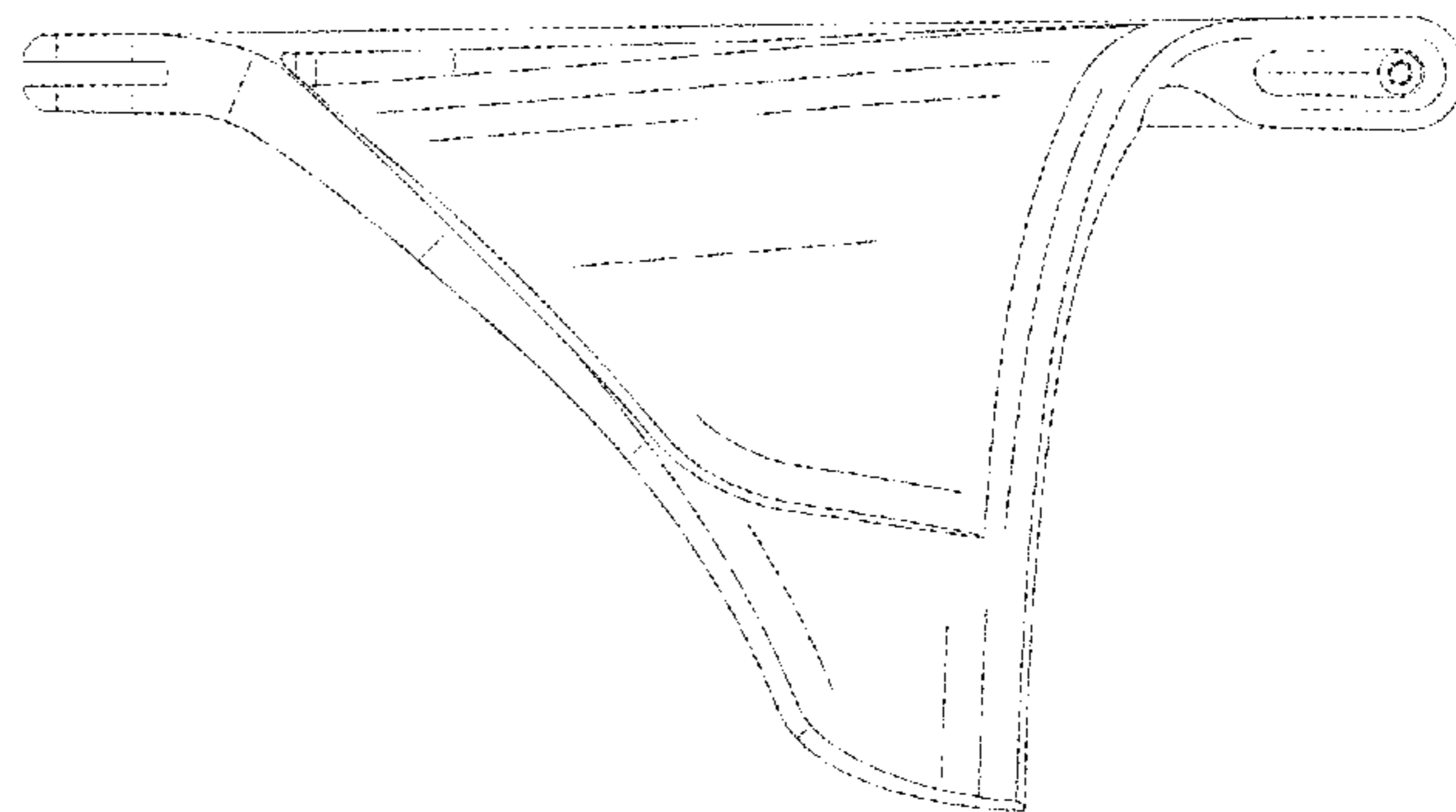
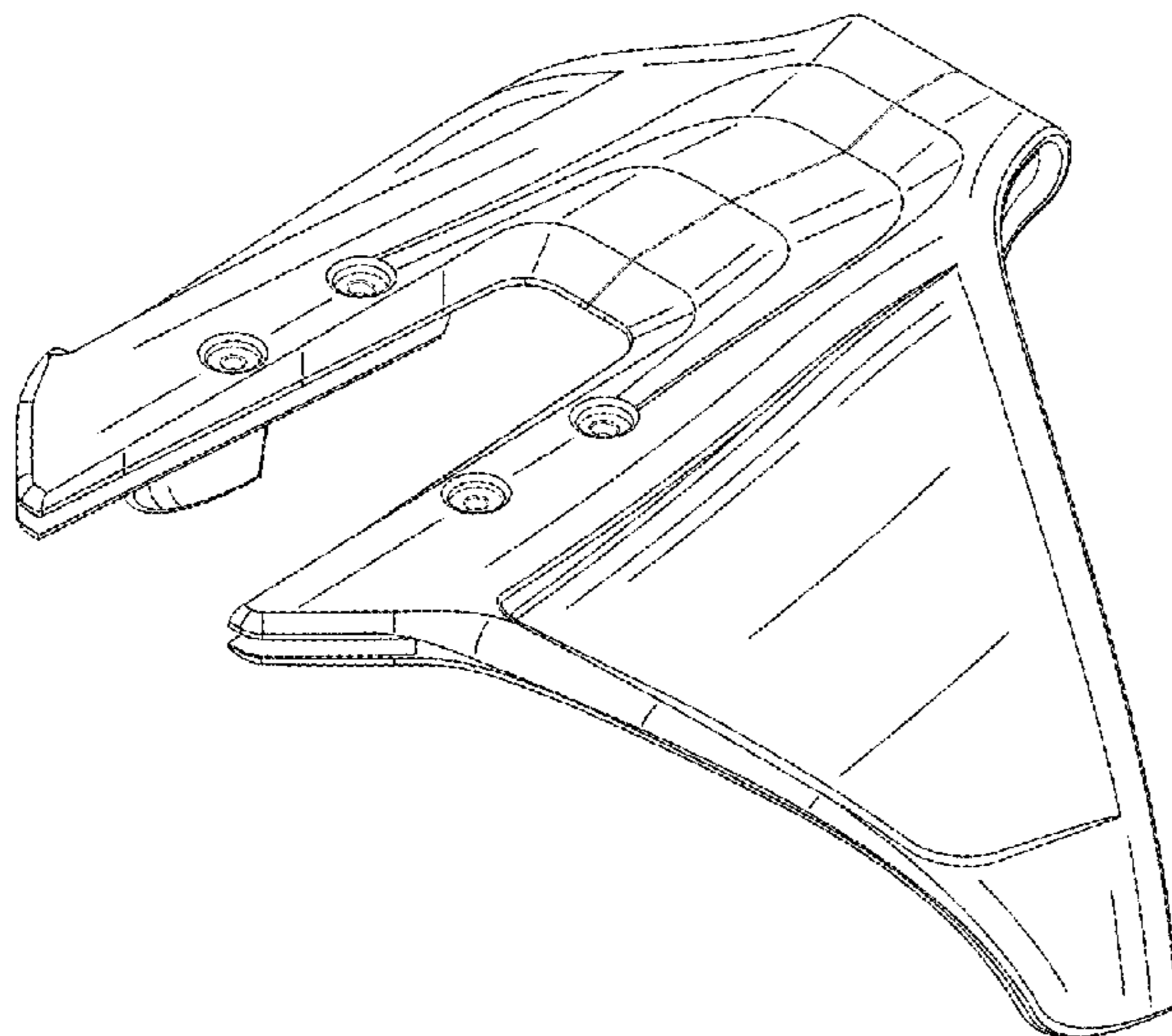
FIG. 5 is a right view thereof;

FIG. 6 is a top view thereof; and,

FIG. 7 is a bottom view thereof.

The broken lines depict portions of the hydrofoil that form
no part of the claimed design.

1 Claim, 7 Drawing Sheets



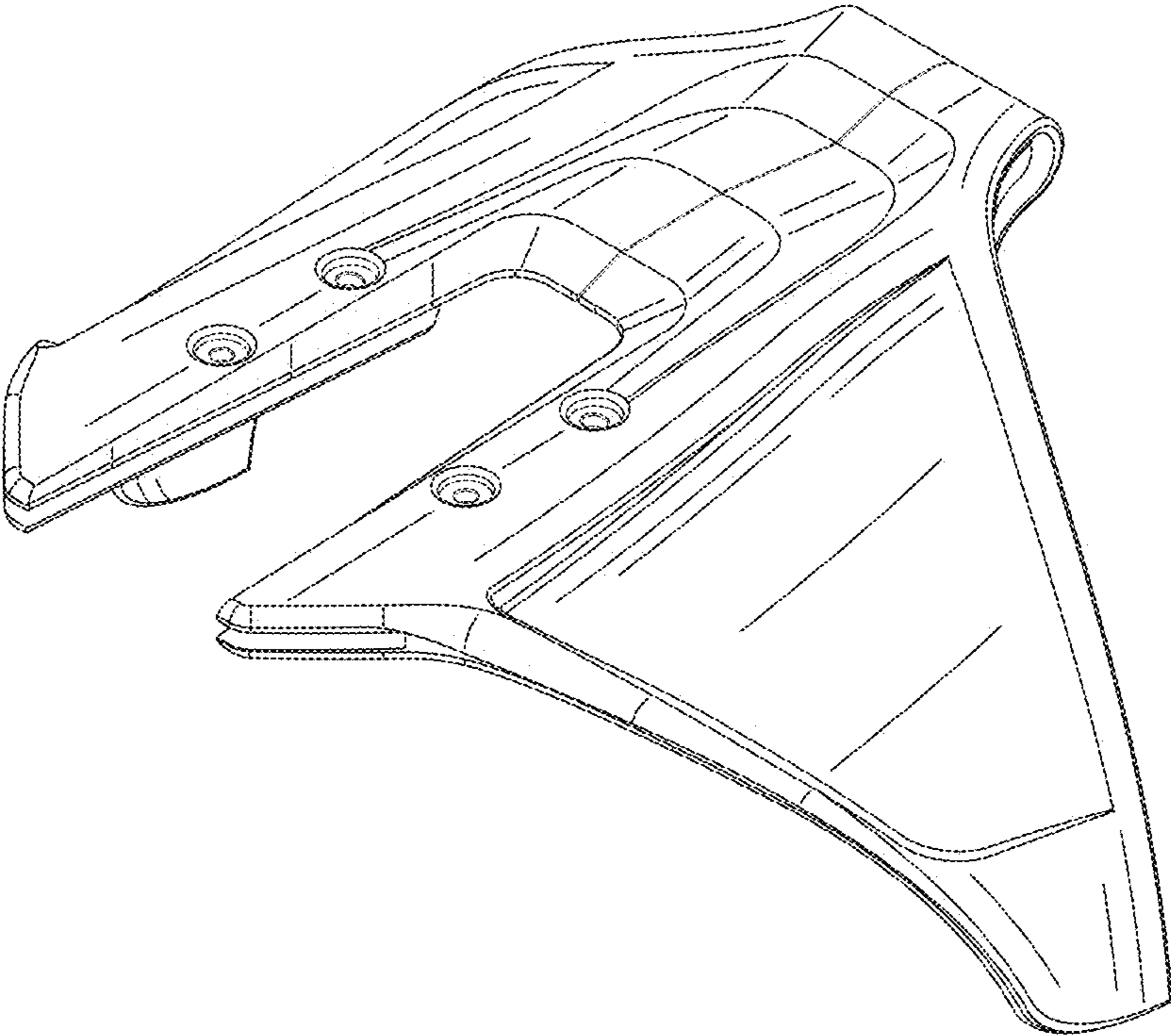


FIG.1

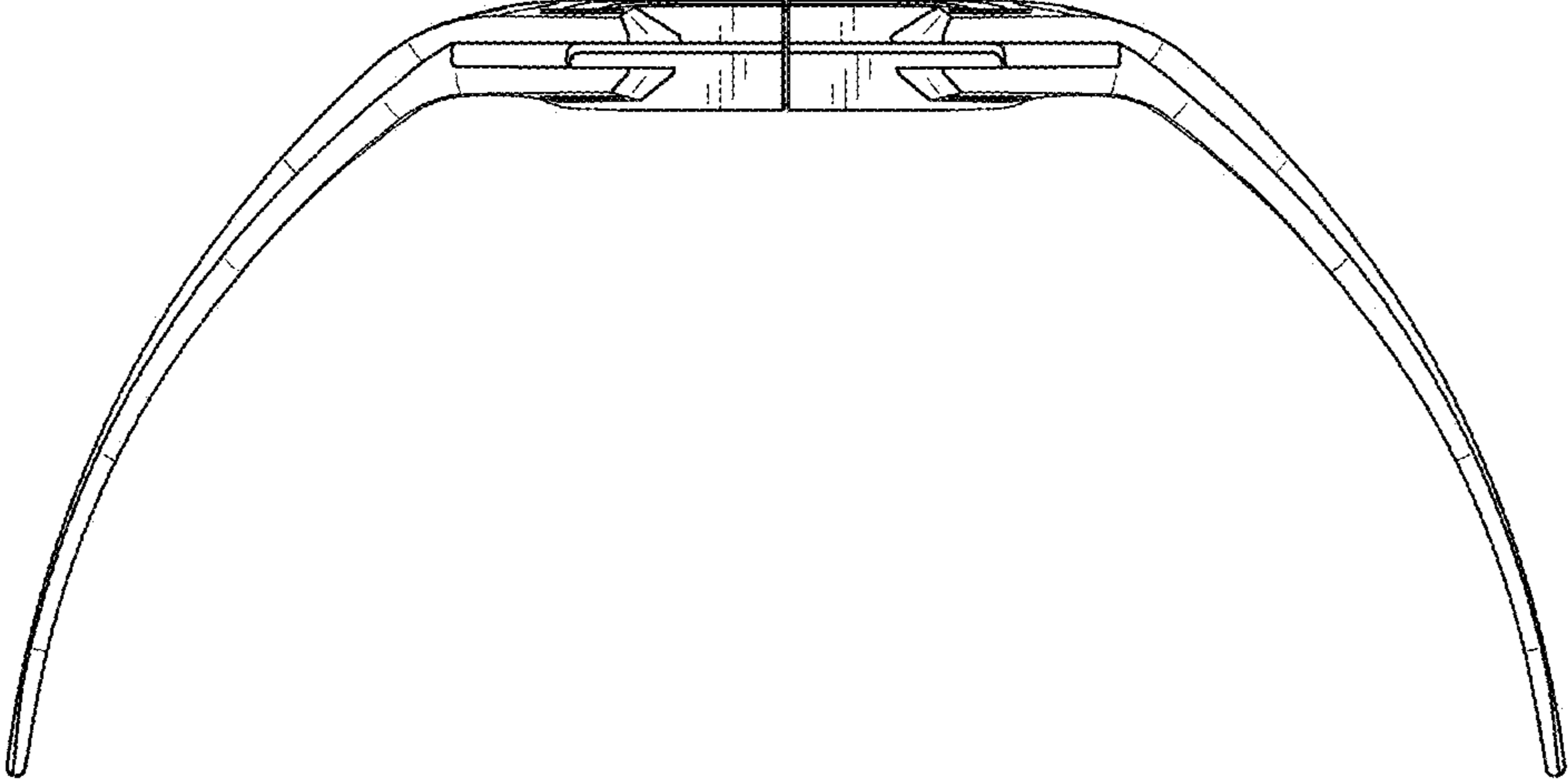


FIG. 2

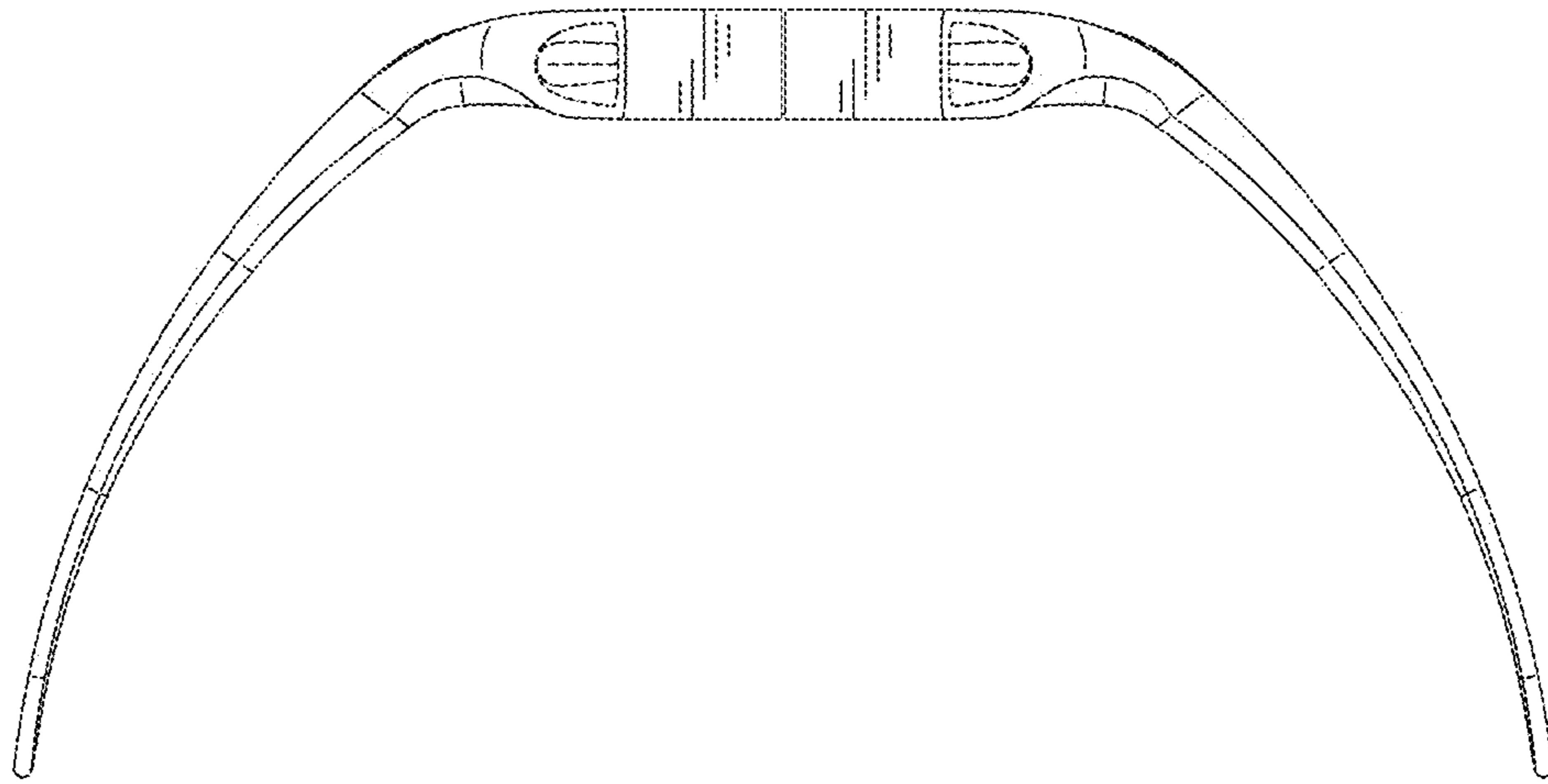


FIG. 3

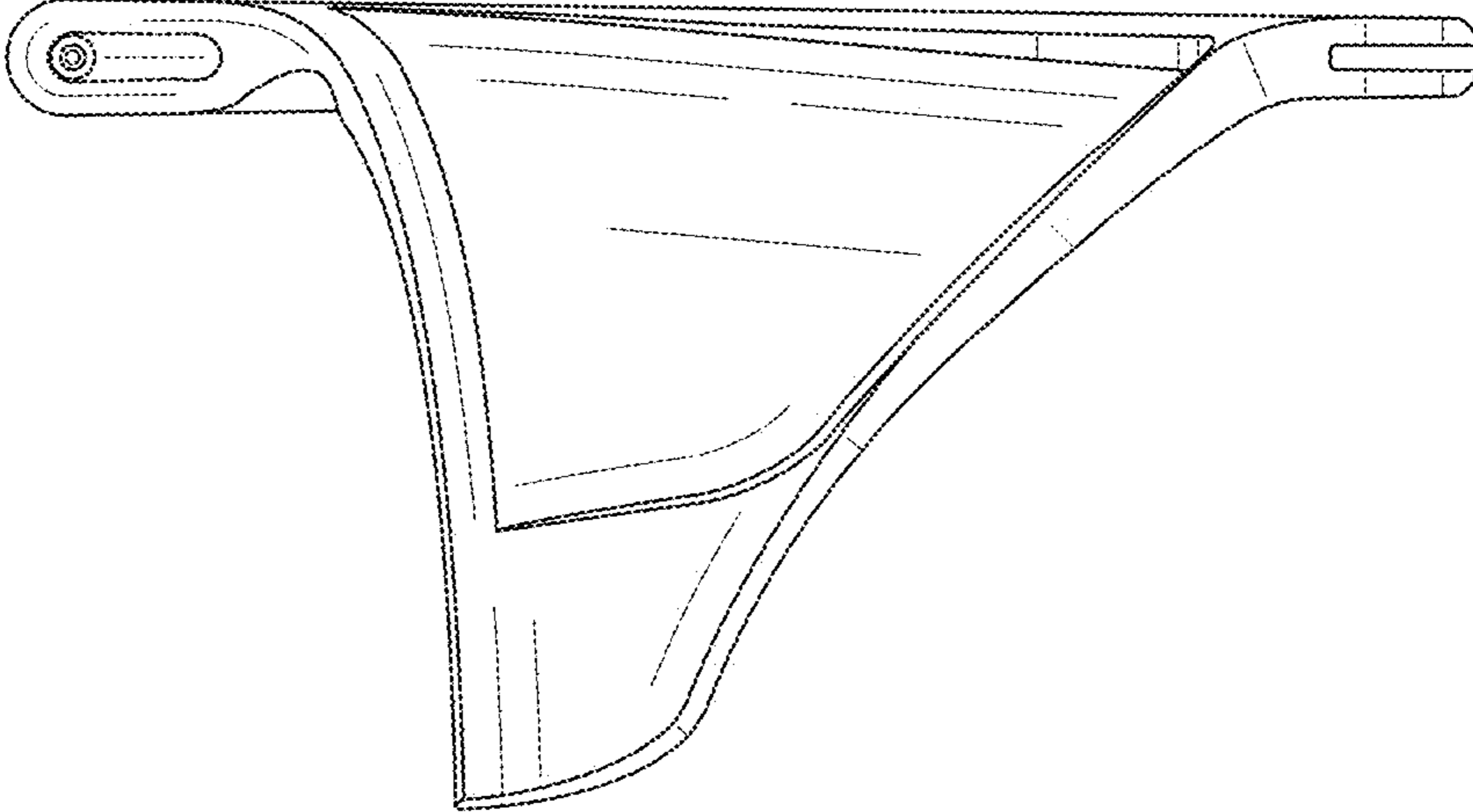


FIG. 4

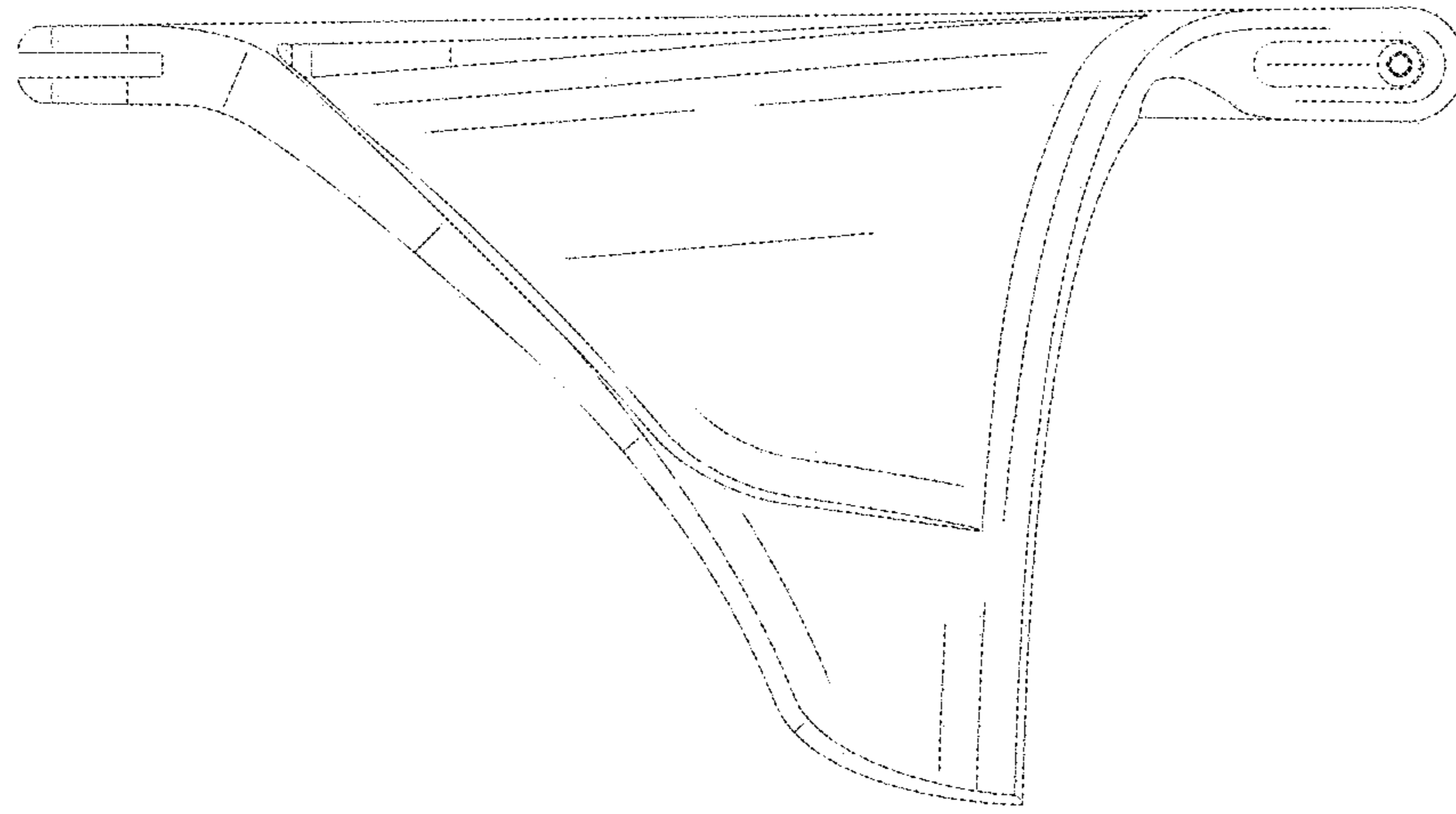


FIG. 5

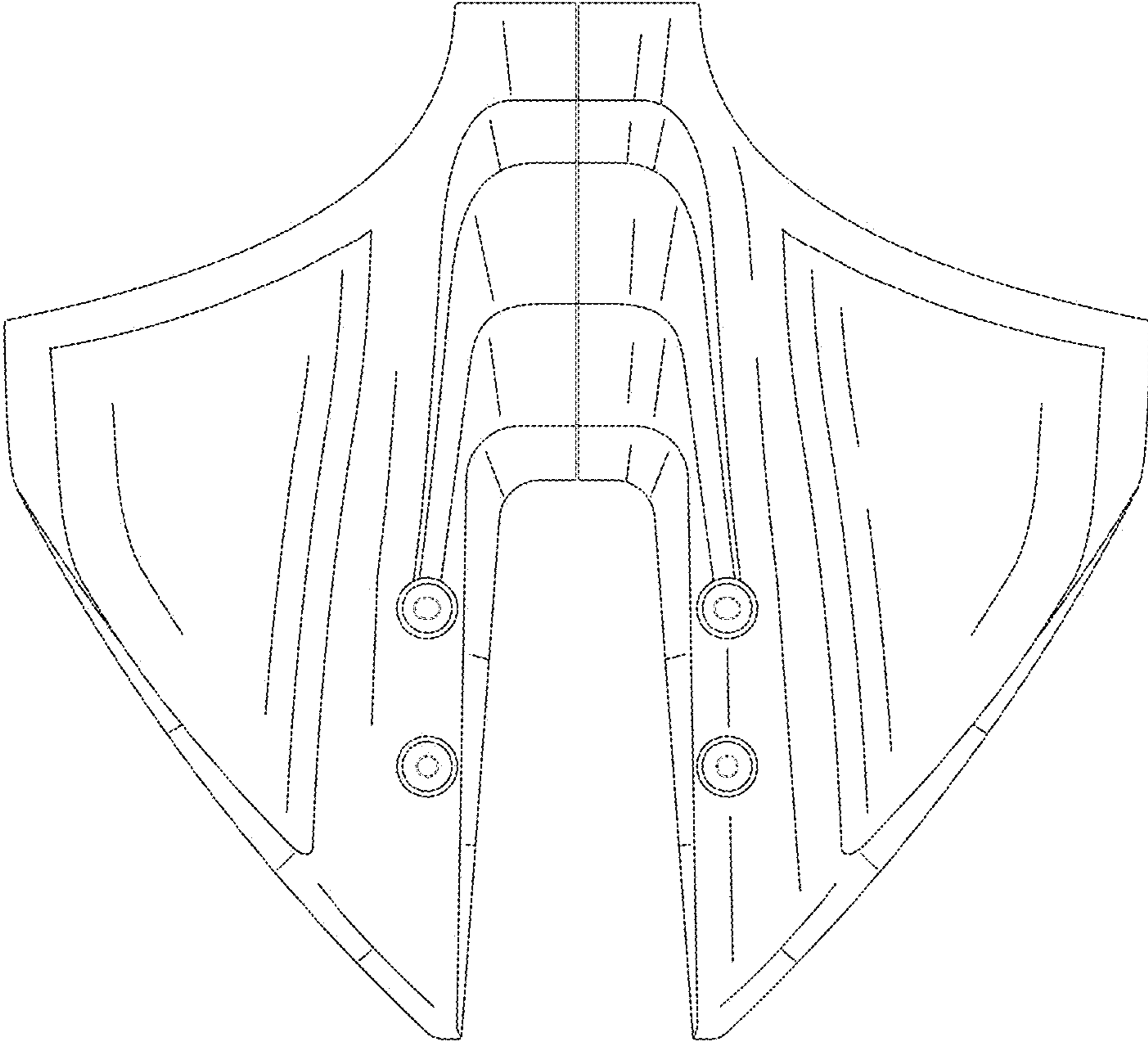


FIG. 6

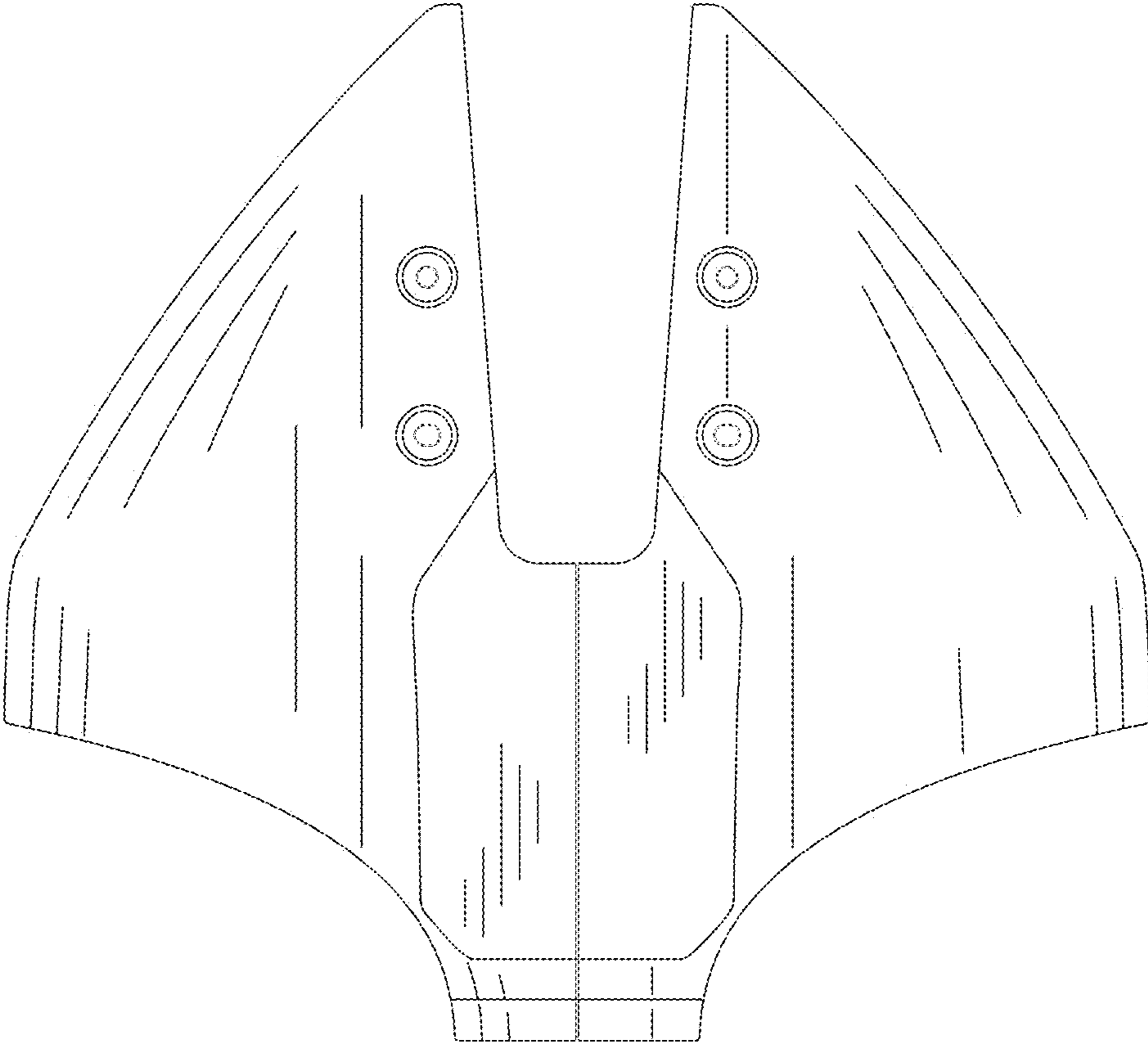


FIG. 7