



US00D913183S

(12) **United States Design Patent**  
**Aslam**

(10) **Patent No.:** **US D913,183 S**

(45) **Date of Patent:** **\*\* Mar. 16, 2021**

(54) **VEHICLE WHEEL**

(71) Applicant: **USA Wheel and Tire Outlet, Inc.,**  
Mesquite, TX (US)

(72) Inventor: **Nadeem Aslam, Mesquite, TX (US)**

(73) Assignee: **USA Wheel and Tire Outlet, Inc.,**  
Mesquite, TX (US)

(\*\*) Term: **15 Years**

(21) Appl. No.: **29/711,460**

(22) Filed: **Oct. 31, 2019**

(51) **LOC (13) Cl.** ..... **12-16**

(52) **U.S. Cl.**  
USPC ..... **D12/211**

(58) **Field of Classification Search**  
USPC ..... D12/204-213; D21/563  
CPC .... B60B 7/00; B60B 7/02; B60B 7/04; B60B  
7/01; B60B 7/06; B60B 3/02; B60B 3/04;  
B60B 3/06; B60B 3/10; B60B 1/00;  
B60B 1/08; B60B 1/10; B60B 1/12  
See application file for complete search history.

(56) **References Cited**

**U.S. PATENT DOCUMENTS**

|            |   |         |       |       |         |
|------------|---|---------|-------|-------|---------|
| D680,486 S | * | 4/2013  | Zhao  | ..... | D12/211 |
| D782,386 S | * | 3/2017  | Zhao  | ..... | D12/211 |
| D828,270 S | * | 9/2018  | Aslam | ..... | D12/211 |
| D830,272 S |   | 10/2018 | Aslam |       |         |
| D833,943 S | * | 11/2018 | Chung | ..... | D12/209 |

|            |   |         |          |       |         |
|------------|---|---------|----------|-------|---------|
| D838,644 S | * | 1/2019  | Chung    | ..... | D12/209 |
| D838,647 S | * | 1/2019  | Han      | ..... | D12/209 |
| D840,899 S | * | 2/2019  | Chung    | ..... | D12/211 |
| D842,184 S | * | 3/2019  | Chung    | ..... | D12/209 |
| D845,865 S | * | 4/2019  | Zhao     | ..... | D12/211 |
| D856,255 S | * | 8/2019  | Johnson  | ..... | D12/209 |
| D856,258 S | * | 8/2019  | Zhao     | ..... | D12/211 |
| D867,960 S | * | 11/2019 | Aslam    | ..... | D12/209 |
| D870,630 S | * | 12/2019 | Ash      | ..... | D12/209 |
| D870,632 S | * | 12/2019 | Ash      | ..... | D12/209 |
| D871,300 S | * | 12/2019 | Ash      | ..... | D12/209 |
| D877,676 S | * | 3/2020  | Lee      | ..... | D12/209 |
| D885,295 S | * | 5/2020  | Han      | ..... | D12/211 |
| D889,368 S | * | 7/2020  | Lee      | ..... | D12/209 |
| D889,372 S | * | 7/2020  | Williams | ..... | D12/211 |
| D894,077 S | * | 8/2020  | Lee      | ..... | D12/209 |

\* cited by examiner

*Primary Examiner* — Stacia A Cadmus

(74) *Attorney, Agent, or Firm* — Schneider IP Law LLC;  
Laura A. Schneider

(57) **CLAIM**

I claim the ornamental design for a vehicle wheel, as shown and described.

**DESCRIPTION**

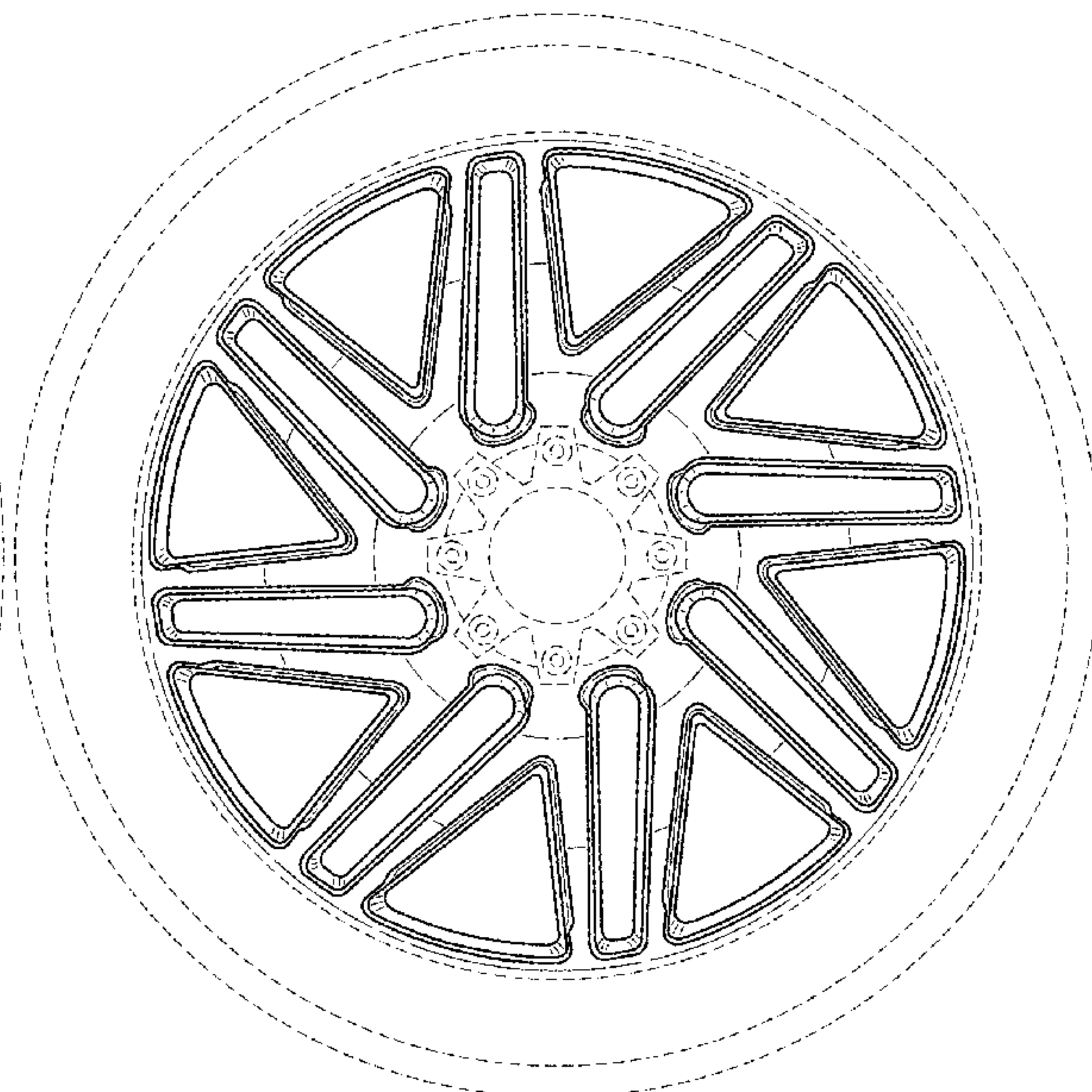
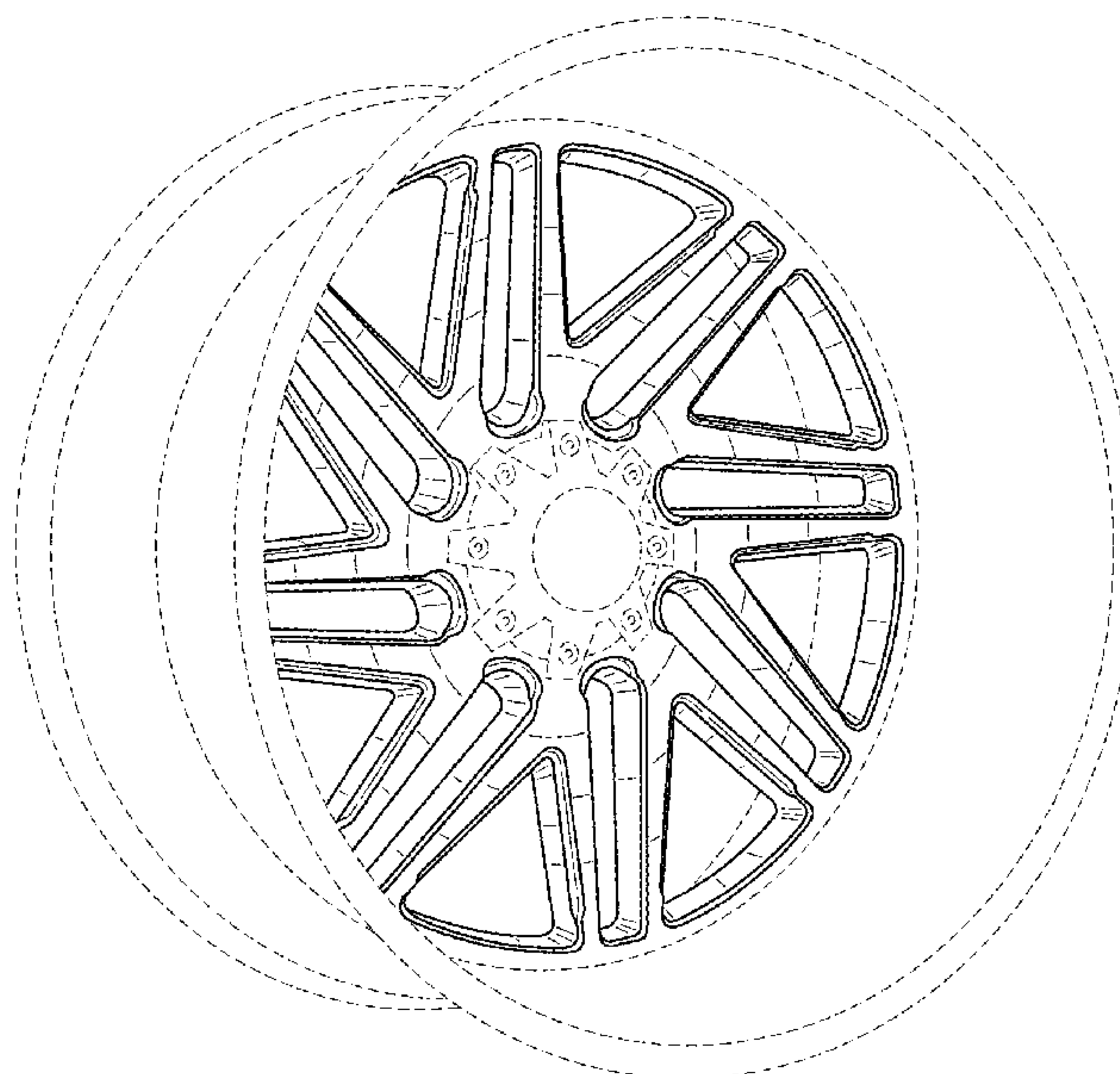
FIG. 1 is a perspective view of a vehicle wheel showing my new design;

FIG. 2 is a front view thereof; and,

FIG. 3 is a rear view thereof.

In the drawings, the broken lines depict environmental subject matter and form no part of the claimed design.

**1 Claim, 3 Drawing Sheets**



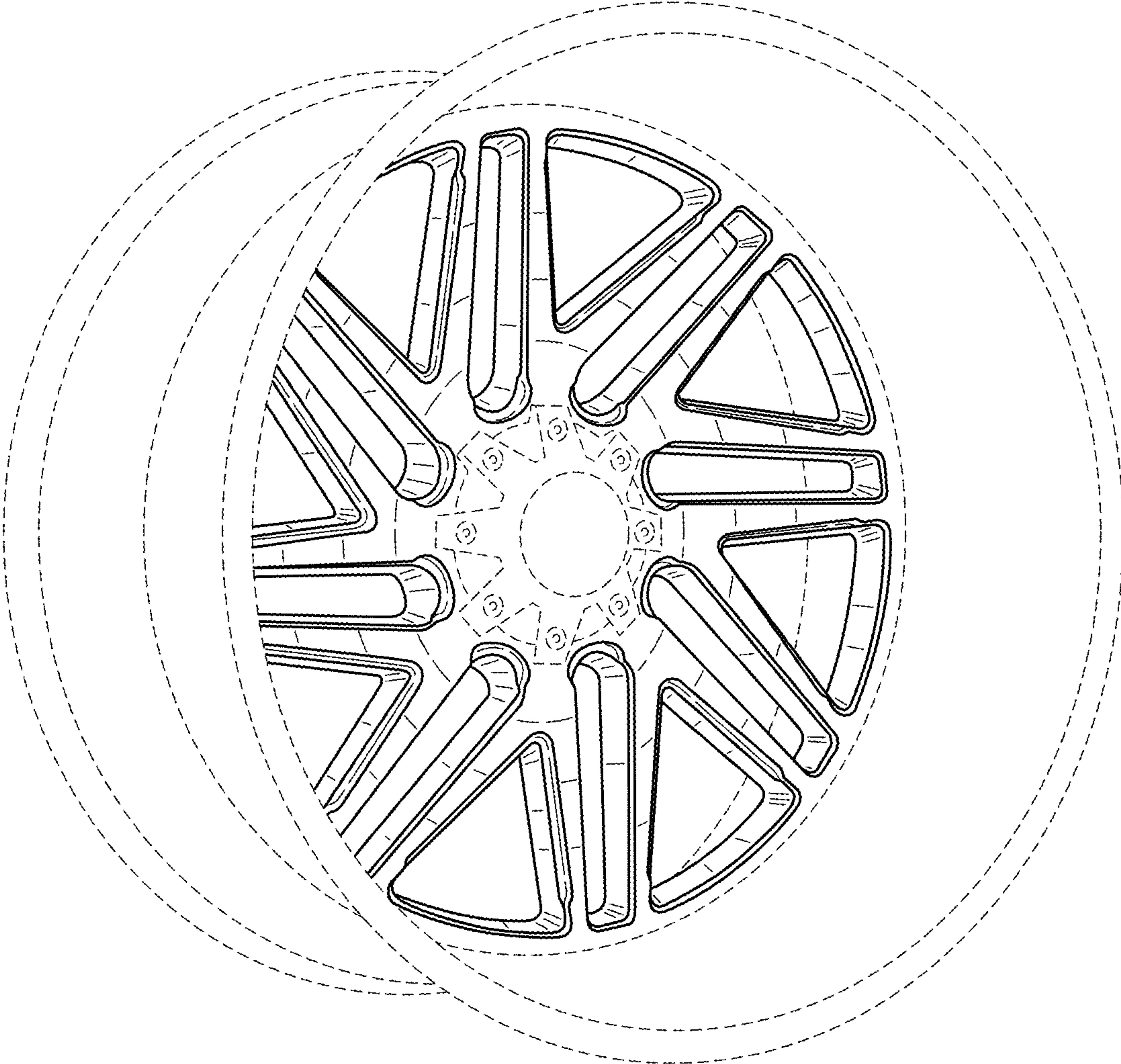


FIG.1



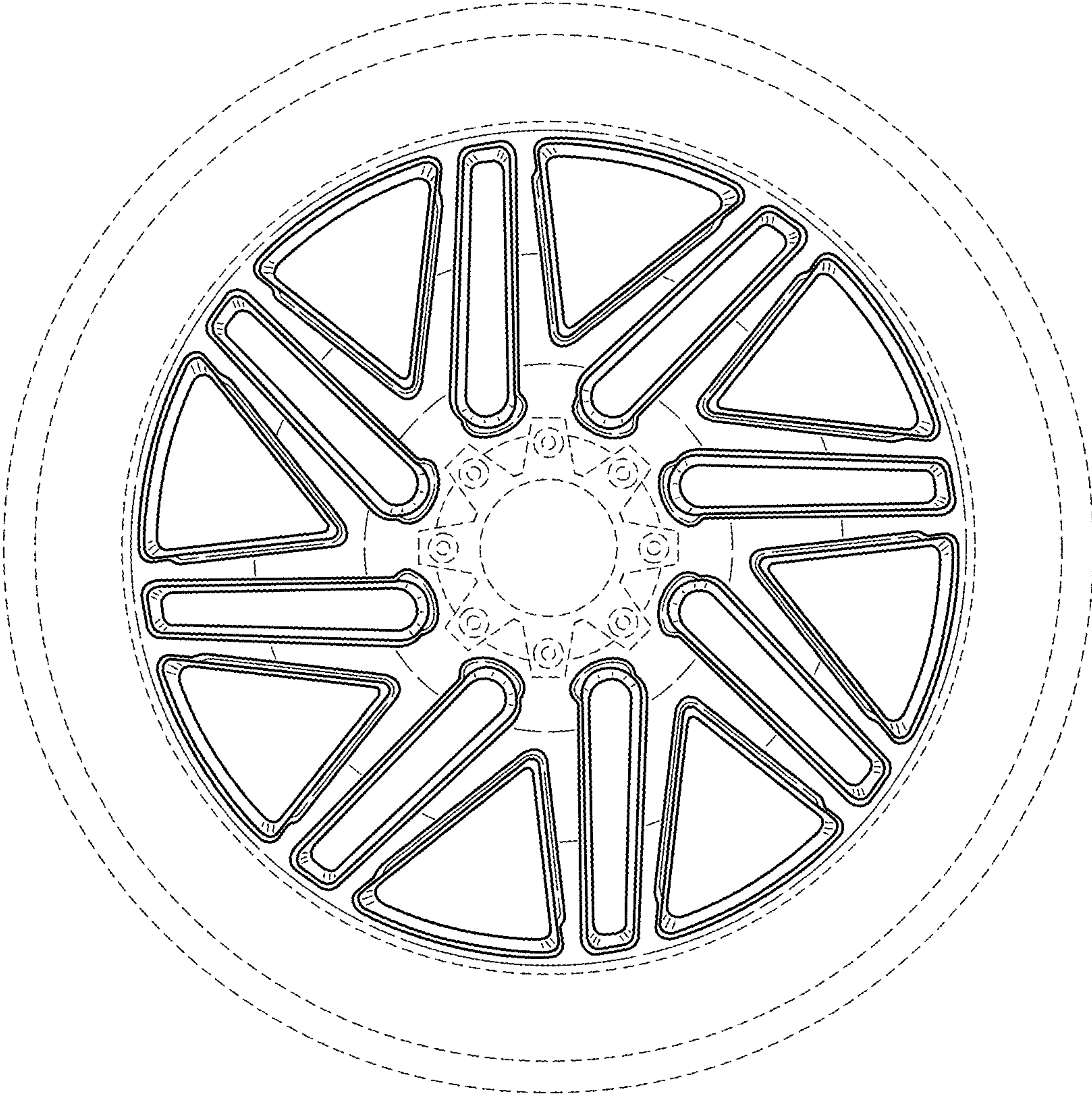


FIG.2

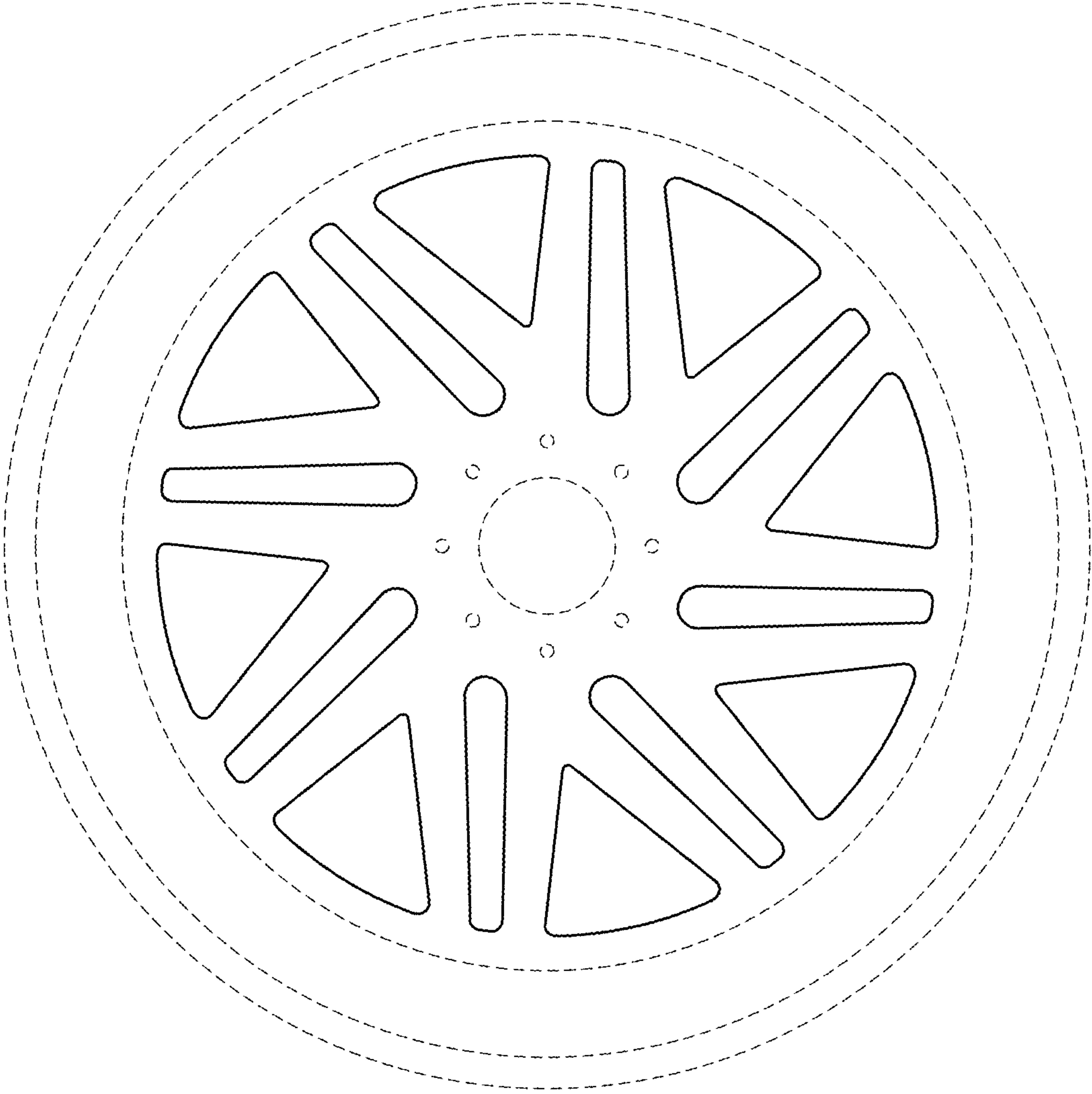


FIG.3