



US00D913180S

(12) **United States Design Patent**
Kim et al.

(10) **Patent No.:** **US D913,180 S**

(45) **Date of Patent:** **** Mar. 16, 2021**

- (54) **BODY FOR AUTOMOBILE**
- (71) Applicant: **LG Electronics Inc.**, Seoul (KR)
- (72) Inventors: **Hansoo Kim**, Seoul (KR); **Sangmin Park**, Seoul (KR); **Sewon Chun**, Seoul (KR); **Seunghwan Song**, Seoul (KR)
- (73) Assignee: **LG ELECTRONICS INC.**, Seoul (KR)

- D832,754 S * 11/2018 Ryu D12/192
- D848,919 S * 5/2019 Kang D12/192
- D849,625 S * 5/2019 Yamamoto D12/195
- D849,626 S * 5/2019 Hawkins D12/195
- D858,388 S * 9/2019 Song D12/191

* cited by examiner

Primary Examiner — George D. Kirschbaum

Assistant Examiner — Joseph J Kukella

(74) *Attorney, Agent, or Firm* — Birch, Stewart, Kolasch & Birch, LLP

(**) Term: **15 Years**

(21) Appl. No.: **35/508,174**

(22) Filed: **Jun. 19, 2019**

(80) **Hague Agreement Data**

Int. Filing Date: **Jun. 19, 2019**
 Int. Reg. No.: **DM/204851**
 Int. Reg. Date: **Jun. 19, 2019**
 Int. Reg. Pub. Date: **Dec. 20, 2019**

(30) **Foreign Application Priority Data**

Dec. 19, 2018 (KR) 30-2018-0060110

(51) **LOC (13) Cl.** **12-08**

(52) **U.S. Cl.**
USPC **D12/195**

(58) **Field of Classification Search**
USPC D12/82-92, 195
CPC B62D 25/00; B62D 31/00; B62D 39/00
See application file for complete search history.

(56) **References Cited**

U.S. PATENT DOCUMENTS

- D666,544 S * 9/2012 Tsay D12/195
- D813,132 S * 3/2018 Armigliato D12/195

(57) **CLAIM**

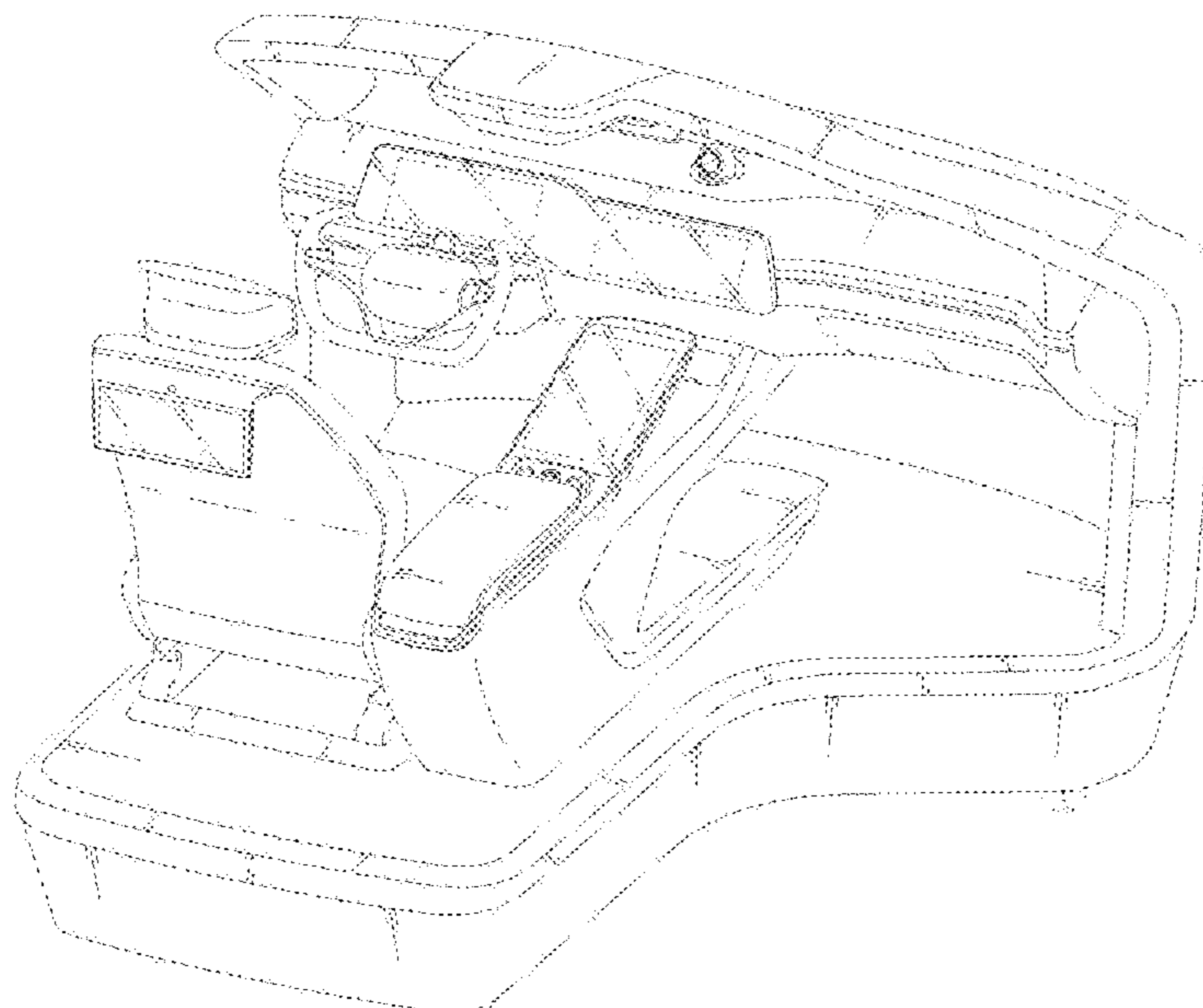
The ornamental design for a body for automobile, as shown and described.

DESCRIPTION

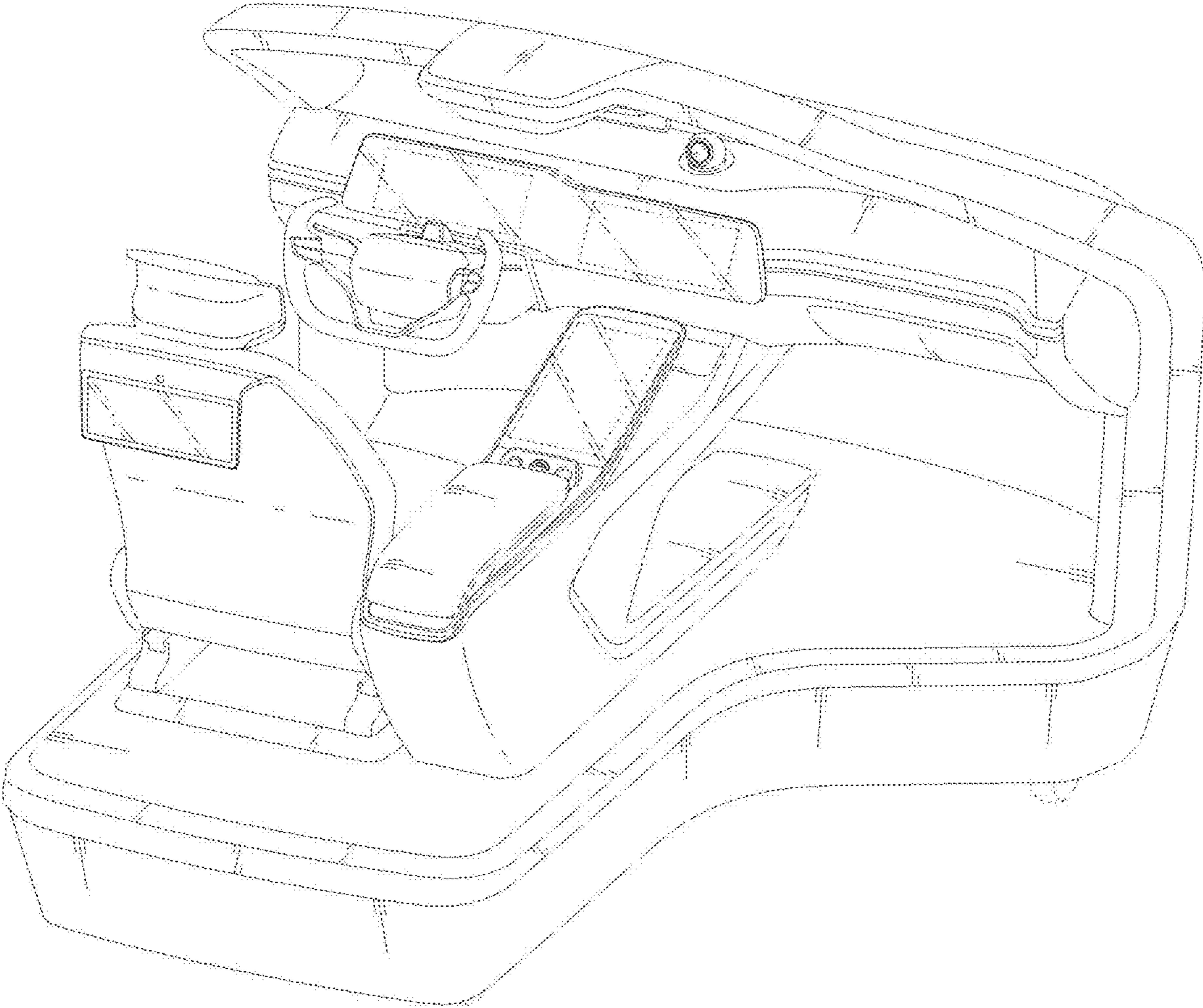
- 1. Body for automobile
- 1.1 : Perspective
- 1.2 : Perspective view 2
- 1.3 : Perspective view 3
- 1.4 : Perspective view 4
- 1.5 : Perspective view 5
- 1.6 : Perspective view 6
- 1.7 : Top

The broken lines depict portions of the body for automobile that form no part of the claimed design; reproduction 1.1 is a rear right top perspective view of the body for automobile; reproduction 1.2 is a rear left top perspective view thereof; reproduction 1.3 is a rear right bottom perspective view thereof; reproduction 1.4 is a rear left bottom perspective view thereof; reproduction 1.5 is a front right top perspective view thereof; reproduction 1.6 is a front left top perspective view thereof; reproduction 1.7 is a top view thereof; this design is for a body for automobile which has a seat, a console, an AI robot, a lamp, and a dashboard which are installed into a vehicle; there are floated displays which are used inside of a vehicle.

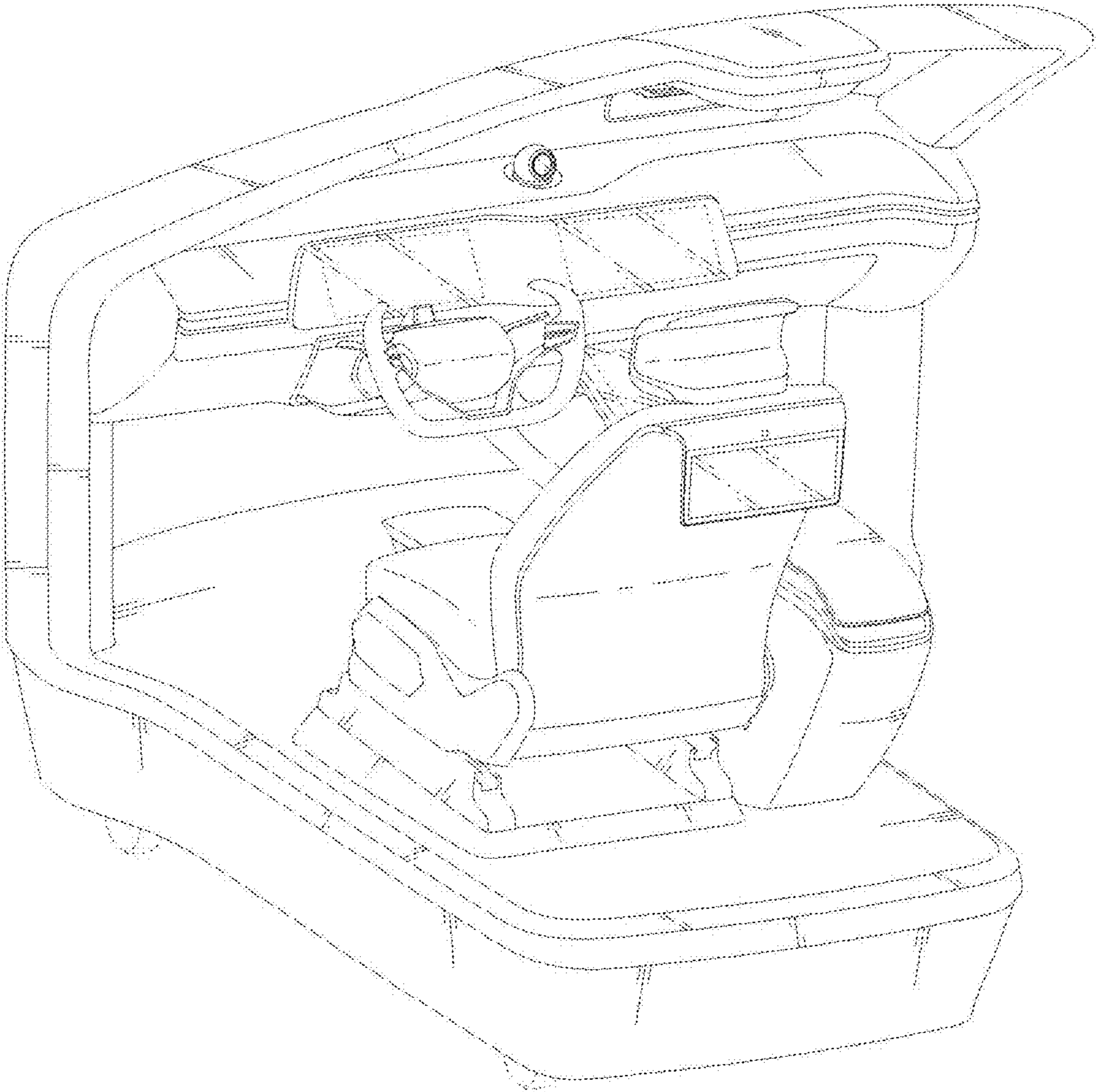
1 Claim, 7 Drawing Sheets



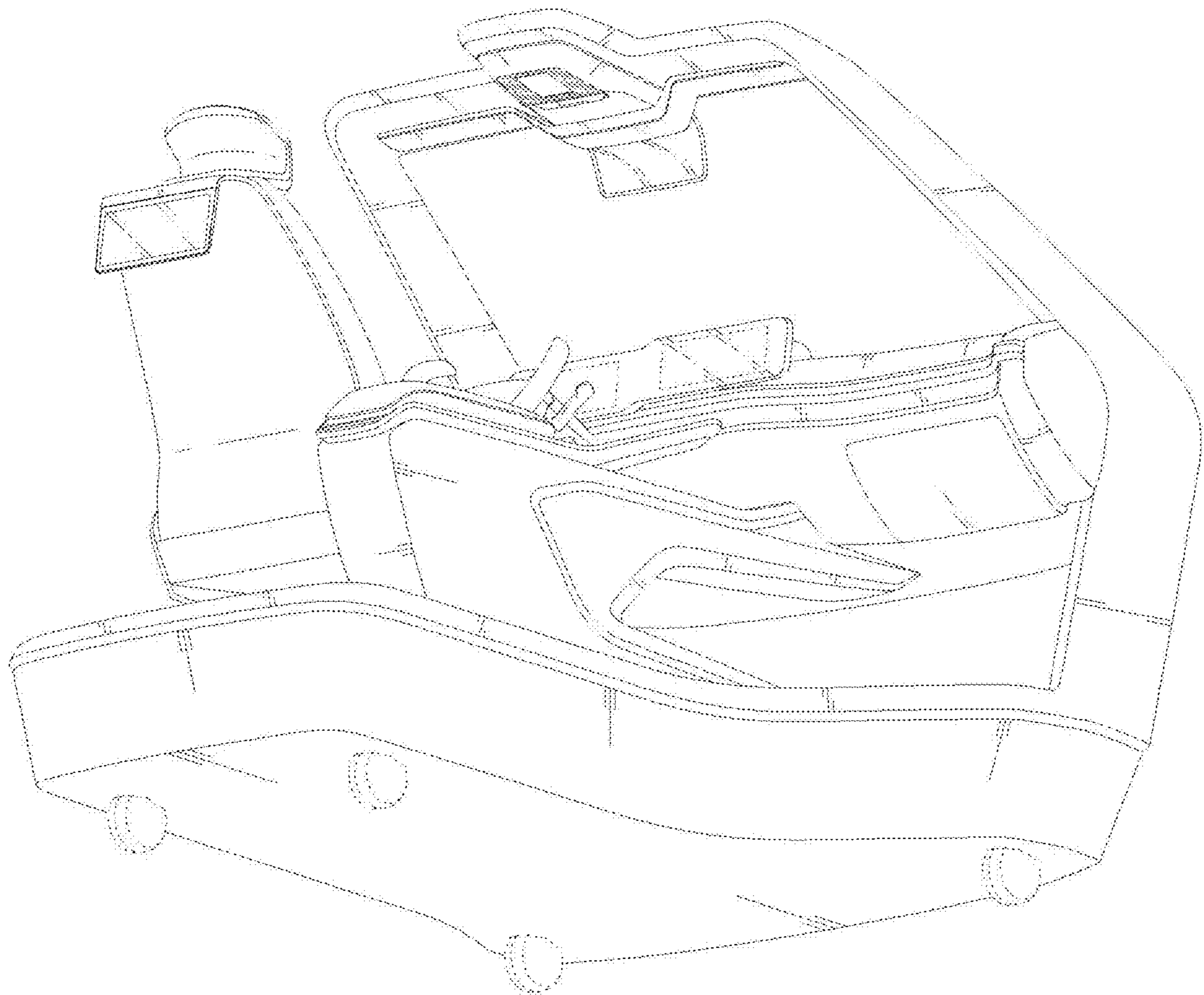
1.1



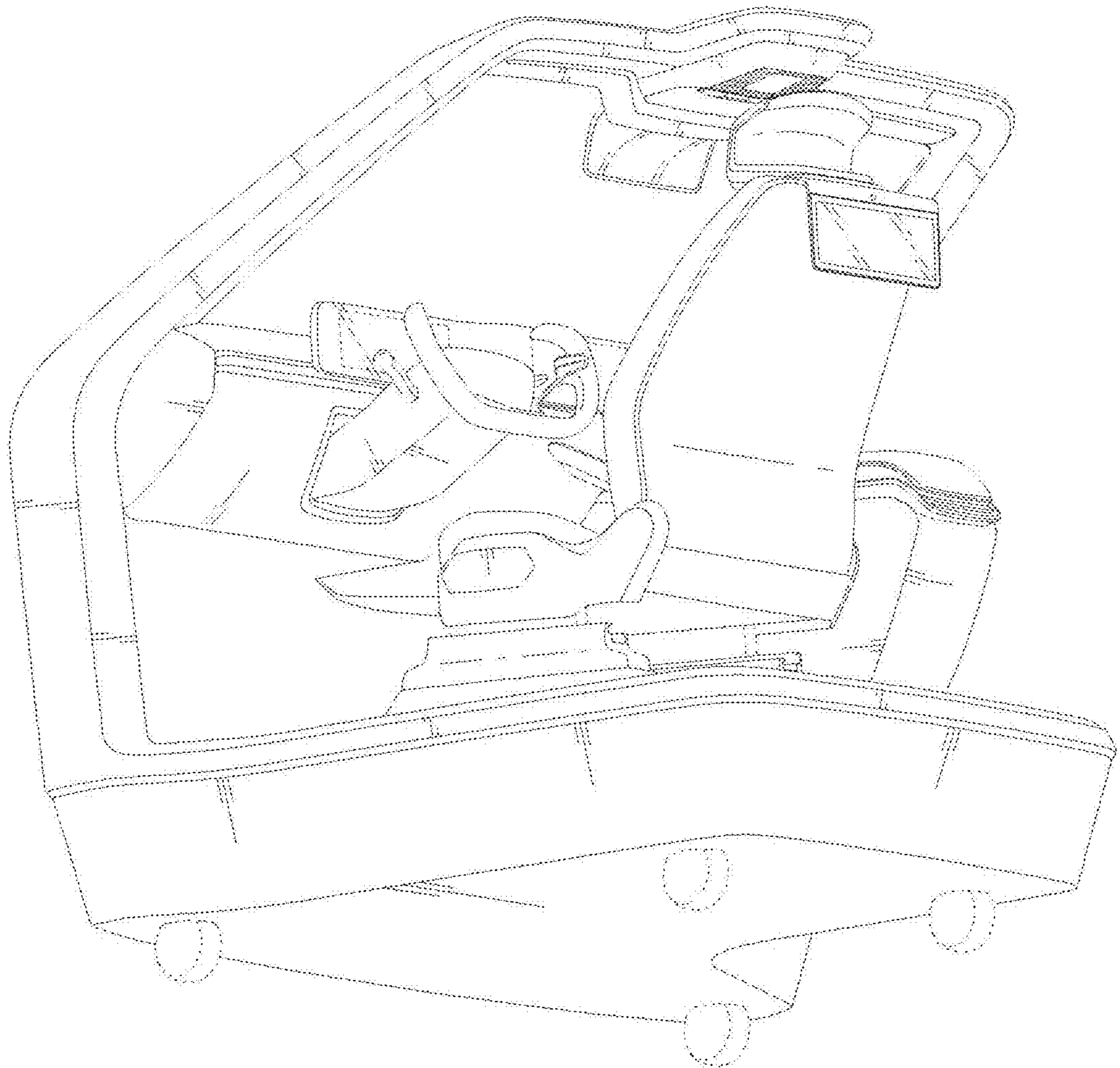
1.2



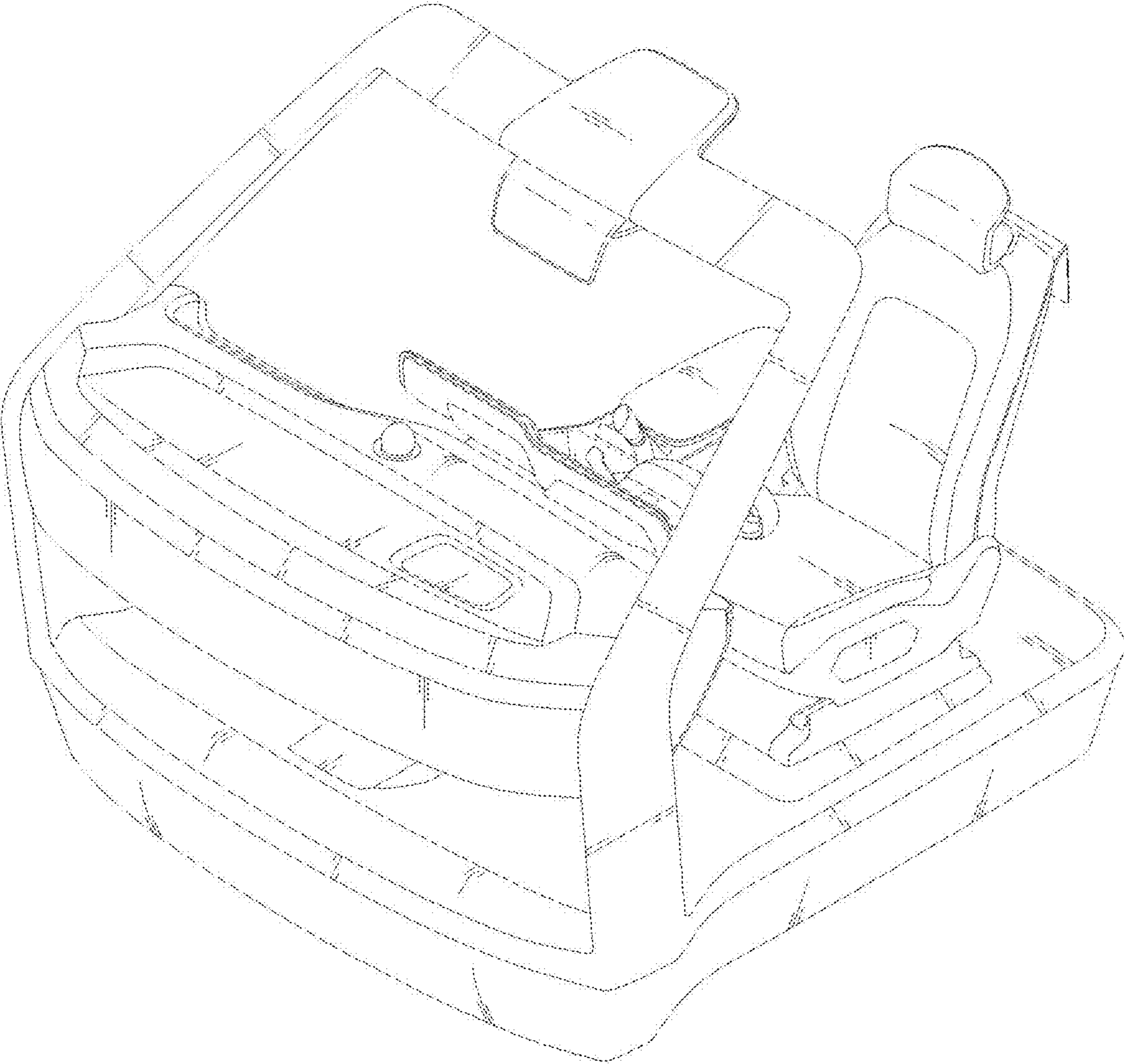
1.3



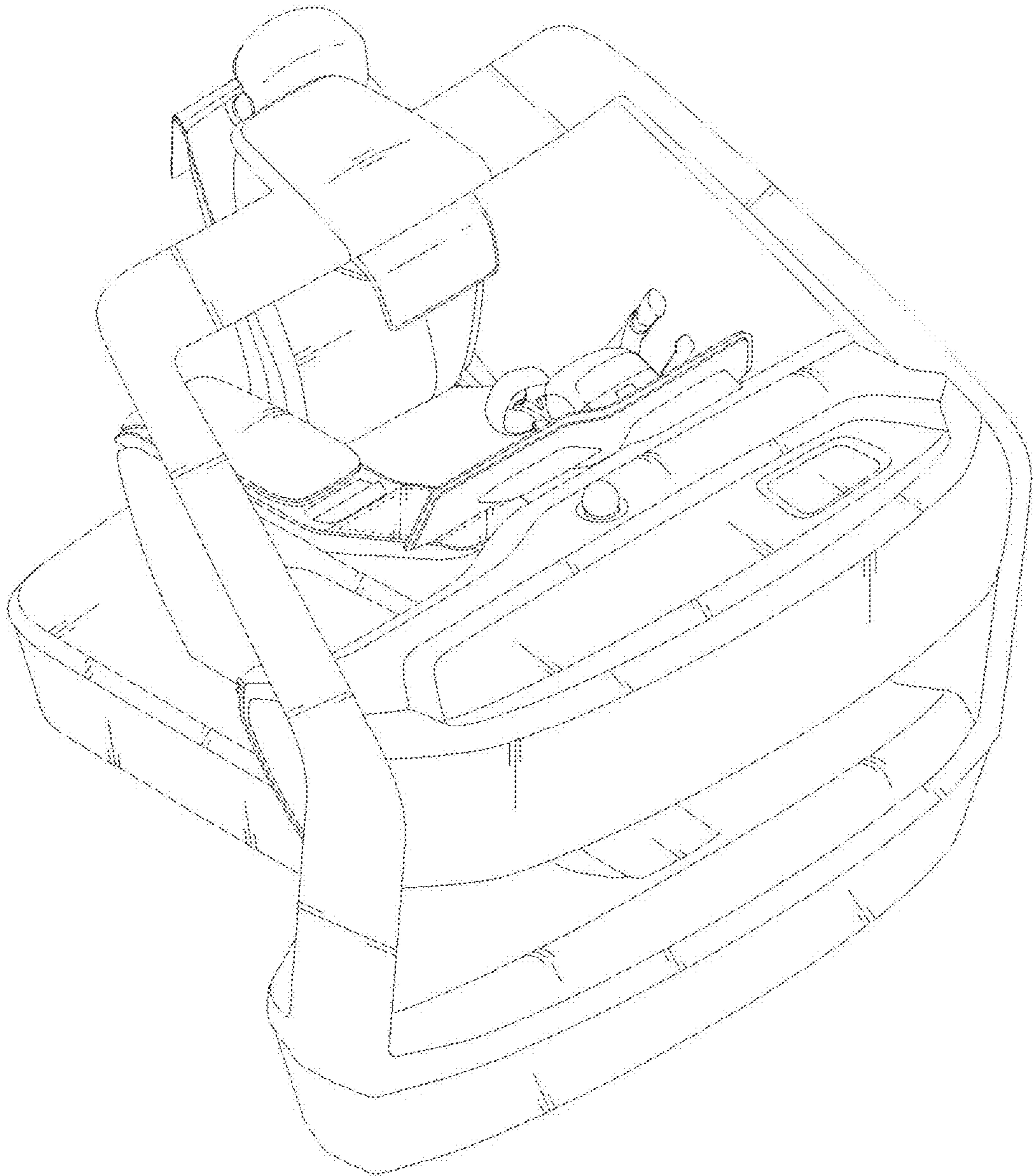
1.4



1.5



1.6



1.7

