



US00D913178S

(12) **United States Design Patent** (10) **Patent No.:** **US D913,178 S**
Hernandez (45) **Date of Patent:** **** Mar. 16, 2021**

- (54) **VEHICLE DOOR PANEL COMPARTMENT LINER**
- (71) Applicant: **Christopher E. Hernandez**, Davie, FL (US)
- (72) Inventor: **Christopher E. Hernandez**, Davie, FL (US)
- (**) Term: **15 Years**
- (21) Appl. No.: **29/641,158**
- (22) Filed: **Mar. 20, 2018**
- (51) **LOC (13) Cl.** **12-16**
- (52) **U.S. Cl.**
USPC **D12/195**
- (58) **Field of Classification Search**
USPC D12/195, 193, 414, 96; D15/17, 28;
D10/46, 98, 102-103; D8/302-303;
D6/536

(Continued)

(56) **References Cited**

U.S. PATENT DOCUMENTS

- D714,700 S * 10/2014 Yamamoto D12/195
- D784,883 S * 4/2017 Lee D12/195

(Continued)

Primary Examiner — Katrina A Betton

(74) *Attorney, Agent, or Firm* — Nancy J. Flint, Attorney At Law, P.A.; Nancy J. Flint, Esq.

(57) **CLAIM**

The ornamental design for a vehicle door panel compartment liner, as shown and described.

DESCRIPTION

FIG. 1 is a perspective view of a first embodiment of a vehicle door panel compartment with liner in its assembled condition showing my new design;

FIG. 2 is a perspective view of the first embodiment of the vehicle door panel compartment with liner in its unassembled condition;

FIG. 3 is a perspective view of the liner of the first embodiment of the vehicle door panel compartment with liner;

FIG. 4 is a front view of the liner of the first embodiment of the vehicle door panel compartment with liner;

FIG. 5 is a top view of the liner of the first embodiment of the vehicle door panel compartment with liner;

FIG. 6 is a rear view of the liner of the first embodiment of the vehicle door panel compartment with liner;

FIG. 7 is a left side view of the liner of the first embodiment of the vehicle door panel compartment with liner;

FIG. 8 is a bottom view of the liner of the first embodiment of the vehicle door panel compartment with liner;

FIG. 9 is a top view of the first embodiment of the vehicle door panel compartment with liner in its assembled condition;

FIG. 10 is a front view of the liner of the first embodiment of the vehicle door panel compartment with liner in its assembled condition;

FIG. 11 is a cut-away of the front view of the first embodiment of the vehicle door panel compartment with liner in its assembled condition;

FIG. 12 is a cut-away of the left side view of the first embodiment of the vehicle door panel compartment with liner in its assembled condition;

FIG. 13 is a left side view of the first embodiment of the vehicle door panel compartment with liner in its assembled condition;

FIG. 14 is a bottom view of the first embodiment of the vehicle door panel compartment with liner in its assembled condition;

FIG. 15 is a perspective view of the first embodiment of the vehicle door panel compartment with liner in its assembled condition as embodied in a door panel of a vehicle;

FIG. 16 is a perspective view of a second embodiment of a vehicle door panel compartment with liner in its assembled condition;

FIG. 17 is a perspective view of the second embodiment of a vehicle door panel compartment with liner in its unassembled condition;

(Continued)

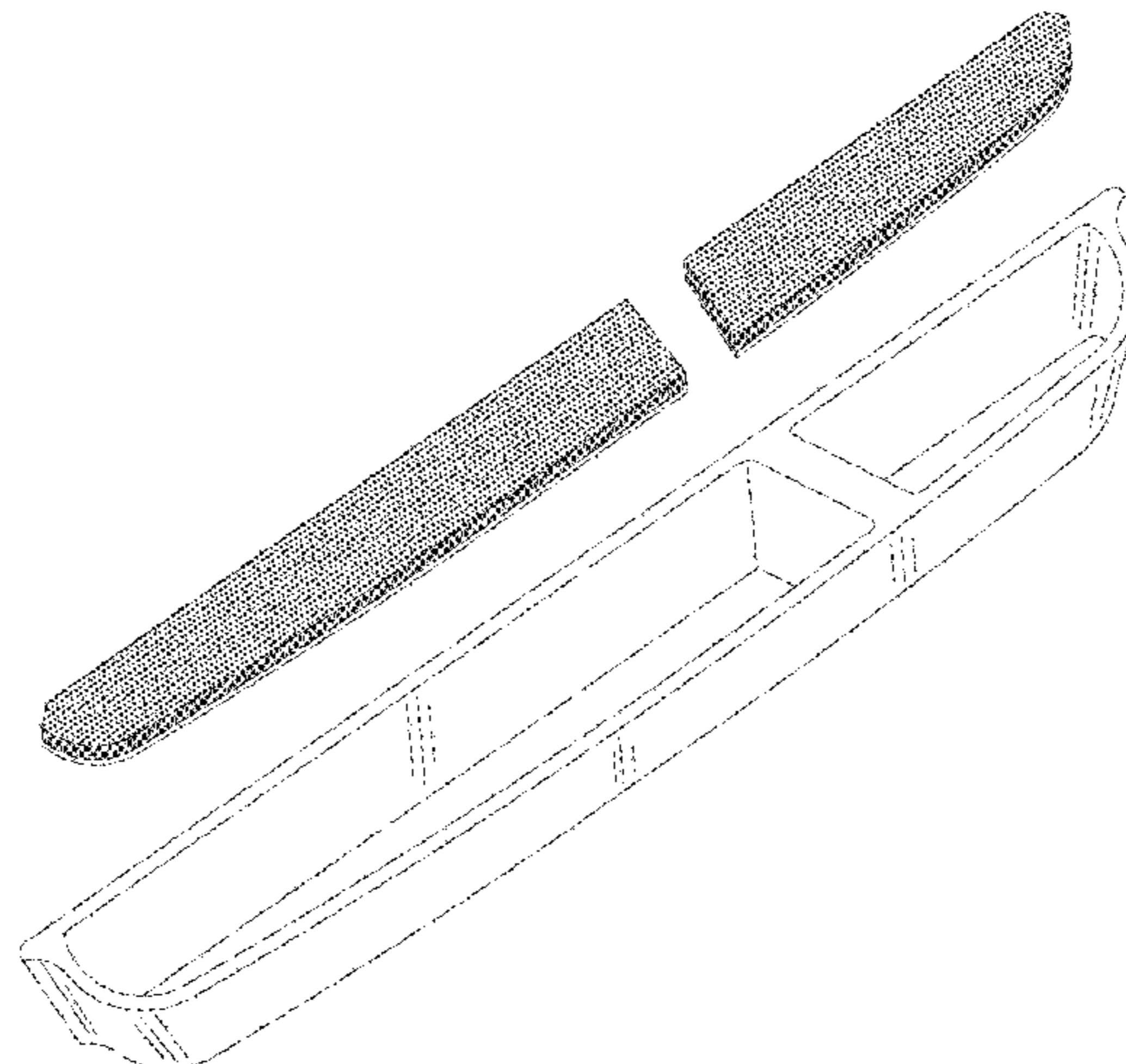


FIG. 18 is a perspective view of the liner of the second embodiment of the vehicle door panel compartment with liner;

FIG. 19 is a front view of the liner of the second embodiment of the vehicle door panel compartment with liner;

FIG. 20 is a top view of the liner of the second embodiment of the vehicle door panel compartment with liner;

FIG. 21 is a rear view of the liner of the second embodiment of the vehicle door panel compartment with liner;

FIG. 22 is a left side view of the liner of the second embodiment of the vehicle door panel compartment with liner;

FIG. 23 is a bottom view of the liner of the second embodiment of the vehicle door panel compartment with liner;

FIG. 24 is a top view of the second embodiment of the vehicle door panel compartment with liner in its assembled condition;

FIG. 25 is a front view of the liner of the second embodiment of the vehicle door panel compartment with liner in its assembled condition;

FIG. 26 is a cut-away of the front view of the second embodiment of the vehicle door panel compartment with liner in its assembled condition;

FIG. 27 is a cut-away of the left side view of the second embodiment of the vehicle door panel compartment with liner in its assembled condition;

FIG. 28 is a left side view of the second embodiment of the vehicle door panel compartment with liner in its assembled condition;

FIG. 29 is a bottom view of the second embodiment of the vehicle door panel compartment with liner in its assembled condition; and,

FIG. 30 is a perspective view of the second embodiment of the vehicle door panel compartment with liner in its assembled condition as embodied in a door panel of a vehicle.

Right side views not shown are mirror images of left side views. Any broken lines illustrative of environmental structure in the drawings are not part of the design sought to be patented.

1 Claim, 14 Drawing Sheets

(58) **Field of Classification Search**

CPC B60J 5/04; B62D 31/02
See application file for complete search history.

(56) **References Cited**

U.S. PATENT DOCUMENTS

| | | | | | |
|--------------|------|--------|--------------|-------|--------------|
| D821,947 | S * | 7/2018 | Kasparian | | D12/195 |
| D829,142 | S * | 9/2018 | Sheffield | | D12/195 |
| D882,477 | S * | 4/2020 | Roo-Clefas | | D12/195 |
| D892,692 | S * | 8/2020 | Blades-Nixon | | D12/195 |
| D892,693 | S * | 8/2020 | Jacob | | D12/195 |
| 2018/0154743 | A1 * | 6/2018 | Rao | | B60J 5/0412 |
| 2018/0186396 | A1 * | 7/2018 | Rousseau | | A47D 13/043 |
| 2019/0077324 | A1 * | 3/2019 | Dunham | | B60N 2/78 |
| 2020/0269796 | A1 * | 8/2020 | Schnur | | B60R 13/0243 |

* cited by examiner

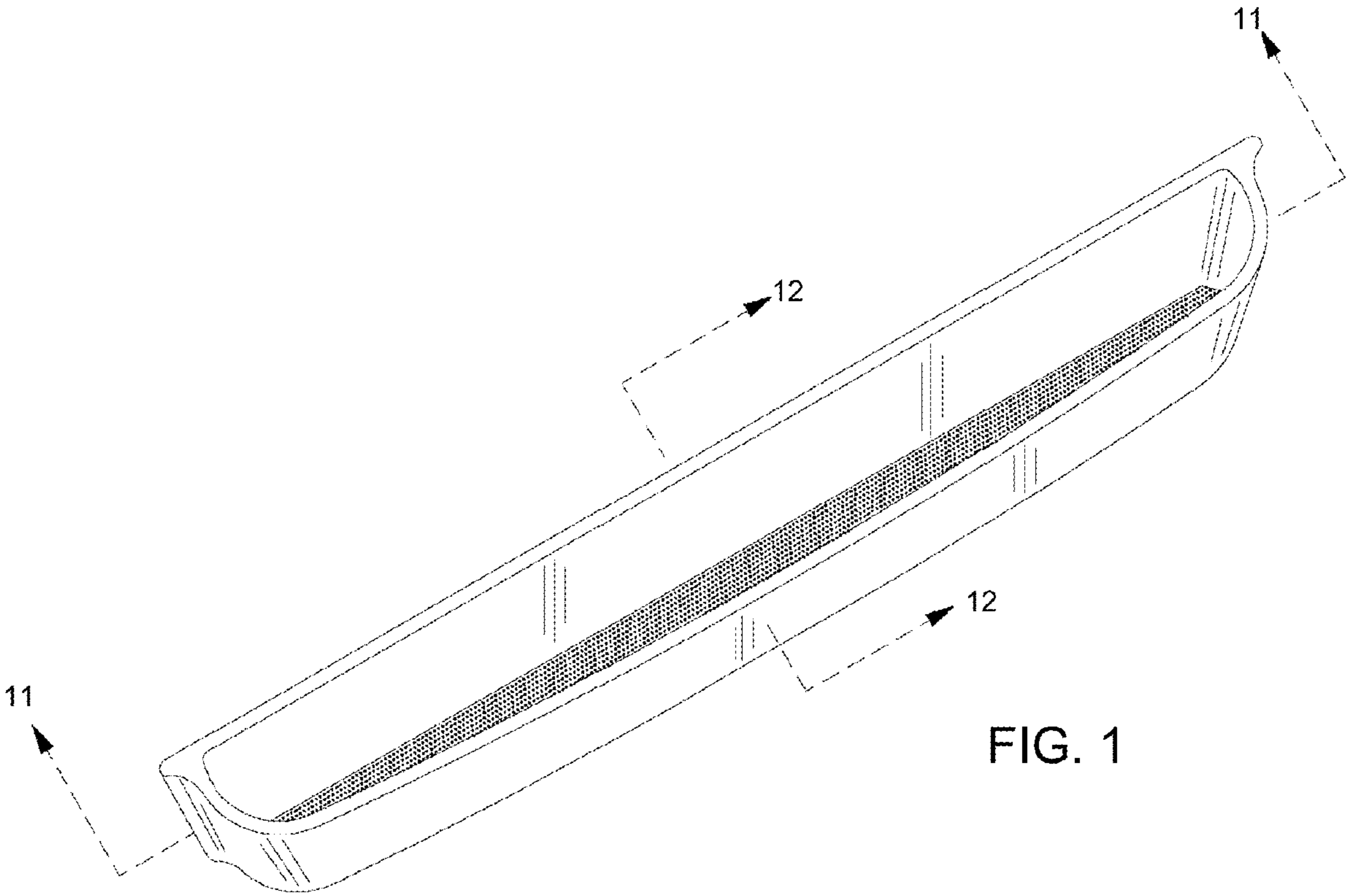
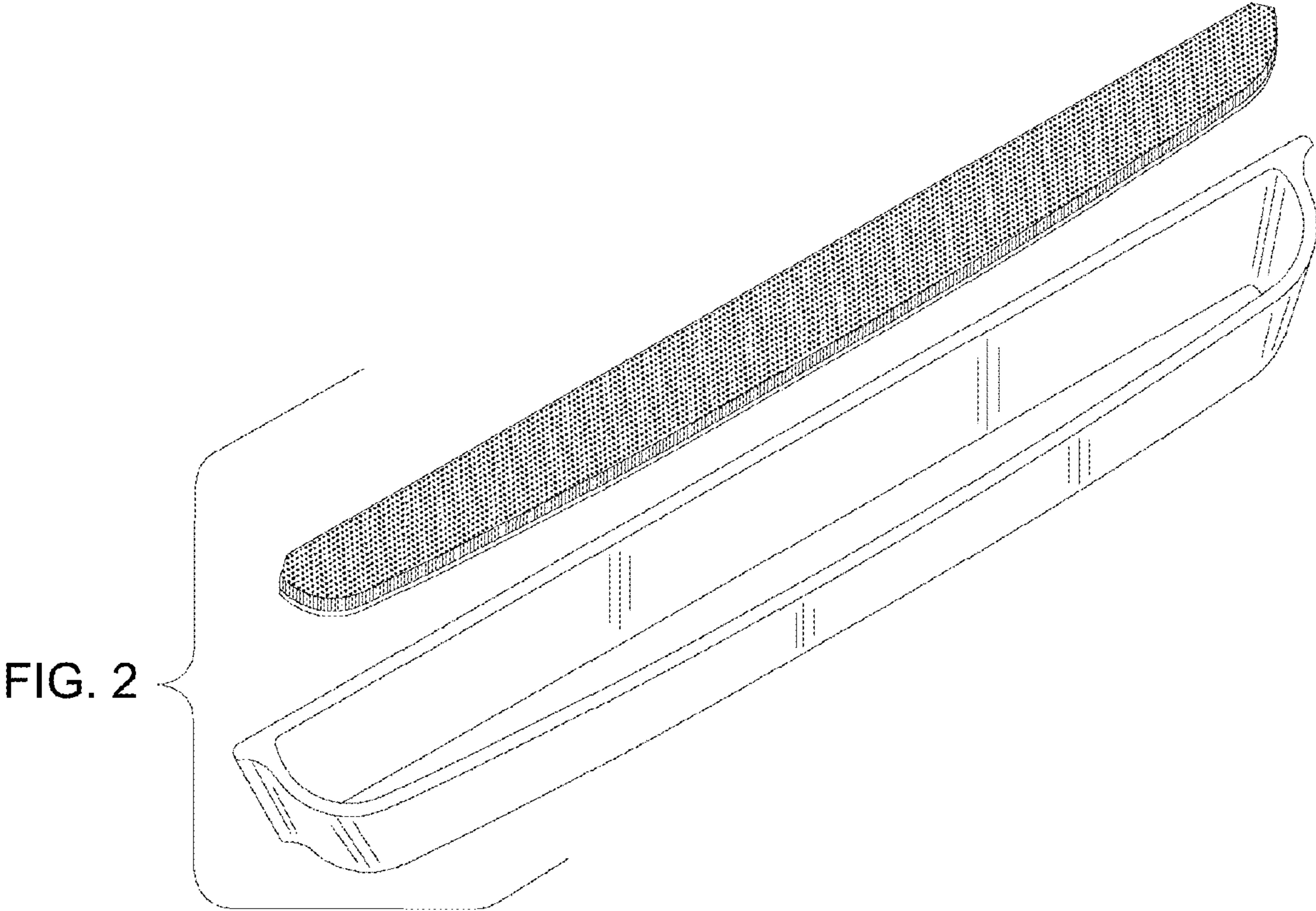


FIG. 1



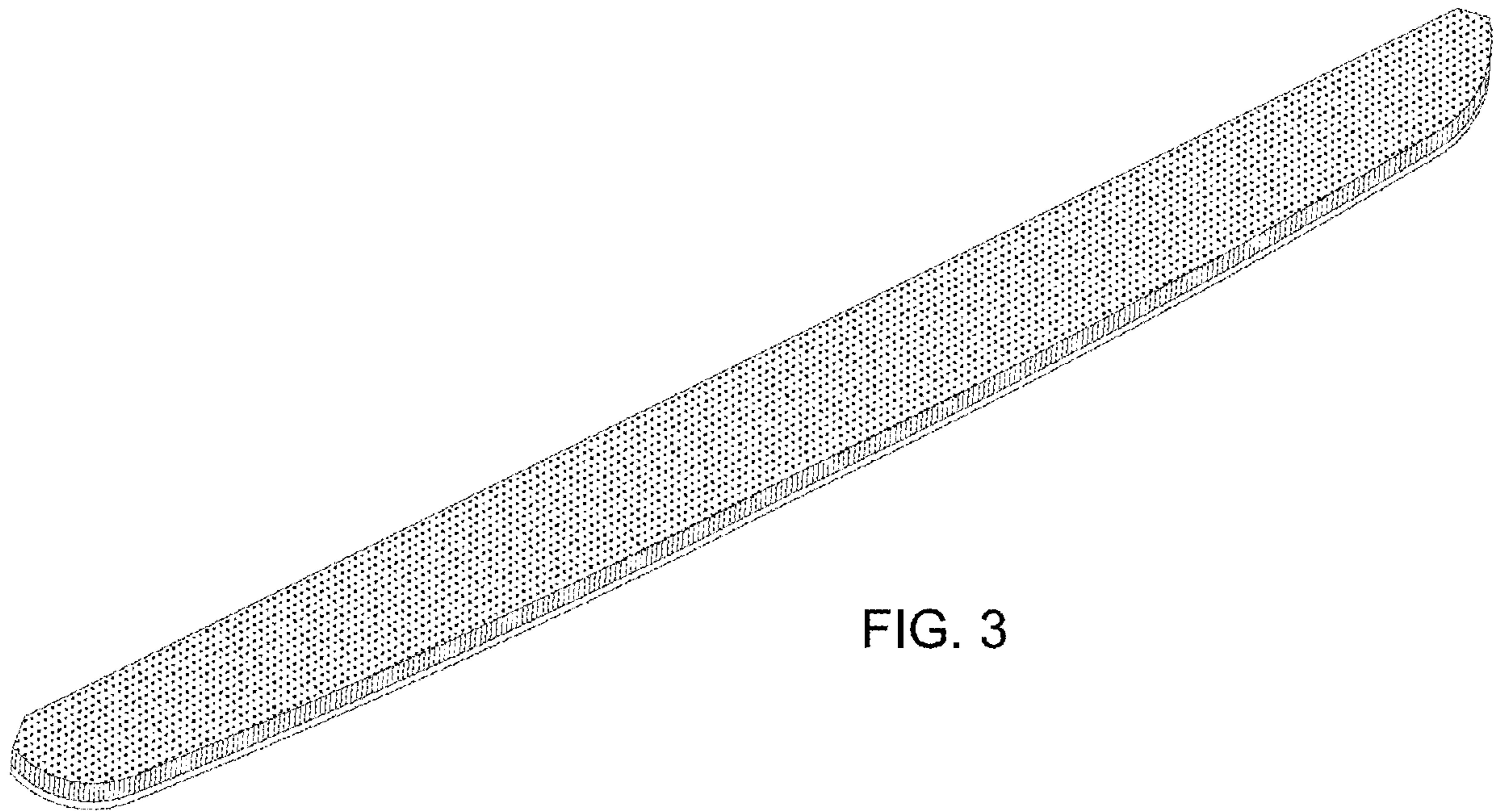


FIG. 3

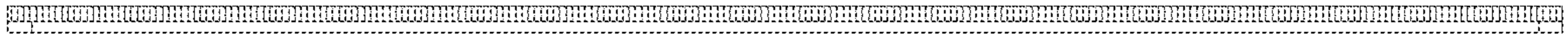


FIG. 4

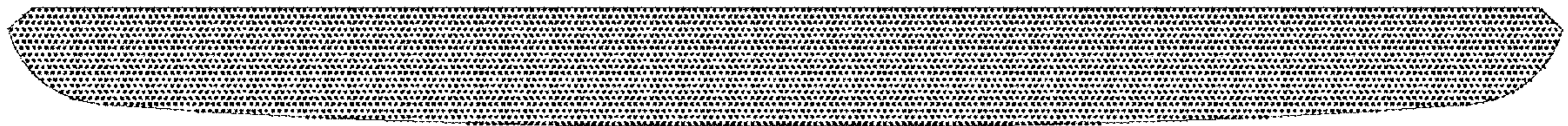


FIG. 5



FIG. 6



FIG. 7

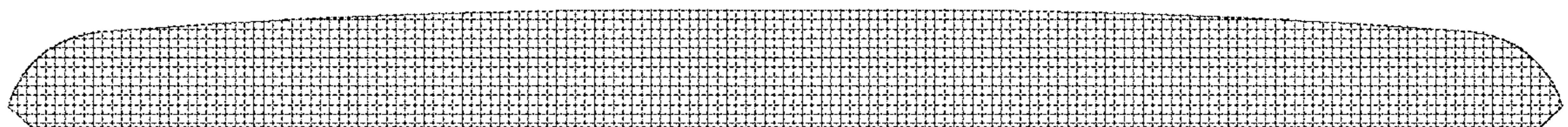


FIG. 8

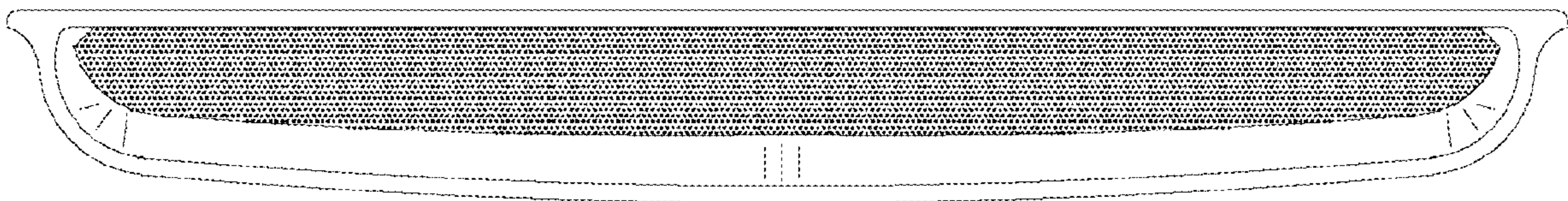


FIG. 9

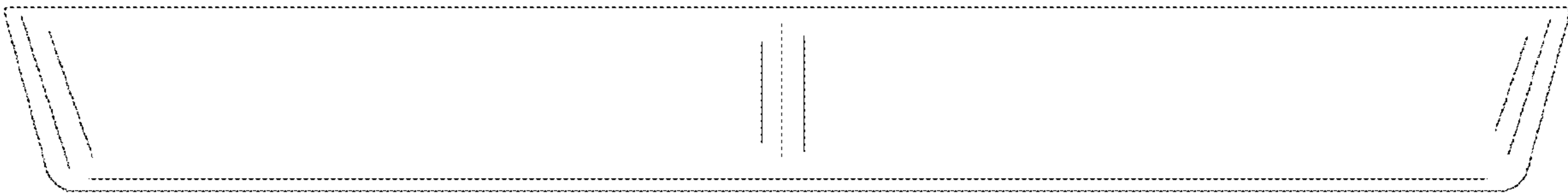


FIG. 10

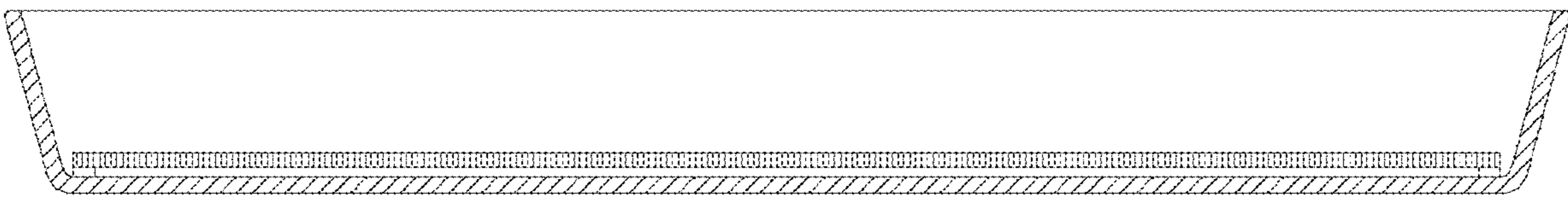


FIG. 11

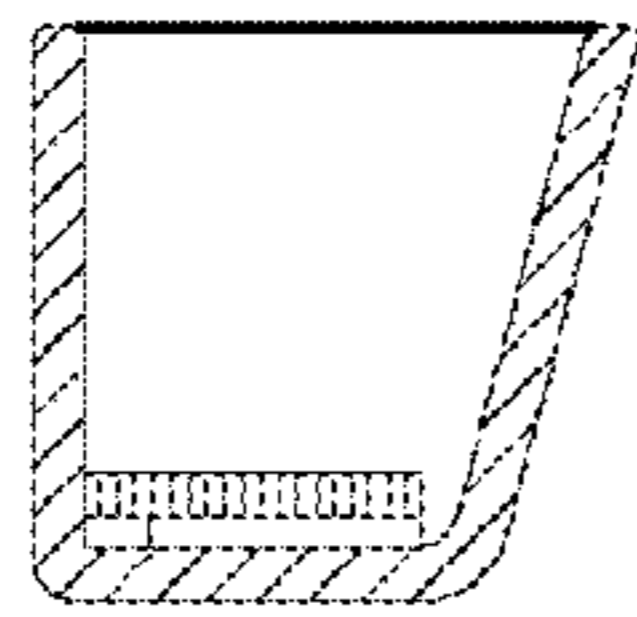


FIG. 12

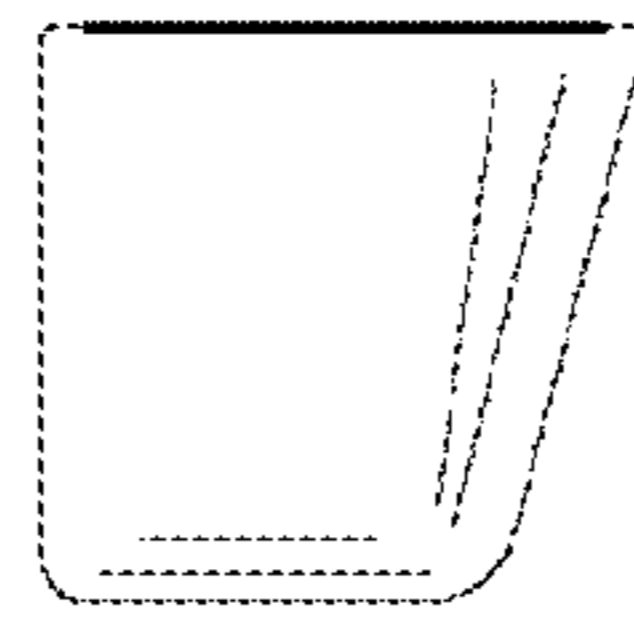


FIG. 13

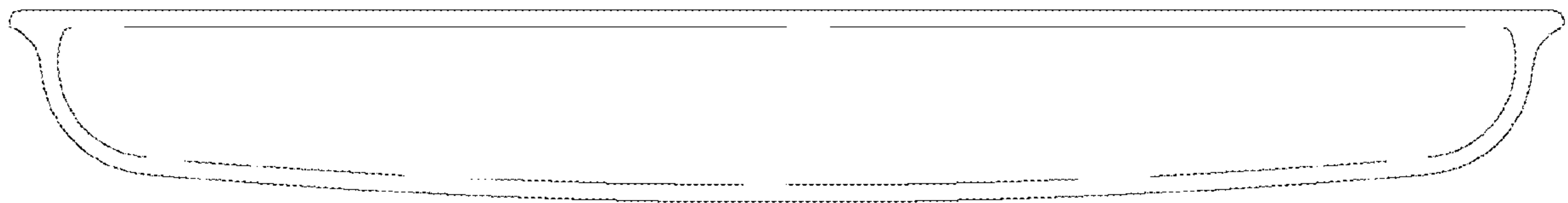


FIG. 14

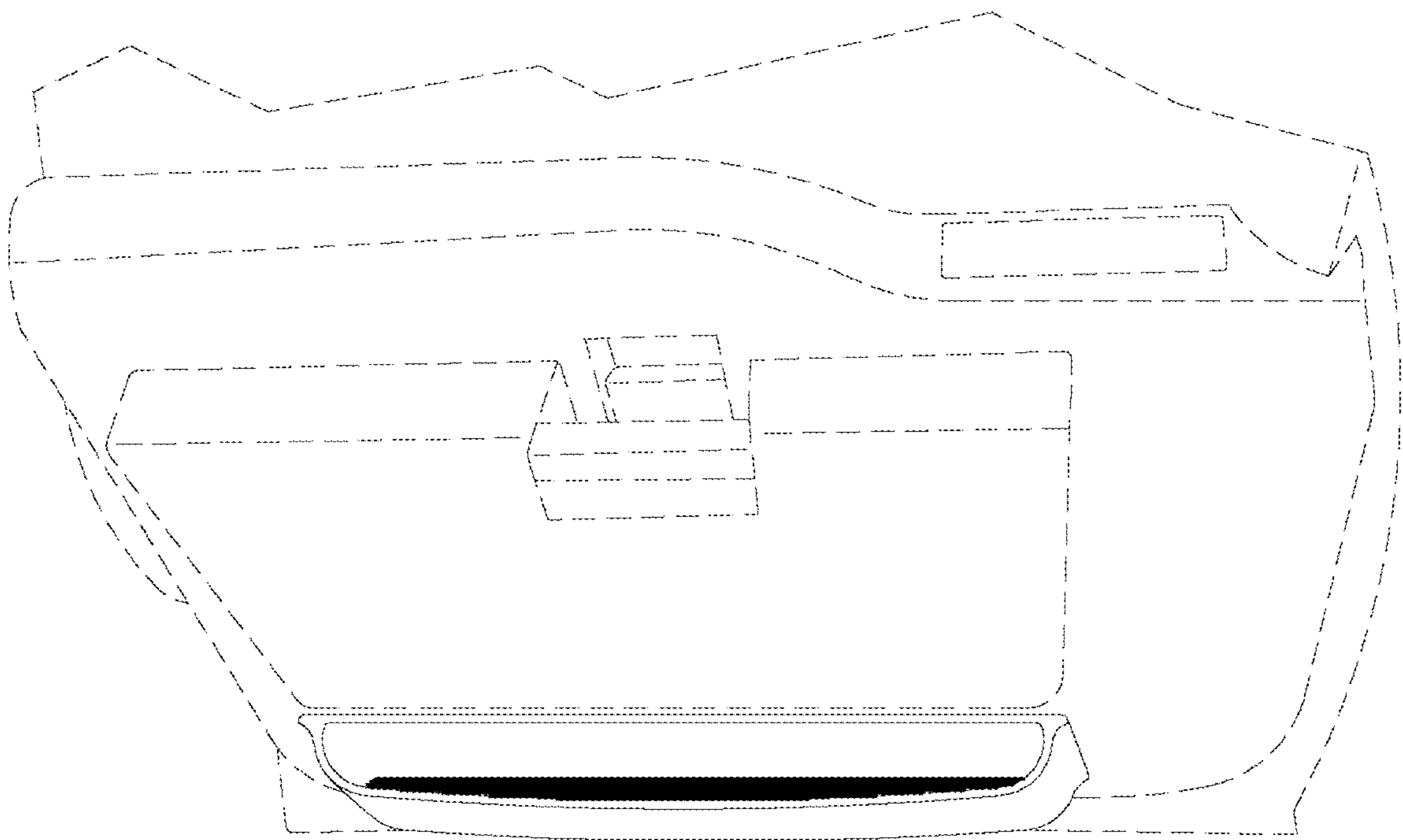


FIG. 15

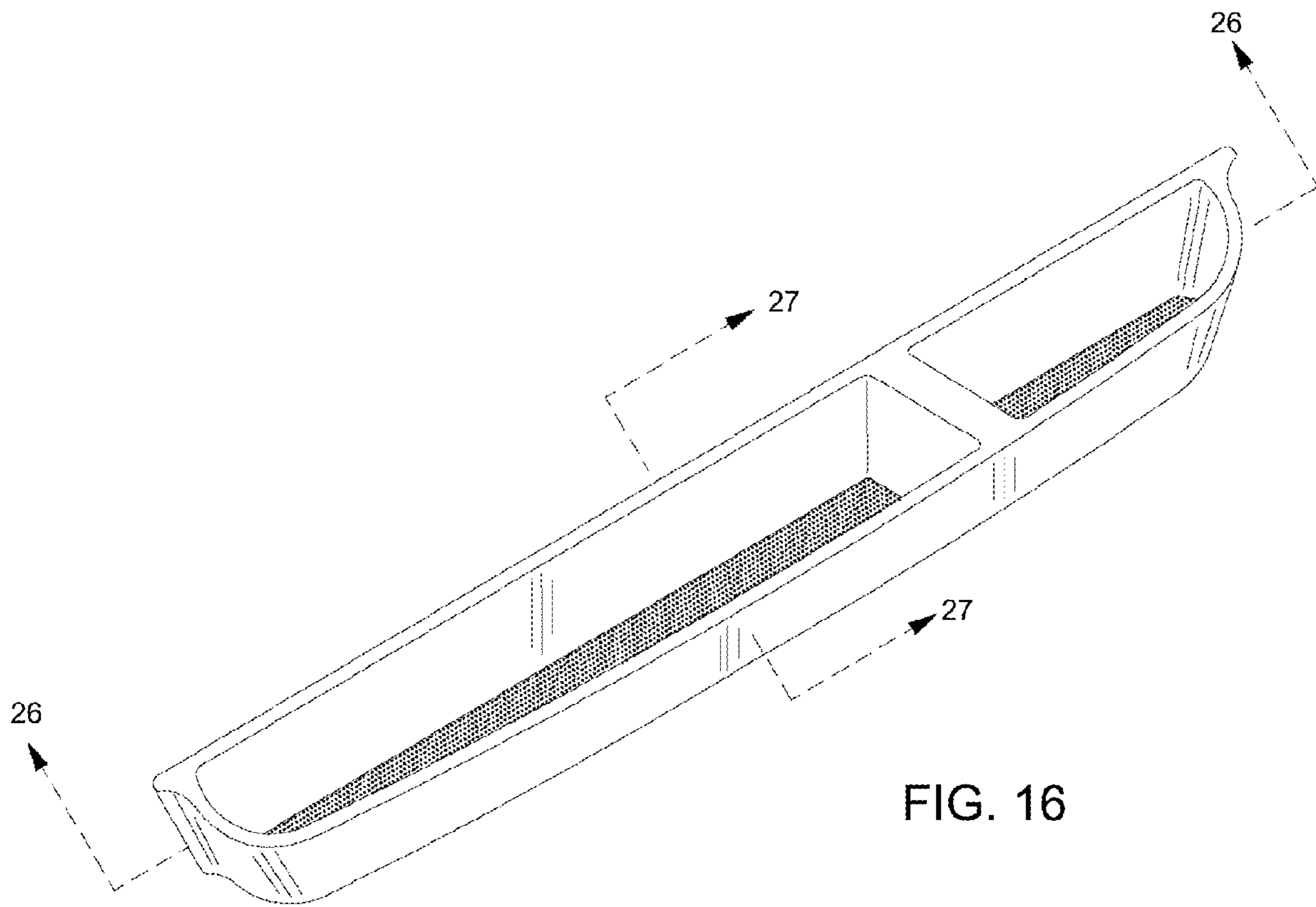


FIG. 16

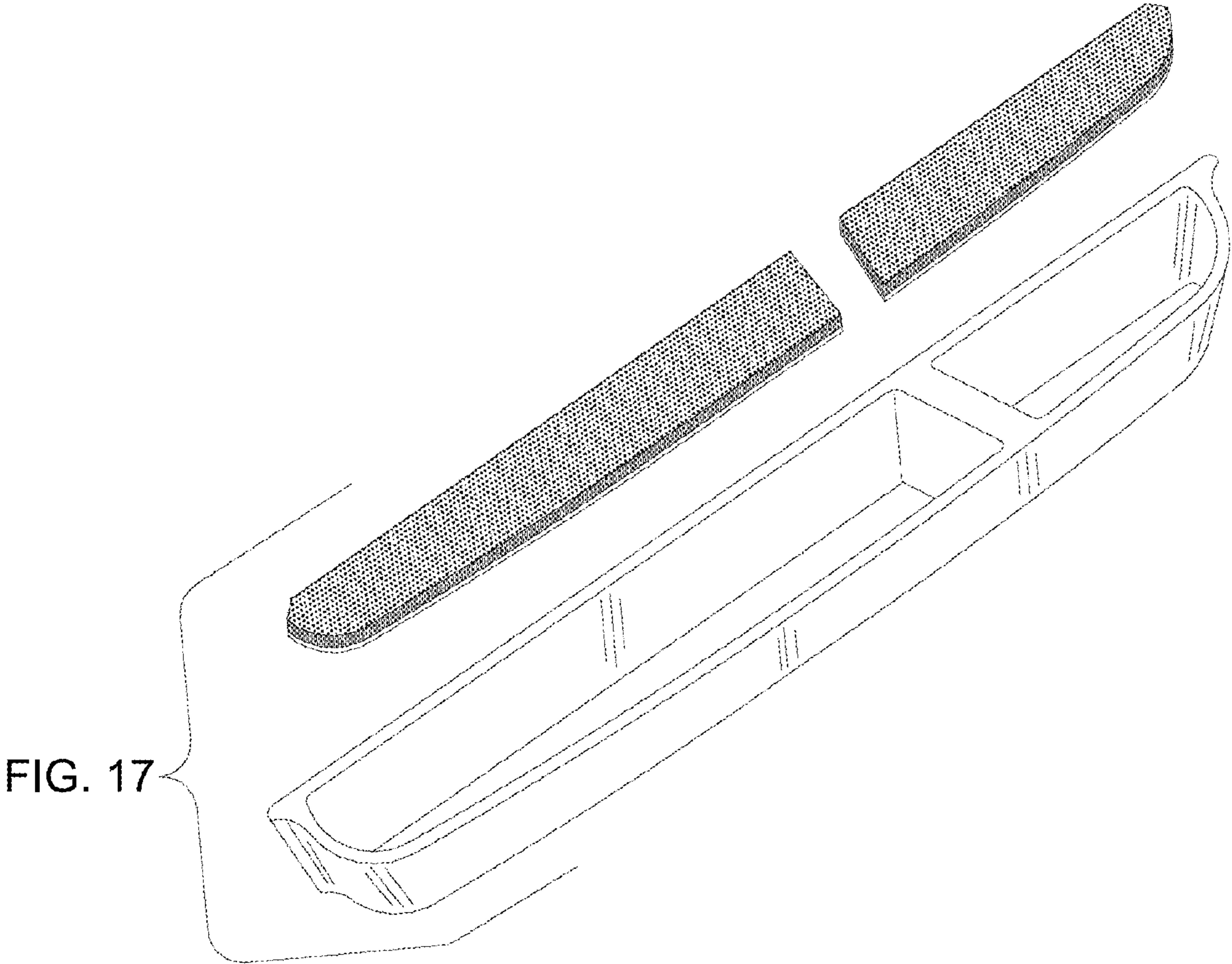


FIG. 17

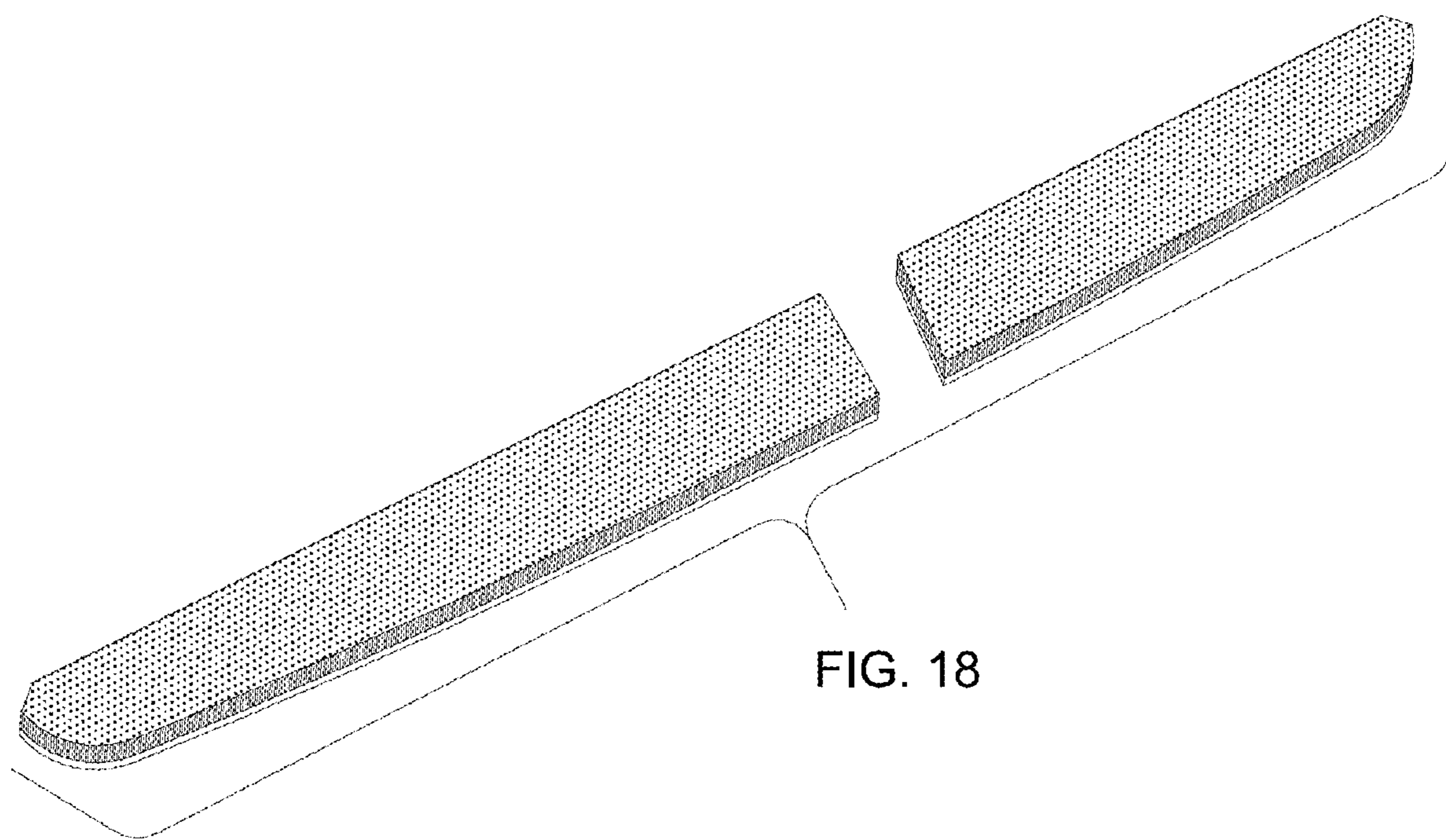


FIG. 18

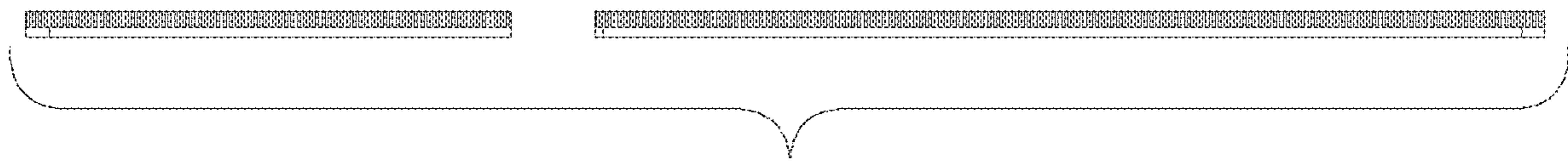


FIG. 19



FIG. 20

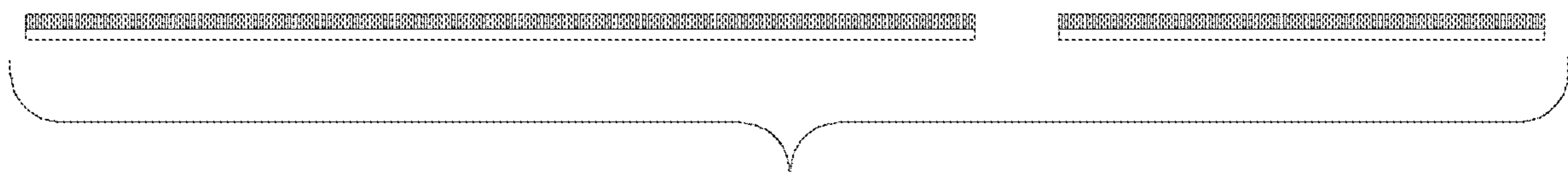


FIG. 21

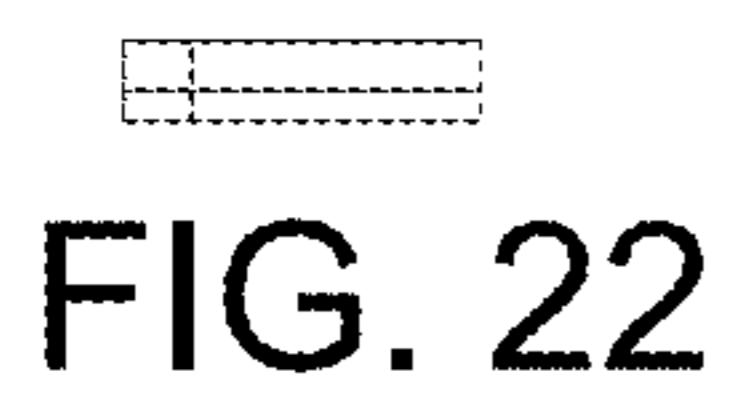


FIG. 22

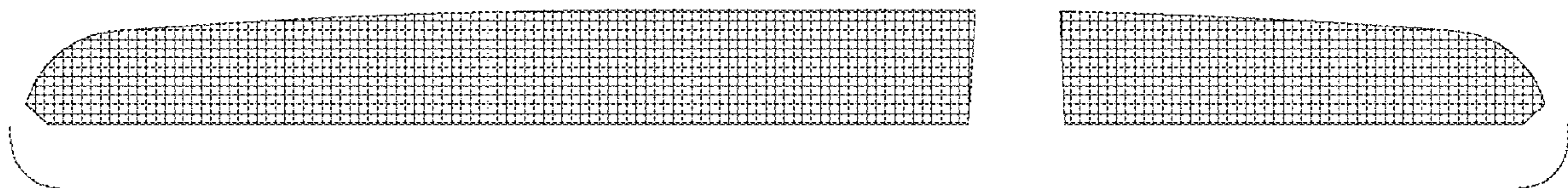


FIG. 23

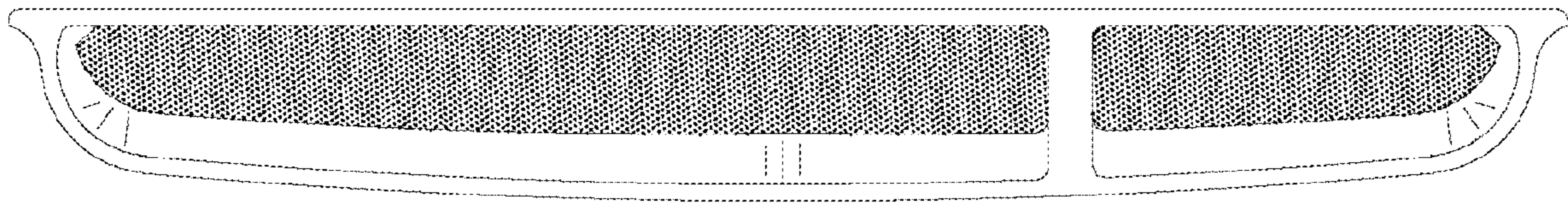


FIG. 24

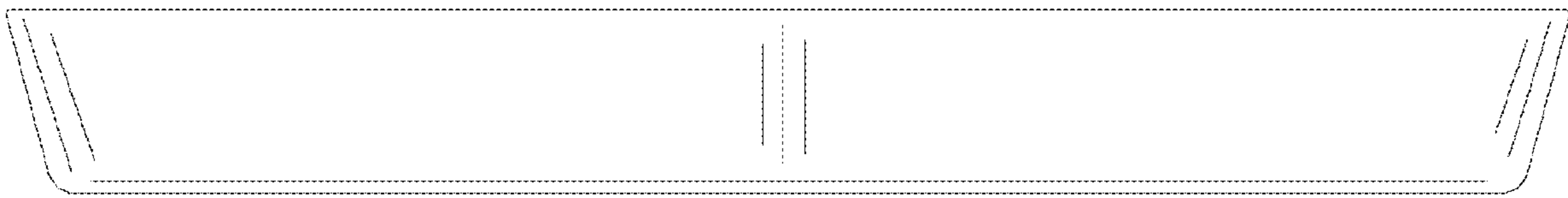


FIG. 25

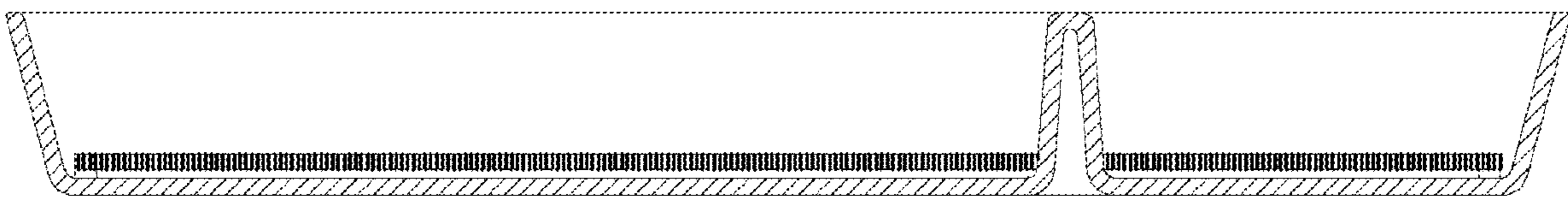


FIG. 26

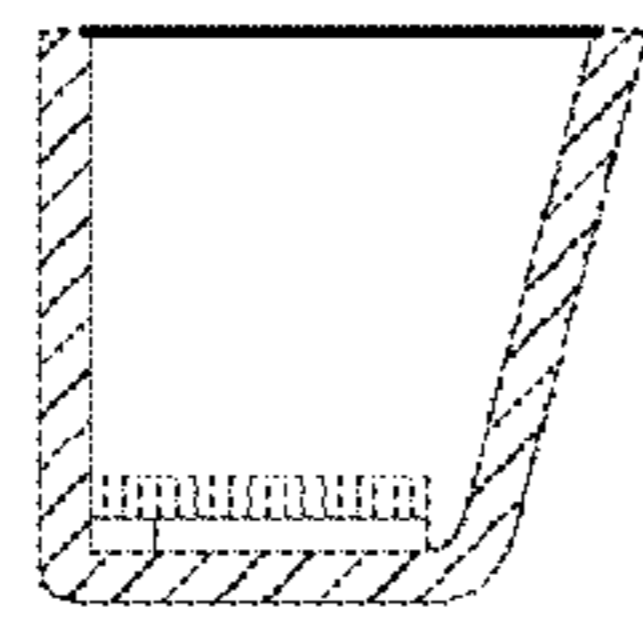


FIG. 27

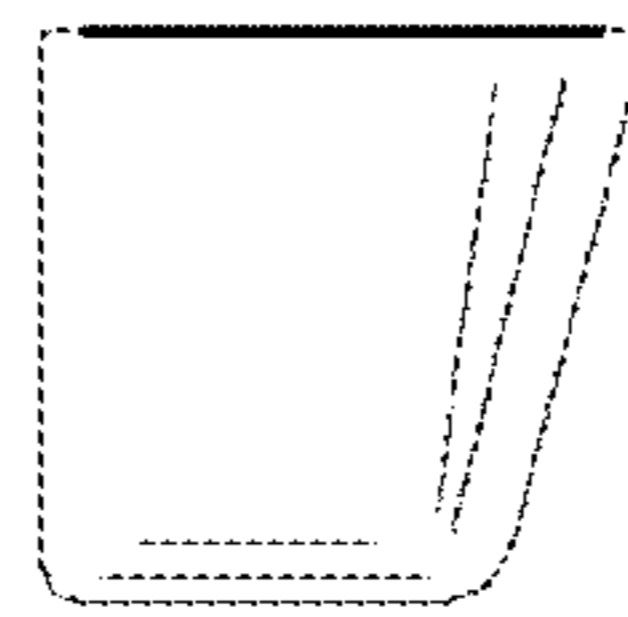


FIG. 28

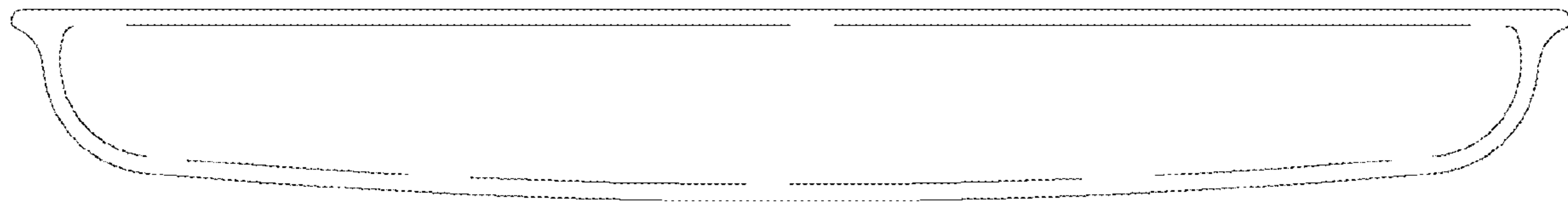


FIG. 29

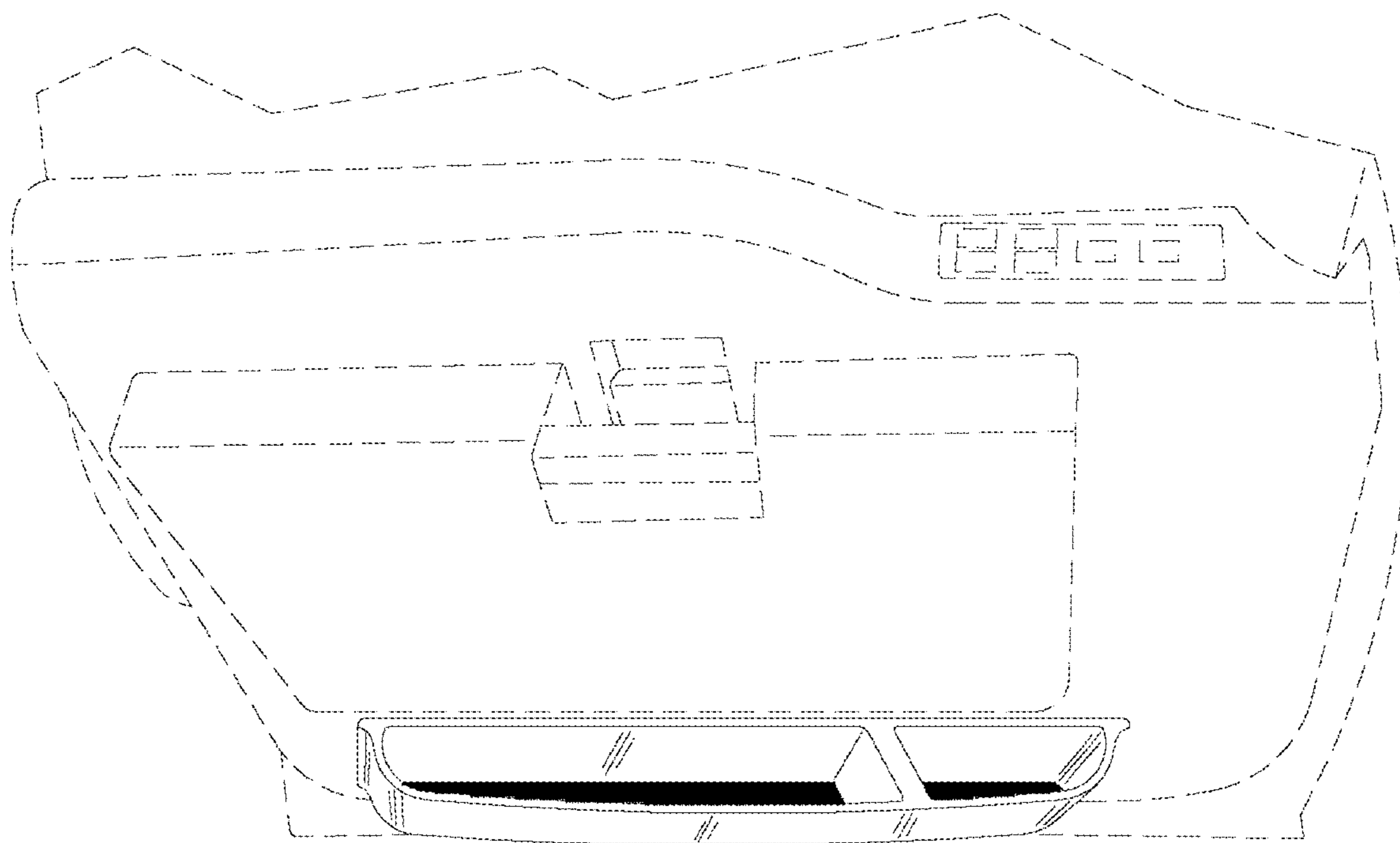


FIG. 30