



US00D913177S

(12) **United States Design Patent** (10) **Patent No.:** **US D913,177 S**  
**Cairo** (45) **Date of Patent:** **\*\* Mar. 16, 2021**

(54) **ELECTRONIC LICENSE PLATE**  
(71) Applicant: **Raul Cairo**, Miami, FL (US)  
(72) Inventor: **Raul Cairo**, Miami, FL (US)  
(\*\*) Term: **15 Years**  
(21) Appl. No.: **29/707,401**  
(22) Filed: **Sep. 27, 2019**

7,923,962 B2 4/2011 Jovanovich  
D638,964 S \* 5/2011 Cappuccio ..... D26/39  
8,250,366 B2 8/2012 Longobardi et al.  
D680,172 S \* 4/2013 Sanders ..... D20/17  
9,007,193 B2 4/2015 Boston et al.  
9,221,405 B2 12/2015 Davis  
D818,917 S \* 5/2018 Addy ..... D12/193  
D824,307 S \* 7/2018 Spencer ..... D12/193  
D833,352 S \* 11/2018 Reshetnyak ..... D12/193  
D859,010 S \* 9/2019 Burch ..... D6/301  
D870,624 S \* 12/2019 Filakousky ..... D12/193  
D870,625 S \* 12/2019 Filakousky ..... D12/193  
D896,362 S \* 9/2020 Riley ..... D23/366

(Continued)

**Related U.S. Application Data**

(63) Continuation-in-part of application No. 14/736,001,  
filed on Jun. 10, 2015, now abandoned.  
(51) **LOC (13) Cl.** ..... **12-16**  
(52) **U.S. Cl.**  
USPC ..... **D12/193**  
(58) **Field of Classification Search**  
USPC ..... D12/193; D6/300, 301, 302, 310, 311,  
D6/312, 313, 314; D20/13  
CPC ..... B60R 13/10; B60R 13/105; B60R 19/24;  
B60R 19/52  
See application file for complete search history.

*Primary Examiner* — Natasha Vujcic

(74) *Attorney, Agent, or Firm* — Boudwin Intellectual  
Property

(57) **CLAIM**

The ornamental design for an electronic license plate, shown  
and described.

**DESCRIPTION**

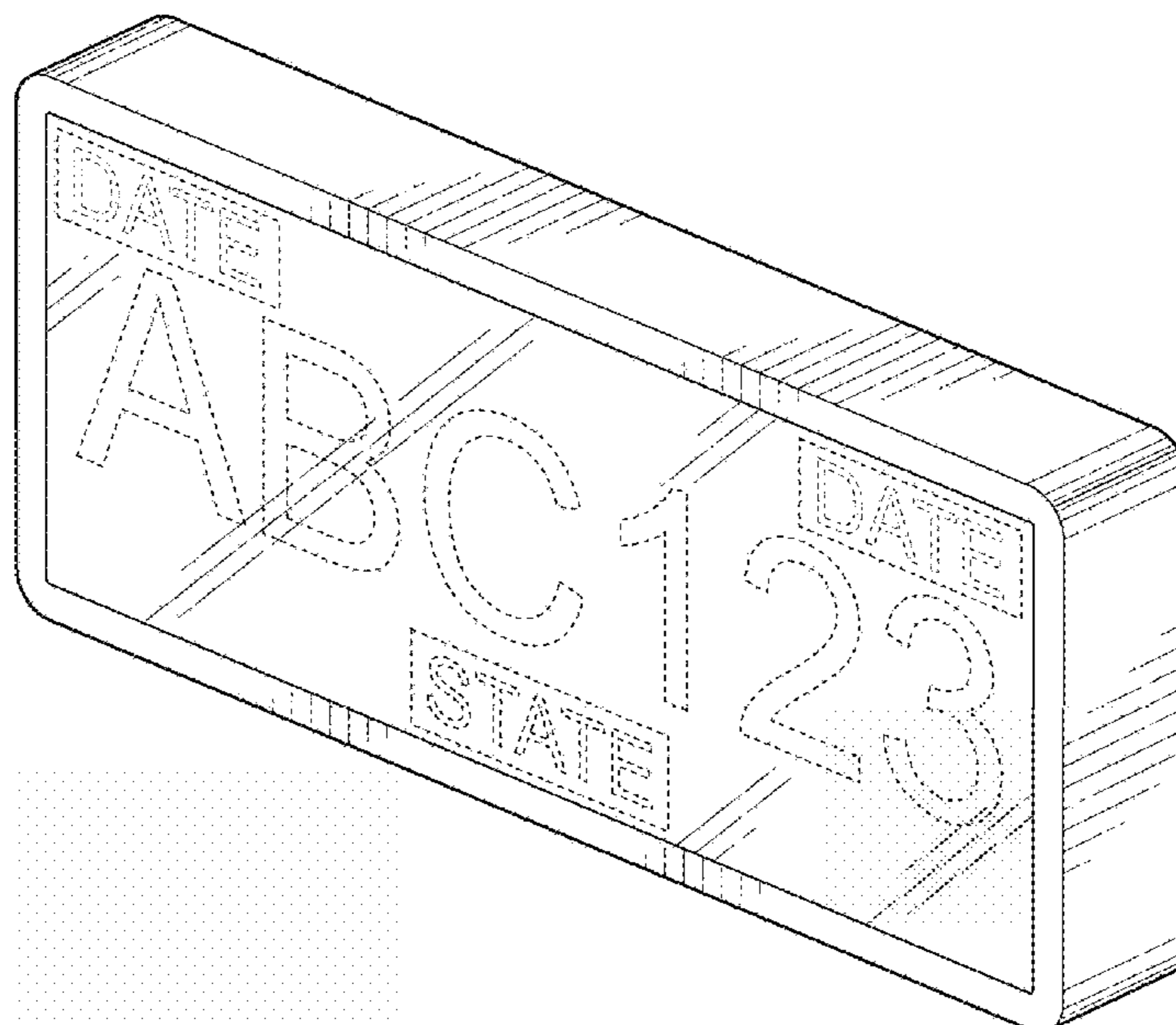
FIG. 1 shows a perspective view of an electronic license  
plate;  
FIG. 2 shows a front view of the electronic license plate;  
FIG. 3 shows a rear view of the electronic license plate;  
FIG. 4 shows a right side view of the electronic license plate;  
FIG. 5 shows a left side view of the electronic license plate.  
FIG. 6 shows a top plan view of the electronic license plate;  
and,  
FIG. 7 shows a bottom plan view of the electronic license  
plate.  
The shade lines in the Figures show contour and not surface  
ornamentation.  
The broken lines shown in the Figures show portions of the  
electronic license plate which form no part of the claimed  
design.

(56) **References Cited**

**U.S. PATENT DOCUMENTS**

4,001,822 A 1/1977 Sterzer  
5,105,179 A 4/1992 Smith  
D355,220 S \* 2/1995 Russo ..... D20/17  
5,657,008 A 8/1997 Bantli  
D430,901 S \* 9/2000 Palmer ..... D20/10  
6,404,327 B1 6/2002 Naddeo  
6,448,889 B1 9/2002 Hudson  
D516,125 S \* 2/2006 Fincher ..... D20/10  
7,551,088 B2 6/2009 Findlay et al.  
7,696,864 B2 4/2010 Dillon  
D624,598 S \* 9/2010 Chida ..... D20/43  
D625,234 S \* 10/2010 Vuletic ..... D12/193  
D631,514 S \* 1/2011 Baker ..... D20/17

**1 Claim, 3 Drawing Sheets**



(56)

**References Cited**

U.S. PATENT DOCUMENTS

2003/0112242	A1	6/2003	Vitale et al.
2004/0004539	A1	1/2004	Collins
2007/0150193	A1	6/2007	Sin et al.
2008/0252457	A1	10/2008	Findlay et al.
2009/0288320	A1	11/2009	Emam
2011/0046986	A1	2/2011	Thomas et al.
2012/0116640	A1	5/2012	Oh et al.
2012/0281605	A1	11/2012	Himmelstein
2015/0029078	A1	1/2015	Jose
2015/0194082	A1	7/2015	McEwan

\* cited by examiner

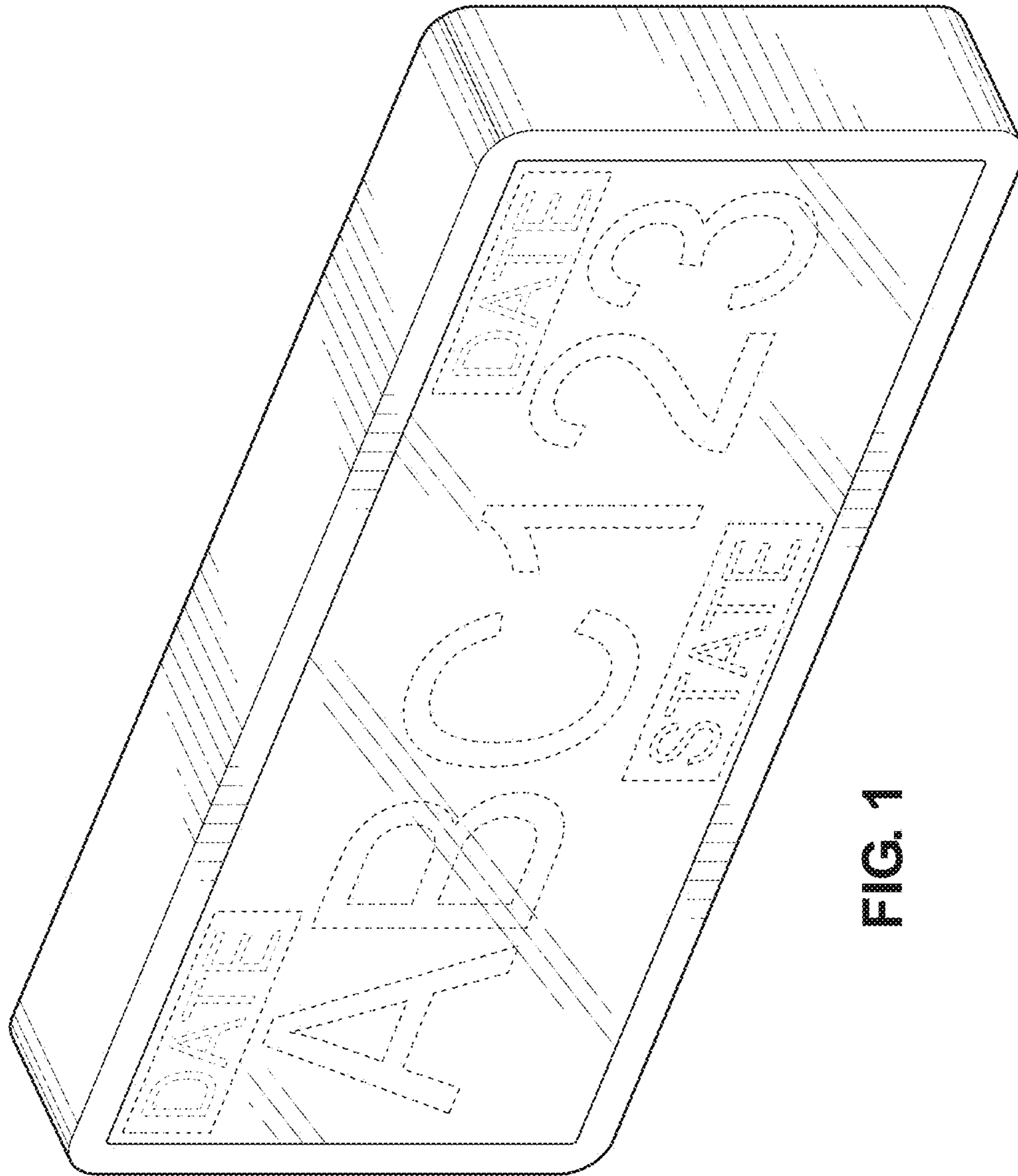


FIG. 1

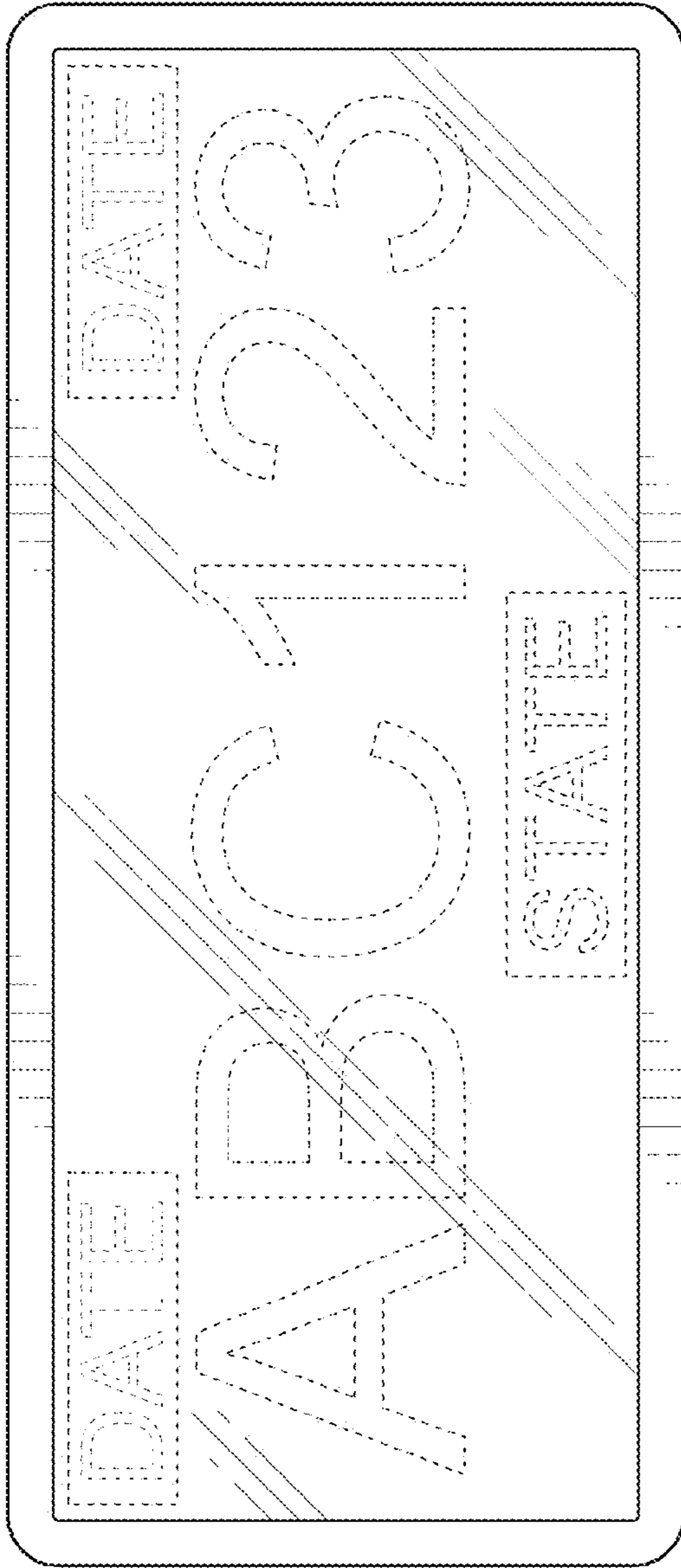


FIG. 2

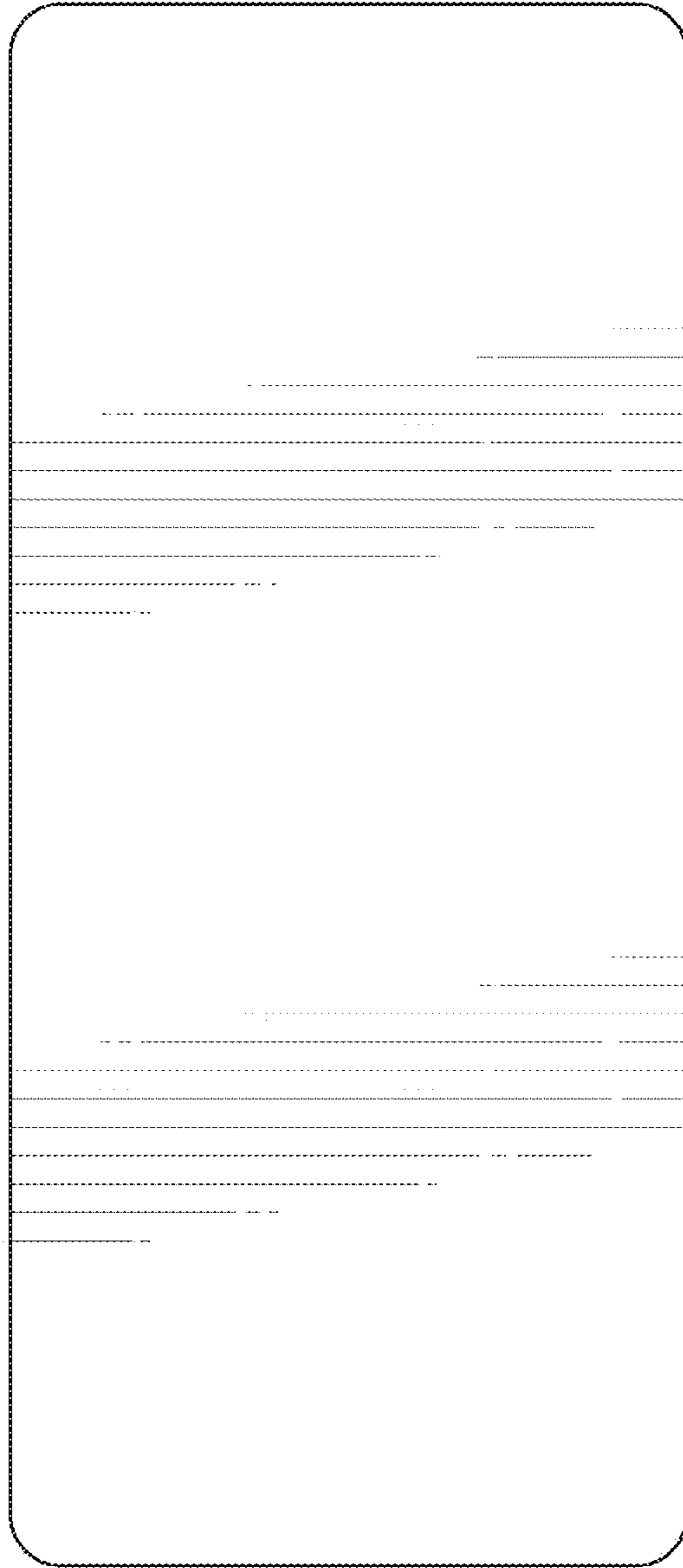


FIG. 3

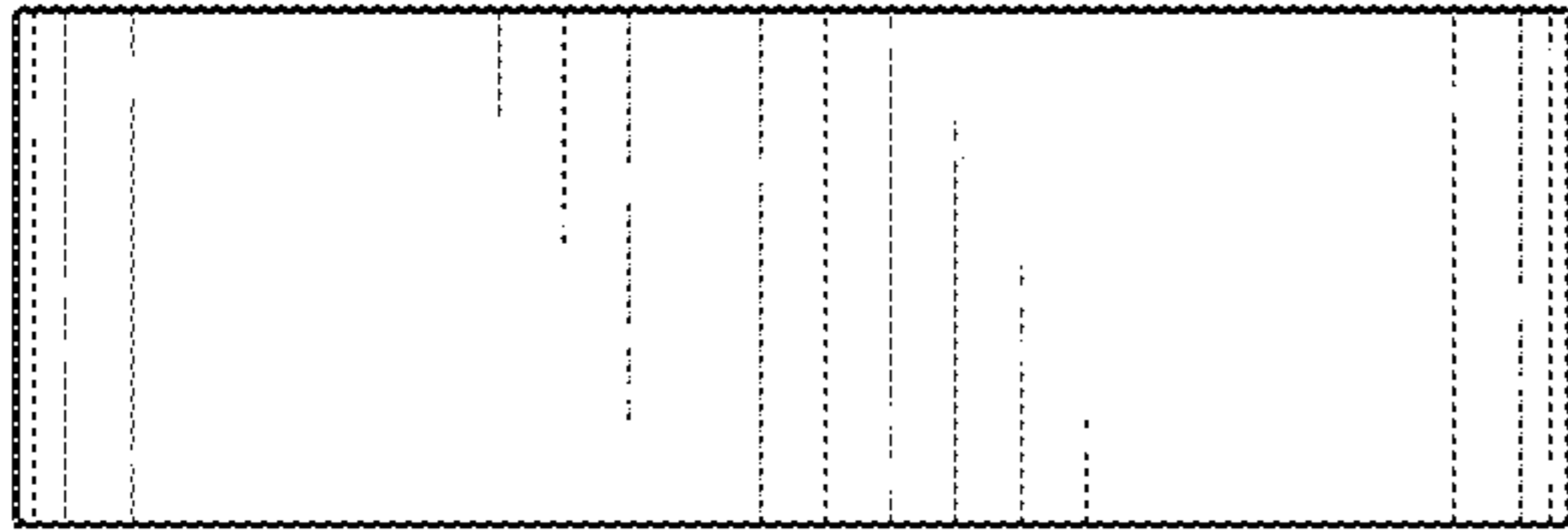


FIG. 4



FIG. 5

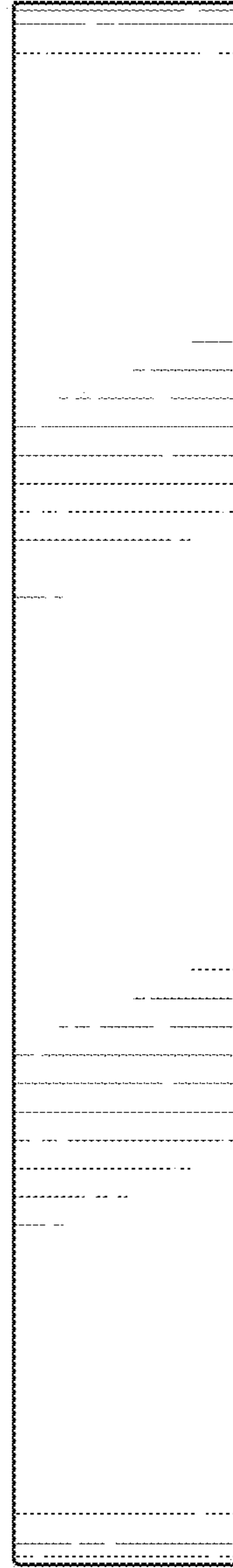


FIG. 6

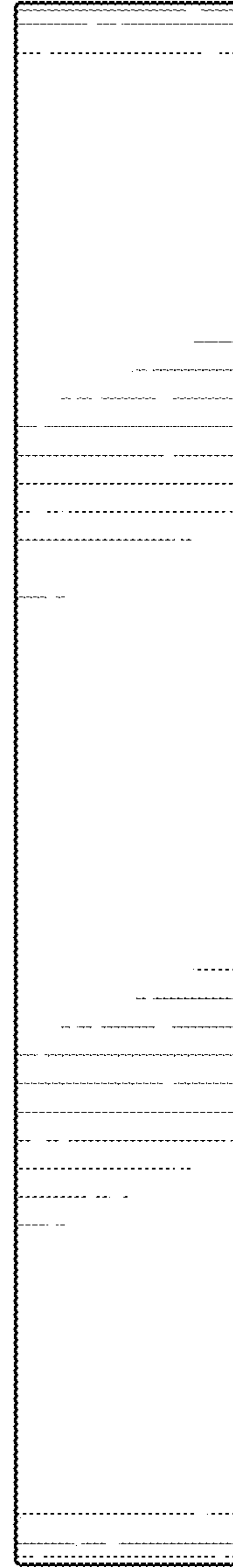


FIG. 7