



US00D913175S

(12) **United States Design Patent**  
**Spencer et al.**

(10) **Patent No.:** **US D913,175 S**  
(45) **Date of Patent:** **\*\* Mar. 16, 2021**

(54) **LICENSE PLATE FASTENER CAP**  
(71) Applicant: **Cruiser Accessories, LLC**, Monument, CO (US)  
(72) Inventors: **Todd R. Spencer**, Monument, CO (US); **M. Hunter Basenberg, Jr.**, Colorado Springs, CO (US); **Maureen G. Basenberg**, Colorado Springs, CO (US)

D689,802 S \* 9/2013 Spencer ..... D12/193  
D705,712 S \* 5/2014 Spencer ..... D12/193  
D726,828 S \* 4/2015 Spencer ..... D20/11  
D804,456 S \* 12/2017 Katopis ..... D14/223  
D806,246 S \* 12/2017 Schraga ..... D24/146  
D811,622 S \* 2/2018 Flood ..... D25/113  
D812,594 S \* 3/2018 Katopis ..... D14/223  
D824,801 S \* 8/2018 Spencer ..... D11/200  
D859,776 S \* 9/2019 Khan ..... D99/5  
D869,817 S \* 12/2019 White ..... D1/109  
D874,273 S \* 2/2020 Katopis ..... D9/451  
D898,974 S \* 10/2020 Hollinger ..... D26/73

(73) Assignee: **Cruiser Accessories, LLC**, Monument, CO (US)

\* cited by examiner

(\*\*) Term: **15 Years**

*Primary Examiner* — Natasha Vujcic

(21) Appl. No.: **29/654,405**

(74) *Attorney, Agent, or Firm* — Linda Flewellen Gould

(22) Filed: **Jun. 23, 2018**

(51) **LOC (13) Cl.** ..... **12-16**

(52) **U.S. Cl.**  
USPC ..... **D12/193**

(58) **Field of Classification Search**  
USPC ..... D12/193; D11/200, 204, 79, 87; D20/13  
CPC ..... B60R 13/10; B60R 13/105; B60R 19/24; B60R 19/52  
See application file for complete search history.

(57) **CLAIM**

The ornamental design for a license plate fastener cap, as shown and described.

**DESCRIPTION**

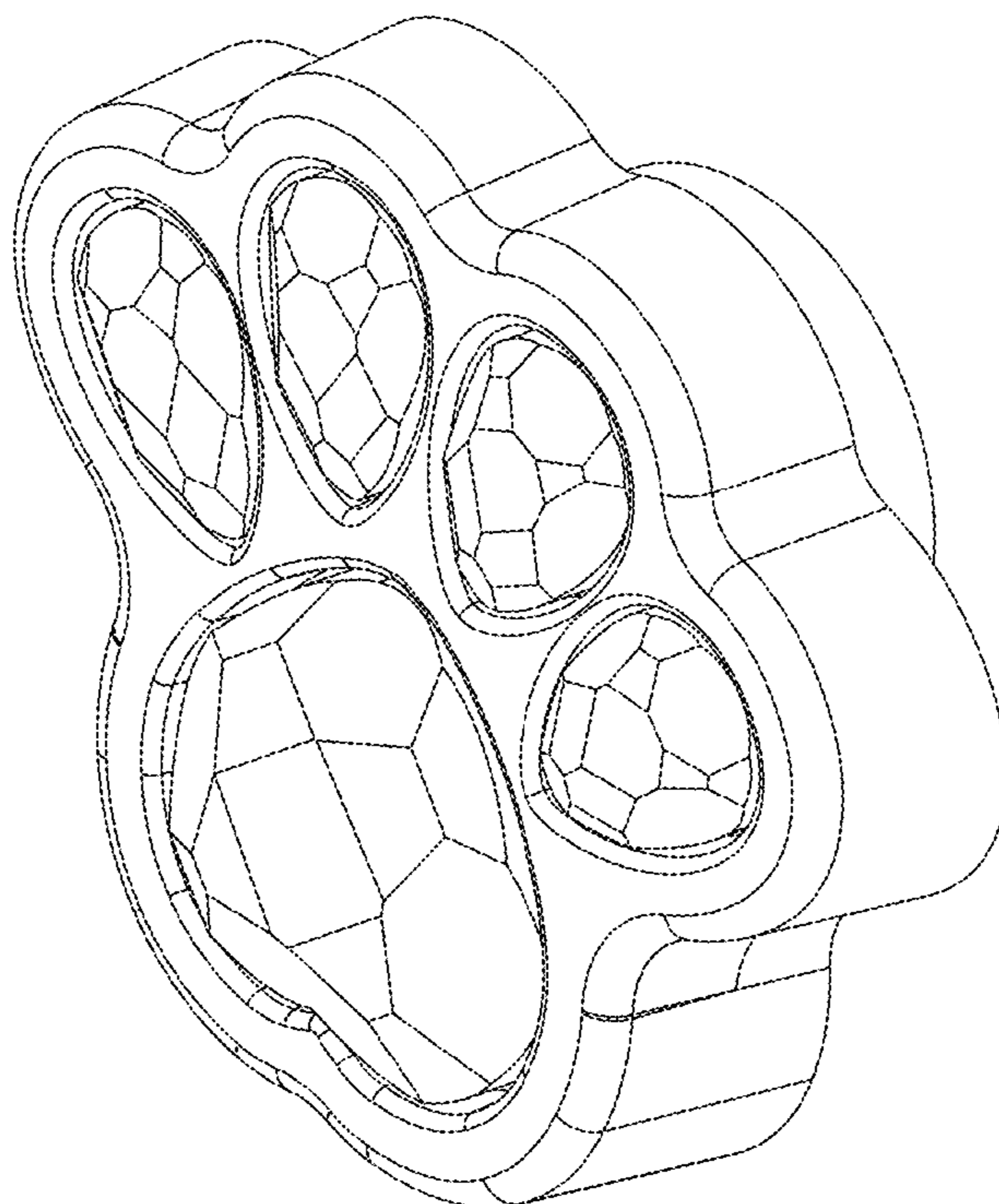
FIG. 1 is a perspective top and front view showing our new design for a license plate fastener cap.  
FIG. 2 is front view of the license plate fastener cap of the present invention.  
FIG. 3 is a bottom view of the license plate fastener cap of the present invention.  
FIG. 4 is a top view of the license plate fastener cap of the present invention.  
FIG. 5 is a right side view of the license plate fastener cap of the present invention; and,  
FIG. 6 is left side view of the license plate fastener cap of the present invention.

(56) **References Cited**

U.S. PATENT DOCUMENTS

D524,708 S \* 7/2006 Spencer ..... D12/193  
D572,141 S \* 7/2008 Slabaugh ..... D9/414  
D614,074 S \* 4/2010 Castaline ..... D11/79  
D682,442 S \* 5/2013 Nguyen ..... D24/224  
D685,565 S \* 7/2013 Bhandula ..... D99/1

**1 Claim, 3 Drawing Sheets**



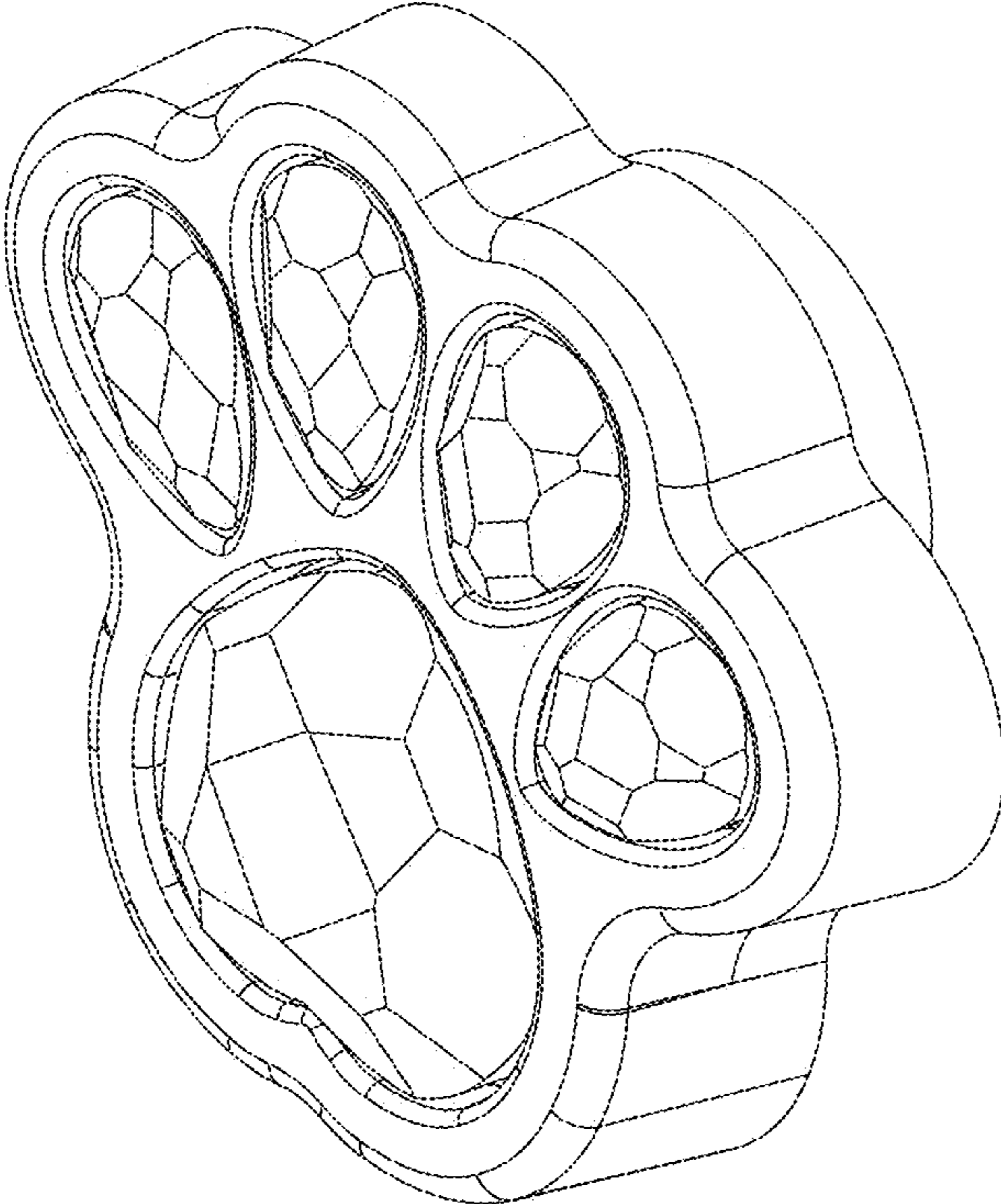


Fig. 1

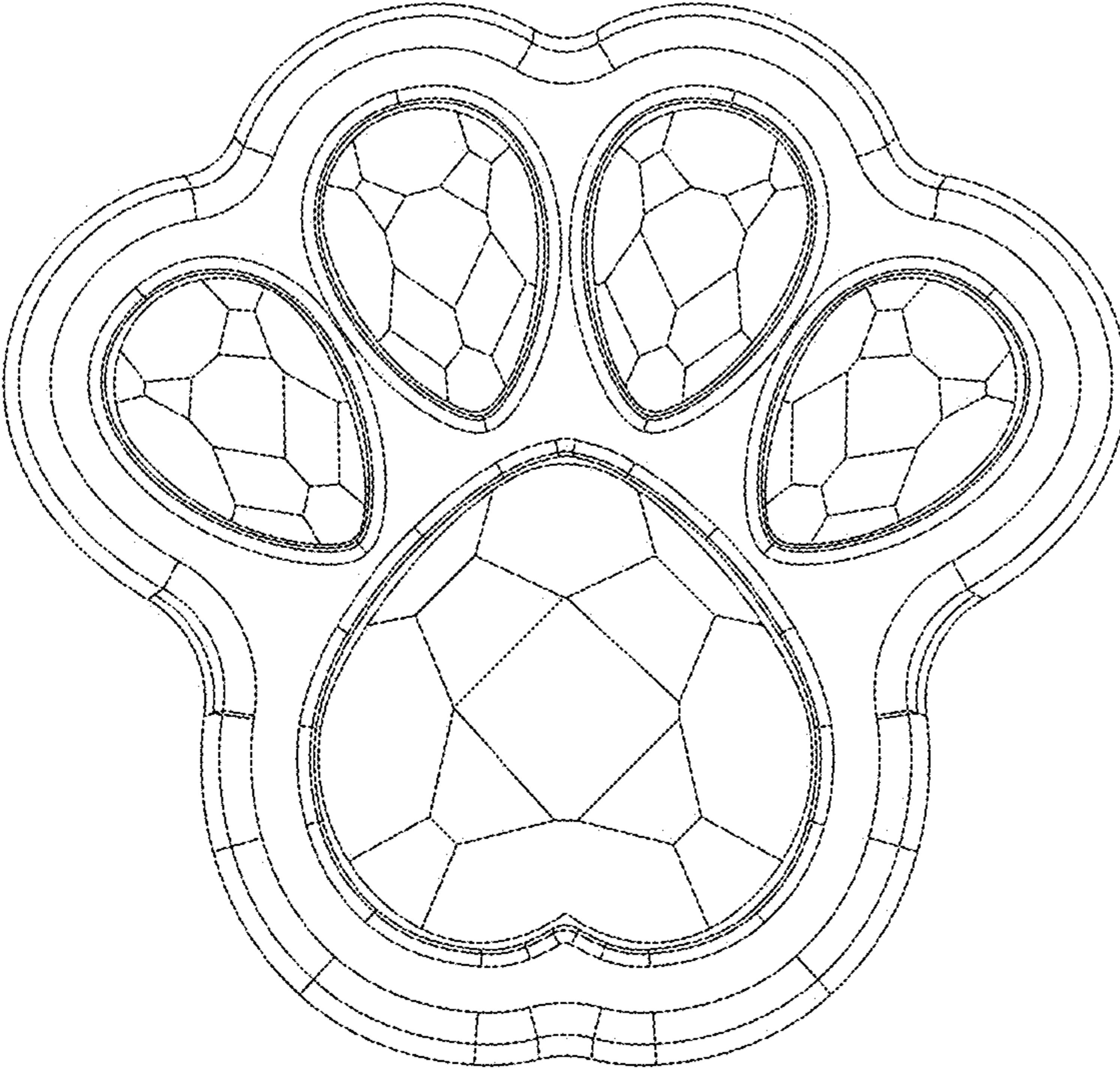


Fig. 2

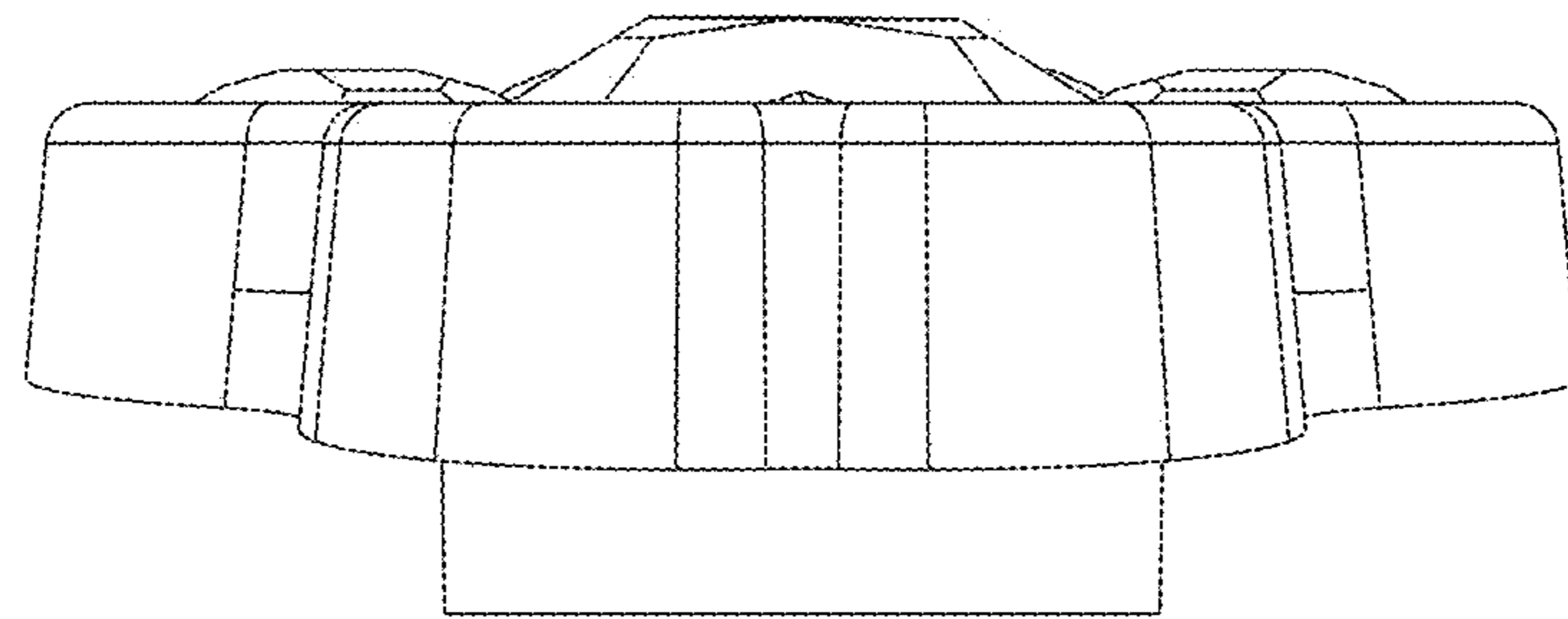


Fig. 3

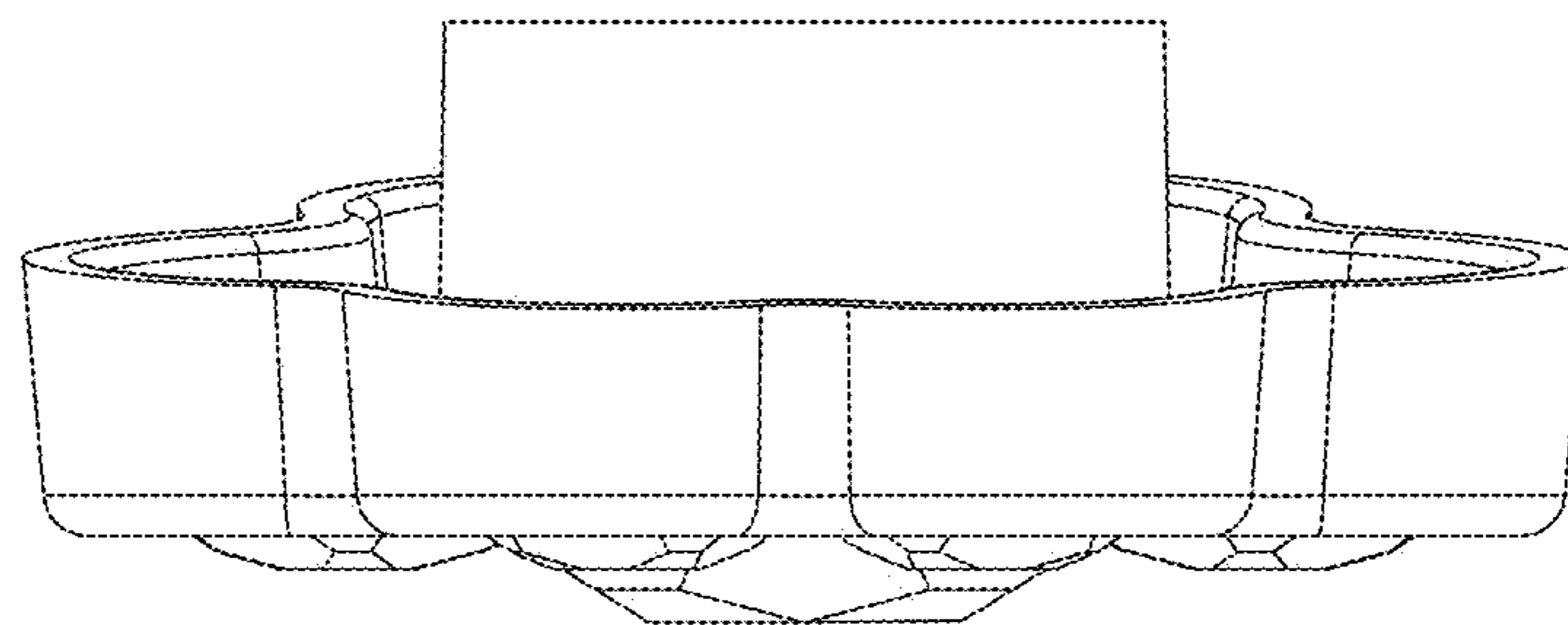


Fig. 4

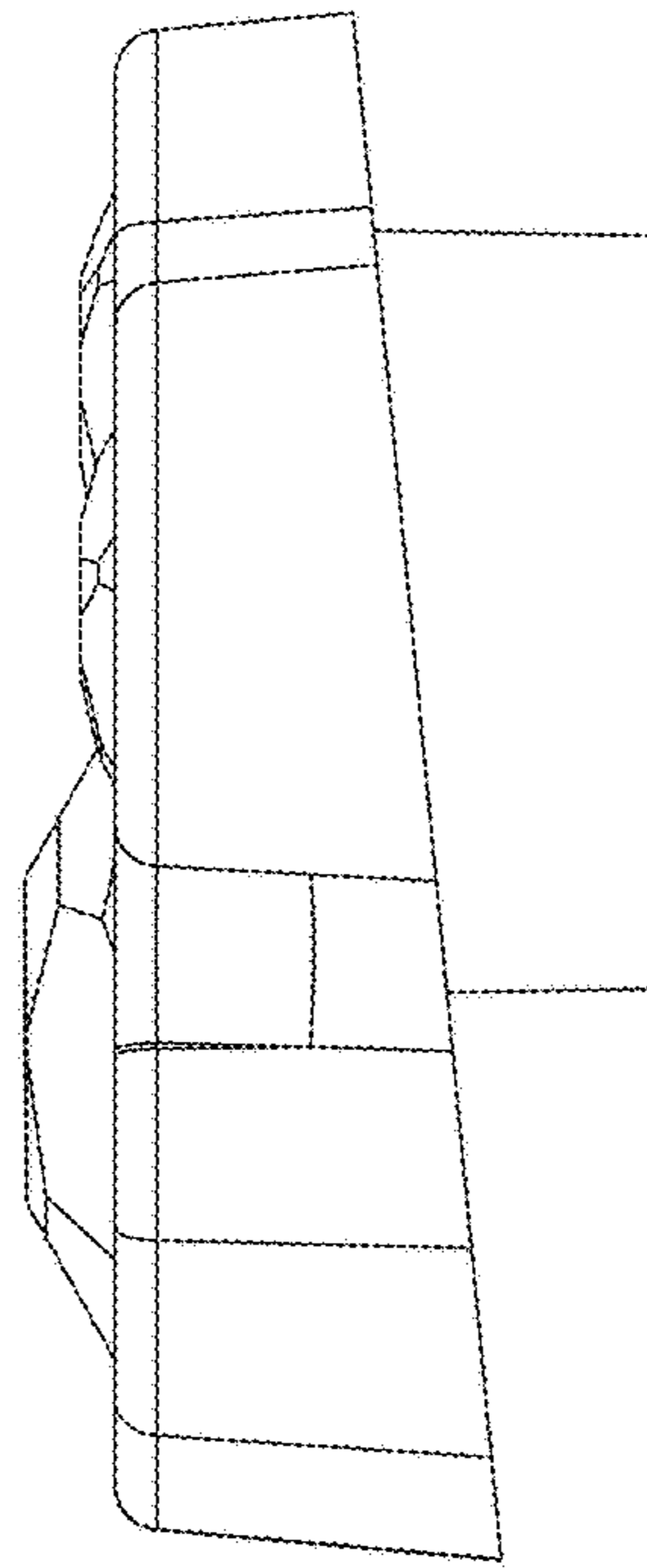


Fig. 5

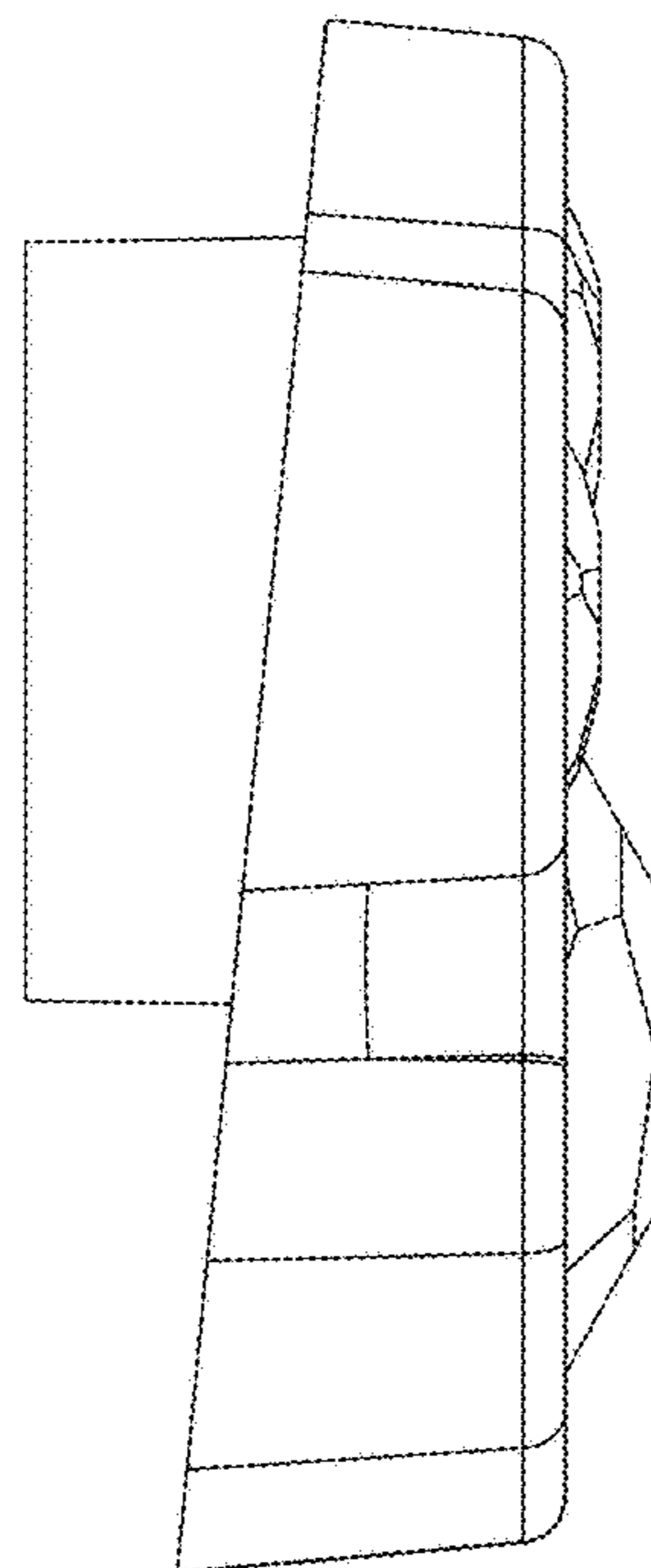


Fig. 6