



US00D913174S

(12) **United States Design Patent** (10) **Patent No.:** **US D913,174 S**  
**Kim et al.** (45) **Date of Patent:** **\*\* Mar. 16, 2021**

(54) **DISPLAY SCREEN FOR AUTOMOBILE**

D817,257 S \* 5/2018 Lampkin ..... D12/415  
D827,643 S \* 9/2018 Jung ..... D14/374  
D832,754 S \* 11/2018 Ryu ..... D12/192  
D848,919 S \* 5/2019 Kang ..... D12/192

(71) Applicant: **LG Electronics Inc.**, Seoul (KR)

(72) Inventors: **Hansoo Kim**, Seoul (KR); **Sangmin Park**, Seoul (KR); **Sewon Chun**, Seoul (KR); **Seunghwan Song**, Seoul (KR)

(Continued)  
*Primary Examiner* — George D. Kirschbaum  
*Assistant Examiner* — Joseph J Kukella  
(74) *Attorney, Agent, or Firm* — Birch, Stewart, Kolasch & Birch, LLP

(73) Assignee: **LG ELECTRONICS INC.**, Seoul (KR)

(\*\*) Term: **15 Years**

(57) **CLAIM**

(21) Appl. No.: **35/508,164**

The ornamental design for a display screen for automobile, as shown and described.

(22) Filed: **Jun. 19, 2019**

**DESCRIPTION**

(80) **Hague Agreement Data**

Int. Filing Date: **Jun. 19, 2019**  
Int. Reg. No.: **DM/204232**  
Int. Reg. Date: **Jun. 19, 2019**  
Int. Reg. Pub. Date: **Dec. 20, 2019**

- 1. Display screen for automobile
- 1.1 : Perspective
- 1.2 : Front
- 1.3 : Back
- 1.4 : Left
- 1.5 : Top
- 1.6 : Bottom
- 1.7 : Reference view
- 1.8 : Reference view 2

(30) **Foreign Application Priority Data**

Dec. 19, 2018 (KR) ..... 30-2018-0060105

(51) **LOC (13) Cl.** ..... **14-03**

(52) **U.S. Cl.**  
USPC ..... **D12/192**

(58) **Field of Classification Search**  
USPC ..... D12/174, 175, 177, 192, 415;  
D14/126–129, 133, 373, 374, 388, 389;  
D21/385

CPC .. B60K 37/04; B60K 37/06; B60K 2370/143;  
B60K 2370/1434; B60K 2370/1438  
See application file for complete search history.

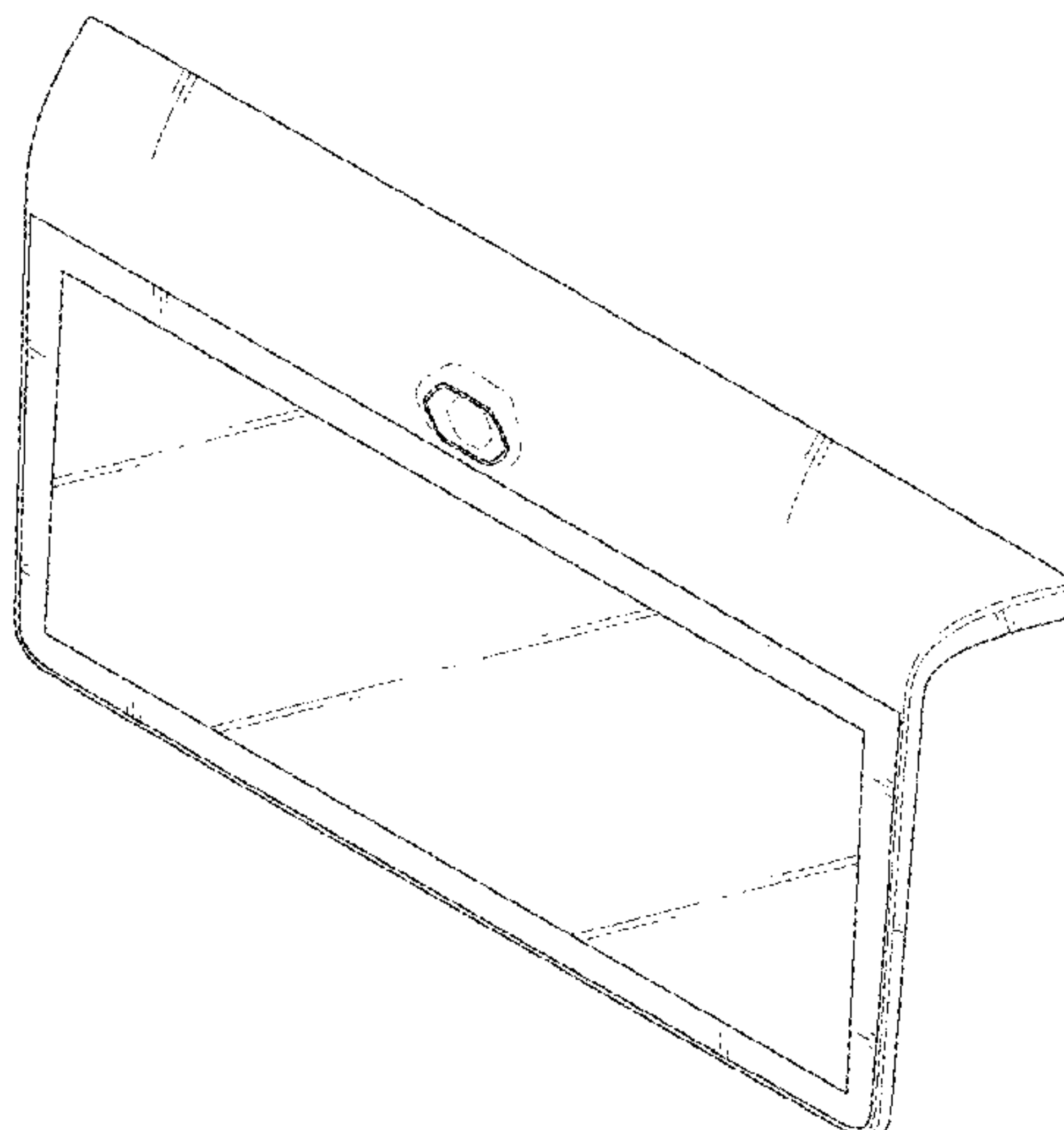
The broken lines depict portions of display screen for automobile that form no part of the claimed design; reproduction 1.1 is a front perspective view of the display screen for automobile; reproduction 1.2 is a front view thereof; reproduction 1.3 is a back view thereof; reproduction 1.4 is a left view thereof where the right view is a mirror image; reproduction 1.5 is a top view thereof; reproduction 1.6 is a bottom view thereof; reproduction 1.7 is a reference view showing the movement of the vertical angle and forms no part of the claimed design; reproduction 1.8 is a reference view showing the use state in which the claimed design has been installed on the back of the seat on an automobile and forms no part of the claimed design; this design is for a rear seat entertainment display screen for automobile with hinge structures for adjusting angles according to the user's height and view.

(56) **References Cited**

**U.S. PATENT DOCUMENTS**

D725,579 S \* 3/2015 Becouarn ..... D12/345  
D771,041 S \* 11/2016 Bae ..... D14/374  
D774,032 S \* 12/2016 Bae ..... D14/374

**1 Claim, 8 Drawing Sheets**



(56)

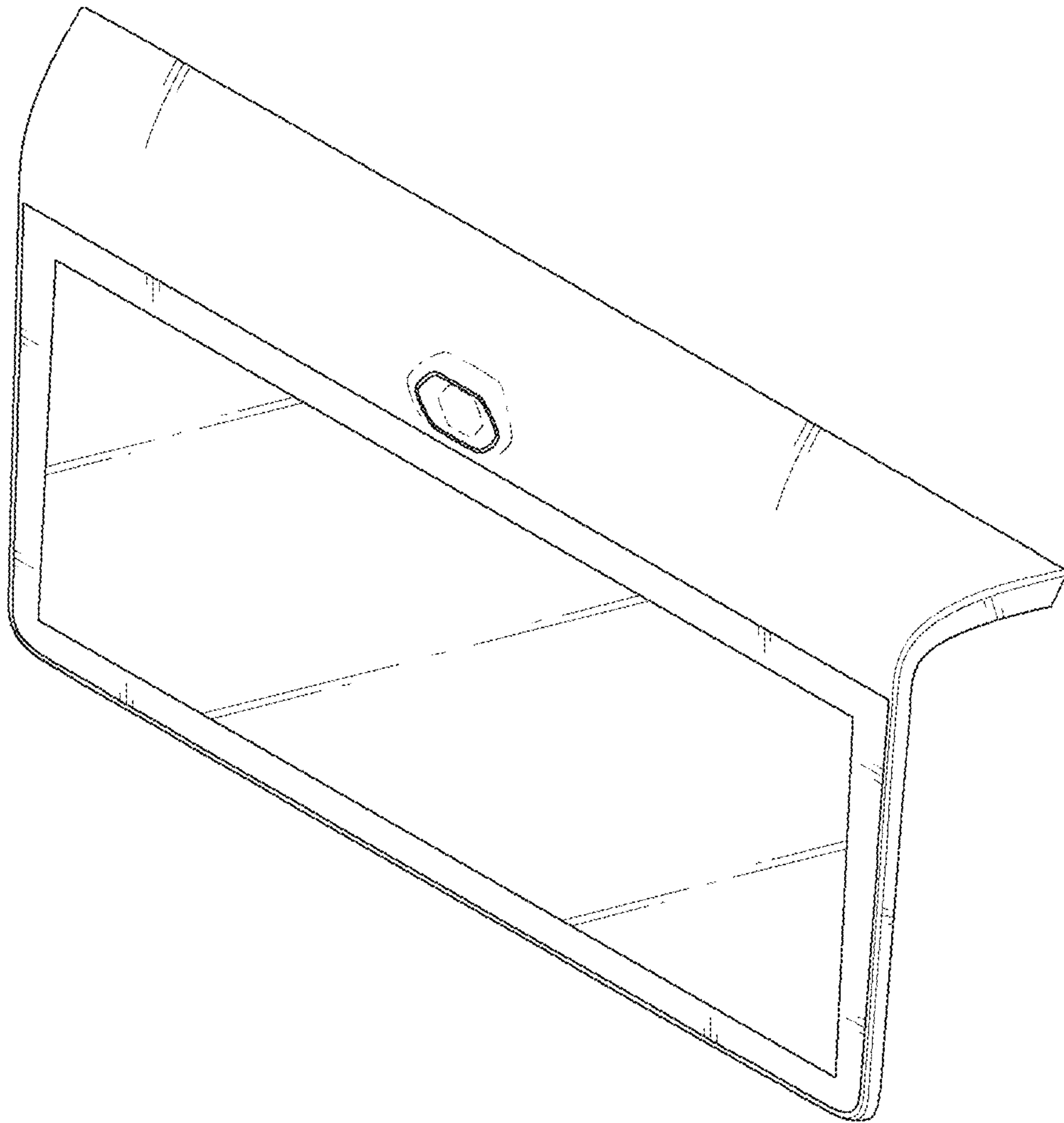
**References Cited**

U.S. PATENT DOCUMENTS

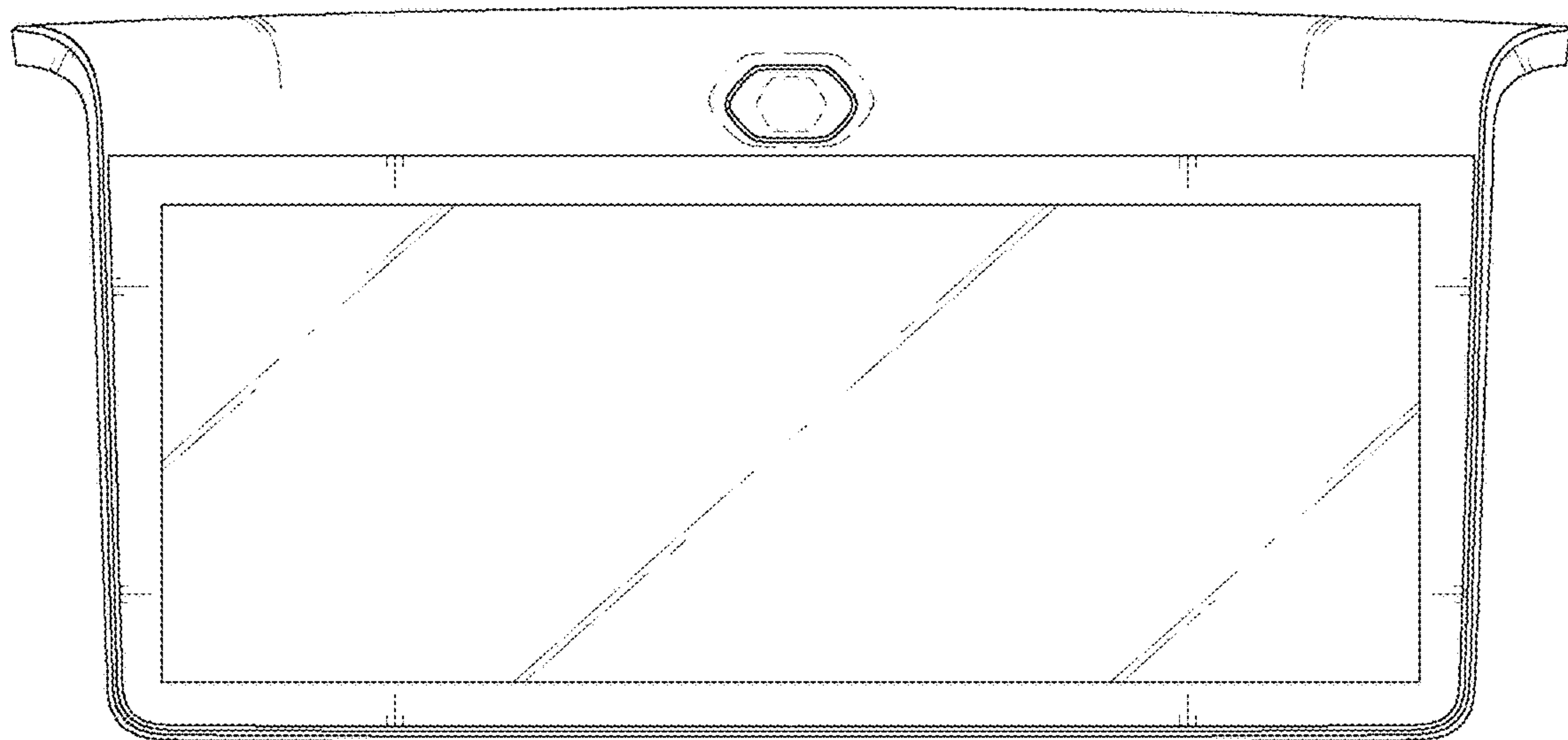
D852,100 S	*	6/2019	Ko	.....	D12/192
D863,204 S	*	10/2019	Ryou	.....	D12/415
D865,604 S	*	11/2019	Kang	.....	D12/192
D878,988 S	*	3/2020	Ryou	.....	D12/192
D886,027 S	*	6/2020	Engelmann	.....	D12/415

\* cited by examiner

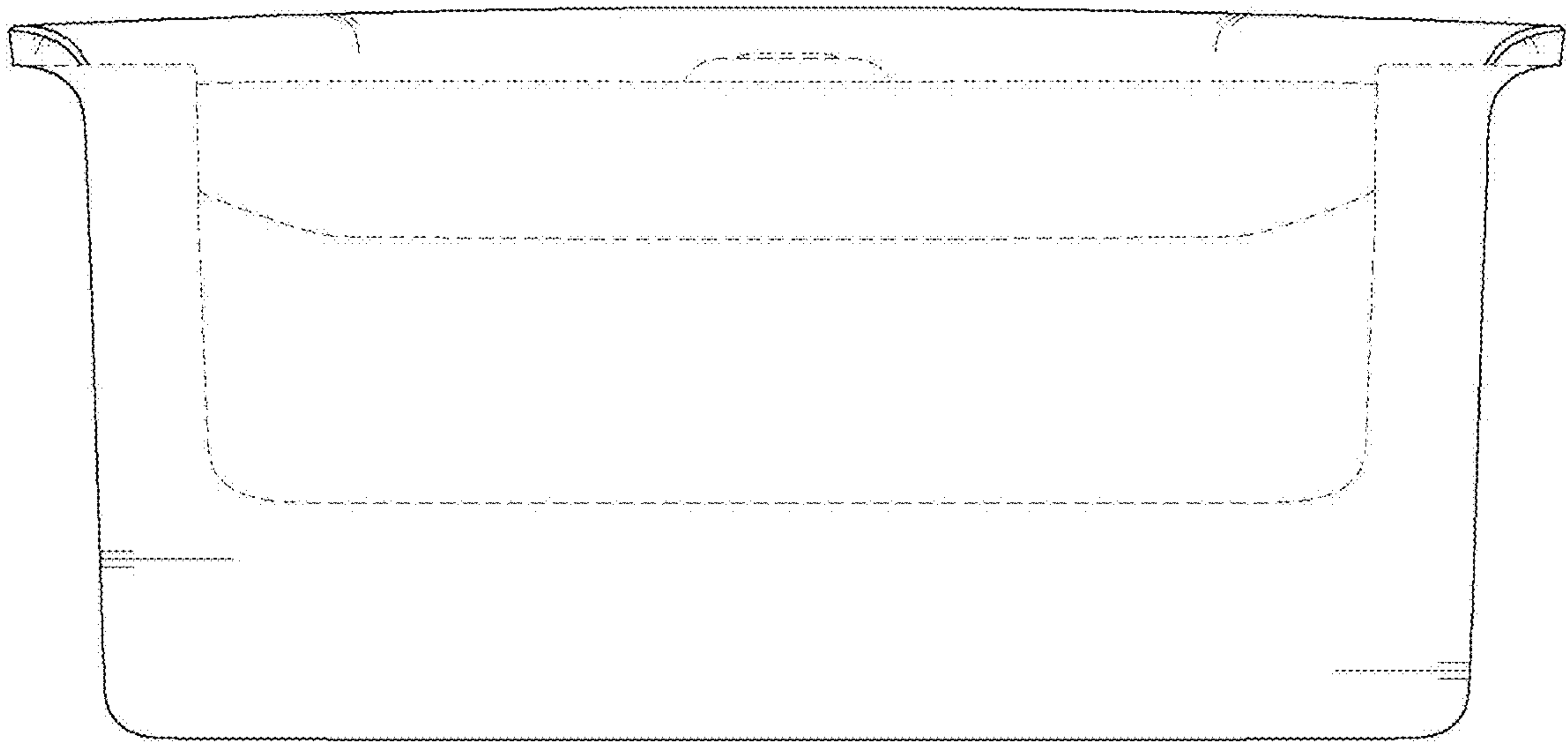
1.1



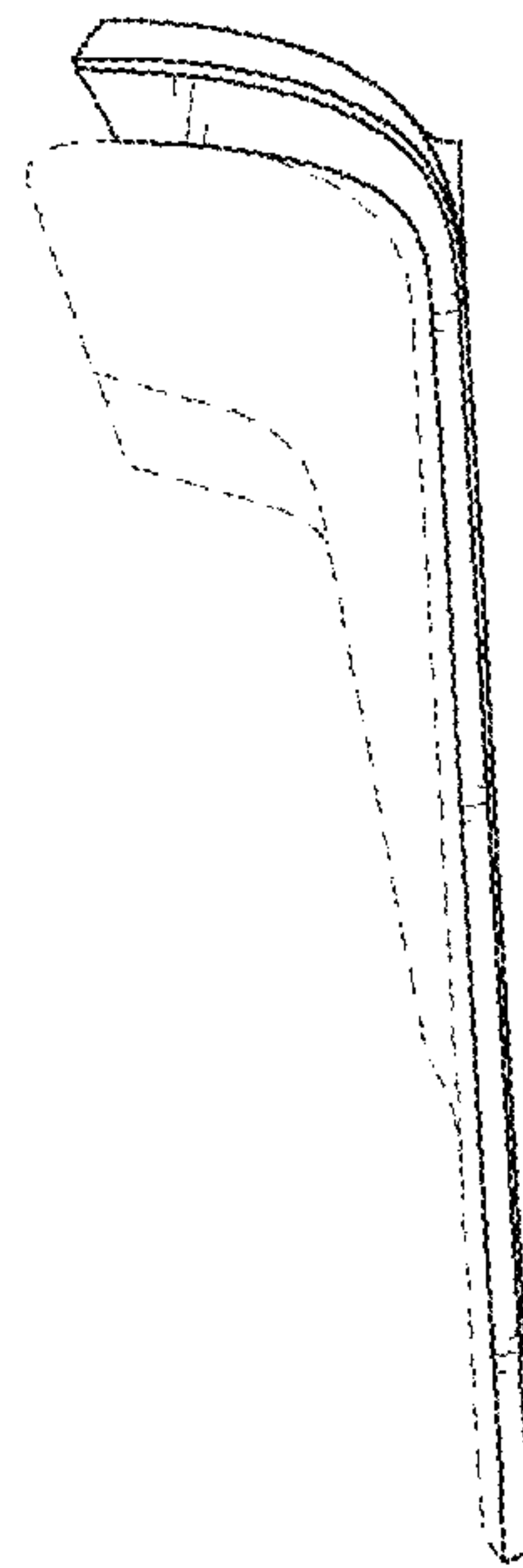
1.2



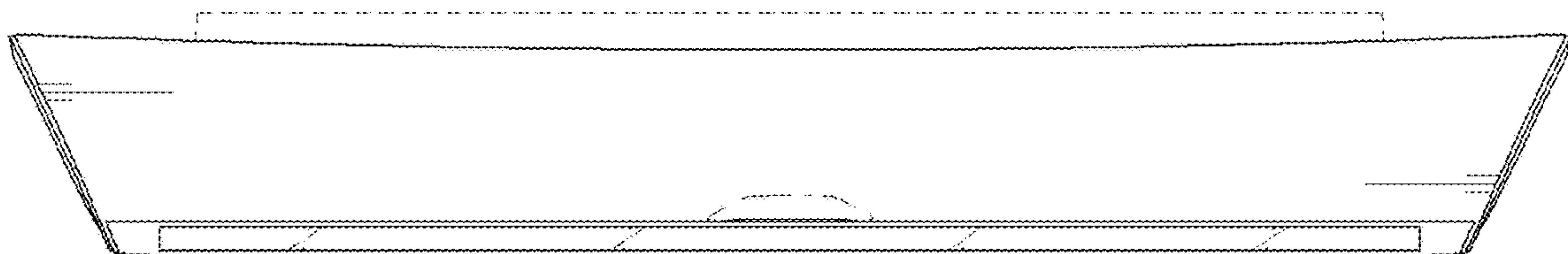
1.3



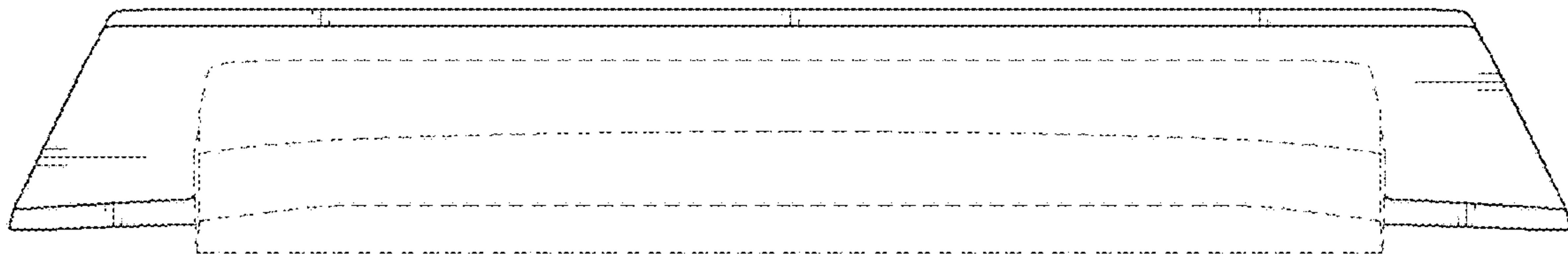
1.4



1.5

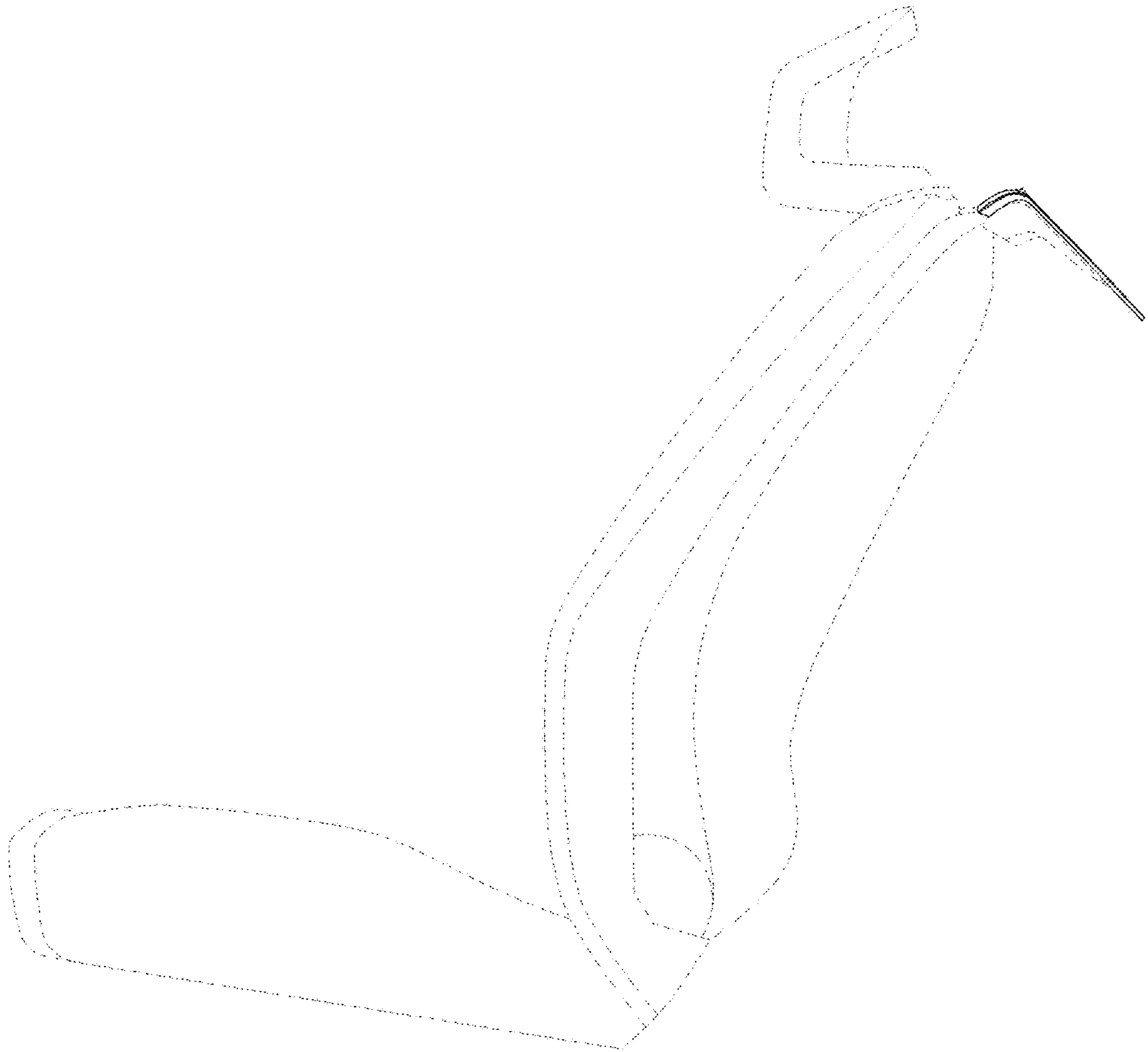


1.6





1.7



1.8

