



US00D913165S

(12) **United States Design Patent**
Kermani

(10) **Patent No.:** **US D913,165 S**

(45) **Date of Patent:** **** Mar. 16, 2021**

(54) **DRIFTING KART**

(71) Applicant: **Ali Kermani**, Huntington Beach, CA
(US)

(72) Inventor: **Ali Kermani**, Huntington Beach, CA
(US)

(73) Assignee: **RAZOR USA LLC**, Cerritos, CA (US)

(**) Term: **15 Years**

(21) Appl. No.: **29/698,468**

(22) Filed: **Jul. 17, 2019**

Related U.S. Application Data

(63) Continuation of application No. 29/125,530, filed on Aug. 1, 2017, now Pat. No. Des. 854,458, which is a continuation of application No. 29/564,412, filed on May 12, 2016, now Pat. No. Des. 793,912, which is a continuation of application No. 29/474,831, filed on May 9, 2014, now abandoned.

(51) **LOC (13) Cl.** **12-11**

(52) **U.S. Cl.**
USPC **D12/112**; D21/426

(58) **Field of Classification Search**
USPC D12/1, 87, 107, 110–114, 129, 130, 133;
D21/412, 414, 419, 423–428, 431–435
CPC B60K 7/0007; B62D 23/00; B62D 29/004;
B62D 61/08; B62D 63/02; B62D 9/00;
B60L 11/1805; B60L 11/1818; B60L
11/1879; B60L 11/1877
See application file for complete search history.

(56) **References Cited**

U.S. PATENT DOCUMENTS

1,231,531 A 6/1917 Shilling
1,932,031 A 10/1933 Saverio
3,062,559 A 6/1959 Hewitt

D189,614 S 1/1961 Beale
D190,024 S 4/1961 Rouse
3,053,550 A 9/1962 Joachim et al.
3,099,326 A 7/1963 Weigel et al.
3,125,177 A 3/1964 Paller

(Continued)

FOREIGN PATENT DOCUMENTS

CN 2198169 Y 5/1995
CN 1569548 A 1/2005

(Continued)

OTHER PUBLICATIONS

Razor USA: “Crazy Kart”, Jul. 21, 2016 (Jul. 21 2016), Retrieved from the Internet: URL: https://www.razor.com/wp-content/uploads/2018/02/CrazyCartshift_MAN_US_160721-1.pdf [retrieved on Mar. 3, 2020].

(Continued)

Primary Examiner — Darlington Ly

(74) *Attorney, Agent, or Firm* — Knobbe Martens Olson & Bear, LLP

(57) **CLAIM**

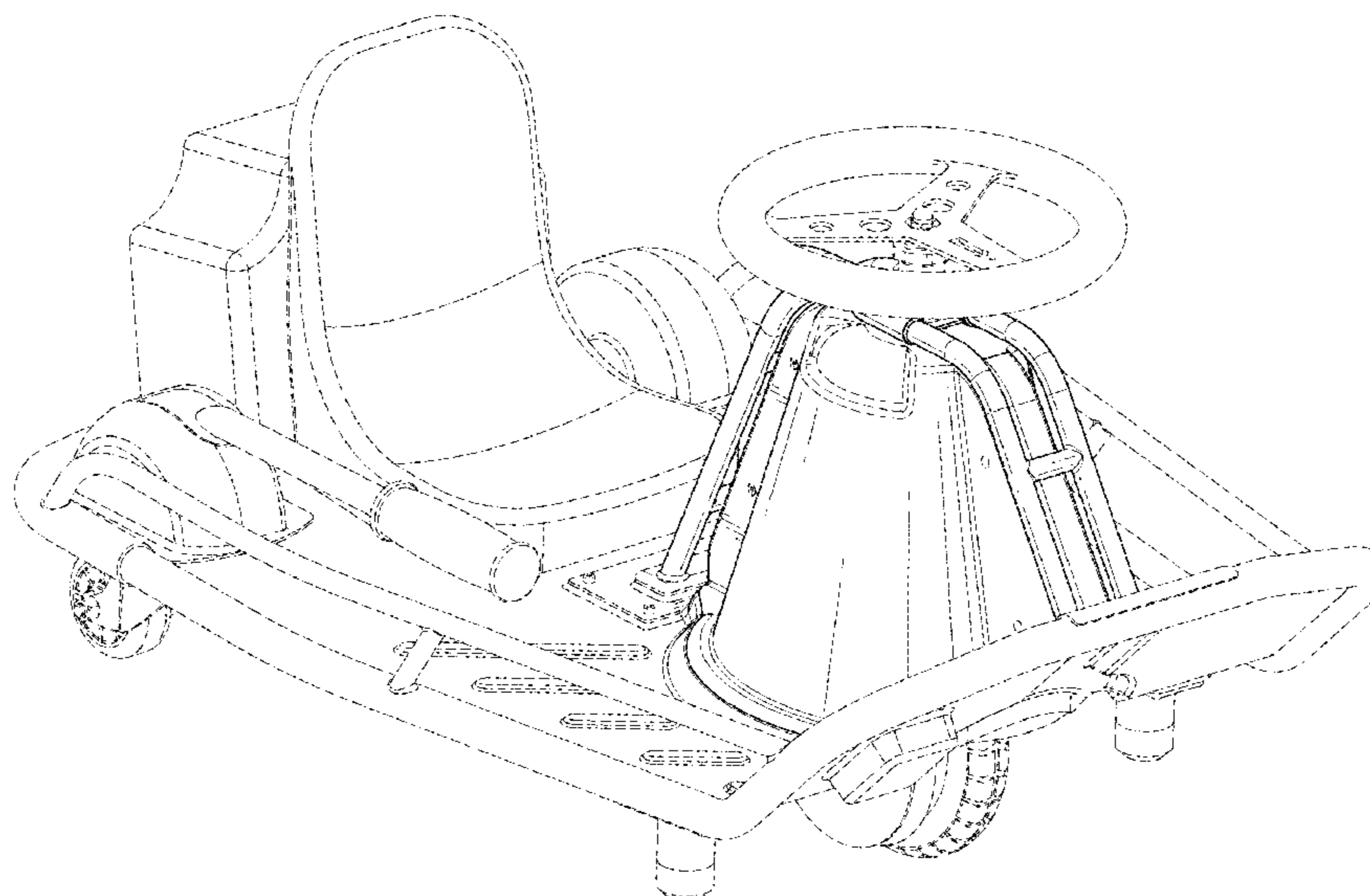
The ornamental design for a drifting kart, as shown and described.

DESCRIPTION

FIG. 1 is a top, front, and right side perspective view of a drifting kart showing my new design;
FIG. 2 is a top, rear, and left side perspective view thereof;
FIG. 3 is a top plan view thereof;
FIG. 4 is a right side elevation view thereof;
FIG. 5 is a left side elevation view thereof;
FIG. 6 is a front elevation view thereof; and,
FIG. 7 is a rear elevation view thereof.

The broken lines in the drawings illustrate portions of the drifting kart that form no part of the claimed design.

1 Claim, 6 Drawing Sheets



(56)

References Cited

U.S. PATENT DOCUMENTS

2004/0199311 A1* 10/2004 Aguilar G09B 9/042
701/36

2005/0103554 A1 5/2005 Meglioli

2005/0173180 A1 8/2005 Hypes et al.

2007/0045022 A1 3/2007 Greig et al.

2007/0151777 A1 7/2007 Peng

2008/0122209 A1 5/2008 Jayasuriya

2008/0196951 A1 8/2008 Gal et al.

2009/0007721 A1 1/2009 Cortina et al.

2009/0065272 A1 3/2009 Martin et al.

2010/0032223 A1* 2/2010 Kermani B60K 7/0007
180/216

2012/0133111 A1 5/2012 Schmutzer et al.

2015/0328994 A1* 11/2015 Chen B62D 61/08
180/65.31

2016/0214557 A1 7/2016 Villa

2017/0156953 A1 6/2017 Kermani

2018/0043950 A1* 2/2018 Kermani B62D 29/004

2020/0022856 A1 1/2020 Kermani

2020/0062100 A1 2/2020 Chen et al.

FOREIGN PATENT DOCUMENTS

CN 2936826 8/2007

CN 200977859 11/2007

CN 201009762 Y 1/2008

CN 203186508 U 9/2013

CN 203427959 2/2014

CN 204527453 U 8/2015

CN 105083006 A 11/2015

CN 206012763 U 3/2017

EP 0529188 A1 3/1993

FR 859864 A 12/1940

WO WO 2018/032730 2/2018

WO WO 2018/035060 A1 2/2018

OTHER PUBLICATIONS

Recreation Ltd. "Razor Crazy Cart Shift Ride Video", Youtube, Aug. 15, 2016 (Aug. 15, 2016), Retrieved from the Internet: URL: <https://youtube.com/watch?v=KjrfsfSiMZ4> [retrieved on Apr. 10, 2020].

Aamoth, Doug, "Razor Builds the Ultimate Drifting Go-Kart: Why Must I Always Be Over the Weight Limit for Everything Good in This World?," Jul. 11, 2013, retrieved on Aug. 6, 2016, <http://techland.time.com/2013/07/11/razor-builds-the-ultimate-drifting-go-kart-why-must-i-always-be-over-the-weight-limit-for-everything-good-in-this-world/>, in 2 pages.

OTL Electrokart, "Storm Series—Competition" Datasheet, Jun. 14, 2014, retrieved on Aug. 6, 2016, <https://www.kart1.com/pdf/competition.pdf>, in 3 pages.

* cited by examiner

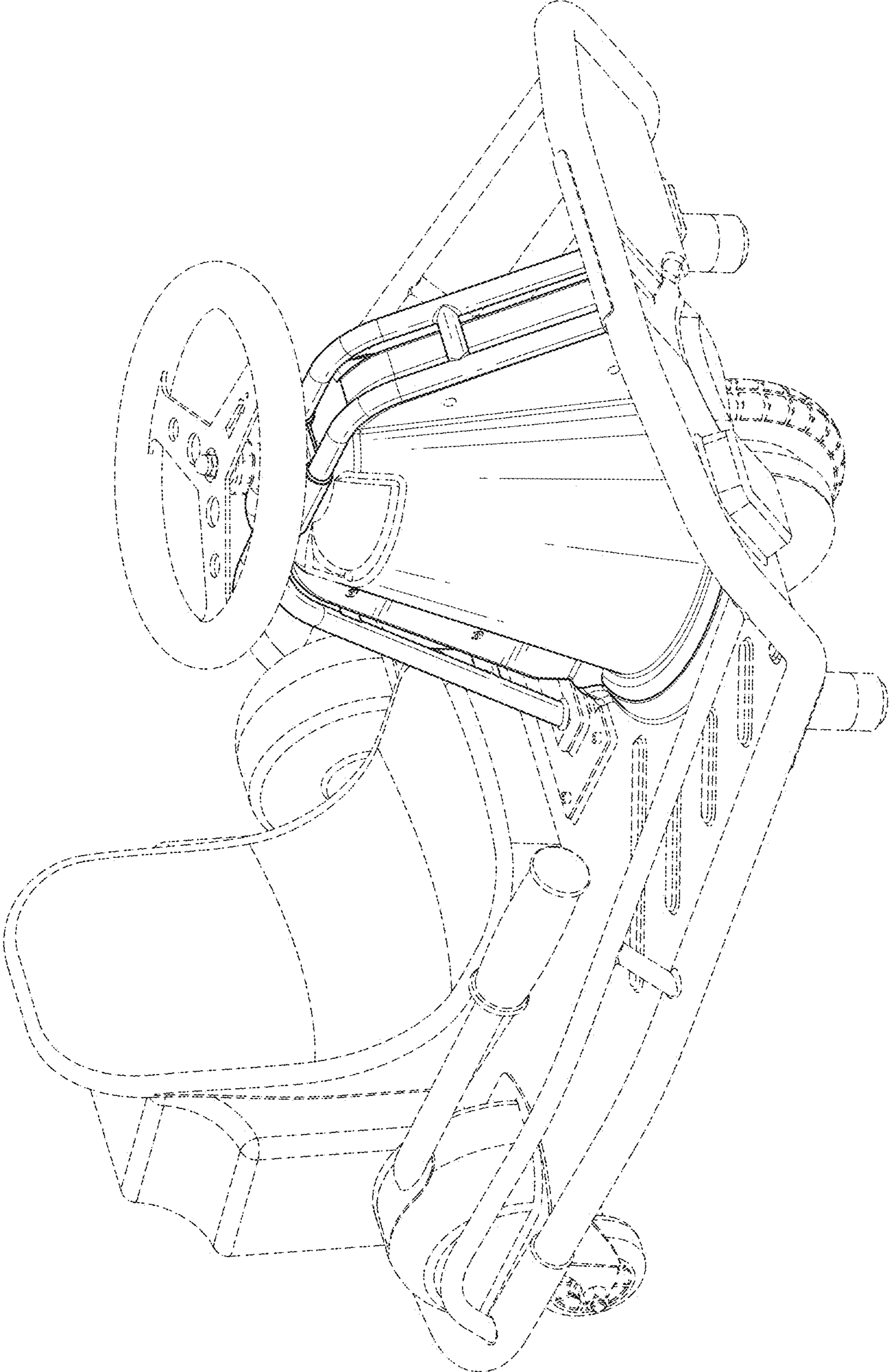


FIG. 1

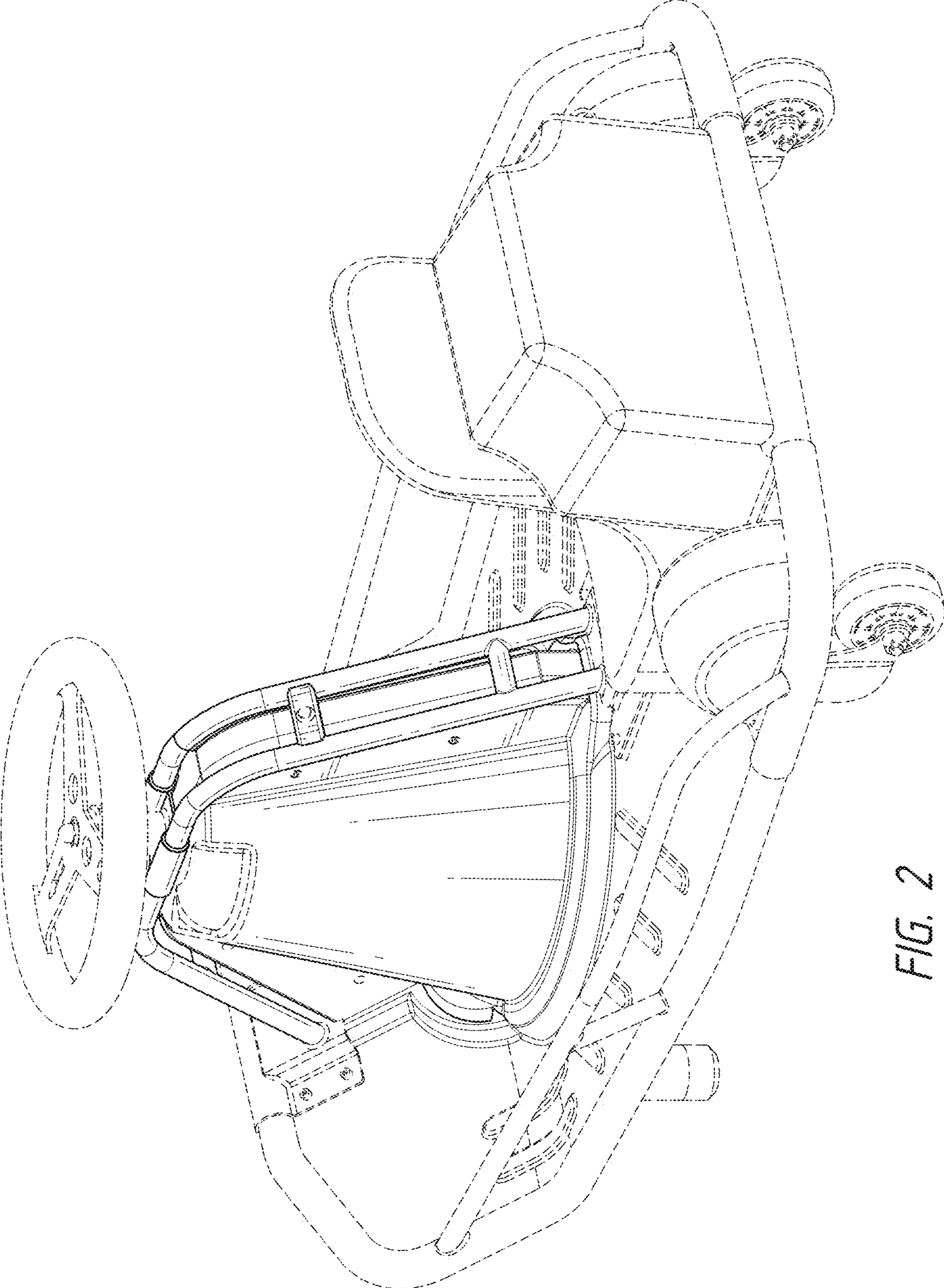


FIG. 2

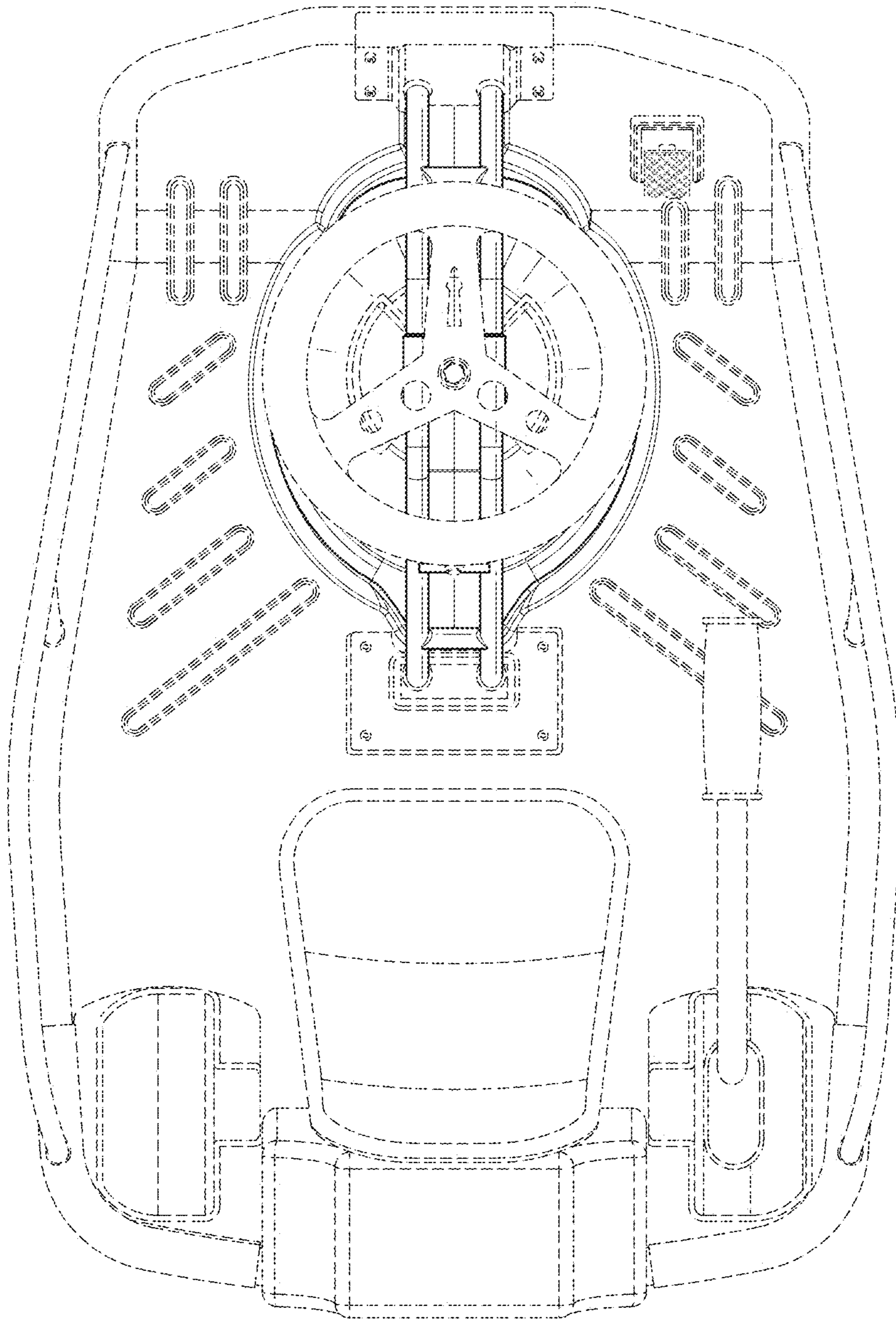


FIG. 3

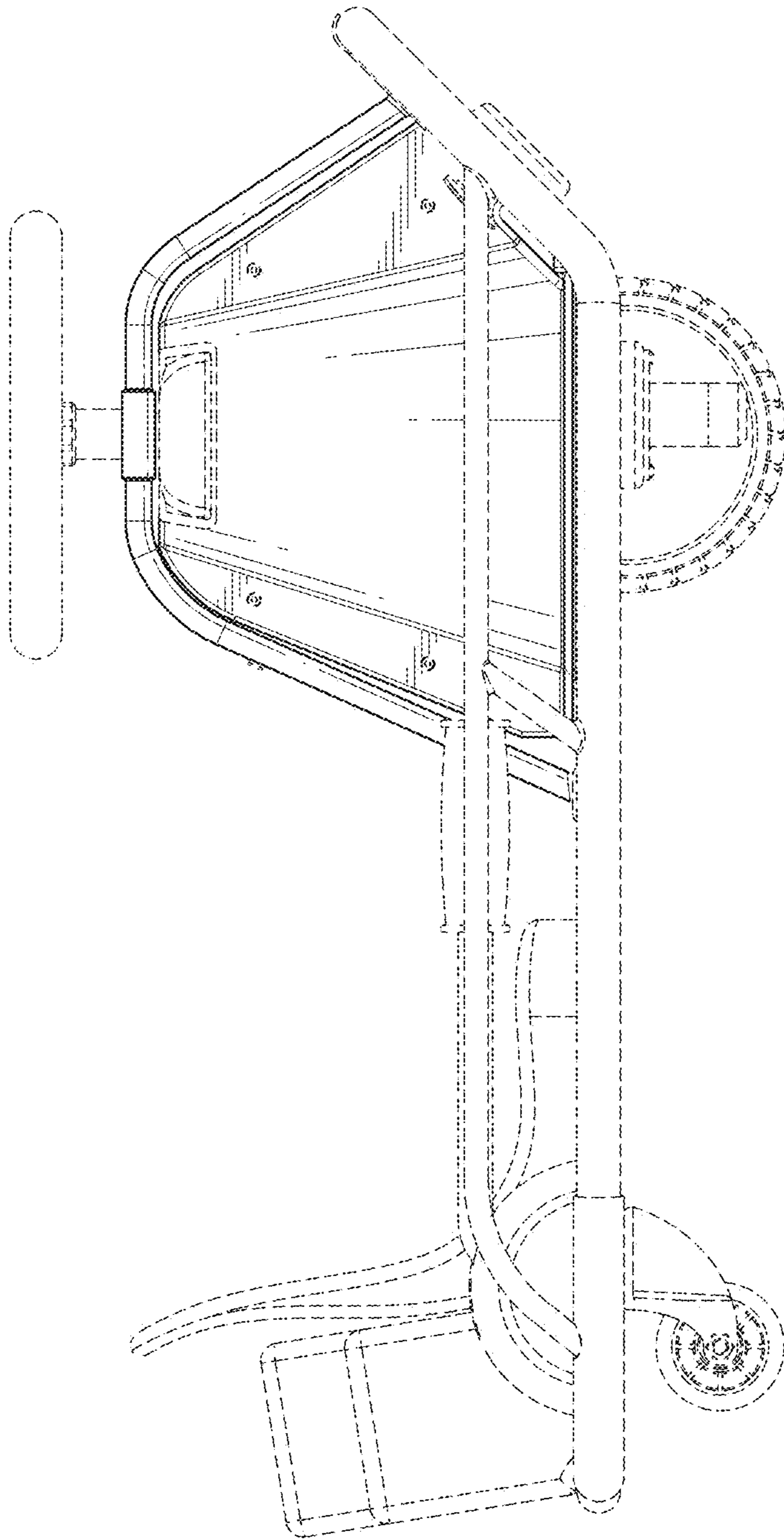


FIG. 4

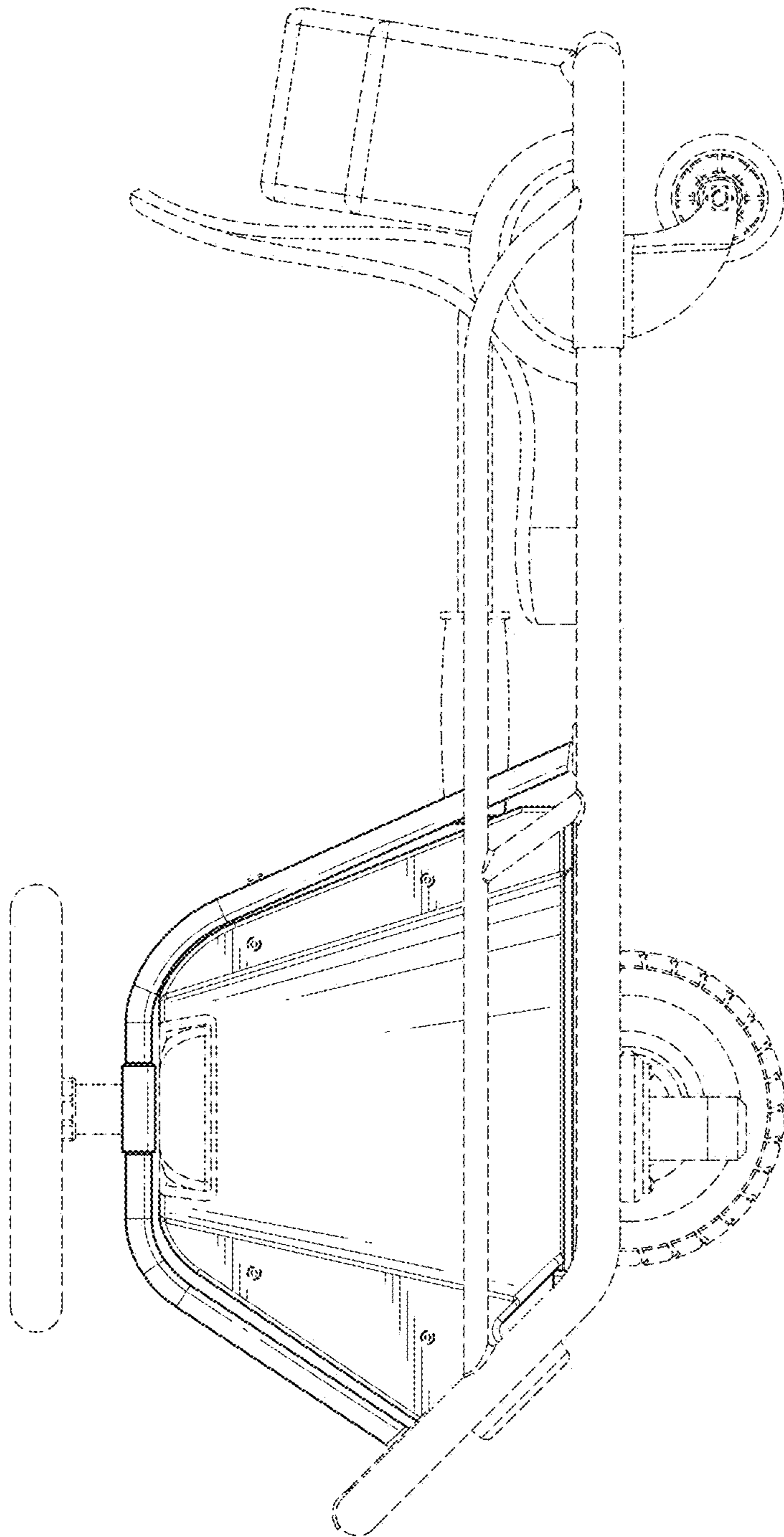


FIG. 5

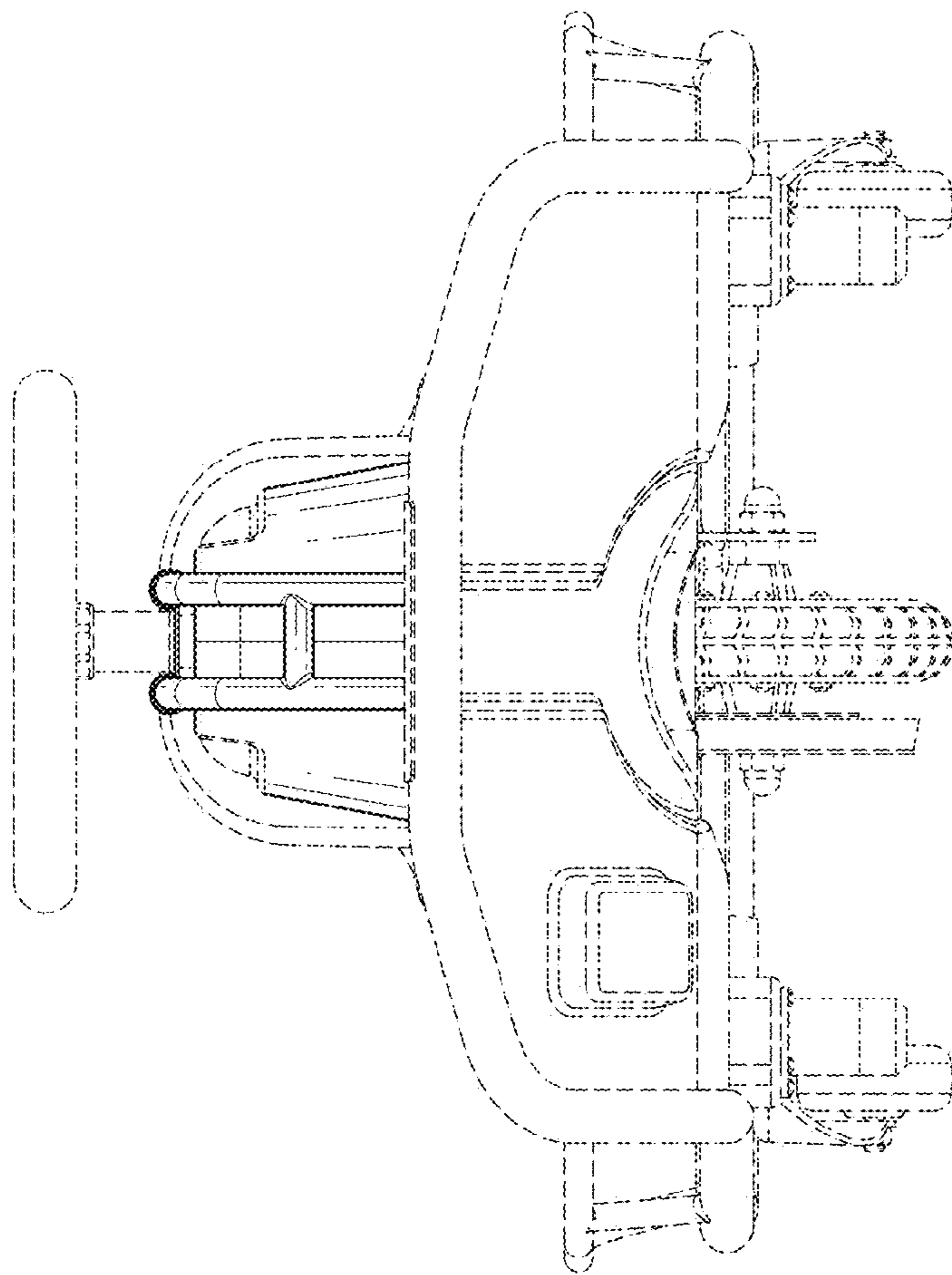


FIG. 6

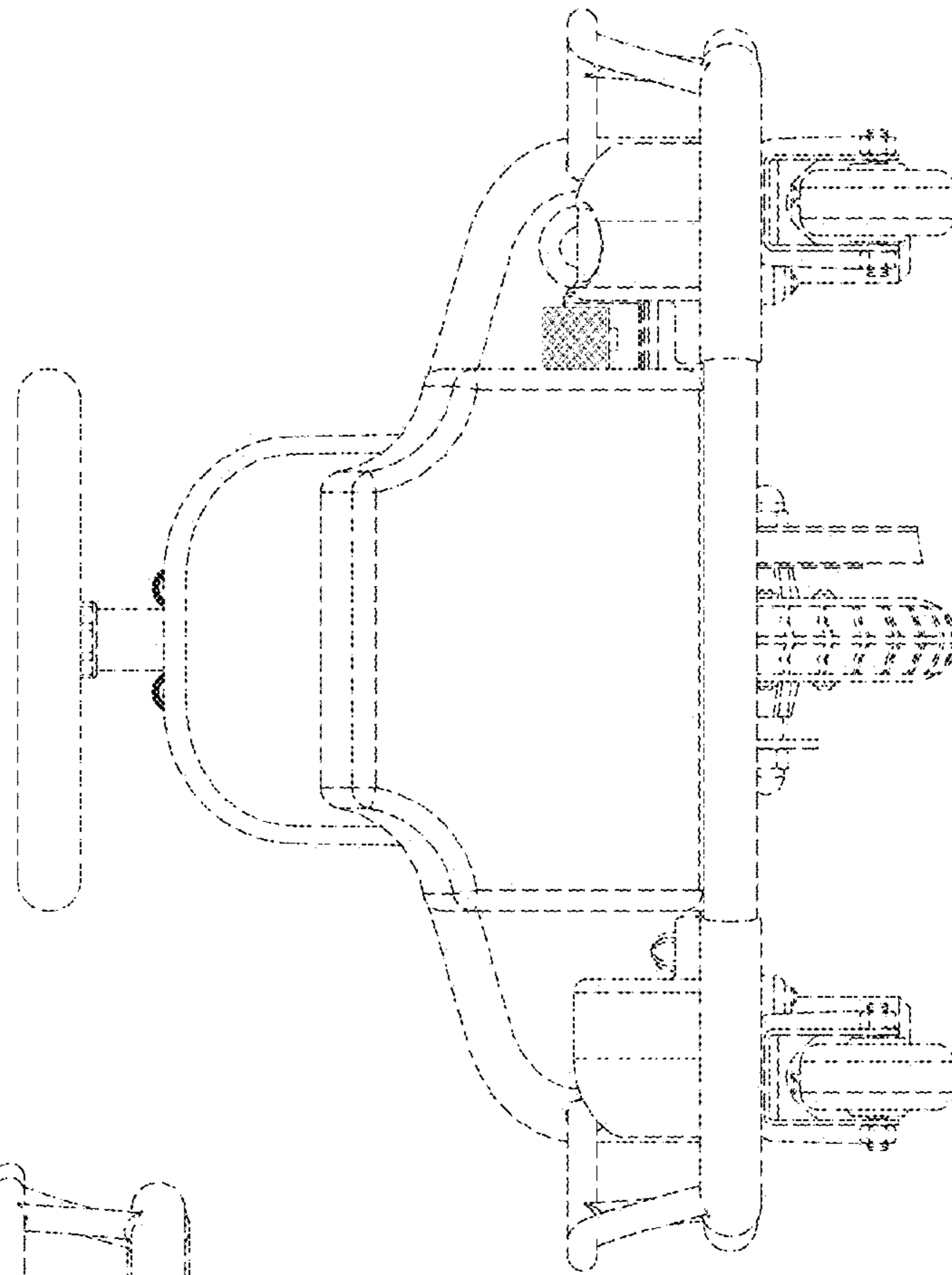


FIG. 7