



US00D913163S

(12) **United States Design Patent** (10) **Patent No.:** **US D913,163 S**
Kaoud et al. (45) **Date of Patent:** **** Mar. 16, 2021**

(54) **MOTOR VEHICLE, TOY REPLICA, AND/OR OTHER REPLICA**

(71) Applicant: **Ford Global Technologies, LLC**, Dearborn, MI (US)
(72) Inventors: **Ehab N. Kaoud**, Livonia, MI (US); **William K. Moore**, West Bloomfield, MI (US); **Joshua Henry**, Detroit, MI (US); **Andrew Bazinski**, Ferndale, MI (US); **David Root**, Wyandotte, MI (US); **Jiacheng Liu**, Dearborn, MI (US); **Adam Riccobelli**, Ferndale, MI (US); **Rick L. Howard**, Brighton, MI (US); **Samuel R. Haire**, Royal Oak, MI (US); **Junghan Kim**, Troy, MI (US); **Marc Cammeyer**, Berkley, MI (US)
(73) Assignee: **Ford Global Technologies, LLC**, Dearborn, MI (US)
(**) Term: **15 Years**
(21) Appl. No.: **29/706,124**
(22) Filed: **Sep. 18, 2019**
(51) **LOC (13) Cl.** **12-08**
(52) **U.S. Cl.**
USPC **D12/98**
(58) **Field of Classification Search**
USPC D12/86, 90-92, 164, 98; D21/424, 433, D21/434, 533; 296/181.1, 181.5, 181.3, 296/183.1, 37.6
CPC B60R 9/06; B62D 35/00
See application file for complete search history.

D703,586 S 4/2014 Platto
D718,193 S 11/2014 Platto
D763,738 S * 8/2016 Dewitt D12/98
D764,980 S 8/2016 Platto
D764,982 S 8/2016 Platto
D764,983 S 8/2016 Platto
D775,551 S * 1/2017 Platto D12/98
D809,428 S * 2/2018 Platto D12/98
D809,429 S * 2/2018 Platto D12/98
D811,274 S * 2/2018 Platto D12/98
D828,227 S * 9/2018 Ninov D12/98

OTHER PUBLICATIONS

Andrew Wendler, The 2021 Ford F-150, Spied Testing, Looks Pretty Evolutionary, May 8, 2019 <https://www.caranddriver.com/news/a27409108/2021-ford-f-150-pickup-spied/>.

* cited by examiner

Primary Examiner — Melody N Brown

(74) *Attorney, Agent, or Firm* — Michael Spenner

(57) **CLAIM**

The ornamental design for a motor vehicle, toy replica, and/or other replica, as shown and described.

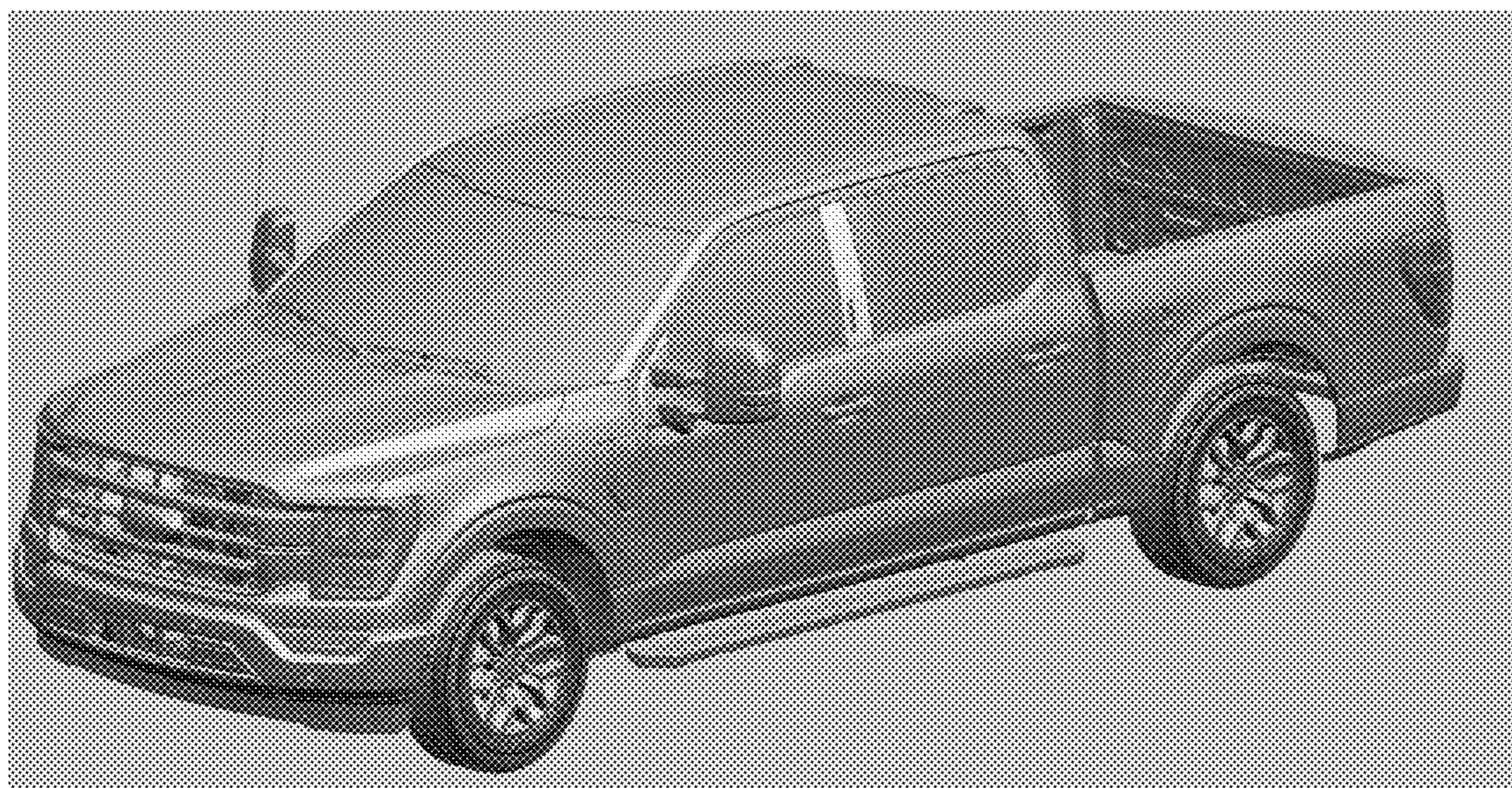
DESCRIPTION

FIG. 1 is a front elevational view of a motor vehicle, toy replica, and/or other replica showing our new design; FIG. 2 is a rear elevational view thereof; FIG. 3 is a left side elevational view thereof; FIG. 4 is a right side elevational view thereof; FIG. 5 is a top plan view thereof; FIG. 6 is a top, front and left side perspective view thereof; and, FIG. 7 is a top, rear and left side perspective view thereof.

1 Claim, 7 Drawing Sheets

(56) **References Cited**
U.S. PATENT DOCUMENTS

D500,968 S 1/2005 Metros
D515,462 S 2/2006 Metros



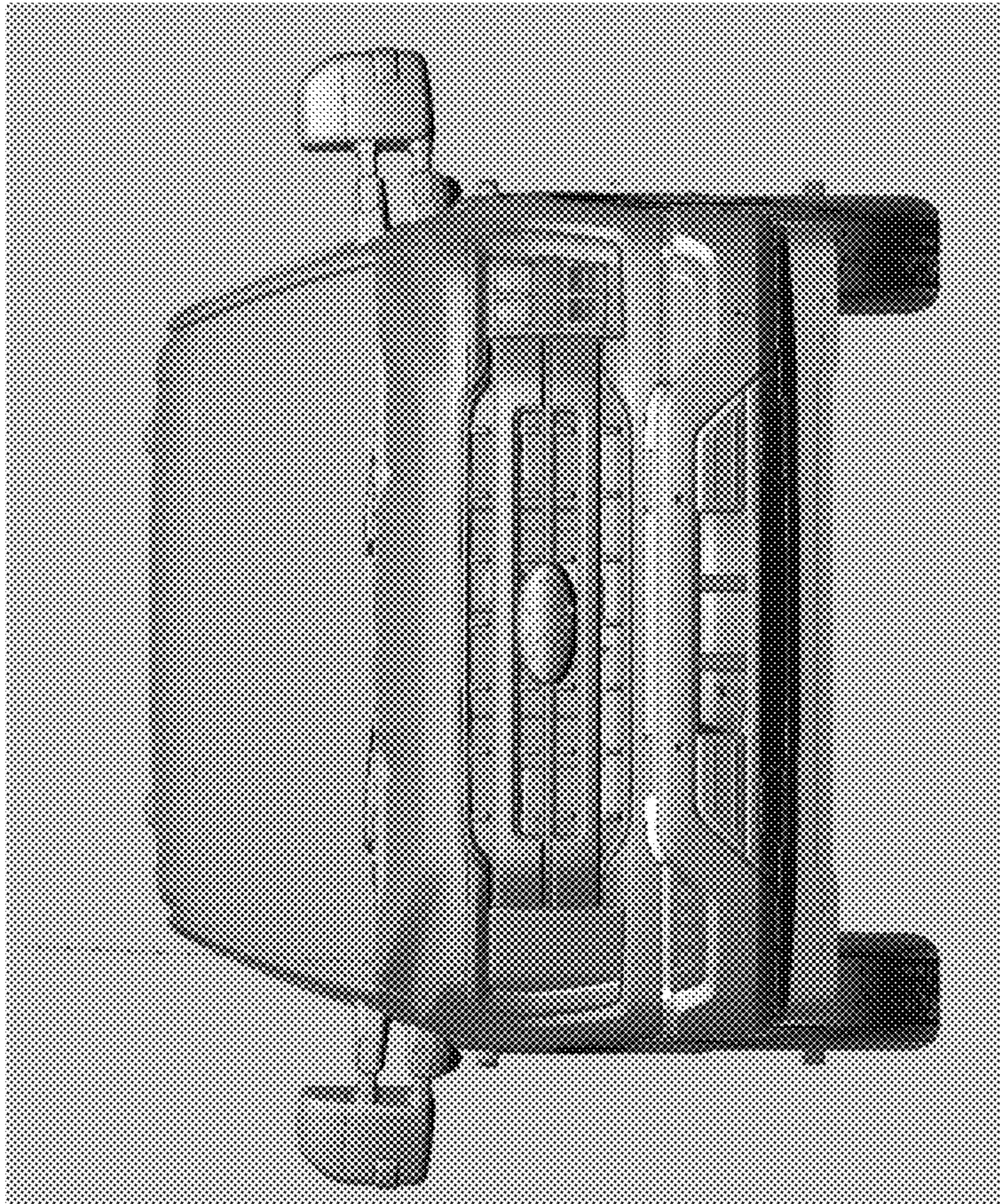


Fig. 1



Fig. 2

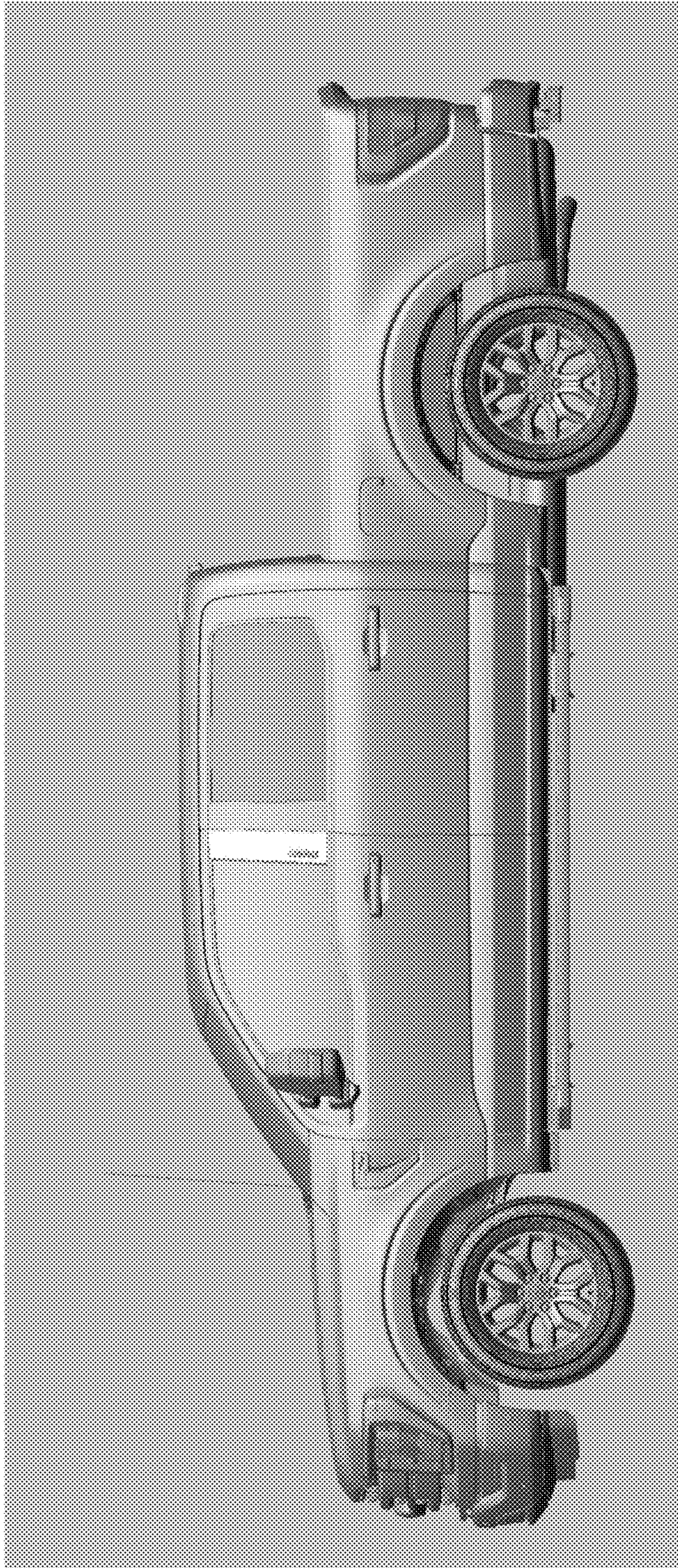


Fig. 3



Fig.4

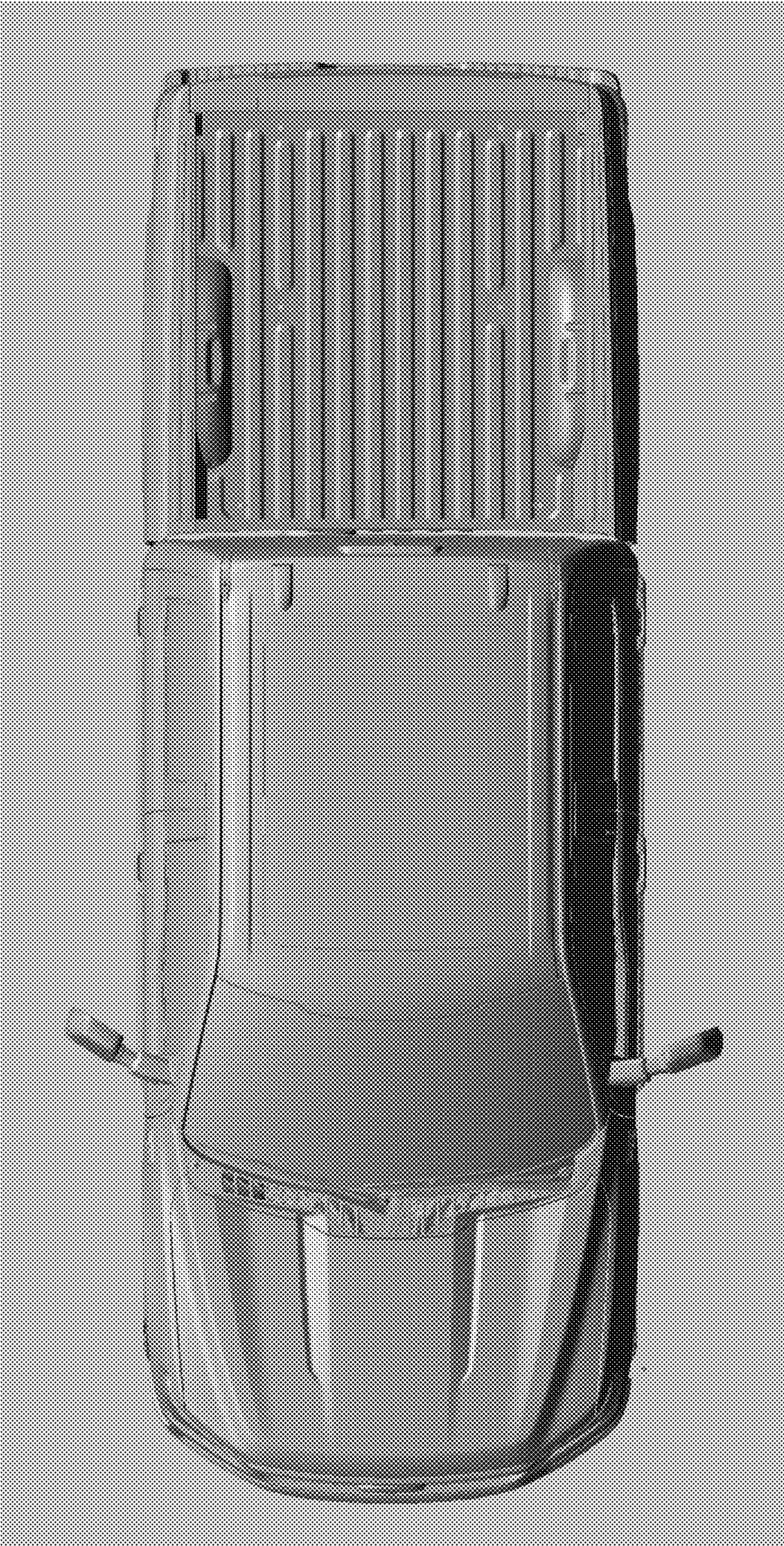


Fig. 5

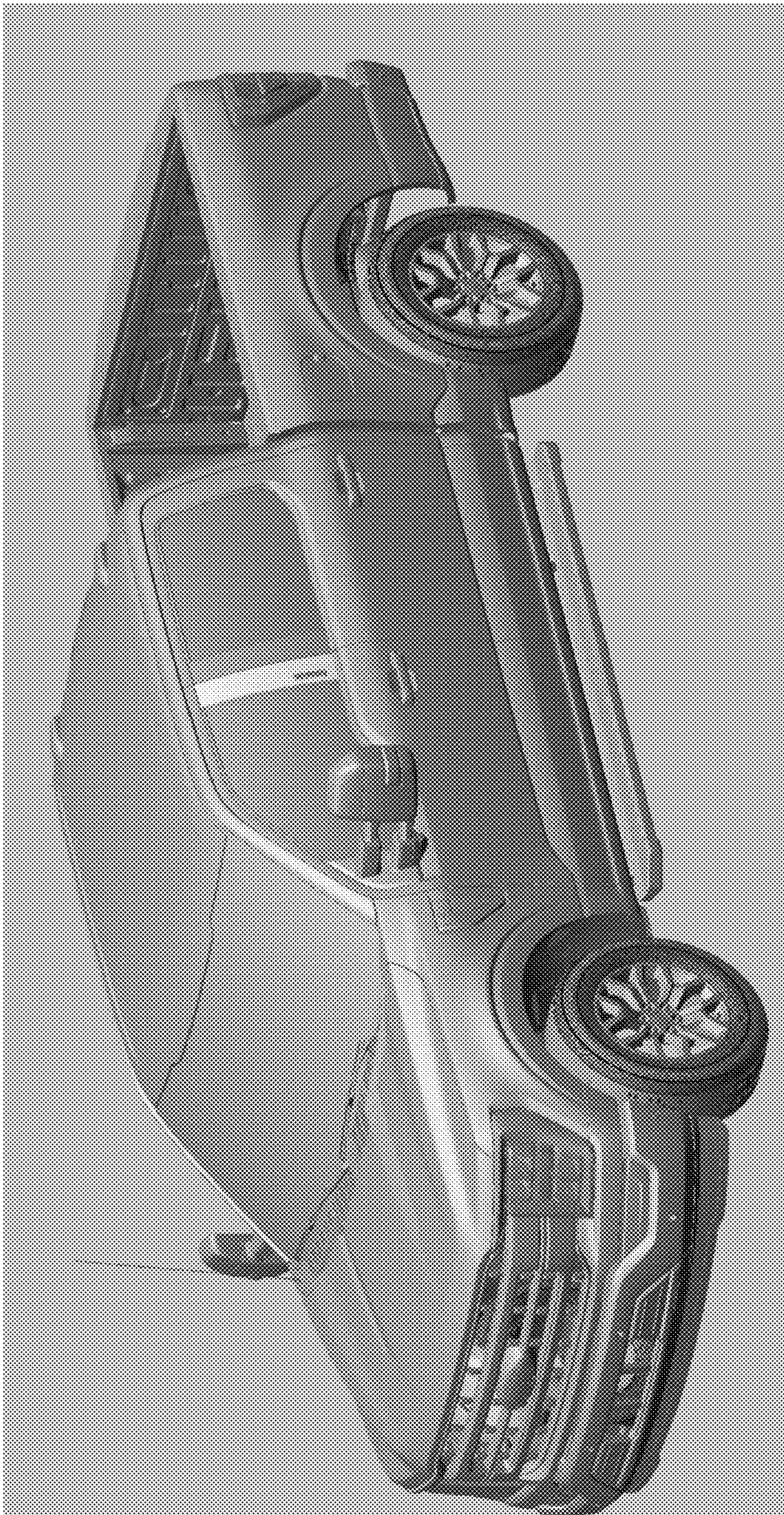


Fig.6

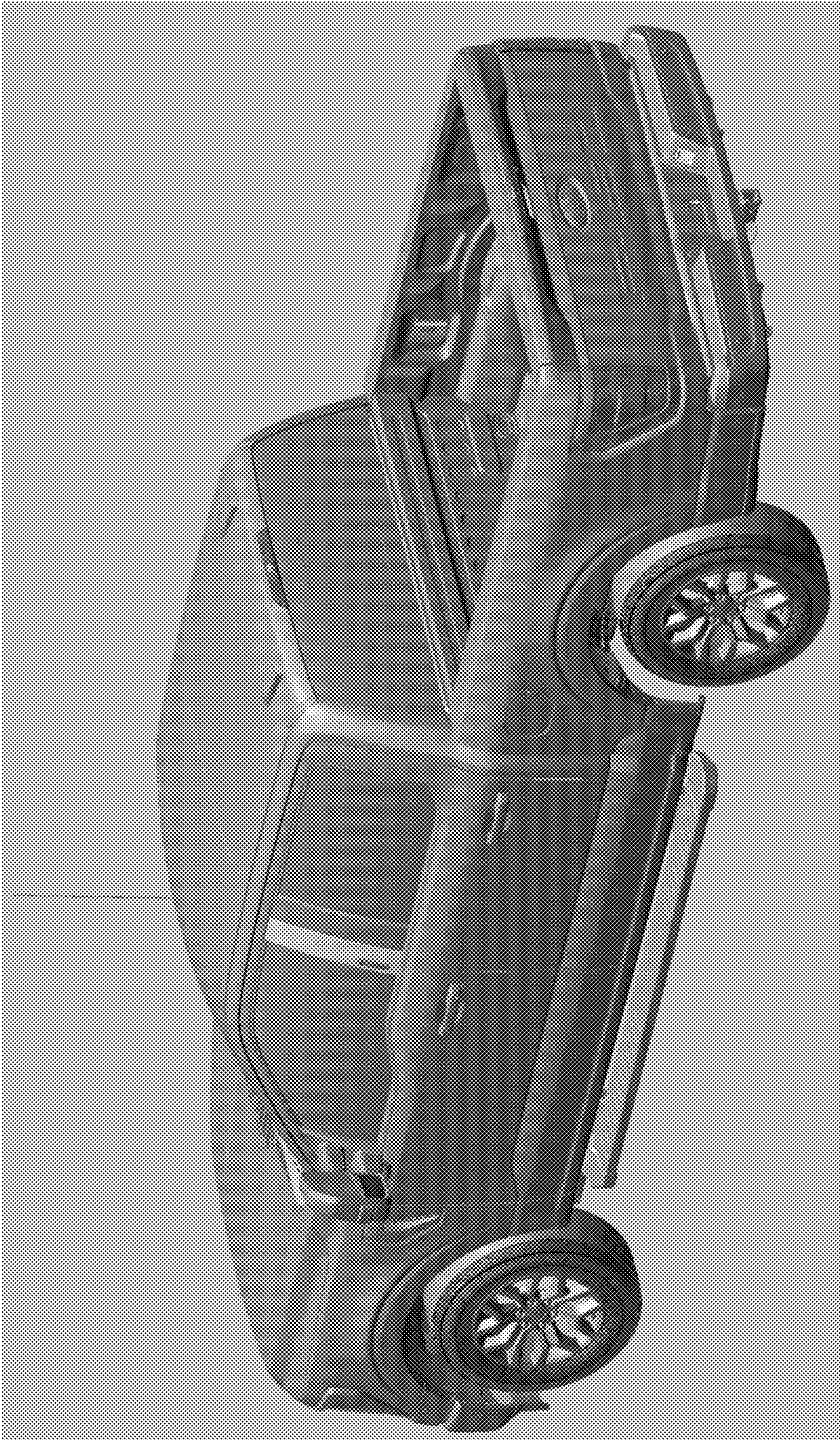


Fig. 7