



US00D913161S

(12) **United States Design Patent**
Pishevar et al.

(10) **Patent No.:** **US D913,161 S**
(45) **Date of Patent:** **** Mar. 16, 2021**

- (54) **AUTOMOBILE BODY**
- (71) Applicant: **DaVinci Electric Motors Corporation,**
Miami, FL (US)
- (72) Inventors: **Shervin Pishevar,** Miami, FL (US);
Eduard Gray, Vargön (SE)
- (73) Assignee: **DaVinci Electric Motors Corporation,**
Miami, FL (US)
- (**) Term: **15 Years**
- (21) Appl. No.: **29/722,772**
- (22) Filed: **Jan. 31, 2020**
- (51) **LOC (13) Cl.** **12-08**
- (52) **U.S. Cl.**
USPC **D12/92**
- (58) **Field of Classification Search**
USPC D12/86, 90-92, 88; D21/424, 433, 434,
D21/533; 296/181.1-181.5, 183.1
CPC B62D 25/00; B62D 25/06; B62D 33/00;
B62D 35/00
See application file for complete search history.

- D774,949 S * 12/2016 Okuyama D12/92
- D826,092 S * 8/2018 Manzoni D12/92
- D829,607 S * 10/2018 Jin D12/88
- D830,904 S * 10/2018 Jin D12/88
- D835,000 S * 12/2018 Tomasson D12/91
- D837,097 S * 1/2019 Hawkins D12/88
- D856,194 S * 8/2019 Saleen D12/92

* cited by examiner

Primary Examiner — Melody N Brown

(74) *Attorney, Agent, or Firm* — Perkins Coie LLP

(57) **CLAIM**

The ornamental design for an automobile body, as shown and described.

DESCRIPTION

FIG. 1 is a top, front and right side perspective view of an automobile body showing our new design; FIG. 2 is a top, rear and left side perspective view thereof; FIG. 3 is a right side elevation view thereof; FIG. 4 is a left side elevation view thereof; FIG. 5 is a front elevation view thereof; FIG. 6 is a rear elevation view thereof; and, FIG. 7 is a top plan view thereof.

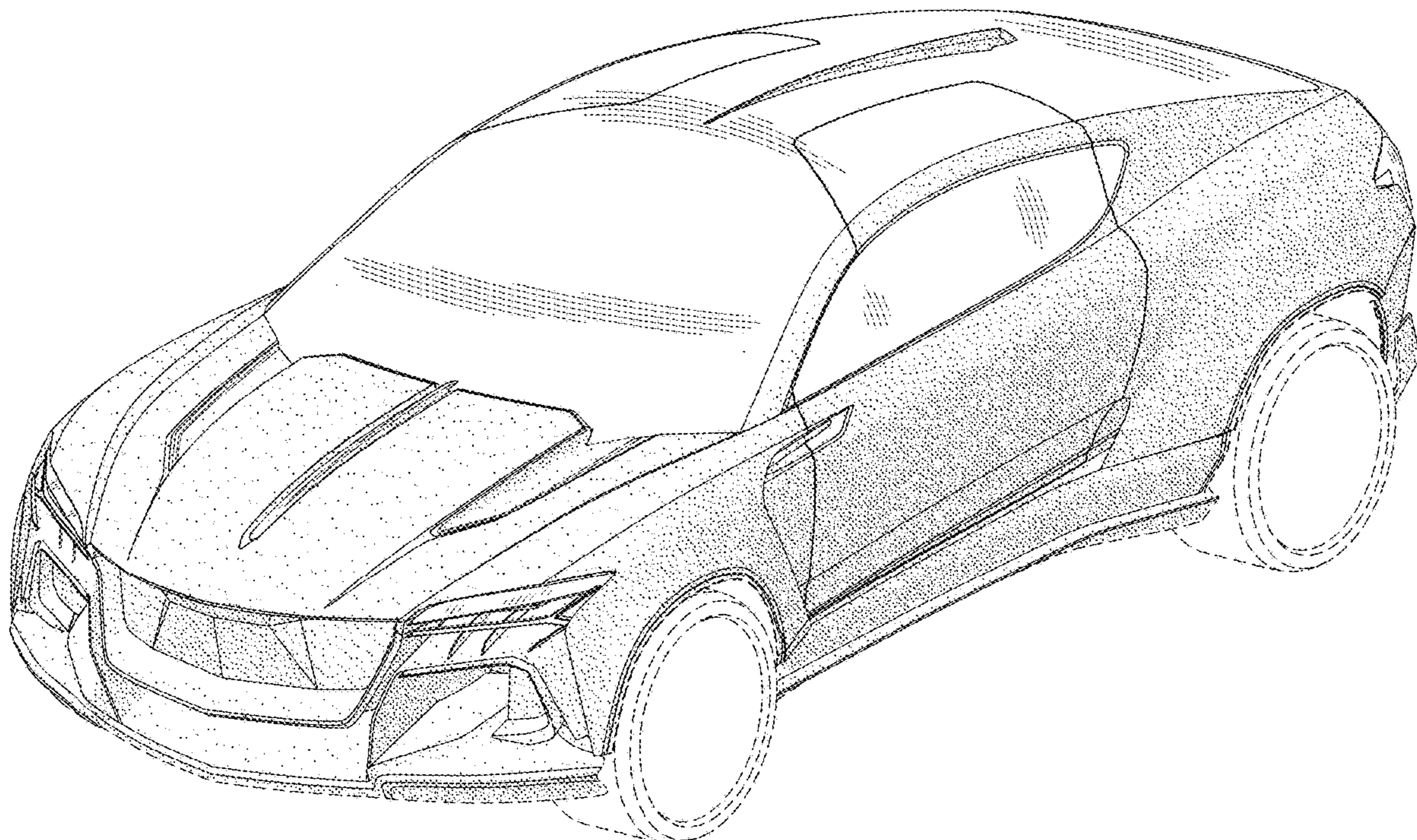
The wheels shown in broken lines throughout the drawings views are for environmental and illustrative purposes and form no part of the claimed design.

(56) **References Cited**

U.S. PATENT DOCUMENTS

- D631,796 S * 2/2011 Castriota D12/92
- D741,753 S * 10/2015 Perini D12/92

1 Claim, 5 Drawing Sheets



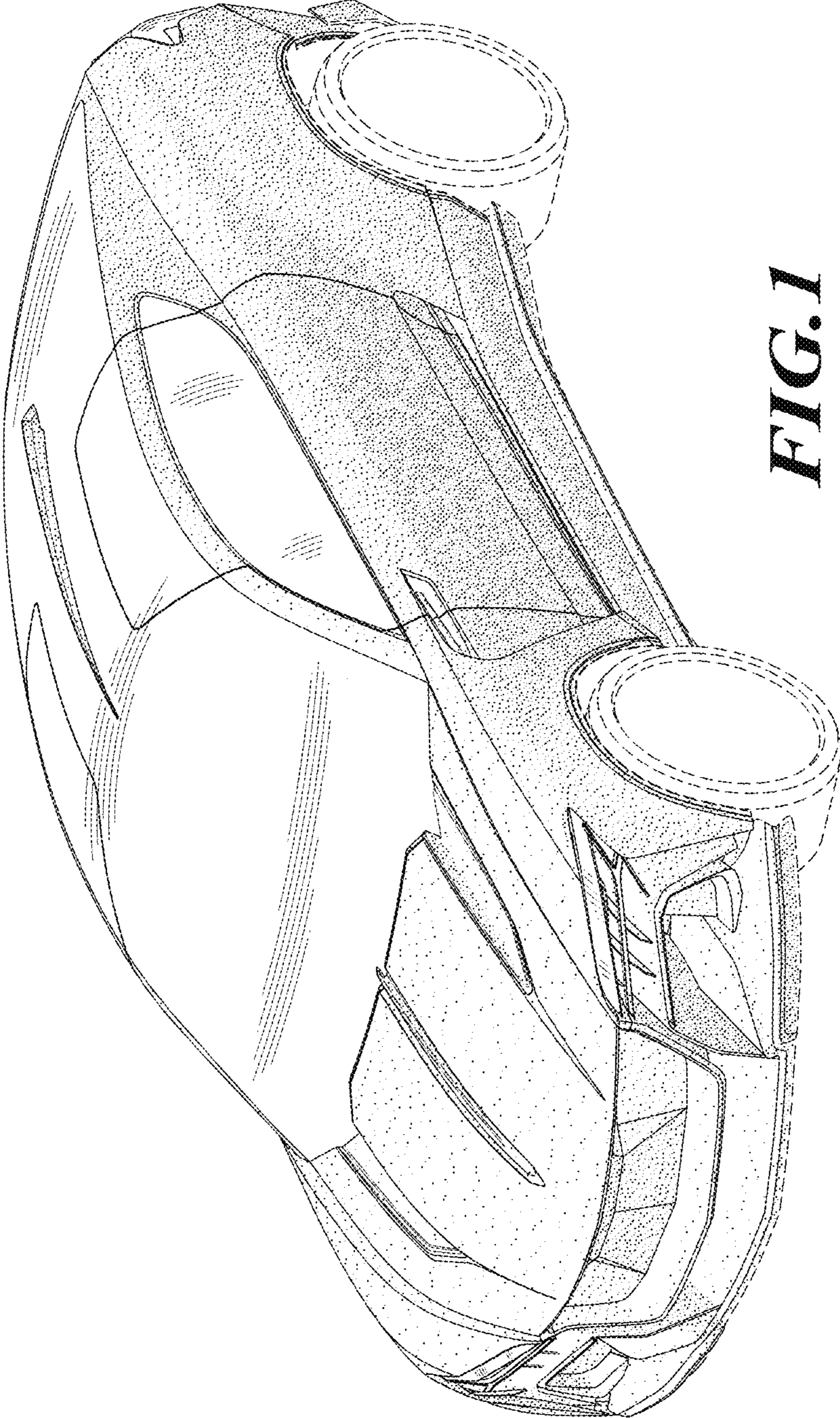


FIG. 1

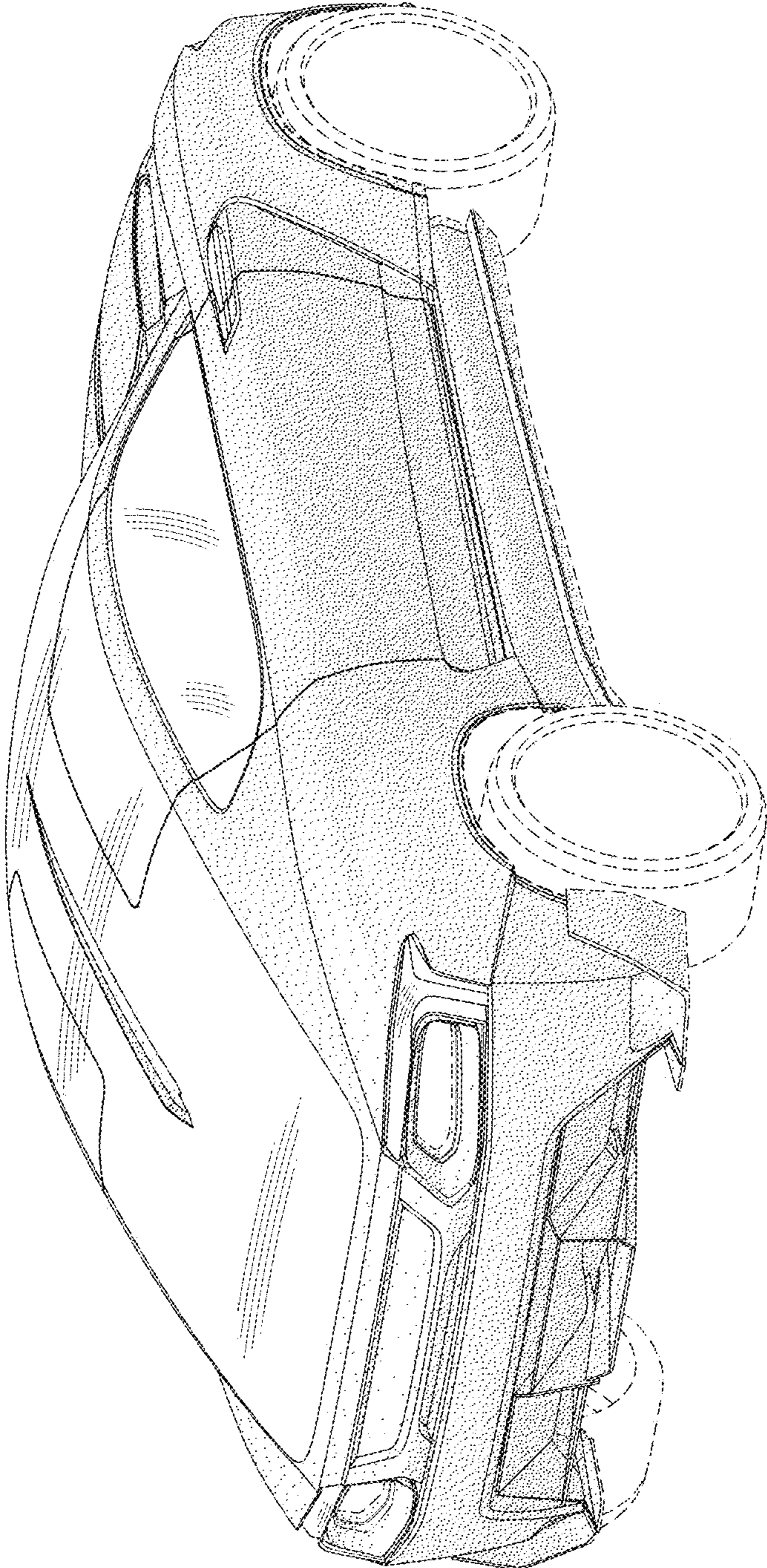


FIG. 2

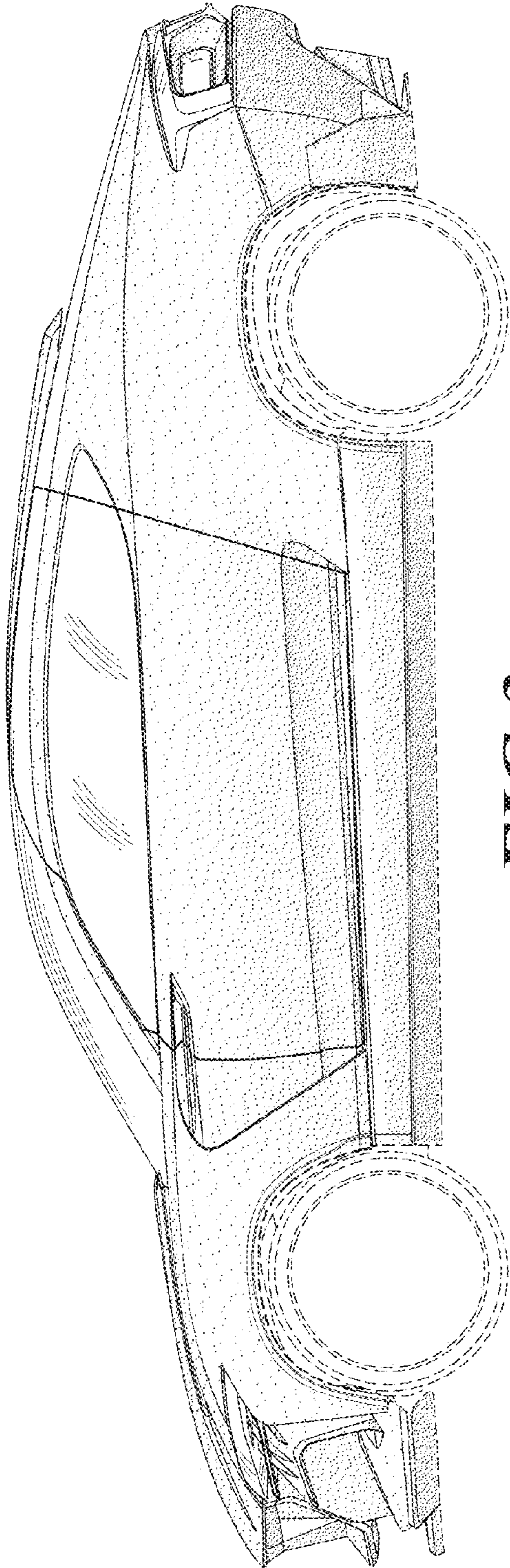


FIG. 3

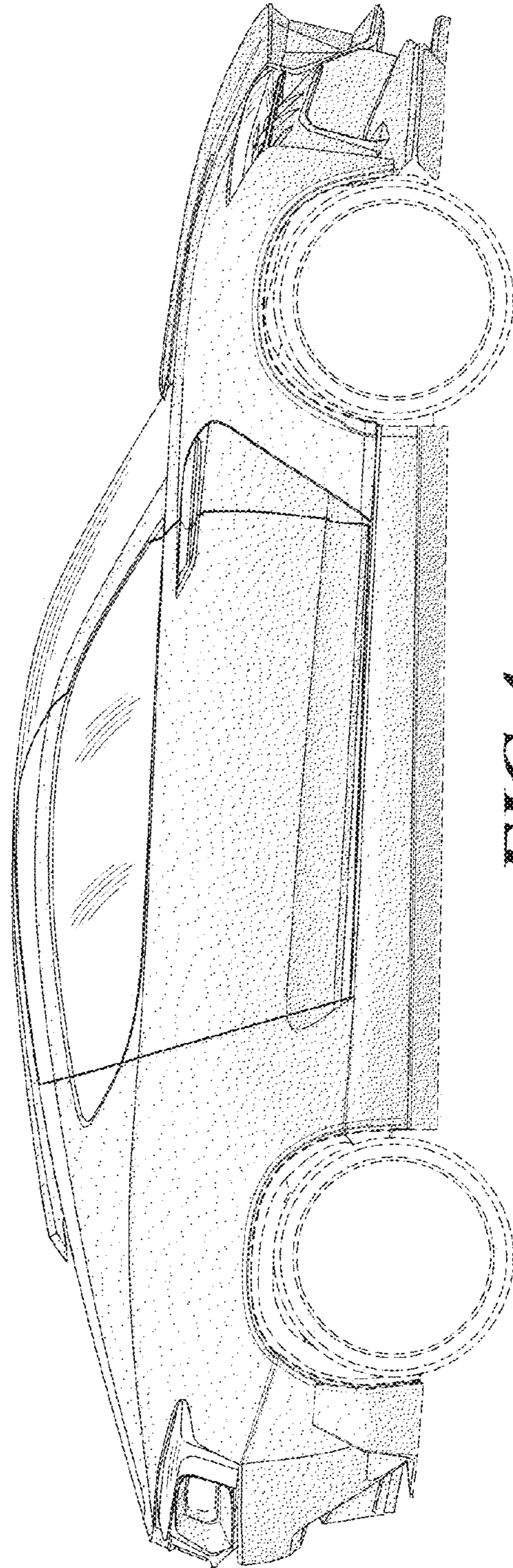


FIG. 4

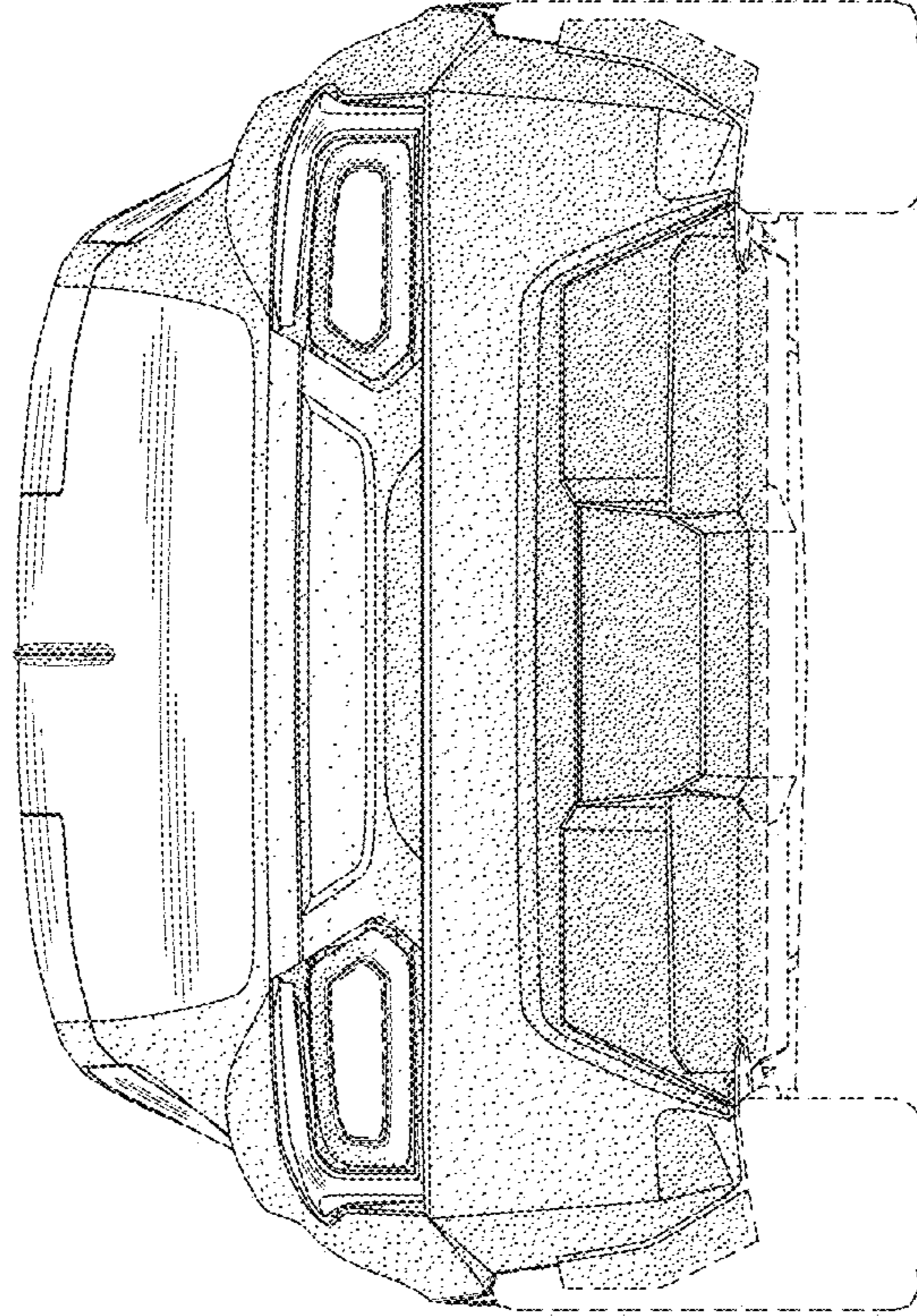


FIG. 6

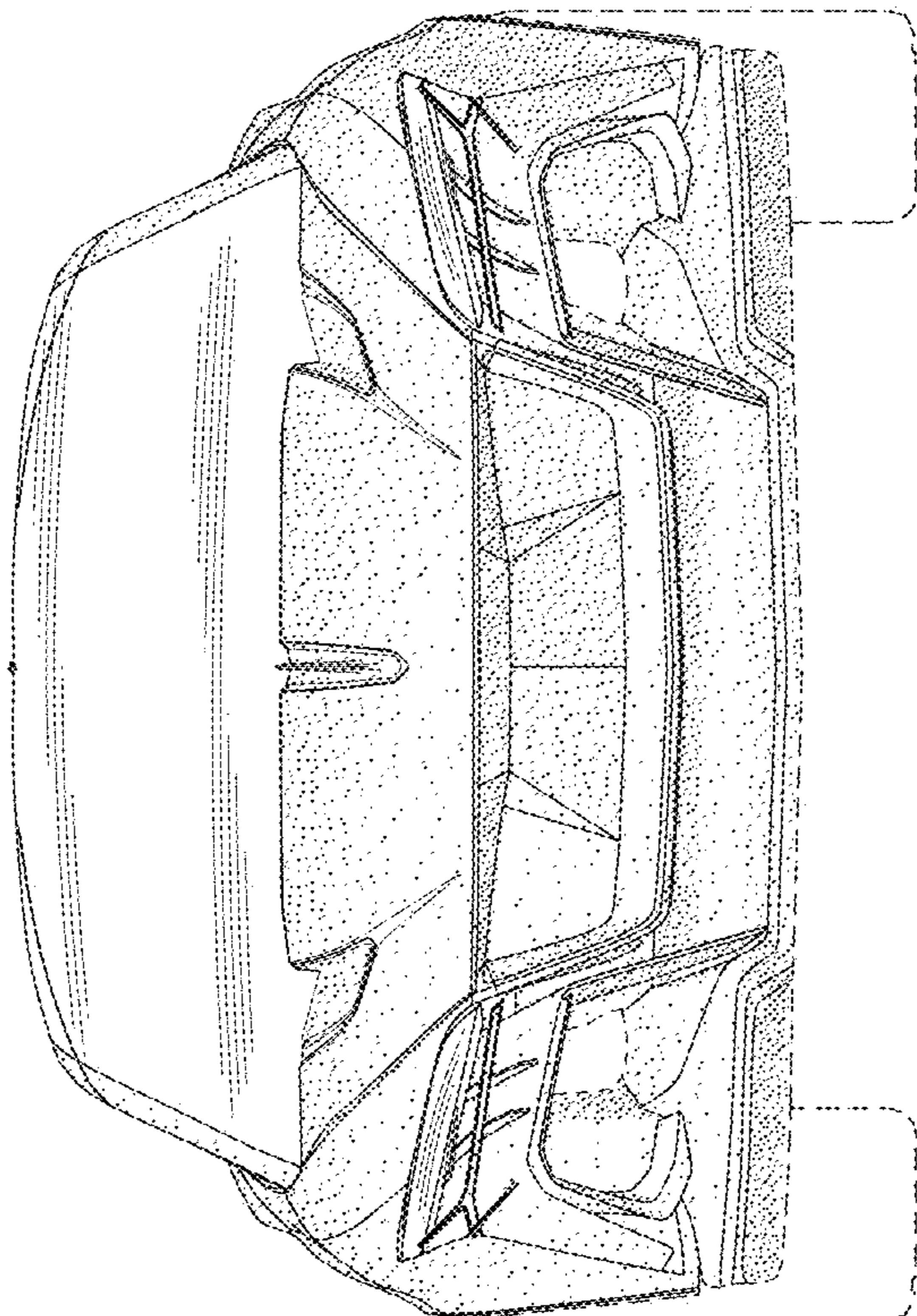


FIG. 5

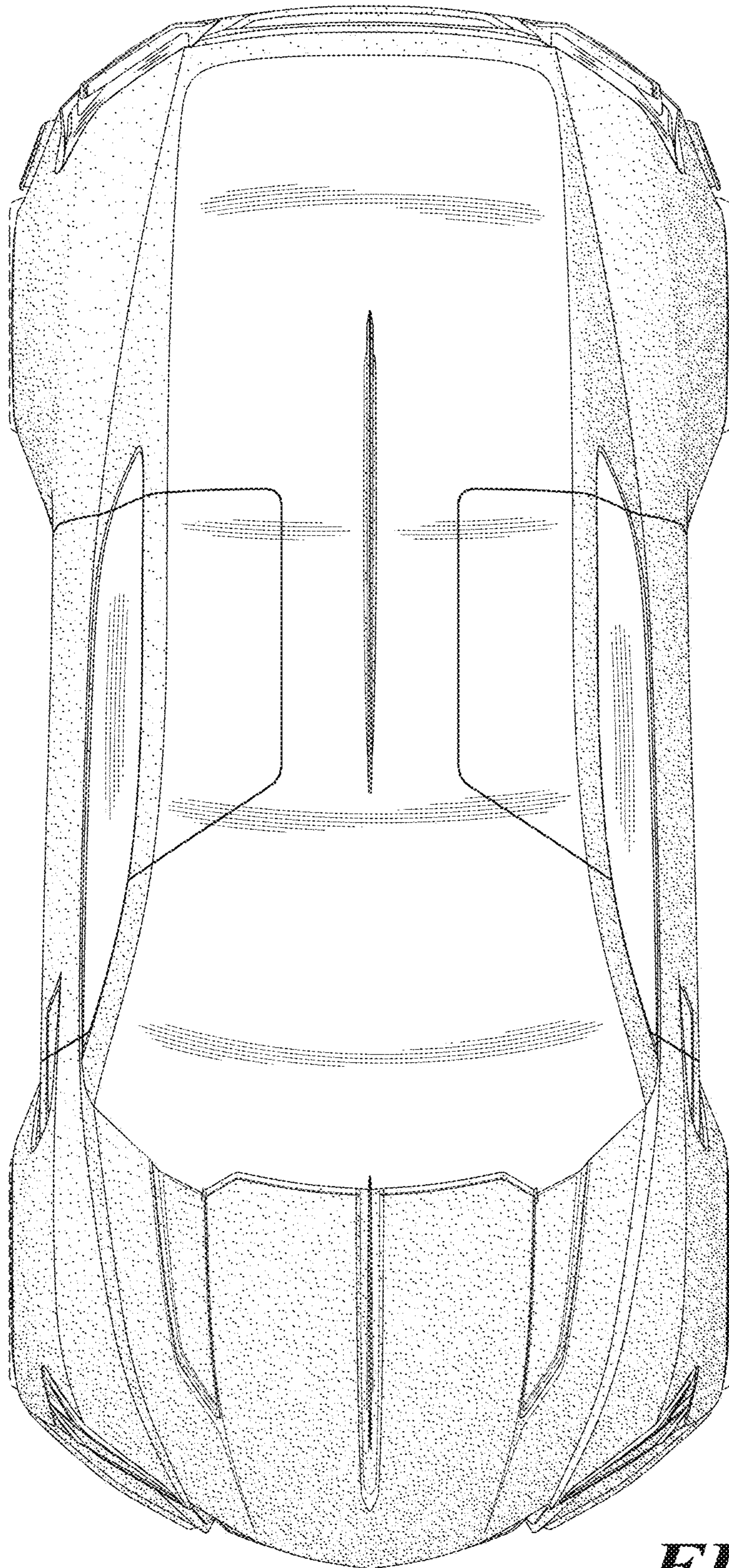


FIG. 7