



US00D913153S

(12) **United States Design Patent**  
**Bowers**

(10) **Patent No.:** **US D913,153 S**

(45) **Date of Patent:** **\*\* Mar. 16, 2021**

(54) **DRONE**

(71) Applicant: **Nicholas Bowers**, Fontana, WI (US)

(72) Inventor: **Nicholas Bowers**, Fontana, WI (US)

(\*\*) Term: **15 Years**

(21) Appl. No.: **29/689,584**

(22) Filed: **Apr. 30, 2019**

(51) **LOC (13) Cl.** ..... **12-07**

(52) **U.S. Cl.**  
USPC ..... **D12/16.1**

(58) **Field of Classification Search**  
USPC ..... D12/1, 2, 3, 4, 16.1, 174, 319-345;  
D15/436-455; D13/109  
CPC ..... B64C 29/0033; B64C 2201/021; B64C  
29/02; B64C 2201/088; B64C 2201/104;  
B64C 2201/141  
See application file for complete search history.

(56) **References Cited**

**U.S. PATENT DOCUMENTS**

D648,808 S \* 11/2011 Seydoux ..... D21/441  
D751,490 S \* 3/2016 Chen ..... D12/16.1

D751,491 S \* 3/2016 Chen ..... D12/16.1  
D809,992 S \* 2/2018 Hu ..... D12/328  
D862,359 S \* 10/2019 Chen ..... D12/328  
2017/0101174 A1 \* 4/2017 Ou ..... B64C 39/024  
2018/0208301 A1 \* 7/2018 Ye ..... B64D 35/02

\* cited by examiner

*Primary Examiner* — John A Voytek

(74) *Attorney, Agent, or Firm* — Eric Hanscom

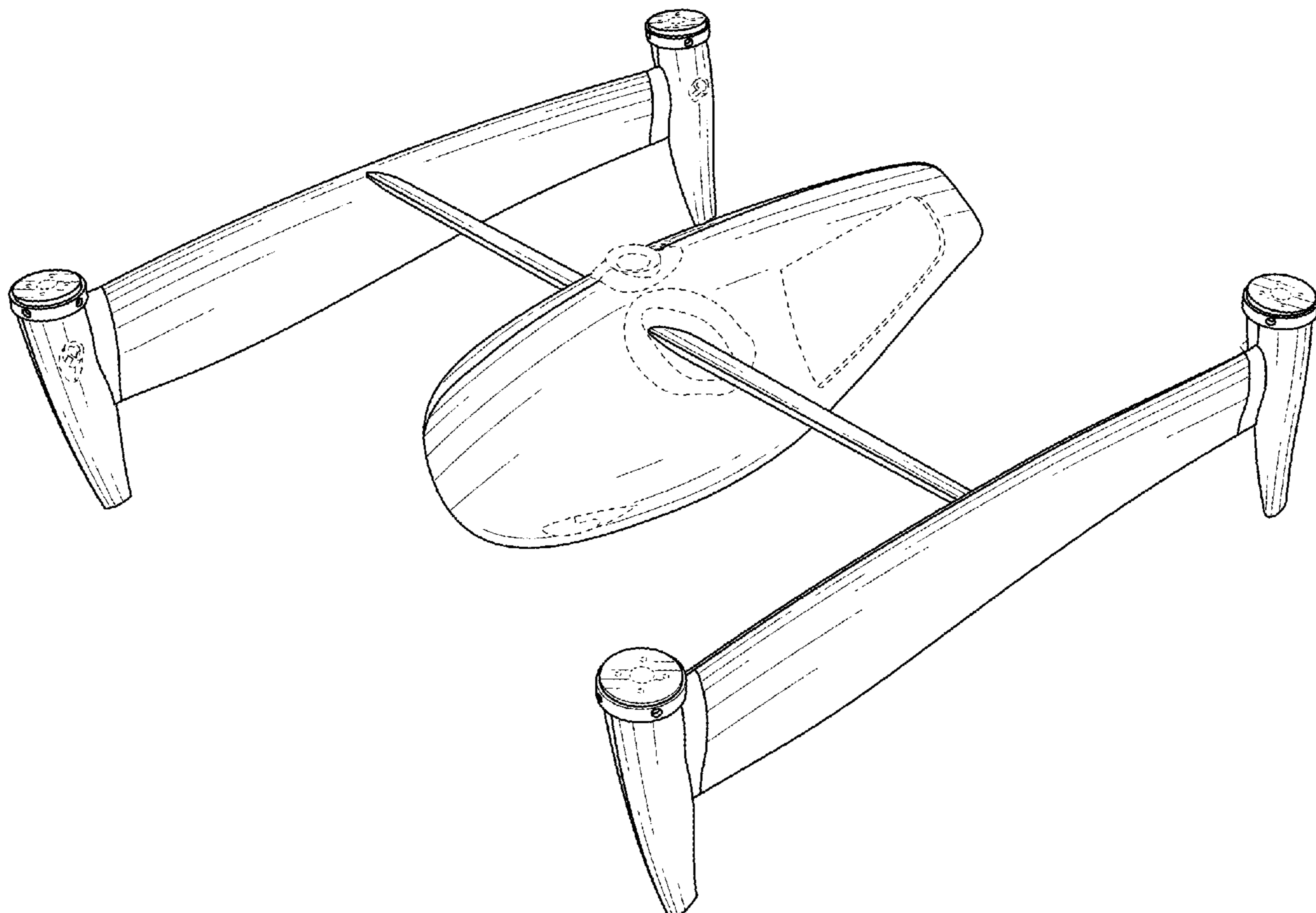
(57) **CLAIM**

The ornamental design for a drone, as shown and described.

**DESCRIPTION**

FIG. 1 is a perspective view of a drone showing my new design;  
FIG. 2 is a bottom perspective view thereof;  
FIG. 3 is a front view thereof;  
FIG. 4 is a rear view thereof;  
FIG. 5 is a left-side view thereof;  
FIG. 6 is a right-side view thereof;  
FIG. 7 is a top view thereof; and,  
FIG. 8 is a bottom view thereof.  
The broken lines shown in the drawings show portions of the drone that form no part of the claimed design.

**1 Claim, 8 Drawing Sheets**



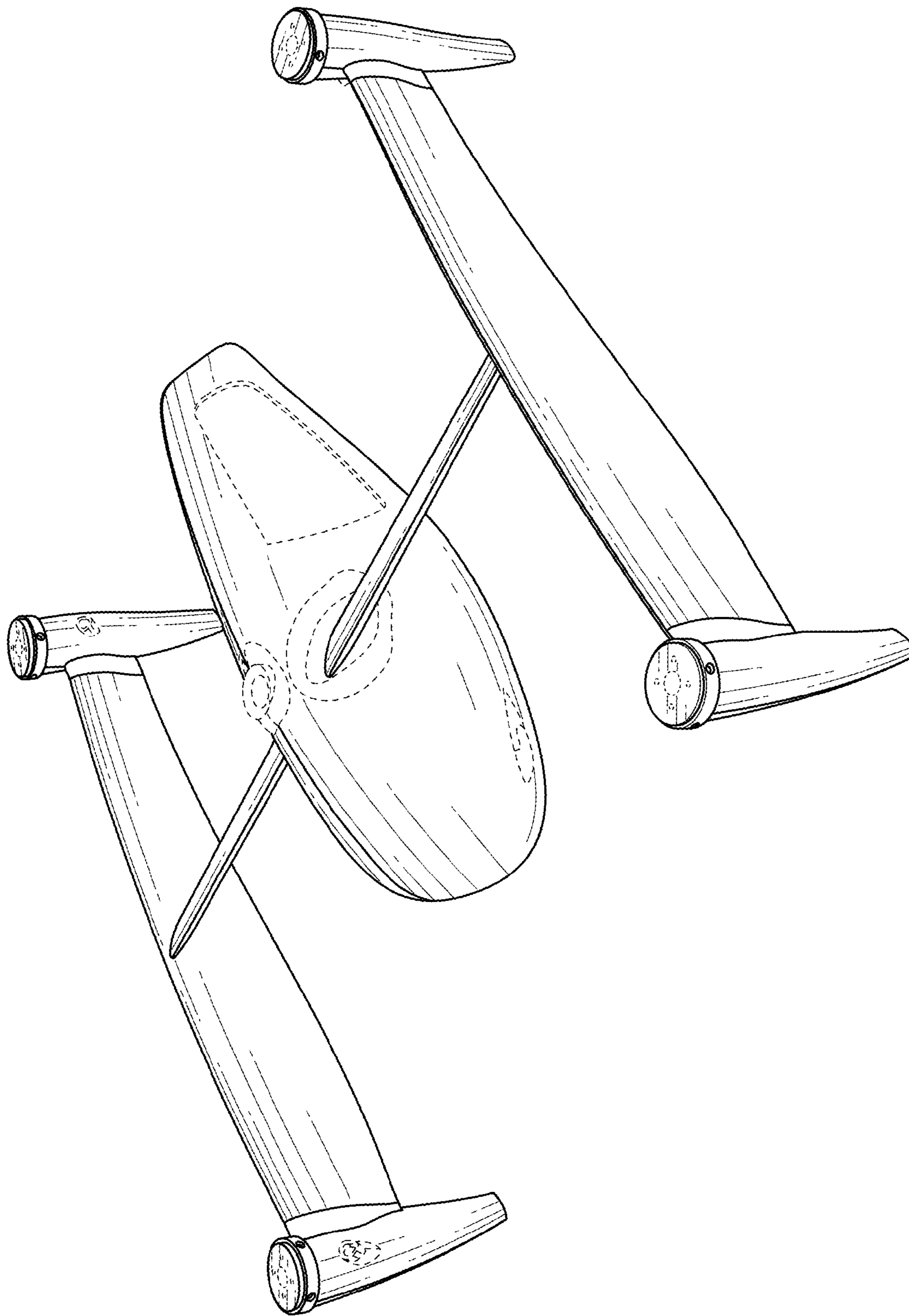


FIG. 1

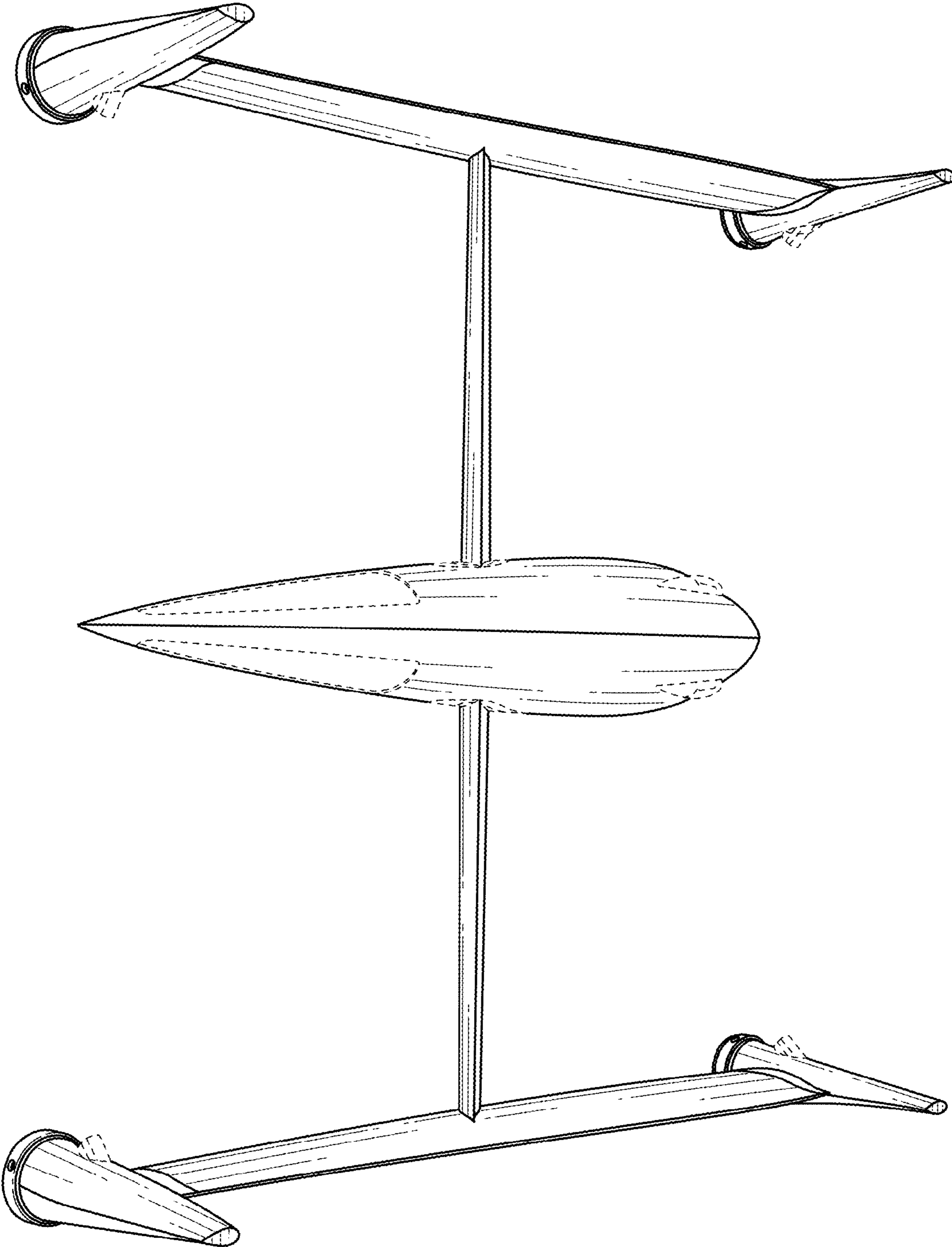


FIG. 2

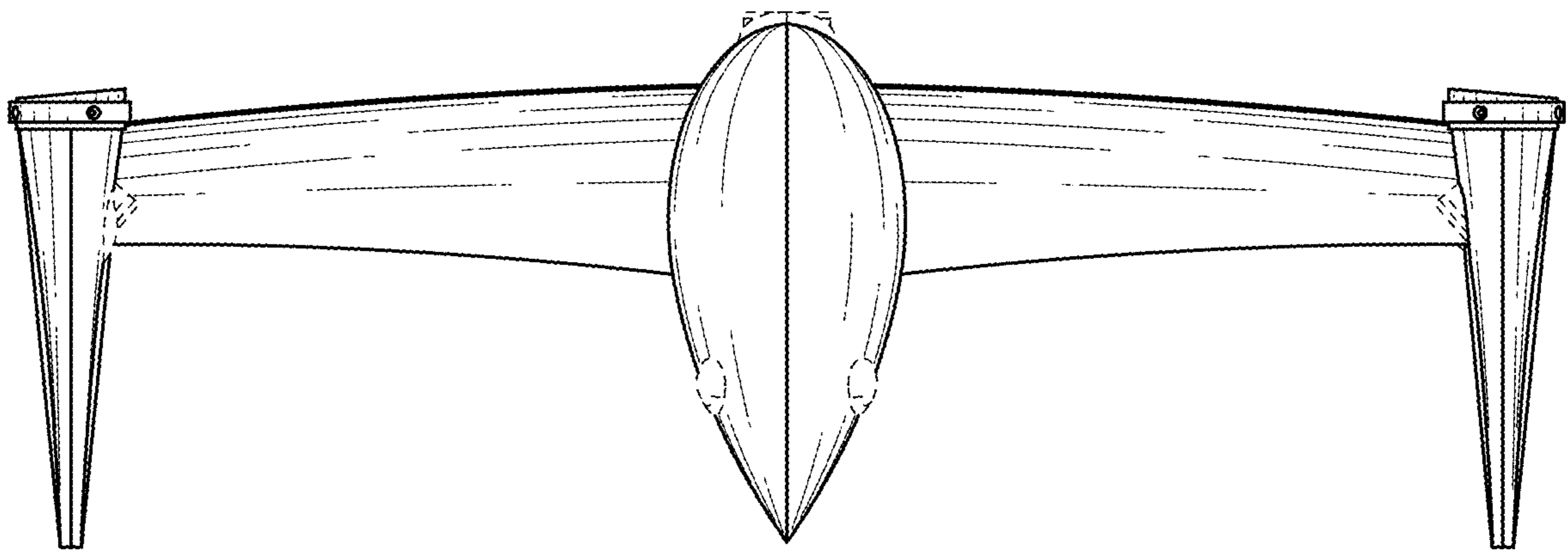


FIG. 3

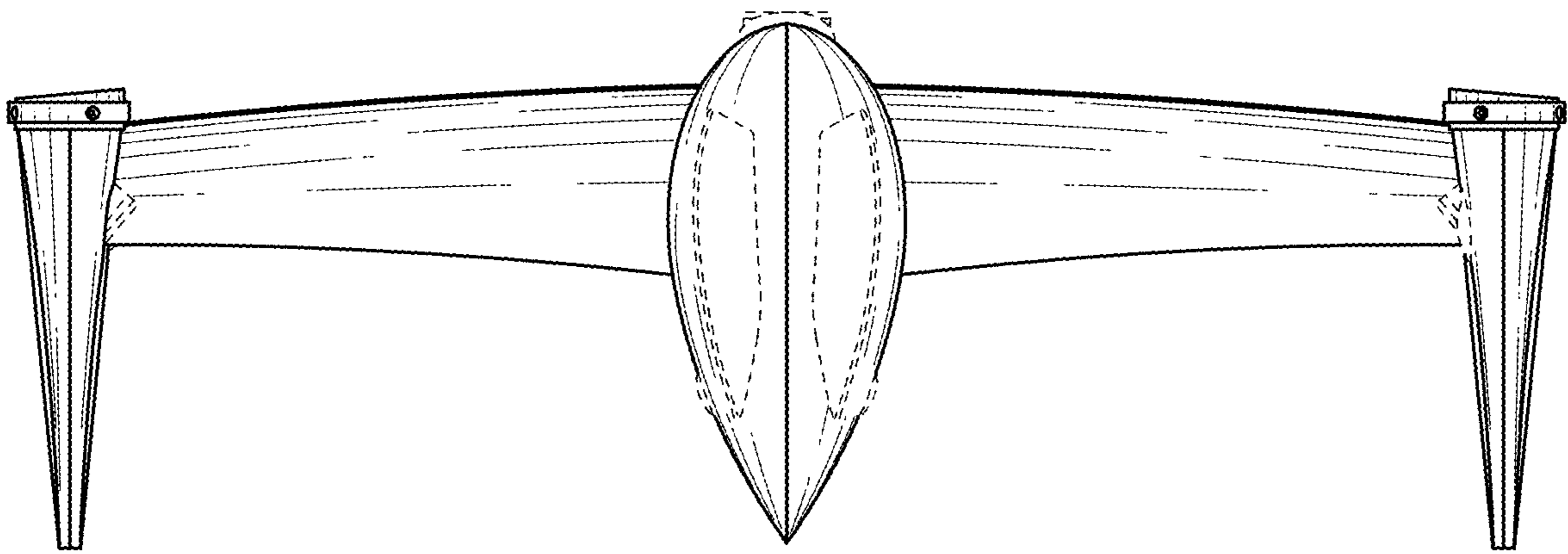


FIG. 4



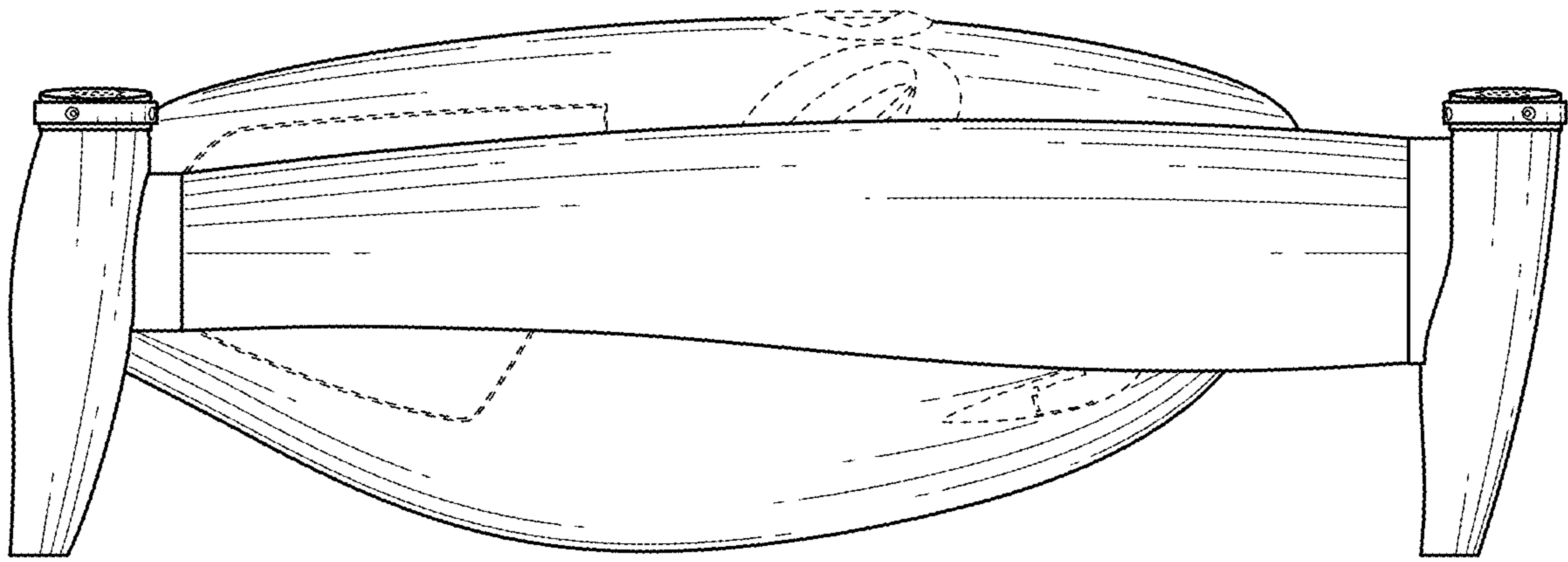


FIG. 5

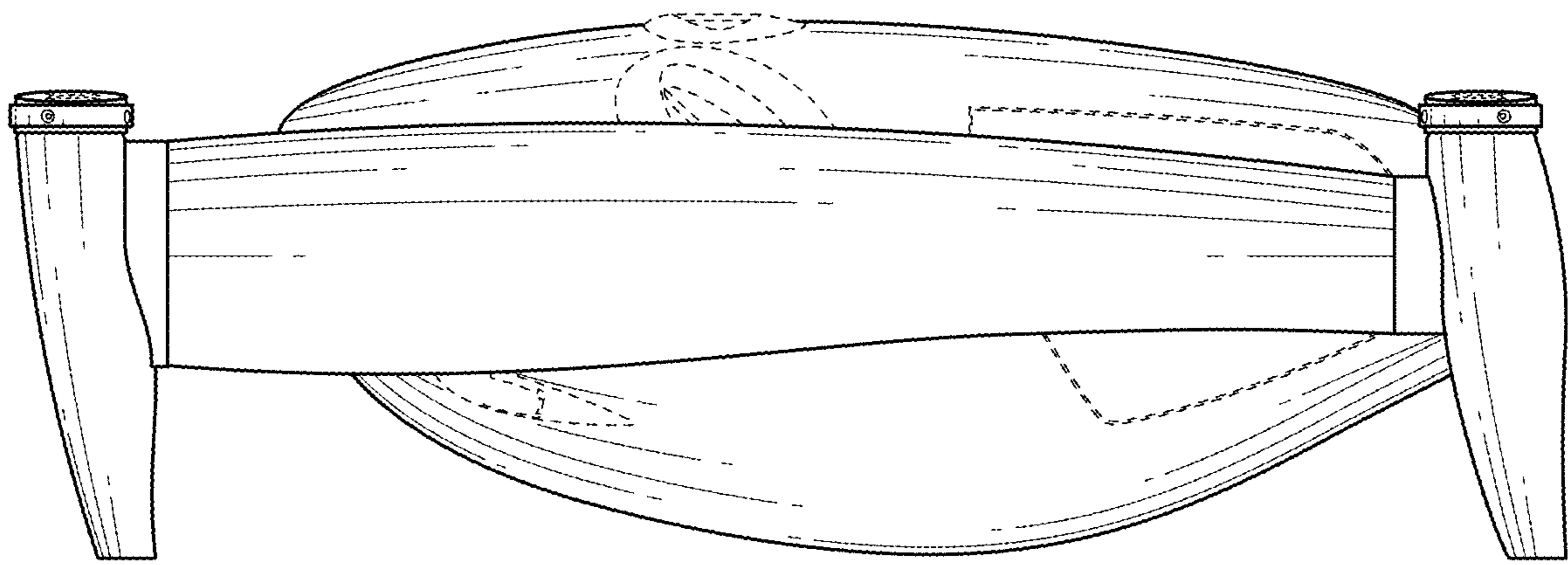


FIG. 6

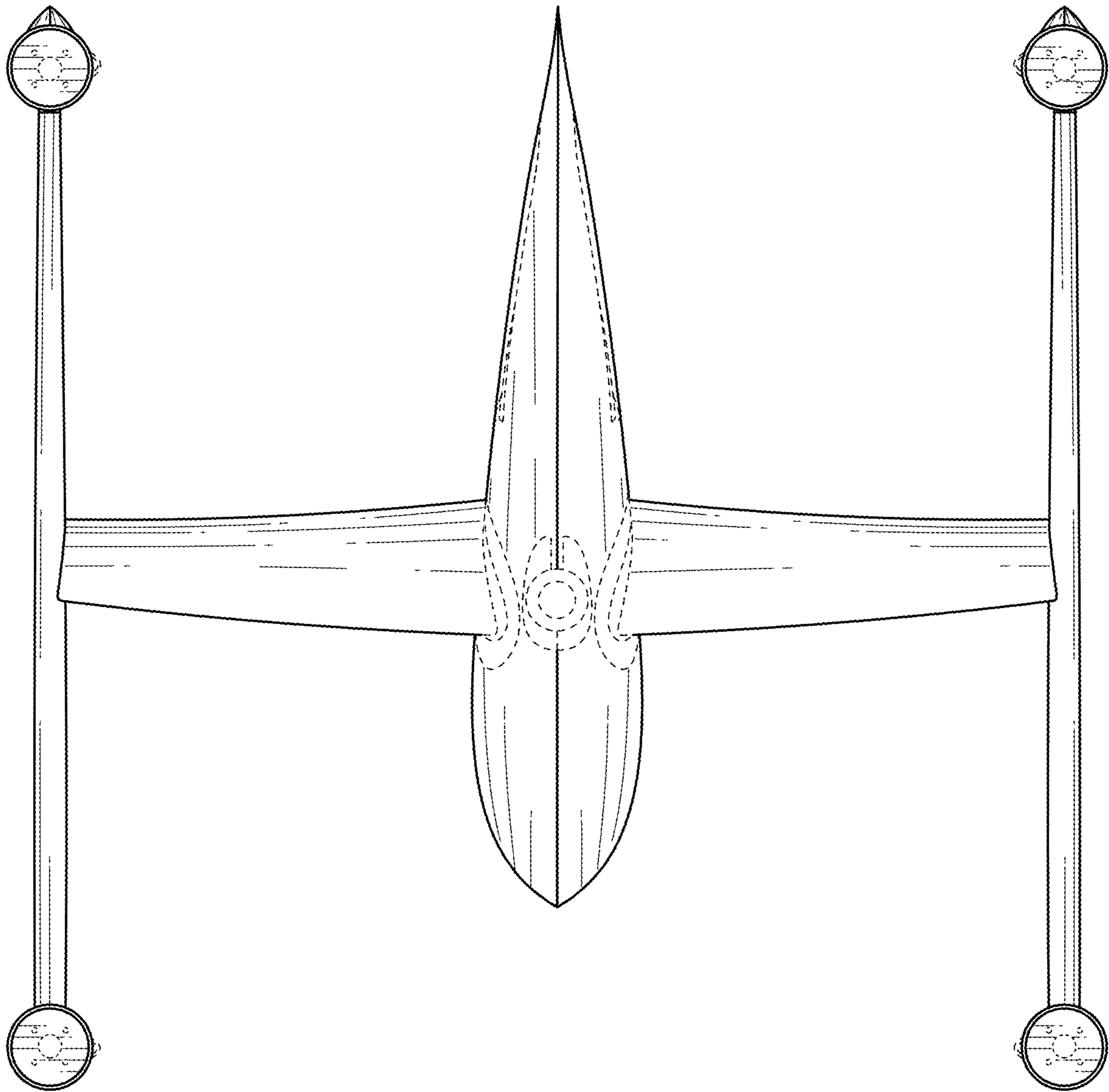


FIG. 7



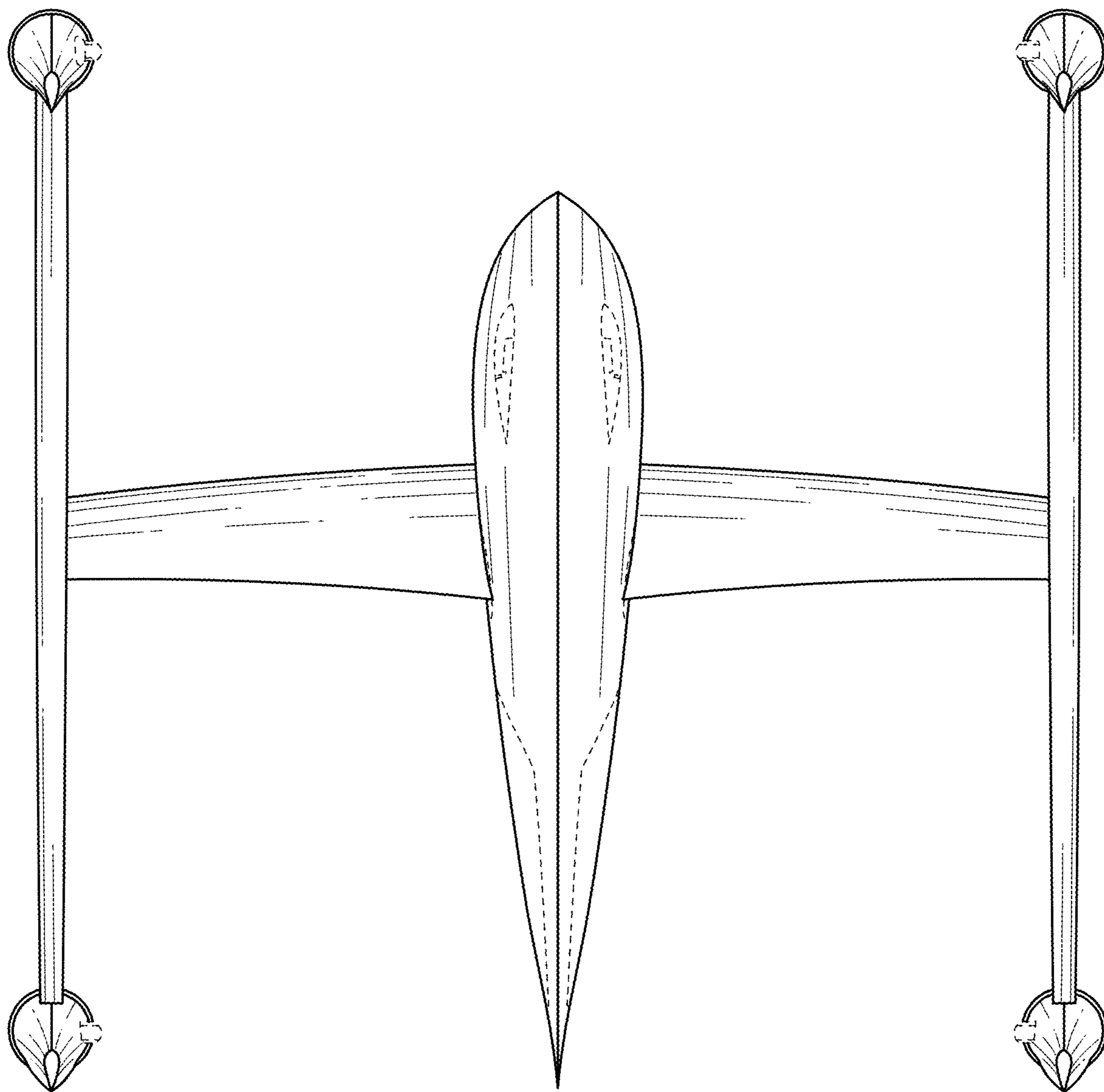


FIG. 8