



US00D913152S

(12) **United States Design Patent**  
**Kiel et al.**

(10) **Patent No.:** **US D913,152 S**  
(45) **Date of Patent:** **\*\* Mar. 16, 2021**

(54) **GUNNER PROTECTION TURRET ENCLOSURE WITH PERISCOPES AND CONTOURED HATCH**

(71) Applicant: **U.S. Government as Represented by the Secretary of the Army**, Dover, NJ (US)

(72) Inventors: **Thomas J. Kiel**, Bernardsville, NJ (US); **Kris J. Mayer**, Blairstown, NJ (US)

(73) Assignee: **U.S. Government as Represented by the Secretary of the Army**, Washington, DC (US)

(\*\*) Term: **15 Years**

(21) Appl. No.: **29/703,912**

(22) Filed: **Aug. 30, 2019**

(51) **LOC (13) Cl.** ..... **12-13**

(52) **U.S. Cl.**  
USPC ..... **D12/12**

(58) **Field of Classification Search**  
USPC ..... D12/1, 3, 12, 14, 85, 86, 87, 88;  
D21/433, 434, 539, 548, 550, 551, 552,  
D21/557, 559, 763; 89/36.08, 36.13,  
89/36.14, 37.03, 37.13, 40.03, 41.02,  
(Continued)

(56) **References Cited**

**U.S. PATENT DOCUMENTS**

D610,038 S \* 2/2010 Kiel ..... F41H 5/20  
D12/12  
D619,044 S \* 7/2010 Kiel ..... F41H 5/20  
D12/12

(Continued)

**OTHER PUBLICATIONS**

Picatinny Designs Gunner Protection—The United States Army, www.army.mil [online]. Published on Apr. 4, 2007, [retrieved on Jul. 13, 2020]. Retrieved from the Internet: <URL:https://www.army.mil/article/2528/picatinny\_designs\_latest\_advancement\_in\_gunner\_protection> (Year: 2007).\*

*Primary Examiner* — Michael A. Pratt

*Assistant Examiner* — Adam C Mager

(74) *Attorney, Agent, or Firm* — John P. DiScala

(57) **CLAIM**

The ornamental design for a gunner protection turret enclosure with periscopes and contoured hatch, as shown and described.

**DESCRIPTION**

The inventions described herein may be manufactured, used and licensed by or for the United States Government.

FIG. 1 is a front left perspective view of a gunner protection turret enclosure with periscopes and contoured hatch.

FIG. 2 is a front right perspective view of a gunner protection turret enclosure with periscopes and contoured hatch.

FIG. 3 is a front elevational view of a gunner protection turret enclosure with periscopes and contoured hatch.

FIG. 4 is a left side elevational view of a gunner protection turret enclosure with periscopes and contoured hatch.

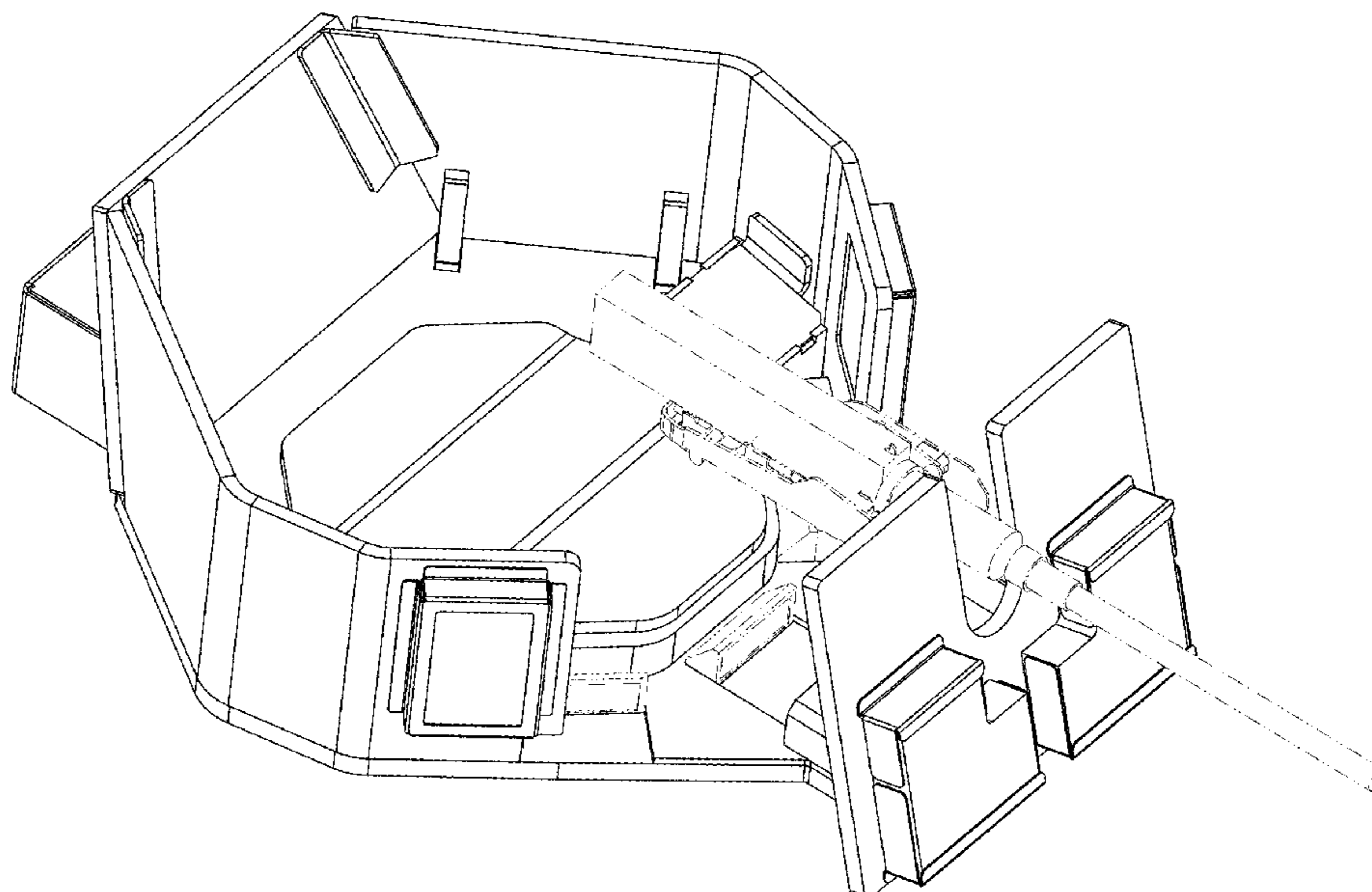
FIG. 5 is a right side elevational view of a gunner protection turret enclosure with periscopes and contoured hatch.

FIG. 6 is a top plan view of a gunner protection turret enclosure with periscopes and contoured hatch; and,

FIG. 7 is a back elevational view of a gunner protection turret enclosure with periscopes and contoured hatch.

Broken lines depict unclaimed portions of the gunner protection turret enclosure with periscopes and contoured hatch and form no part of the claimed design.

**1 Claim, 7 Drawing Sheets**



# US D913,152 S

(58) **Field of Classification Search**

USPC ..... 89/41.12, 41.18, 45, 46; D22/100, 101,  
D22/199  
CPC ..... B62D 55/00; B62D 55/14; B60K 17/00;  
B60R 2021/132; B60Y 2200/124; B60Y  
2200/20; B60Y 2200/24; B60Y 2200/25;  
B60Y 2200/254; B60Y 2200/42; B60Y  
2200/40; F41H 7/00; F41A 23/24; F41A  
23/34

See application file for complete search history.

(56) **References Cited**

U.S. PATENT DOCUMENTS

D622,182 S \* 8/2010 Parimi ..... F41H 5/20  
D12/12  
7,942,092 B1 5/2011 Kiel

8,146,476 B2 4/2012 Schneider  
8,297,171 B2 \* 10/2012 Gagnon ..... F41A 27/20  
89/36.13  
8,678,655 B1 \* 3/2014 Mougeotte ..... F16C 39/02  
384/126  
8,910,559 B1 \* 12/2014 Berman ..... F41H 5/20  
89/36.08  
9,086,255 B1 \* 7/2015 Berman ..... F41H 7/048  
D751,947 S 3/2016 Kiel  
D781,746 S \* 3/2017 Kiel ..... D12/12  
D786,131 S \* 5/2017 Kiel ..... D12/12  
D849,597 S \* 5/2019 Kiel ..... D12/12  
D860,046 S \* 9/2019 Kiel ..... D12/12  
10,584,936 B2 \* 3/2020 Hotz ..... F41A 27/24  
2009/0120274 A1 5/2009 Schneider  
2011/0197747 A1 8/2011 Schneider  
2014/0083284 A1 \* 3/2014 Chu ..... F41H 7/048  
89/36.02

\* cited by examiner

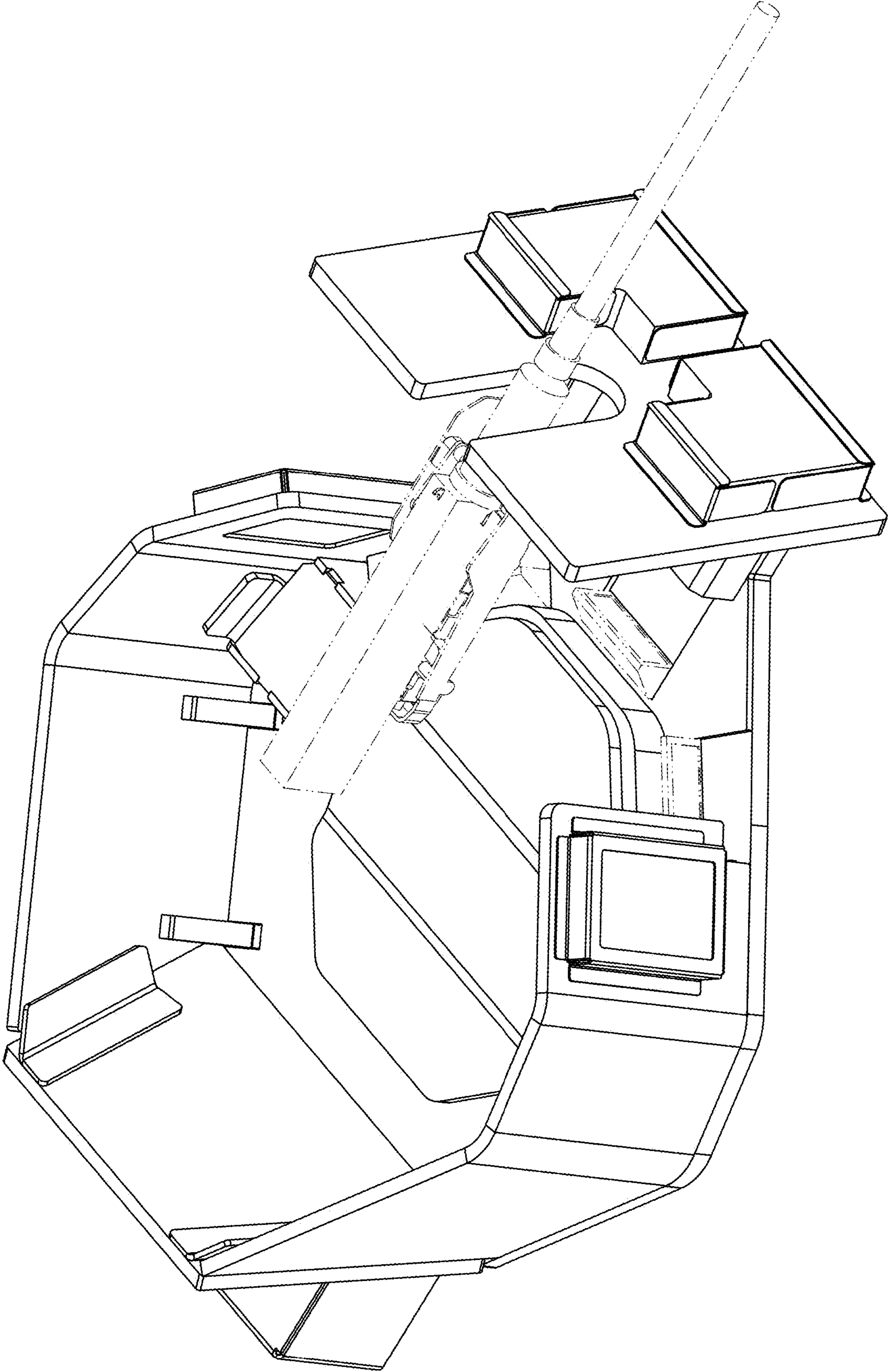


FIG. 1

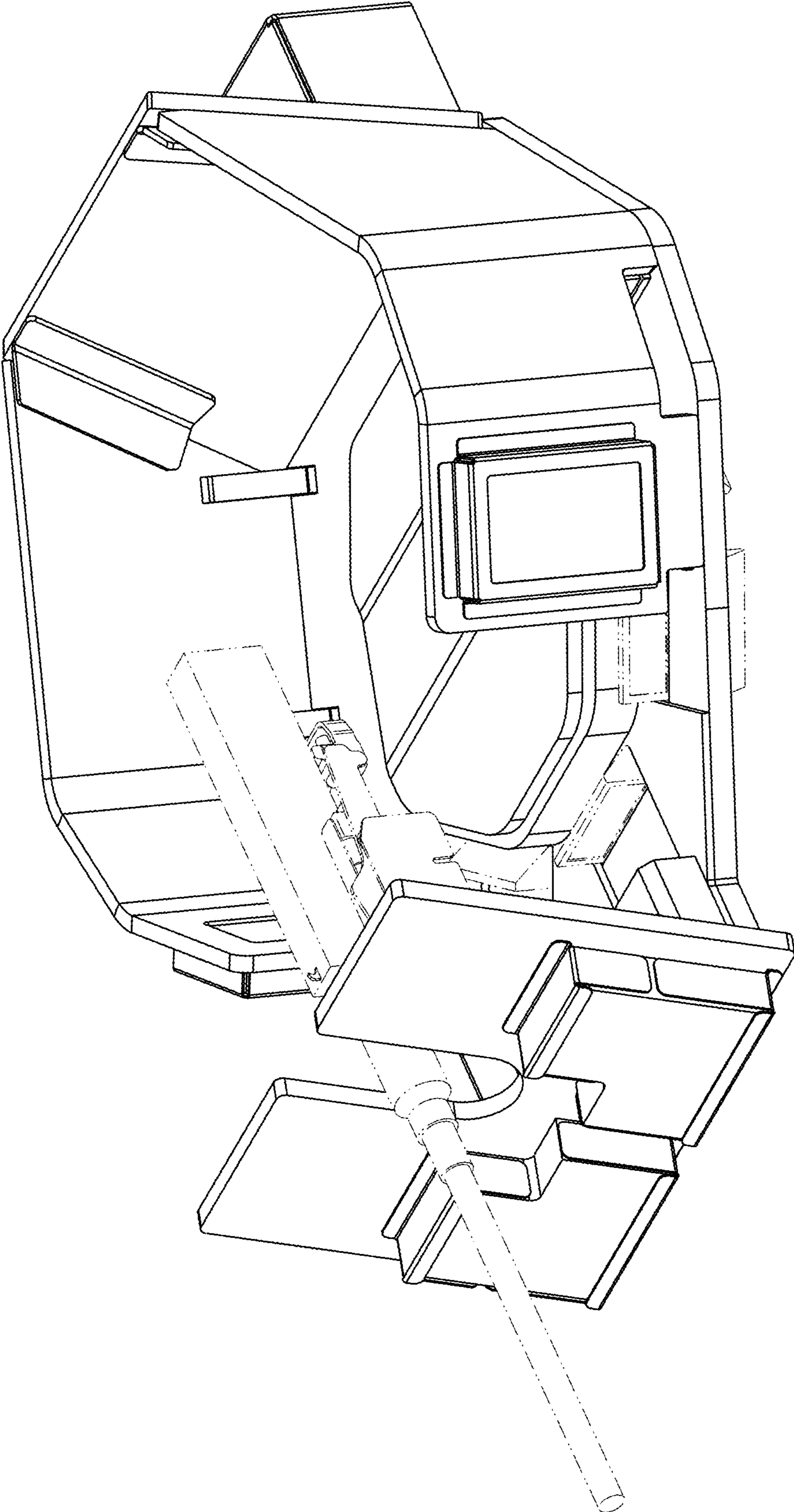


FIG. 2

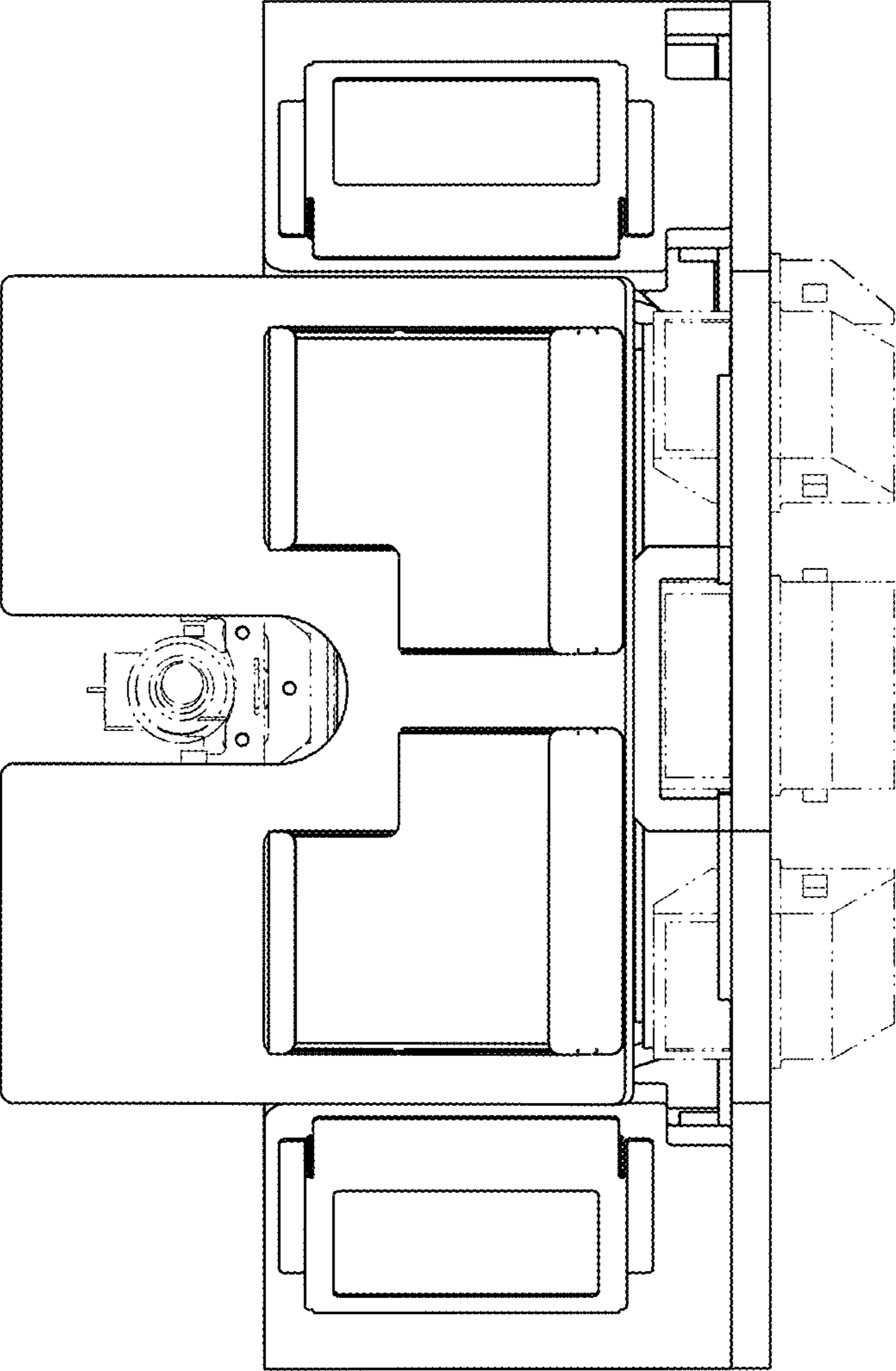


FIG. 3

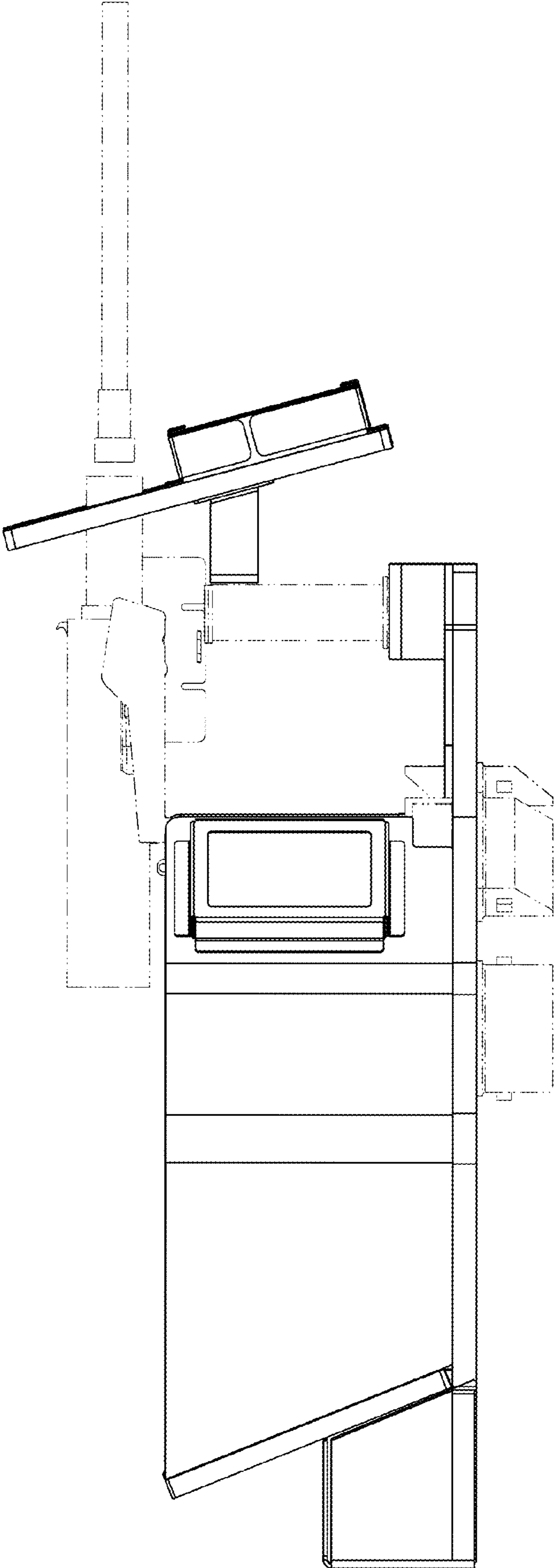


FIG. 4

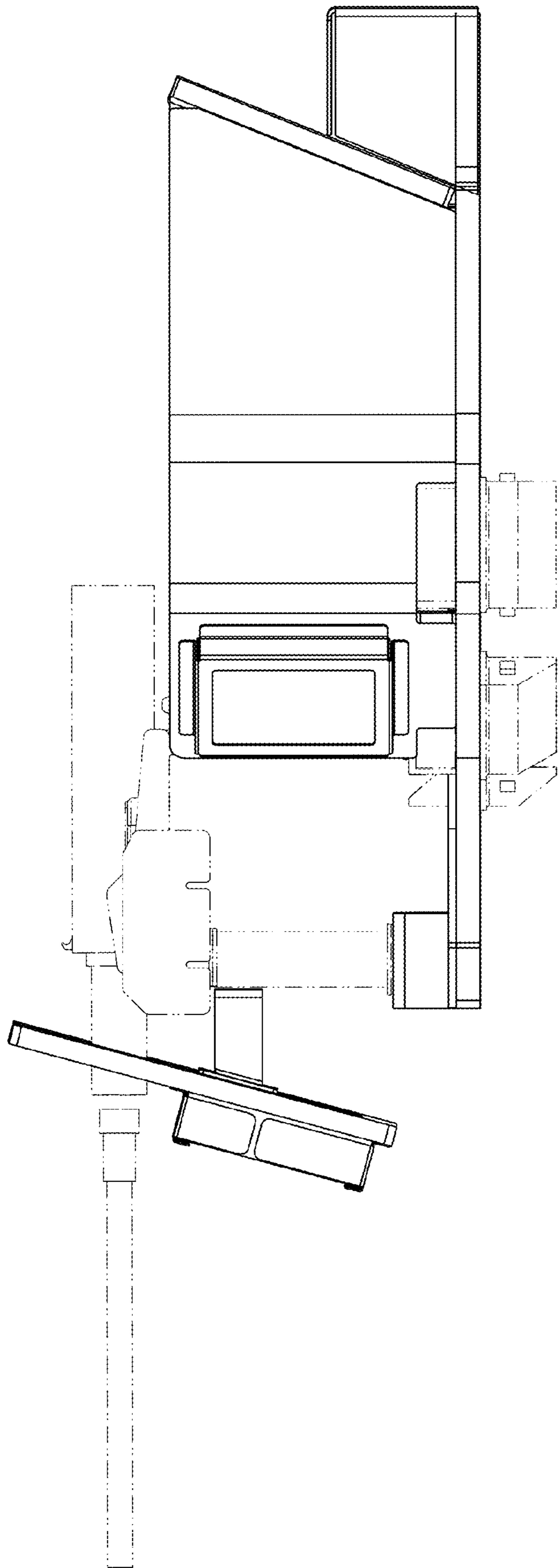


FIG. 5

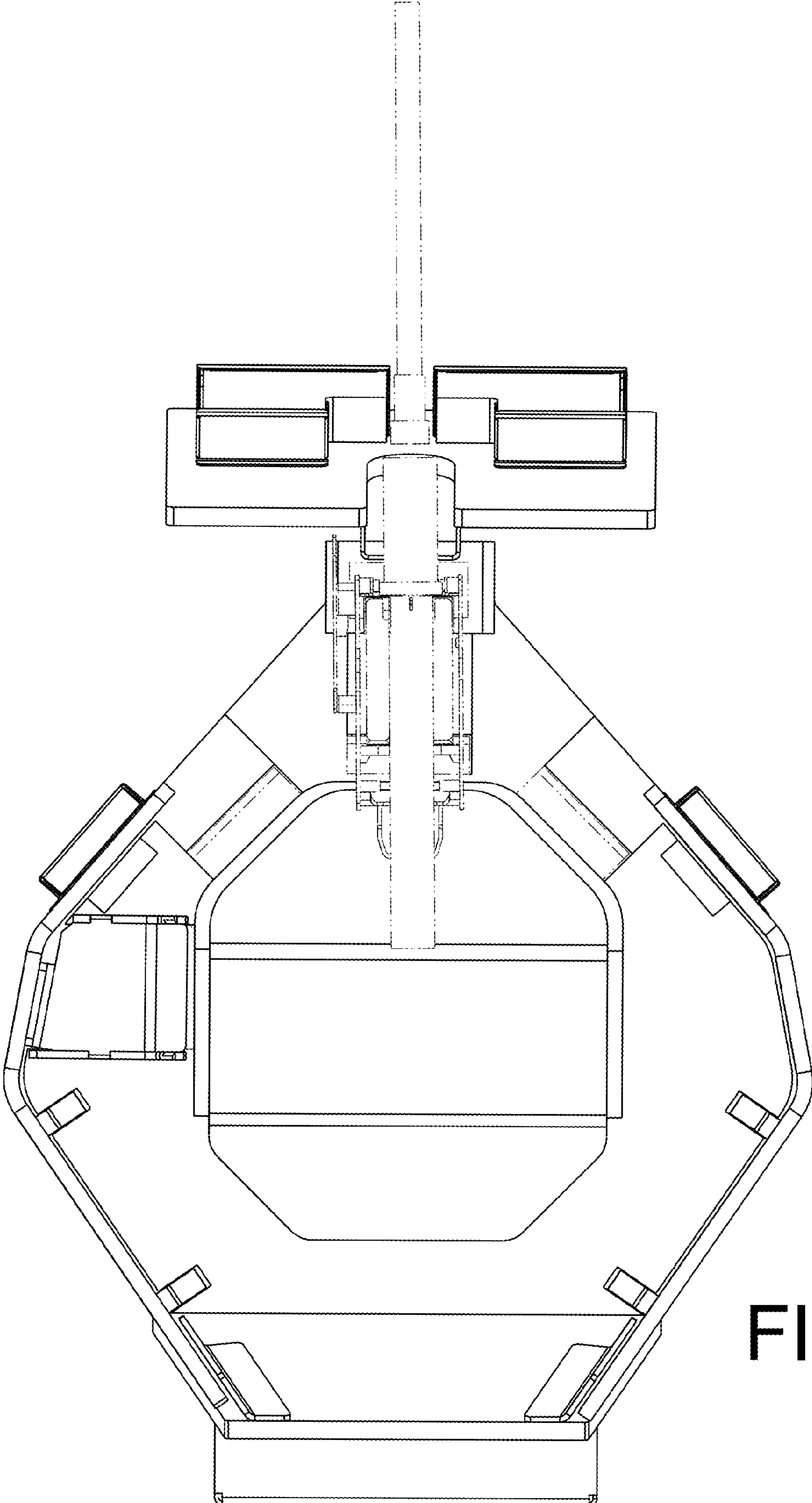


FIG. 6



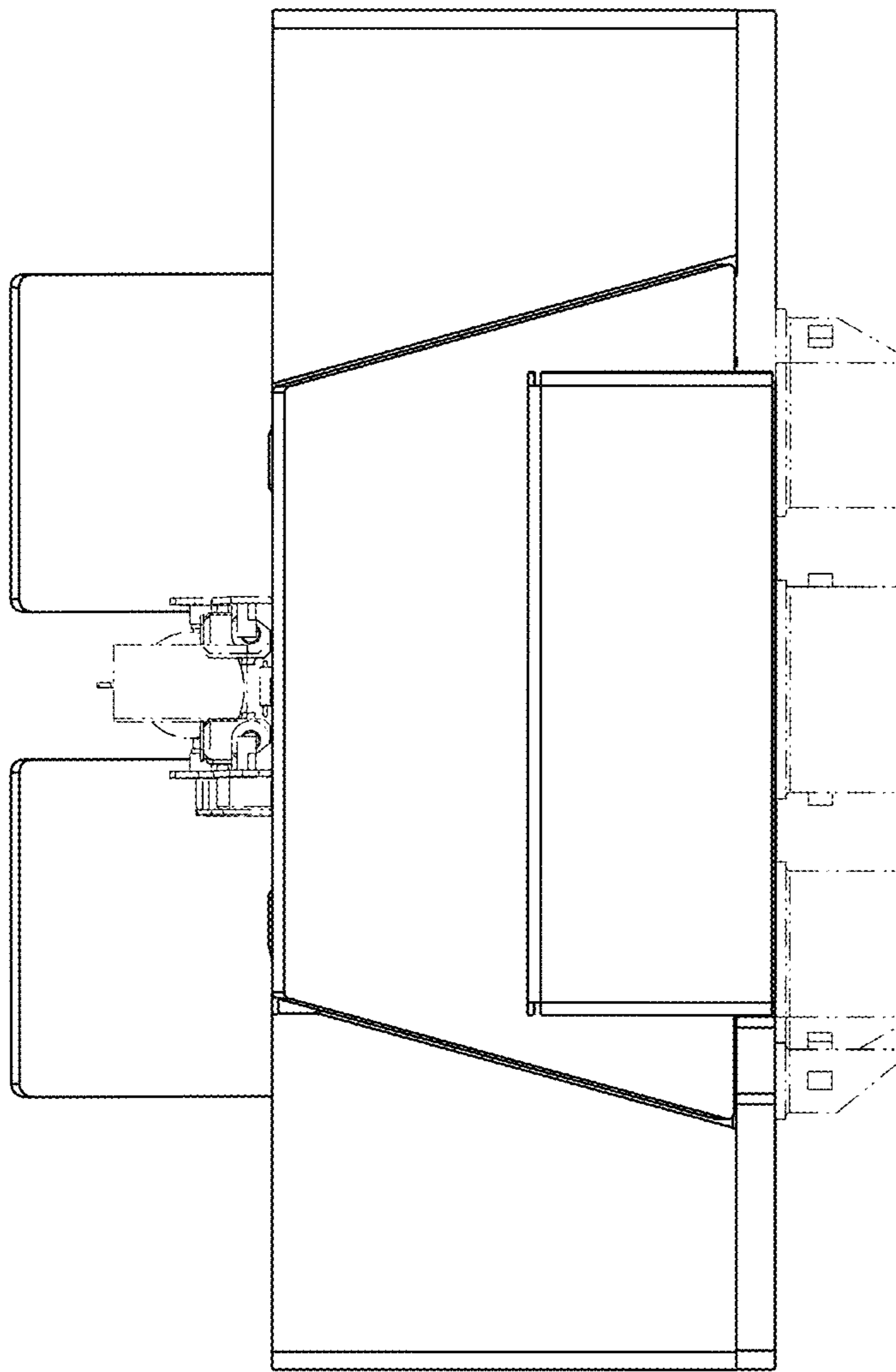


FIG. 7