



US00D913149S

(12) **United States Design Patent** (10) **Patent No.:** **US D913,149 S**
Fox (45) **Date of Patent:** **** Mar. 16, 2021**

(54) **PLANTER**
(71) Applicant: **Dencell Sinclair Fox**, Boulder, CO (US)
(72) Inventor: **Dencell Sinclair Fox**, Boulder, CO (US)
(**) Term: **15 Years**
(21) Appl. No.: **29/704,427**
(22) Filed: **Sep. 4, 2019**
(51) **LOC (13) Cl.** **11-02**
(52) **U.S. Cl.**
USPC **D11/148**
(58) **Field of Classification Search**
USPC D11/143–156, 164; D3/304, 306, 312; D6/403, 404, 405, 556, 557, 558; D8/1; D7/584, 587, 604, 606
CPC . A01G 9/00; A01G 9/02; A01G 9/021; A01G 9/022; A01G 9/027; A01G 9/029; A01G 9/085; A01G 9/122; A01G 31/02; A01G 31/06; A01G 5/04; A47G 7/00; A47G 7/02; A47G 7/03; A47G 7/06; A47G 7/08
See application file for complete search history.

(56) **References Cited**
U.S. PATENT DOCUMENTS
1,116,988 A * 11/1914 Burke A47J 43/14 99/497
1,649,874 A * 11/1927 Taylor A47J 43/22 99/499
1,667,335 A * 4/1928 Varkas A23G 3/50 426/390
1,945,967 A * 2/1934 Colbie B65D 7/34 220/669
D109,069 S * 3/1938 Matassa D11/152
D125,058 S * 2/1941 Ratner D11/152
2,641,299 A * 6/1953 Bloom A47G 7/08 156/172

3,116,770 A * 1/1964 Tanuma B26D 3/26 30/114
3,211,195 A * 10/1965 Porter B67C 11/02 141/337
D274,208 S * 6/1984 Hildenbrand D7/700
D325,872 S * 5/1992 Phillips D10/1
D326,626 S * 6/1992 McKnight D11/118
5,979,516 A * 11/1999 Grant F01M 11/0408 141/114
D419,330 S * 1/2000 Bjornbraten D6/403
D429,972 S * 8/2000 Wang D7/667
D430,460 S * 9/2000 Yu D7/619.1
6,135,017 A * 10/2000 Wang A23J 1/09 99/497
D487,862 S * 3/2004 Tincher D7/620
D496,768 S * 9/2004 Izumoto D99/25
D524,605 S * 7/2006 Czebiniak D7/565
7,152,837 B1 * 12/2006 Babjak F16B 45/00 248/304
D567,030 S * 4/2008 Goodman D3/306
D567,038 S * 4/2008 Carallo D7/700

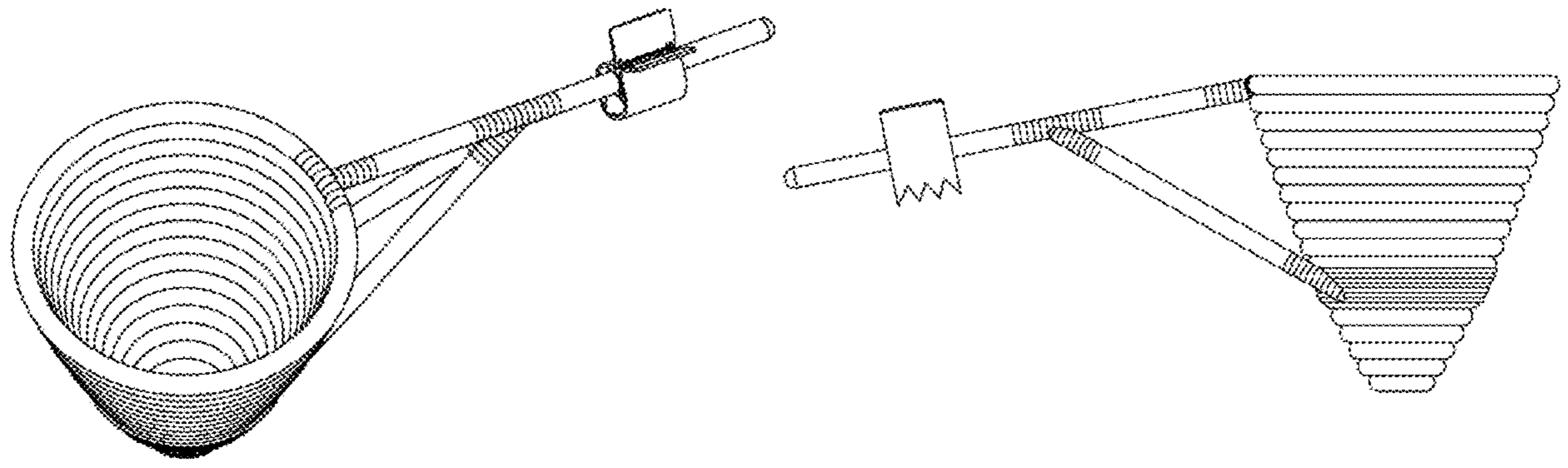
(Continued)

Primary Examiner — Elizabeth A. Albert
(74) *Attorney, Agent, or Firm* — Steven Rinehart

(57) **CLAIM**
I claim the ornamental design for the planter, as shown and described.

DESCRIPTION
FIG. 1 is an upper perspective view of a planter showing my design;
FIG. 2 is a lower view thereof;
FIG. 3 is a top view thereof;
FIG. 4 is a bottom view thereof;
FIG. 5 is a right side view thereof;
FIG. 6 is a left side view thereof;
FIG. 7 is a rear view thereof; and,
FIG. 8 is a front view thereof.

1 Claim, 5 Drawing Sheets



(56)

References Cited

U.S. PATENT DOCUMENTS

| | | | |
|--------------|---------|-------------------|---------|
| D568,145 S * | 5/2008 | Handel | D8/370 |
| D593,383 S * | 6/2009 | Pallotto | D7/700 |
| D632,908 S * | 2/2011 | Tincher | D6/513 |
| D649,709 S * | 11/2011 | Loman | D27/183 |
| D685,290 S * | 7/2013 | Silvera | D11/148 |
| D775,425 S * | 12/2016 | Petruccelli | D28/73 |
| D820,721 S * | 6/2018 | Wang | D11/143 |
| D831,534 S * | 10/2018 | Wang | D11/152 |
| D841,141 S * | 2/2019 | Neigut | D23/342 |

* cited by examiner

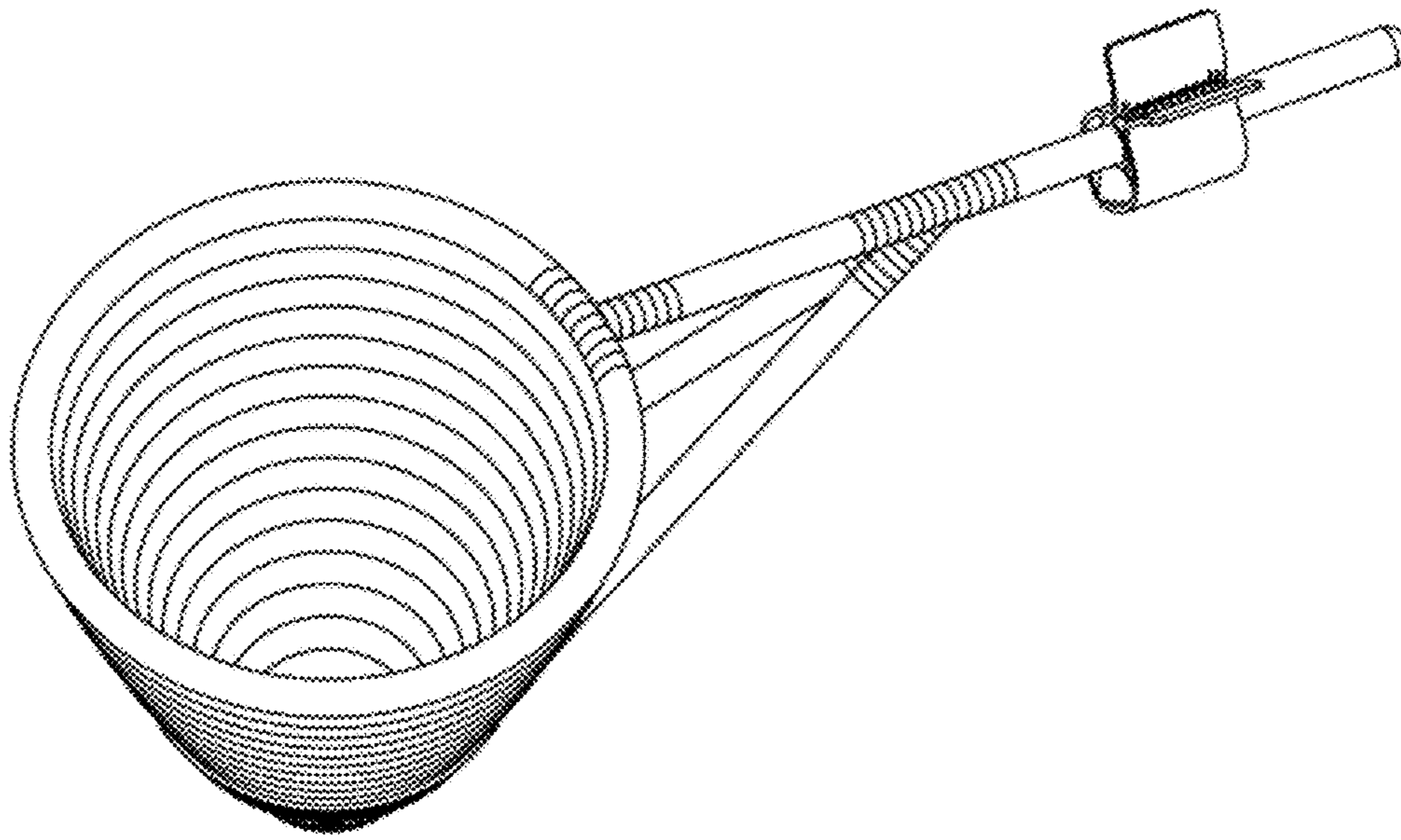


FIG. 1

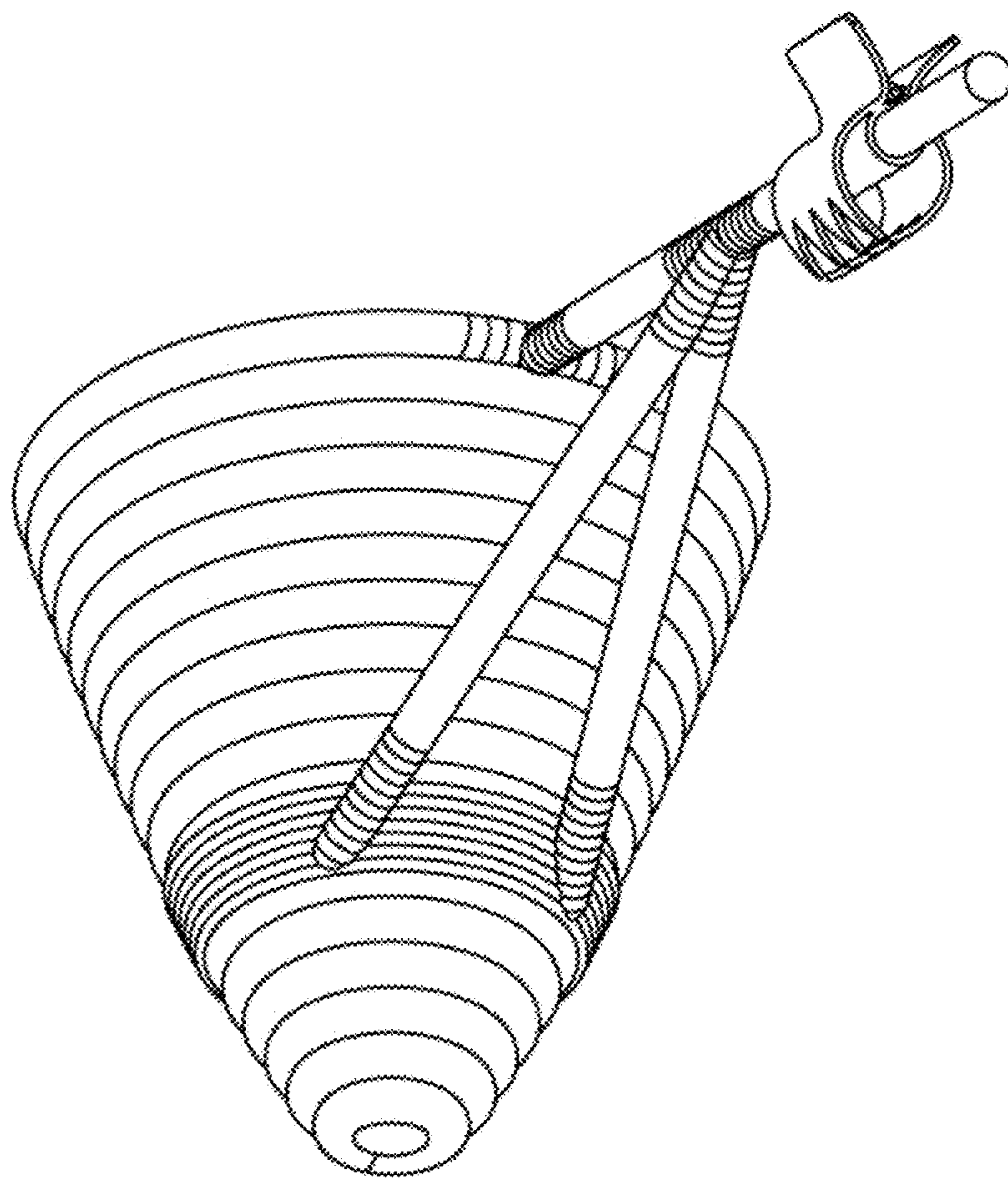


FIG. 2

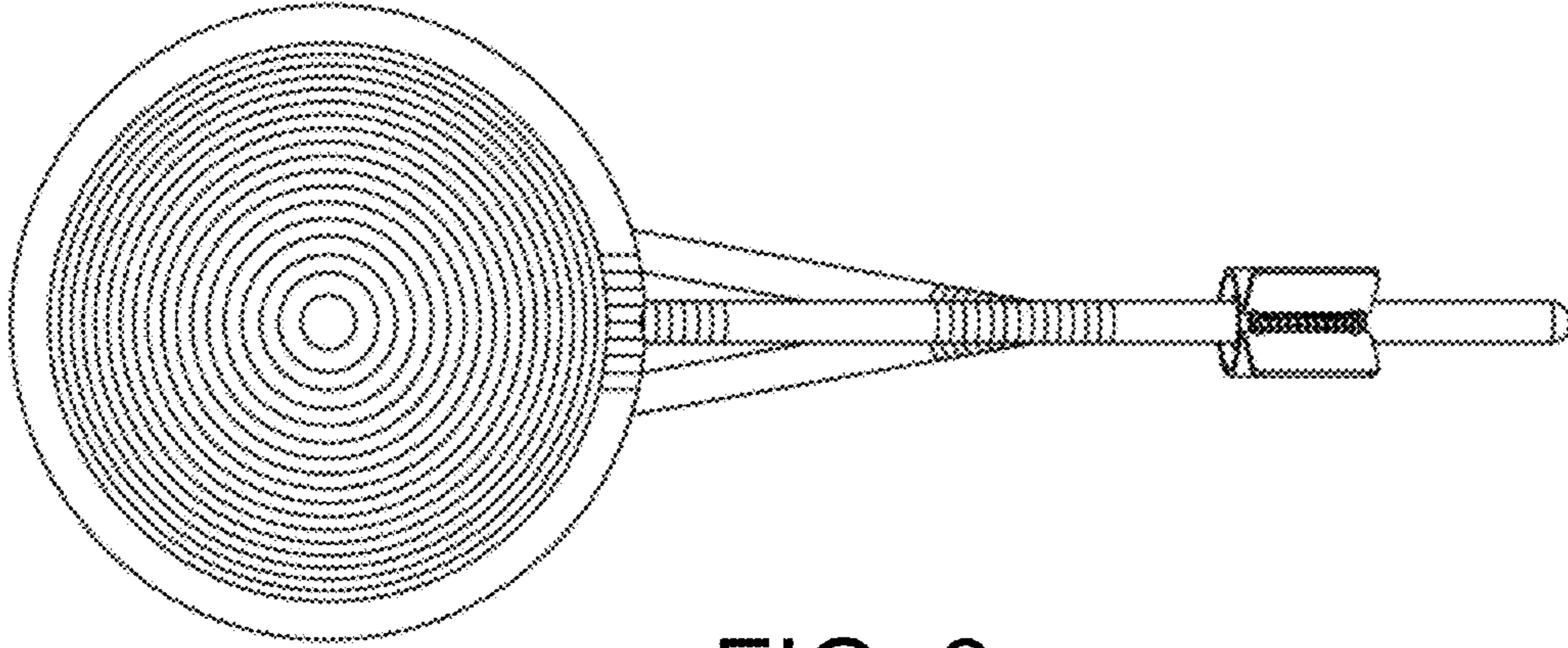


FIG. 3

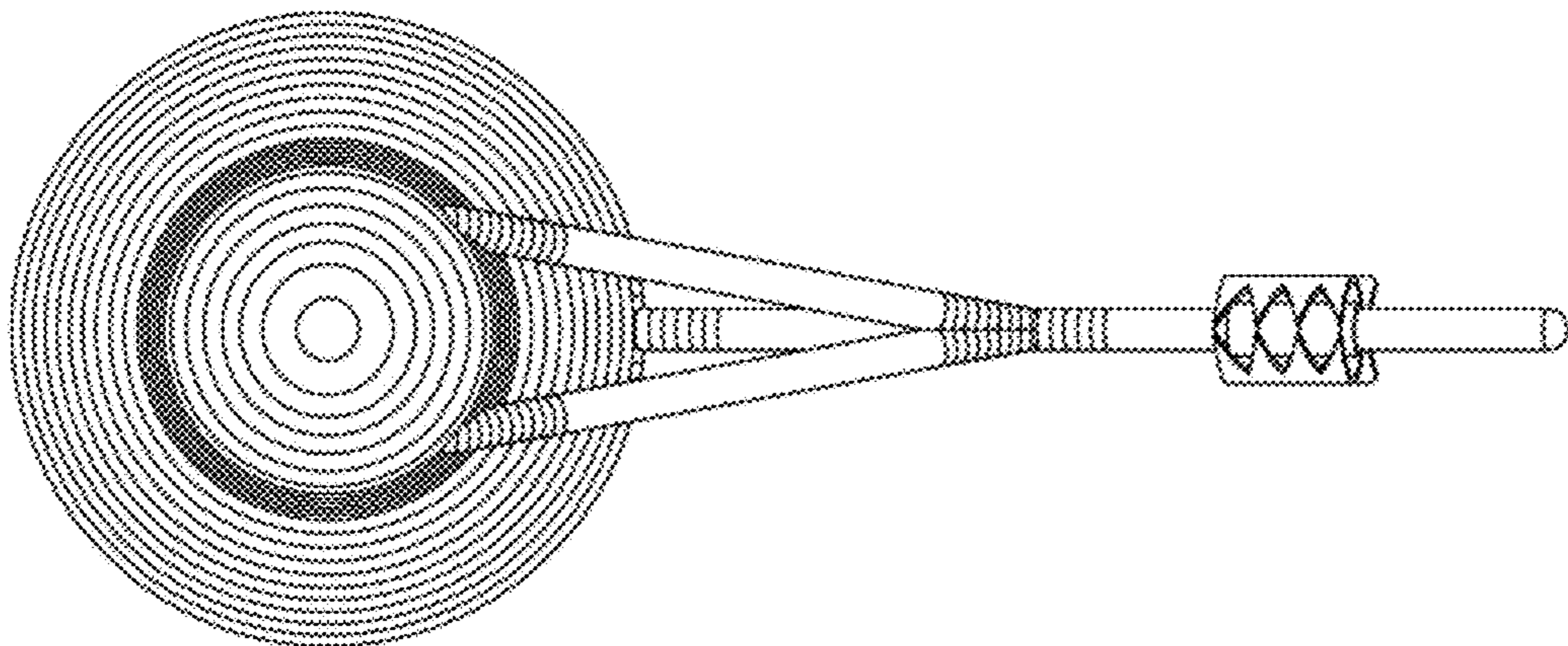


FIG. 4

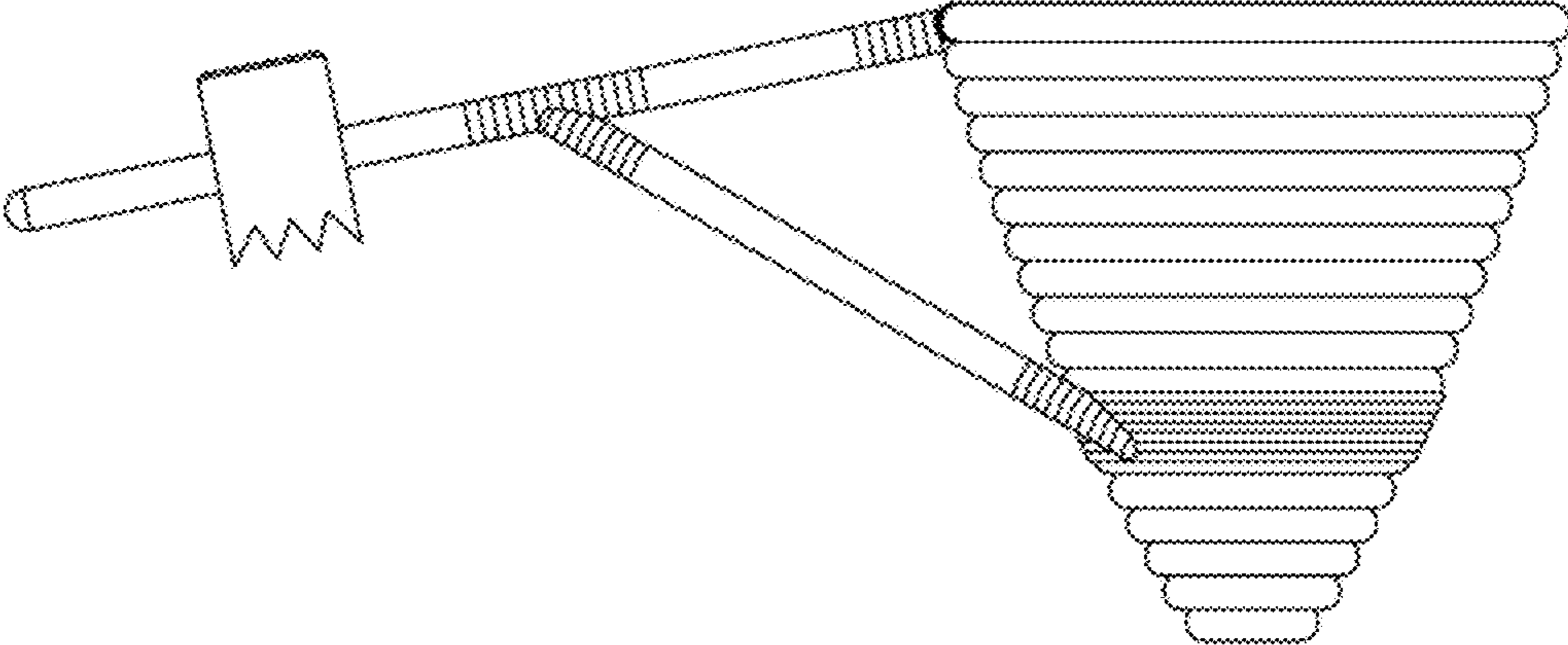


FIG. 5

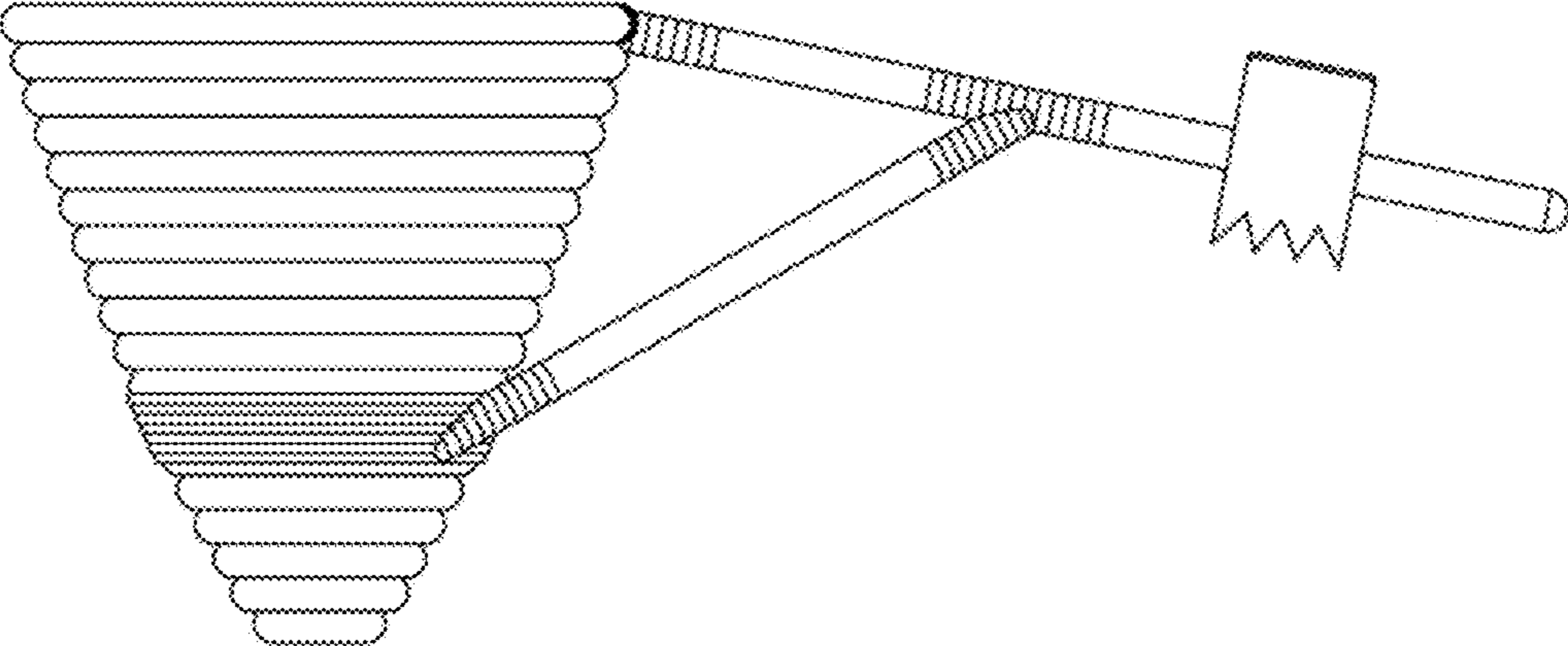


FIG. 6

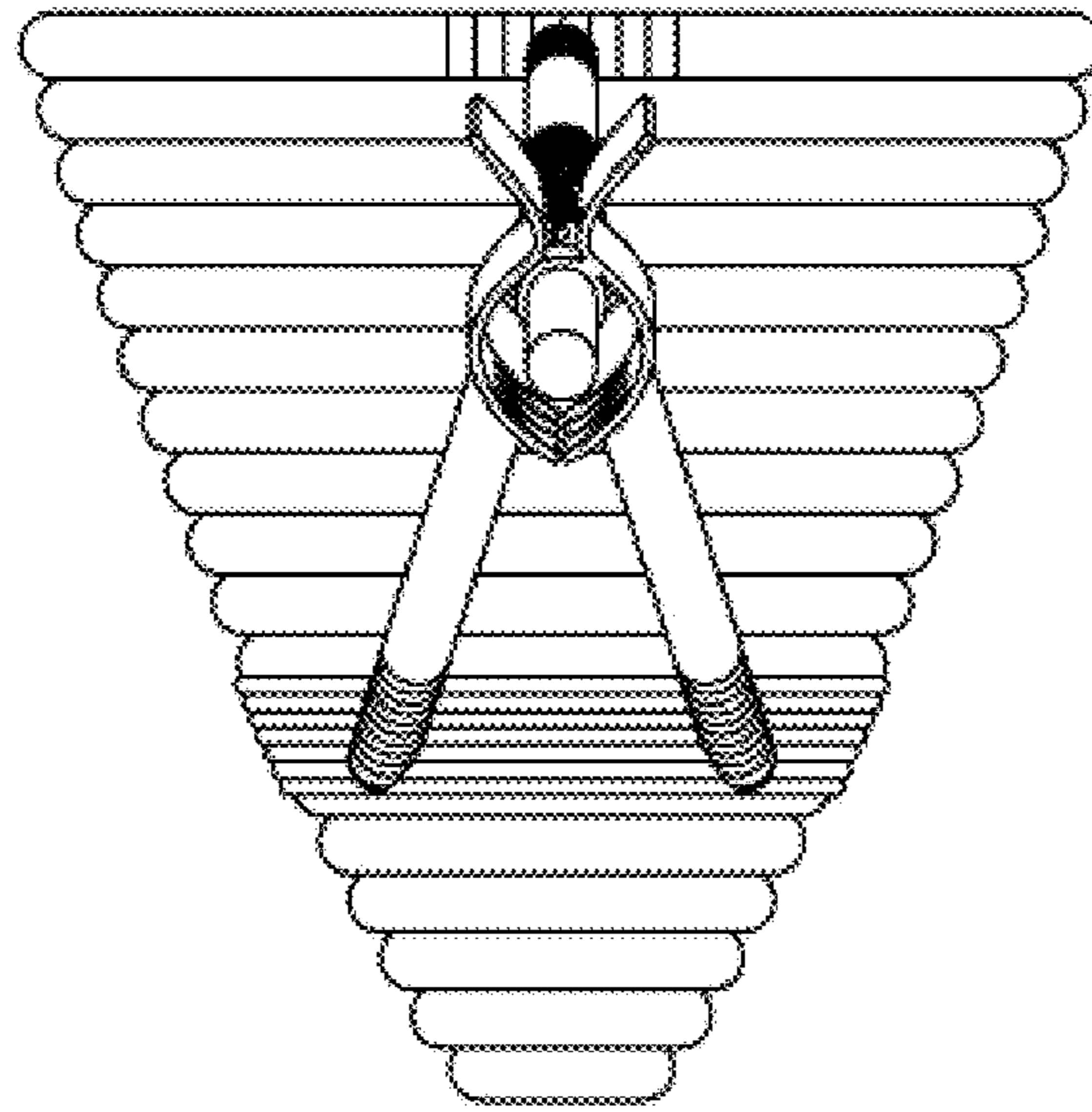


FIG. 7

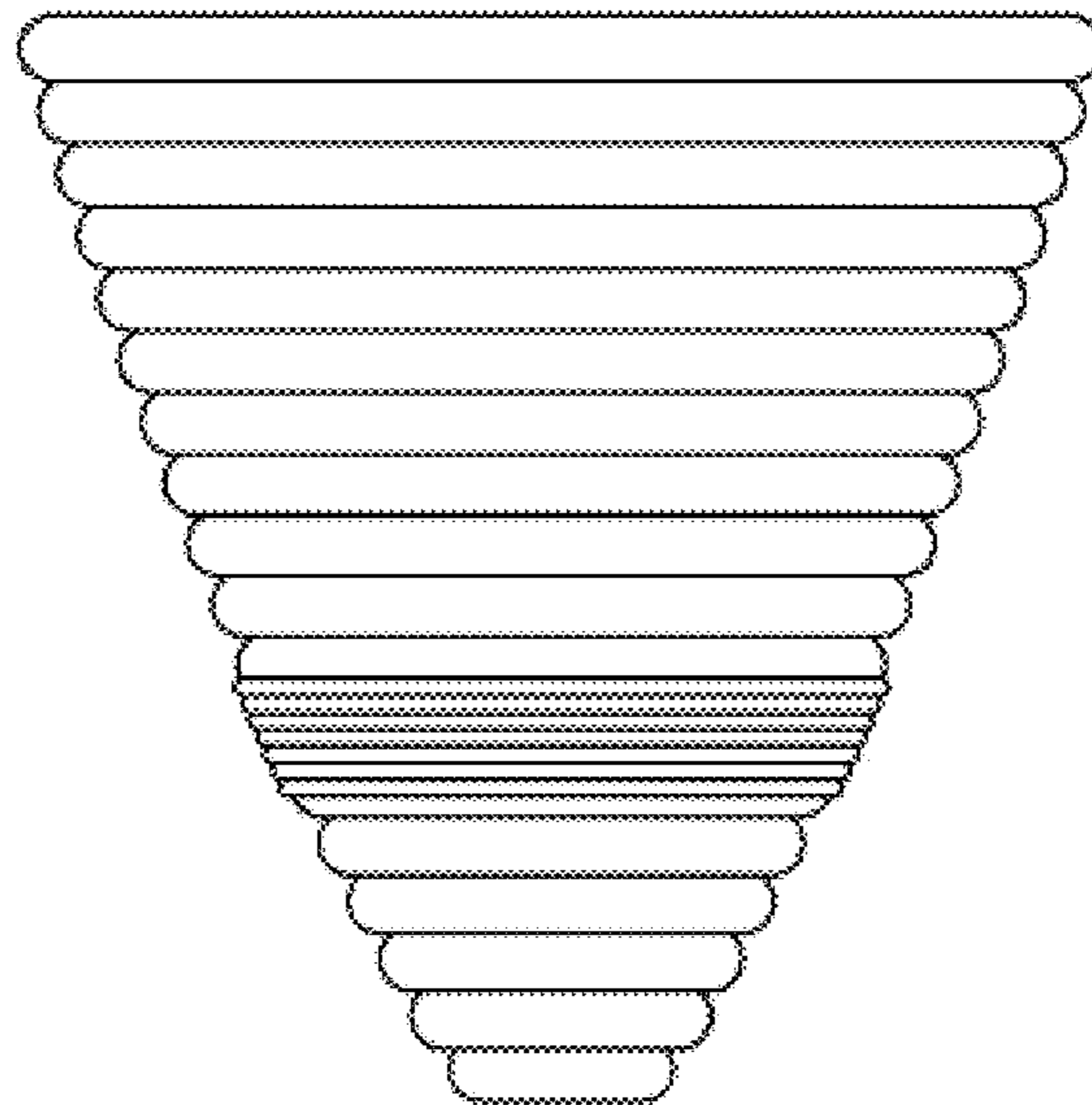


FIG. 8