



US00D913148S

(12) **United States Design Patent** (10) **Patent No.:** **US D913,148 S**
Chui (45) **Date of Patent:** **** Mar. 16, 2021**

(54) **ILLUMINATED ICE CREAM CONE ORNAMENT**

(71) Applicant: **Chiu Wai Chui**, Hong Kong (CN)

(72) Inventor: **Chiu Wai Chui**, Hong Kong (CN)

(**) Term: **15 Years**

(21) Appl. No.: **29/716,548**

(22) Filed: **Dec. 10, 2019**

Related U.S. Application Data

(63) Continuation-in-part of application No. 29/716,544, filed on Dec. 10, 2019.

(51) **LOC (13) Cl.** **11-02**

(52) **U.S. Cl.**
USPC **D11/133; D11/157; D26/73**

(58) **Field of Classification Search**
USPC D11/204, 223, 225, 232, 238, 241, 44, D11/48, 63, 67, 81, 84, 99, 115, 131, D11/133, 139, 157, 184; D26/57, 72-74; D20/23, 26, 29; D6/303, 306; D1/106, D1/116; D5/20, 36
CPC G09F 1/08
See application file for complete search history.

(56) **References Cited**

U.S. PATENT DOCUMENTS

D241,184 S *	8/1976	French	D1/106
D262,047 S *	11/1981	Lewis	D21/507
D284,726 S *	7/1986	Appel	D1/118
D305,191 S *	12/1989	Wasserman	D7/555
D343,867 S *	2/1994	Mendelsohn	D20/40
D378,863 S *	4/1997	Wang	D23/411
D438,815 S *	3/2001	Shin	D11/118
D485,167 S *	1/2004	Chan	D1/116
D517,421 S *	3/2006	Terrasi	D1/102
D527,520 S *	9/2006	Green	D3/271.1

(Continued)

OTHER PUBLICATIONS

Deidreamers 925 Sterling Silver Ice Cream Cone Pendant Necklace, available Mar. 1, 2017, [online], [site visited Nov. 7, 2020]. Available from internet, URL: <https://www.amazon.com/Sterling-Silver-CREAM-Pendant-Necklace/dp/B06XCSJKPC> (Year: 2017).*

(Continued)

Primary Examiner — W. A. Teddy Falloway

(57) **CLAIM**

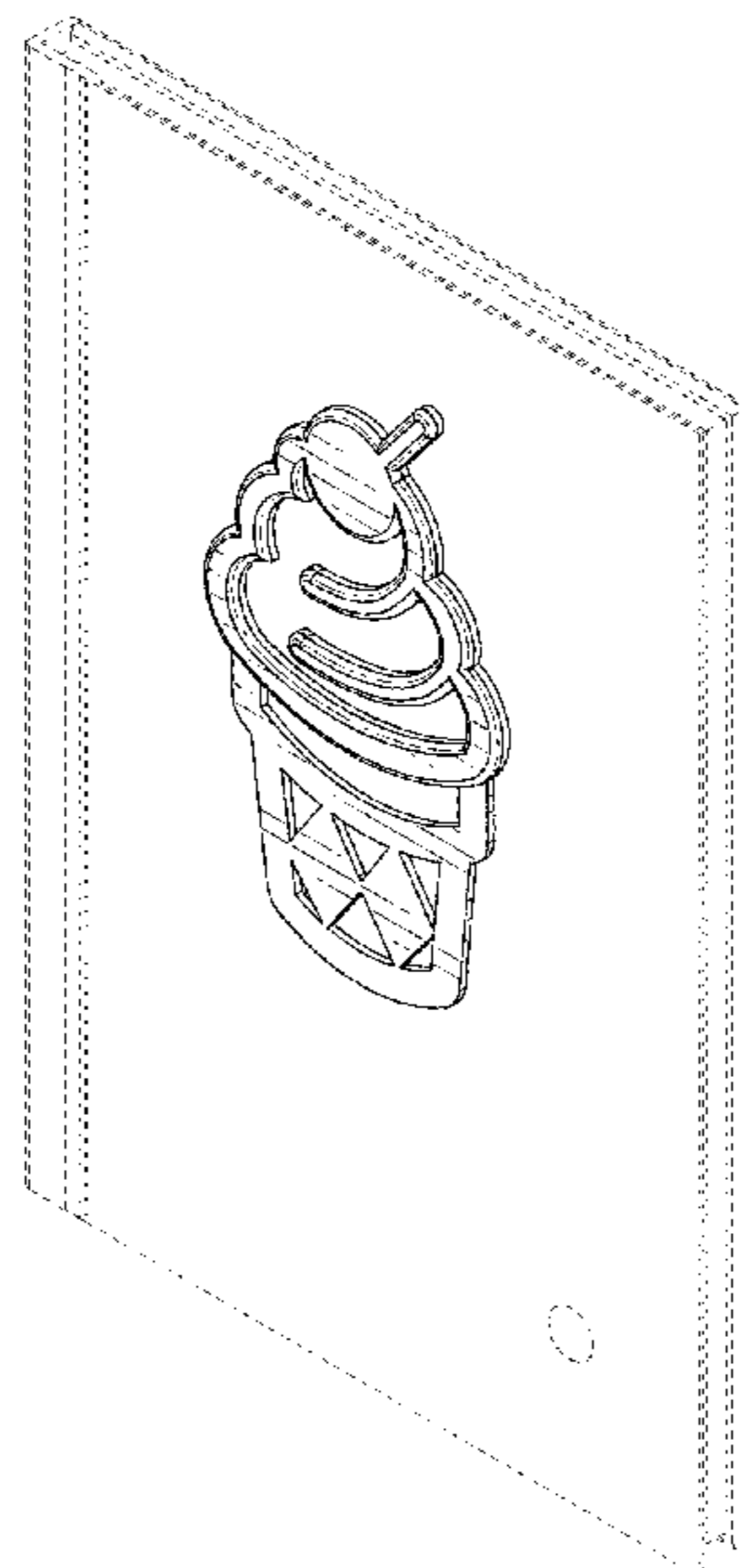
The ornamental design for an illuminated ice cream cone ornament, as shown and described.

DESCRIPTION

FIG. 1 is a top-front-left perspective view of an illuminated ice cream cone ornament showing my new design; FIG. 2 is a bottom-rear-right perspective view thereof; FIG. 3 is a front elevational view thereof; FIG. 4 is a left-side elevational view thereof; FIG. 5 is a detail view of area 5 of FIG. 4; FIG. 6 is a front elevational view of the present invention having an illuminated first region showing the new design, wherein a second region is not illuminated; and, FIG. 7 is a front elevational view thereof showing the illuminated second region, wherein the first region is not illuminated.

The dashed line showing an exemplary notebook and raised button in FIG. 1 through 7 is included for the purpose of illustrating environmental structure and forms no part of the claimed design. Further, the broken lines radiating from the cup rim in FIGS. 6 and 7 indicate illumination only and form no part of the claimed design. The dark shading in FIGS. 6 and 7 compared to the same region shown unshaded in FIGS. 1 through 5 indicates a contrast in appearance between unlit and lit regions, and does not depict any particular color, texture, or material.

1 Claim, 7 Drawing Sheets



(56)

References Cited

U.S. PATENT DOCUMENTS

D540,212 S * 4/2007 Becker D11/44
D633,007 S * 2/2011 Evans D12/83
D653,172 S * 1/2012 Evans D12/83
8,205,365 B2 * 6/2012 Taylor G09F 1/00
40/124.03
D674,252 S * 1/2013 Fu D7/681
D695,487 S * 12/2013 Cline D1/101
D704,516 S * 5/2014 Suess D7/681
D714,357 S * 9/2014 Szymanski D15/82
D714,358 S * 9/2014 Szymanski D15/82
D782,359 S * 3/2017 Dick D11/101
D791,008 S * 7/2017 Dick D11/83
D823,693 S * 7/2018 Sahatjian D9/643
D824,565 S * 7/2018 Tsai D26/73
D846,425 S * 4/2019 Lopez Montoya D11/81
D873,942 S * 1/2020 Hsu D21/808
D874,598 S * 2/2020 Hsu D21/808
D895,028 S * 9/2020 Bruneel D21/627

OTHER PUBLICATIONS

Polished 925 Sterling Silver Ice Cream Cone Charm, available Jun. 30, 2016, [online], [site visited Nov. 7, 2020]. Available from internet, URL: https://www.amazon.com/dp/B01HSOBNEC/ref=sspa_dk_detail_2?psc=1&pd_rd_i=B01HSOBNEC&pd_rd_w=DvzjB&pf_rd_p=7d37a48b-2b1a-4373-8c1a- (Year: 2016).*

* cited by examiner

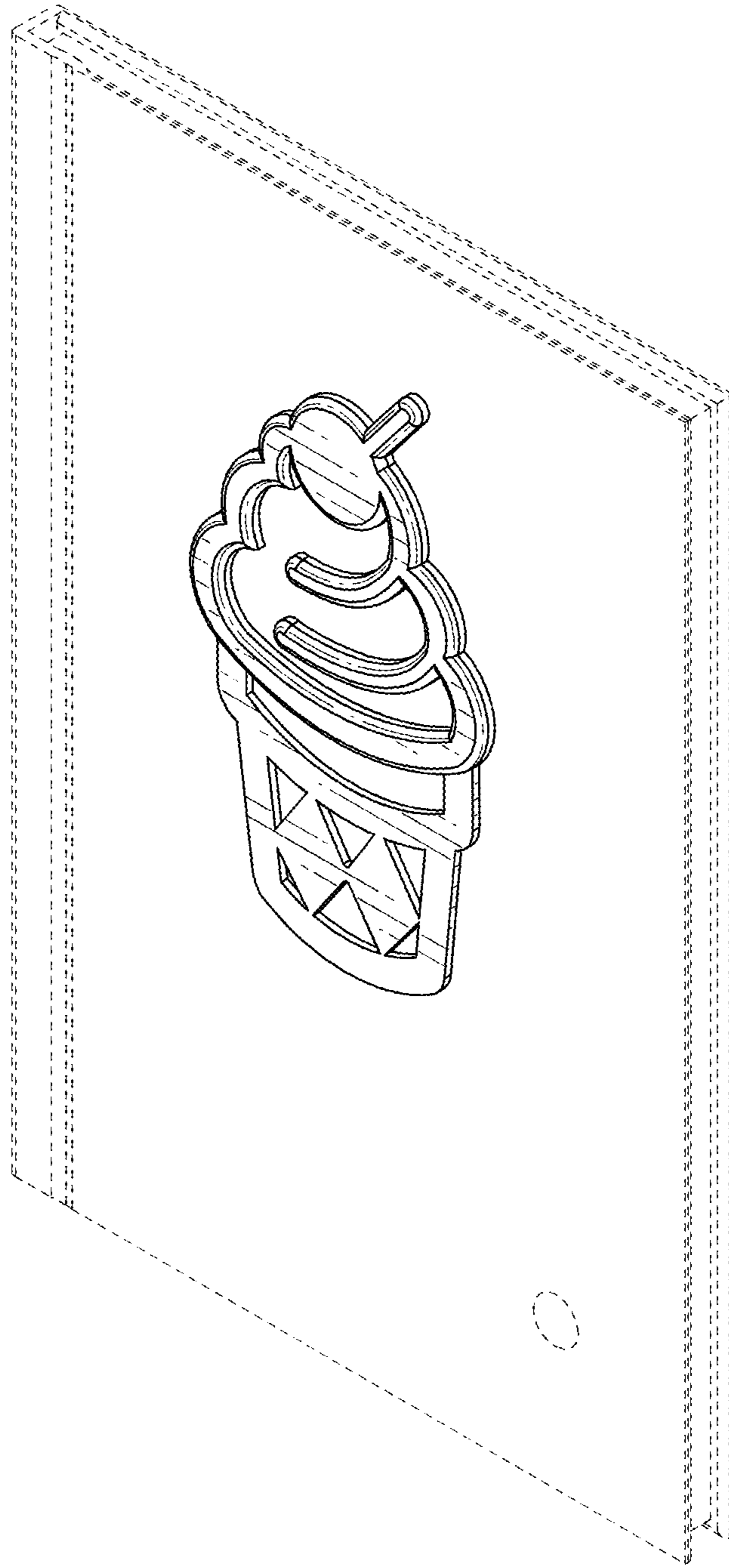


FIG. 1

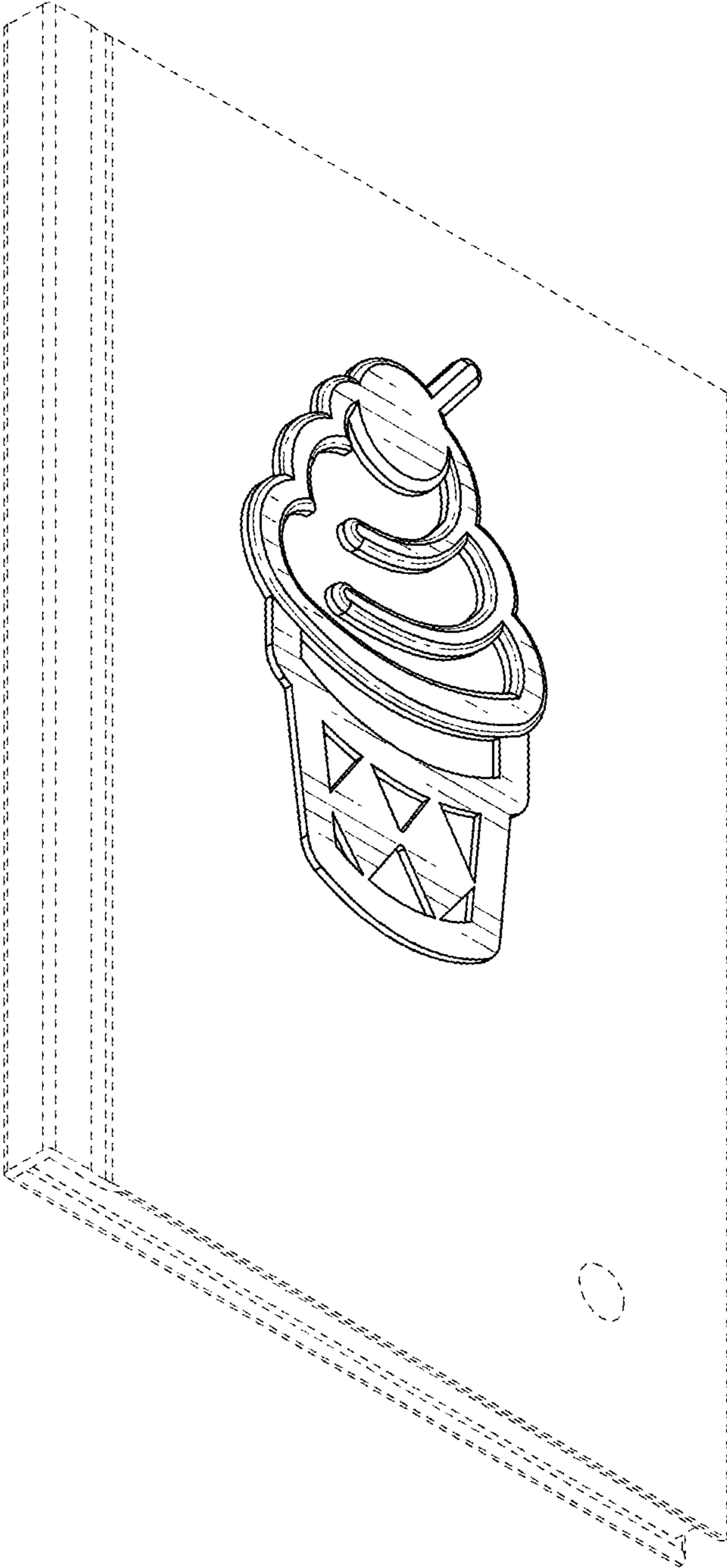


FIG. 2

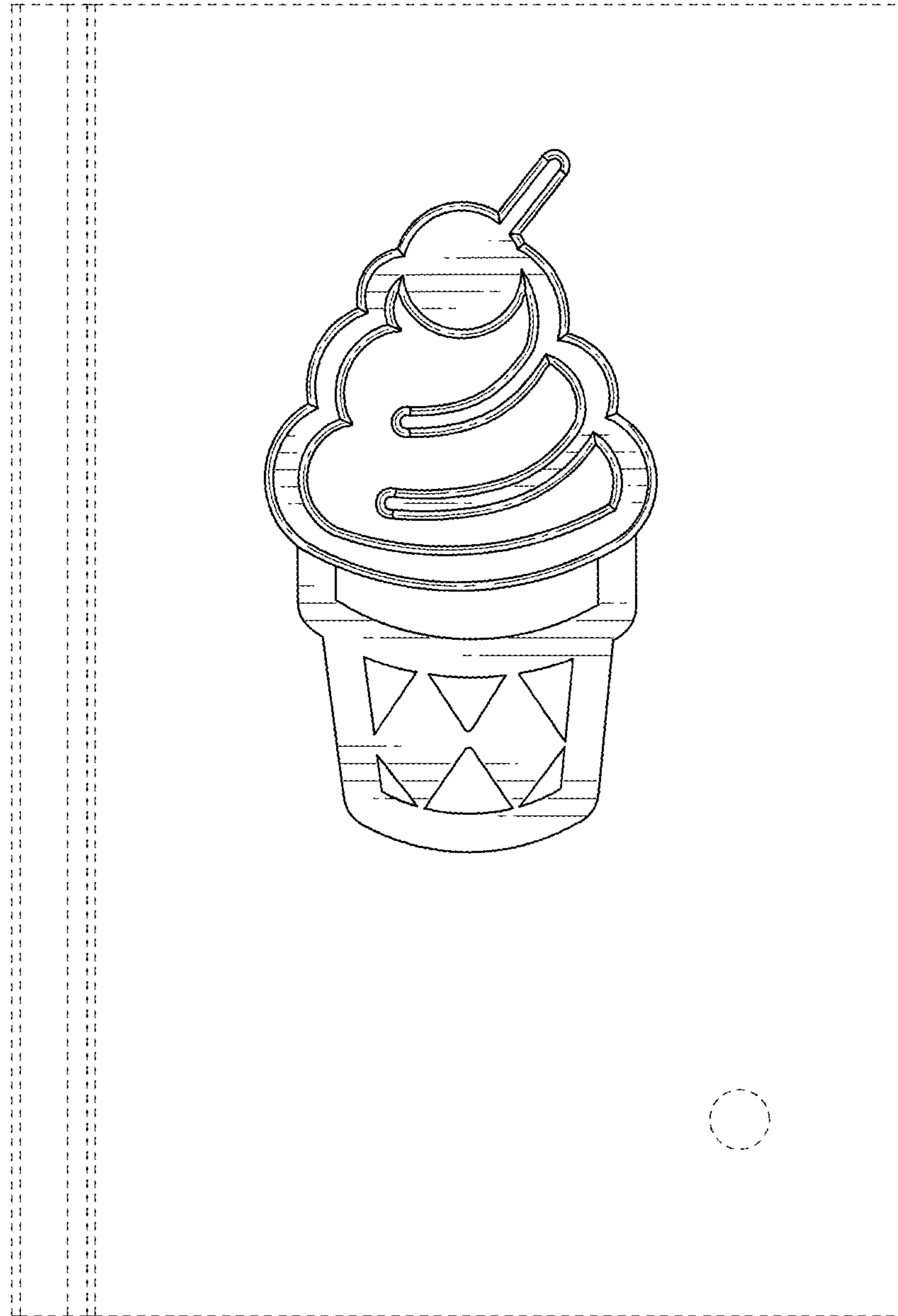


FIG. 3

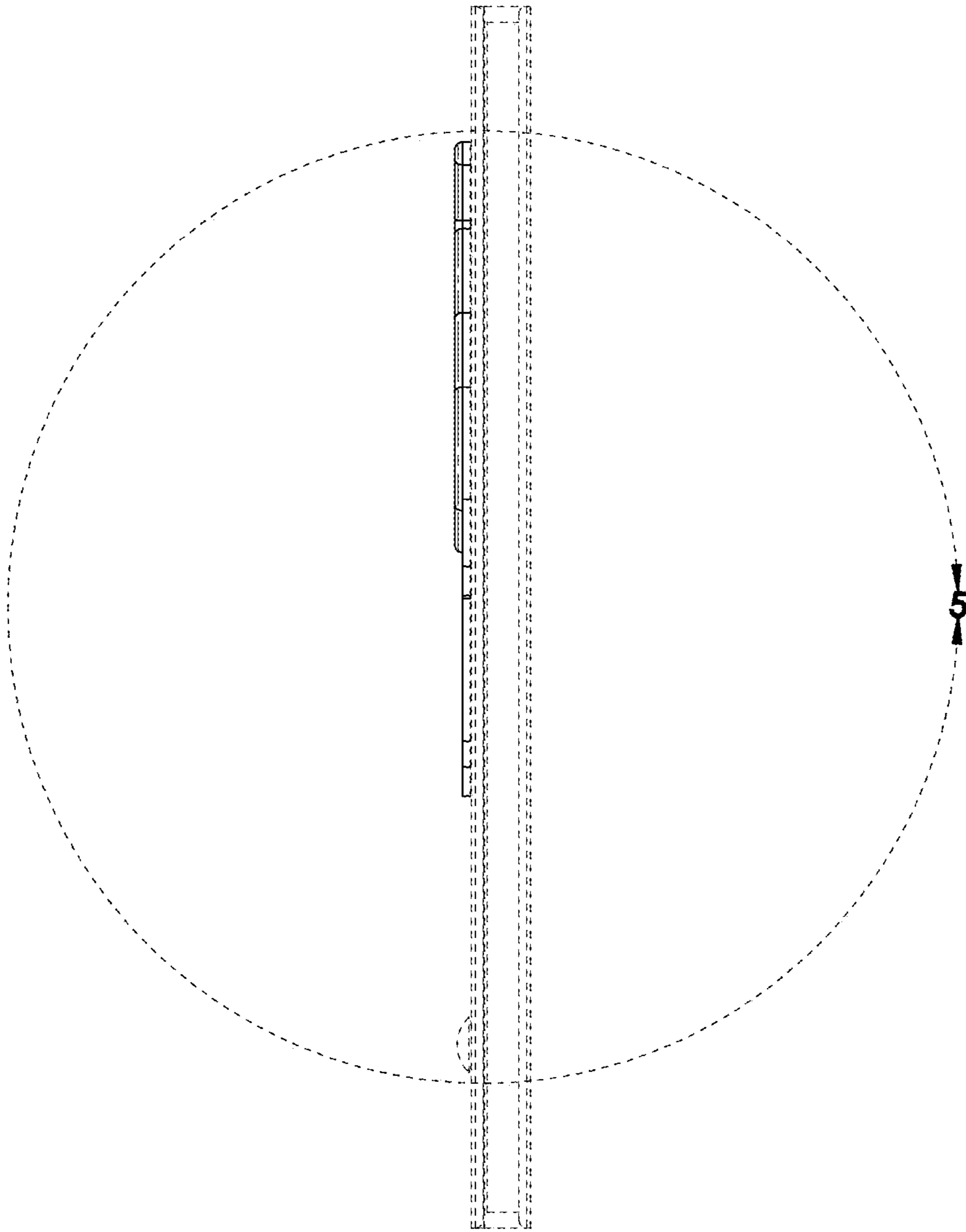


FIG. 4

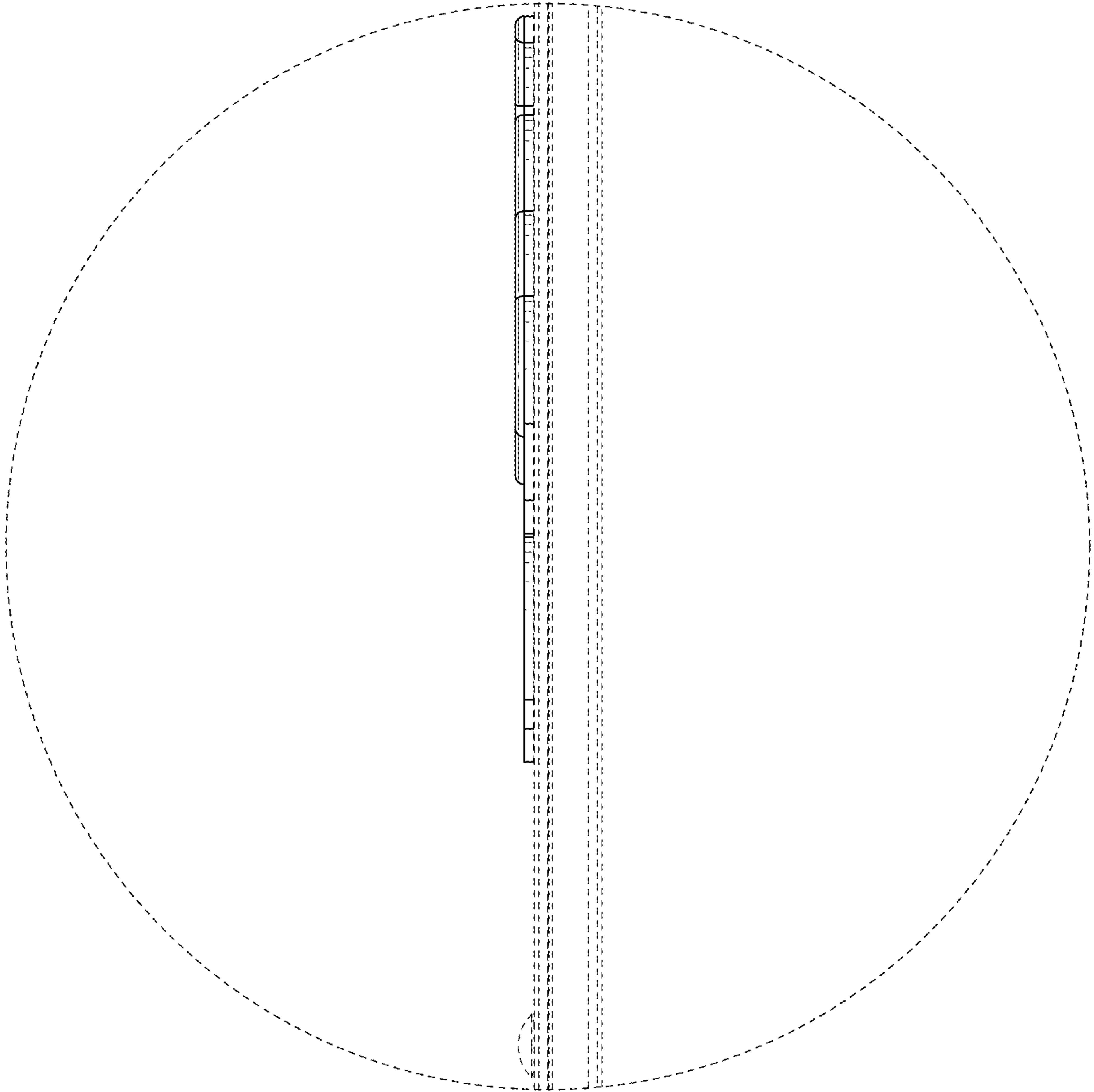


FIG. 5

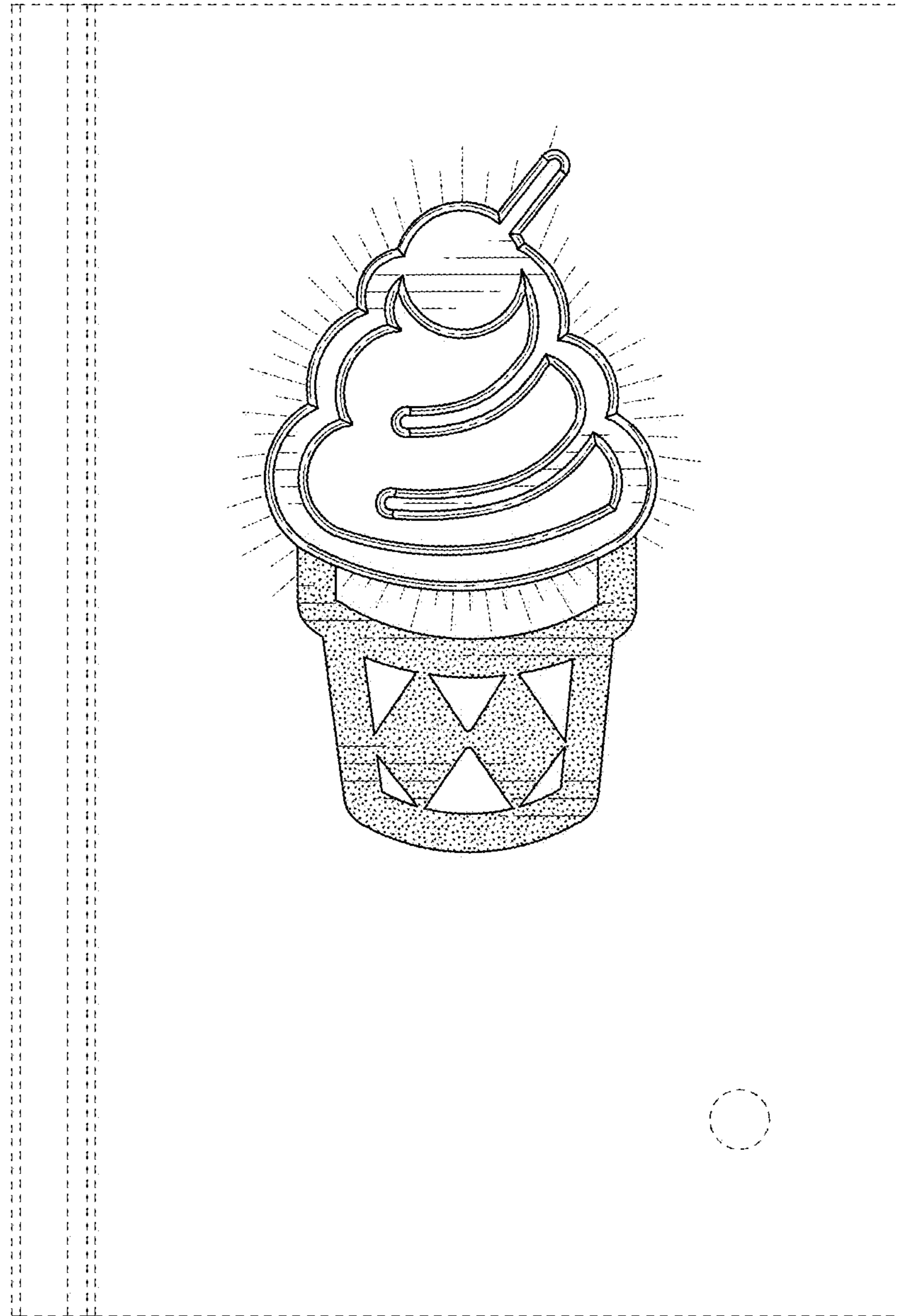


FIG. 6

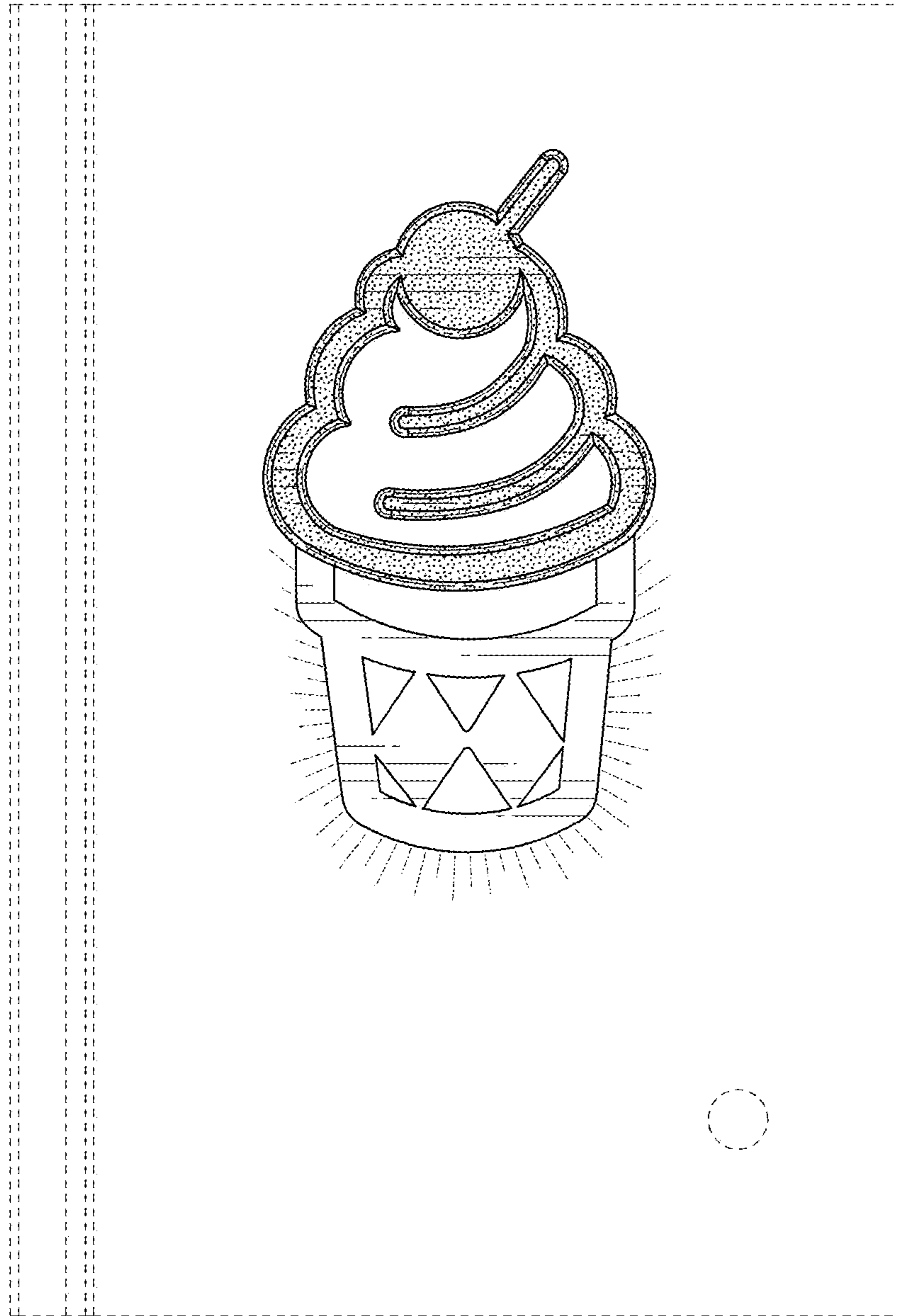


FIG. 7