



US00D913147S

(12) **United States Design Patent** (10) **Patent No.:** **US D913,147 S**
Chui (45) **Date of Patent:** **** Mar. 16, 2021**

(54) **ILLUMINATED PINEAPPLE ORNAMENT**

(71) Applicant: **Chiu Wai Chui**, Hong Kong (CN)

(72) Inventor: **Chiu Wai Chui**, Hong Kong (CN)

(**) Term: **15 Years**

(21) Appl. No.: **29/716,544**

(22) Filed: **Dec. 10, 2019**

(51) **LOC (13) Cl.** **11-02**

(52) **U.S. Cl.**
USPC **D11/133; D11/157; D26/73**

(58) **Field of Classification Search**

USPC D11/204, 223, 225, 232, 238, 241, 44,
D11/48, 63, 67, 81, 84, 99, 115, 131,
D11/133, 139, 157, 184; D26/57, 72-74;
D20/23, 26, 29; D6/303, 306; D1/106,
D1/116; D5/20, 36
CPC G09F 1/08
See application file for complete search history.

(56) **References Cited**

U.S. PATENT DOCUMENTS

D180,233	S	*	5/1957	Incera	D9/645
4,419,396	A	*	12/1983	Sugimoto	A44C 15/0005 239/36
D350,709	S	*	9/1994	Perrille	D11/132
D356,374	S	*	3/1995	El-Assir	D11/67
D362,122	S	*	9/1995	Kong	D6/300
D362,495	S	*	9/1995	El-Assir	D11/67
D378,863	S	*	4/1997	Wang	D23/411
D438,815	S	*	3/2001	Shin	D11/118
D447,265	S	*	8/2001	Orozco	D26/73
D453,972	S	*	2/2002	Phillips	D26/73
D533,804	S	*	12/2006	Anastasiadis	D11/84
D540,212	S	*	4/2007	Becker	D11/44
D540,974	S	*	4/2007	Bucher	D26/74

(Continued)

OTHER PUBLICATIONS

SKQIR Pineapple Earrings, available Aug. 18, 2017, [online], [site visited Nov. 7, 2020]. Available from internet, URL: https://www.amazon.com/Pineapple-Minimalist-Decoration-Stainless-Earring-Gold/dp/B07VFRBRM6/ref=pd_sbs_197_2/145-0389614- (Year: 2017).*

(Continued)

Primary Examiner — W. A. Teddy Falloway

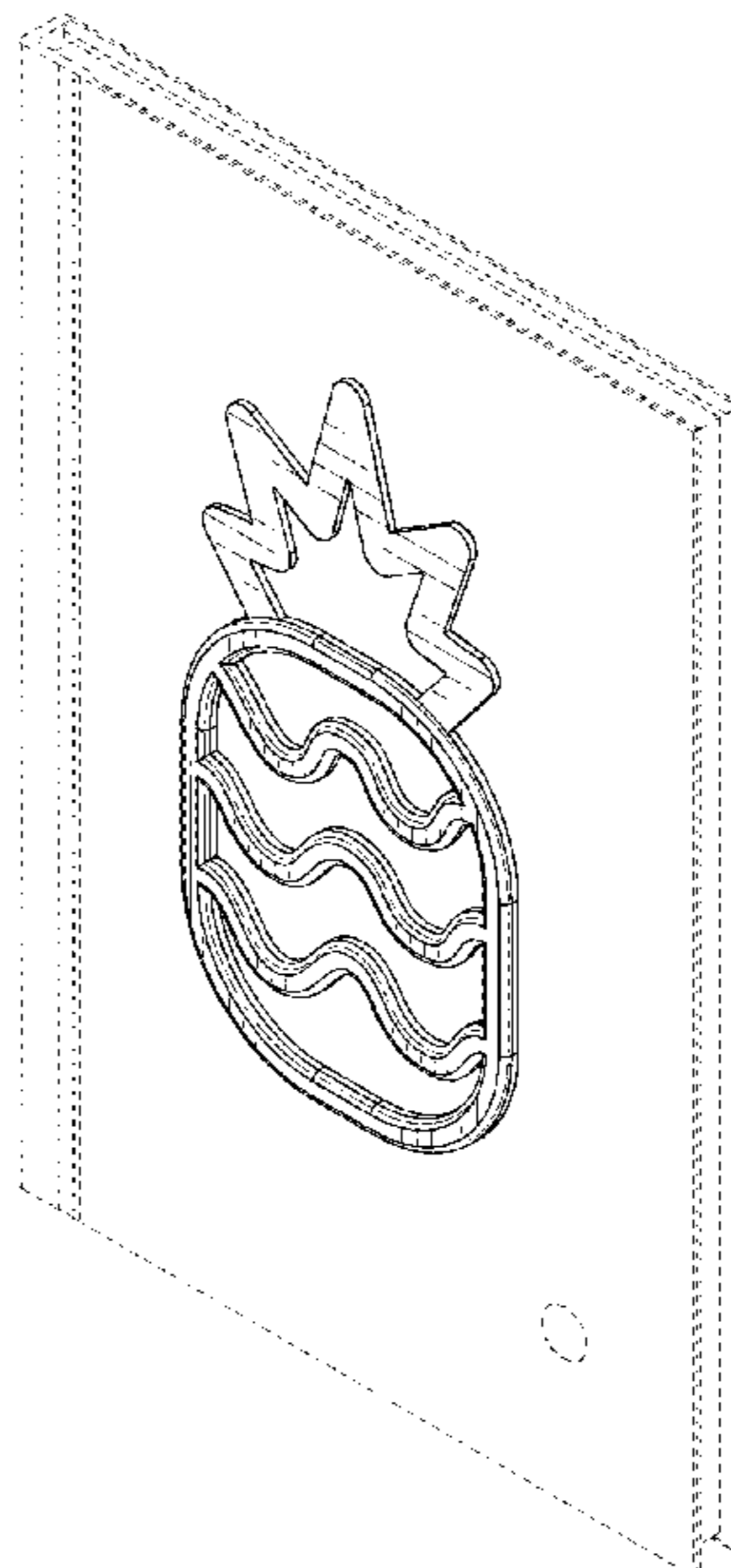
(57) **CLAIM**

The ornamental design for an illuminated pineapple ornament, as shown and described.

DESCRIPTION

FIG. 1 is a top-front-left perspective view of an illuminated pineapple ornament showing my new design; FIG. 2 is a bottom-rear-right perspective view thereof; FIG. 3 is a front elevational view thereof; FIG. 4 is a left-side elevational view thereof; FIG. 5 is a detail view of area 5 of FIG. 4; FIG. 6 is a front elevational view of the present invention having an illuminated first region showing the new design, wherein a second region is not illuminated; and, FIG. 7 is a front elevational view thereof showing the illuminated second region, wherein the first region is not illuminated; The dashed line showing an exemplary notebook and raised button in FIG. 1 through 7 is included for the purpose of illustrating environmental structure and forms no part of the claimed design. Further, the broken lines radiating from the cup rim in FIGS. 6 and 7 indicate illumination only and form no part of the claimed design. The dark shading in FIGS. 6 and 7 compared to the same region shown unshaded in FIGS. 1 through 5 indicates a contrast in appearance between unlit and lit regions, and does not depict any particular color, texture, or material.

1 Claim, 7 Drawing Sheets



(56)

References Cited

U.S. PATENT DOCUMENTS

D541,464	S	*	4/2007	Bucher	D26/73
D541,969	S	*	5/2007	Bucher	D26/67
D620,172	S	*	7/2010	Orozco	D26/73
D677,582	S	*	3/2013	Murray	D9/709
D725,444	S	*	3/2015	Cline	D7/676
D726,828	S	*	4/2015	Spencer	D20/11
D782,359	S	*	3/2017	Dick	D11/101
D791,008	S	*	7/2017	Dick	D11/83
D803,339	S	*	11/2017	Wampold	D21/803
D809,211	S	*	1/2018	Watson	D30/102
D824,565	S	*	7/2018	Tsai	D26/73
D829,986	S	*	10/2018	McKinney	D28/8.2
D832,093	S	*	10/2018	Ksiazek	D8/395
D845,495	S	*	4/2019	Hayes	D24/195
D855,694	S	*	8/2019	Zingre	D19/2
D869,891	S	*	12/2019	Follett	D7/301
D873,362	S	*	1/2020	Hsu	D21/808
D896,910	S	*	9/2020	Bruneel	D21/808

OTHER PUBLICATIONS

Rosa Vila Pineapple Necklace, available Nov. 22, 2015, [online], [site visited Nov. 7, 2020]. Available from internet, URL: <https://www.amazon.com/Rosa-Vila-Pineapple-Symbolizes-Friendship/dp/B07TKCDC45> (Year: 2015).*

* cited by examiner

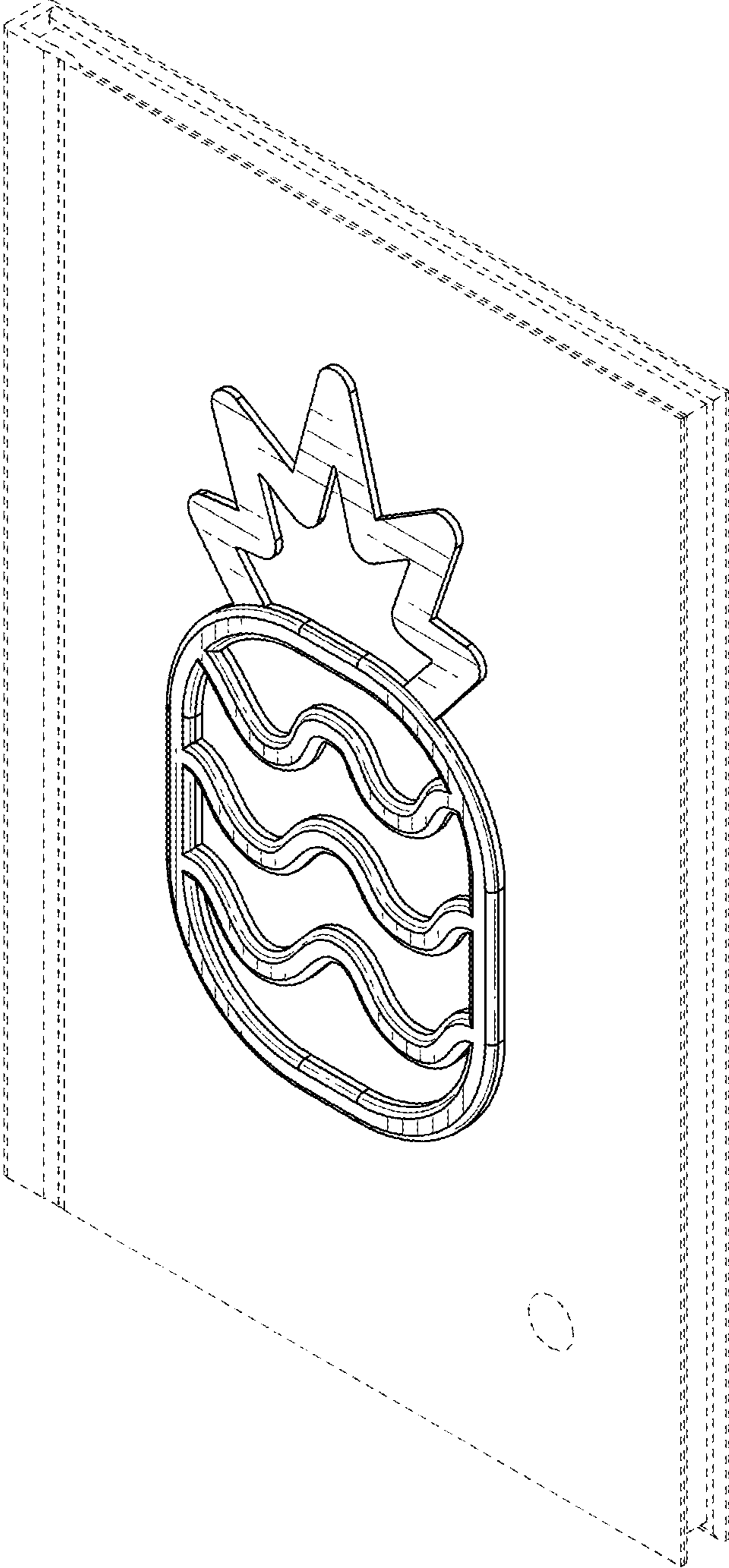


FIG. 1

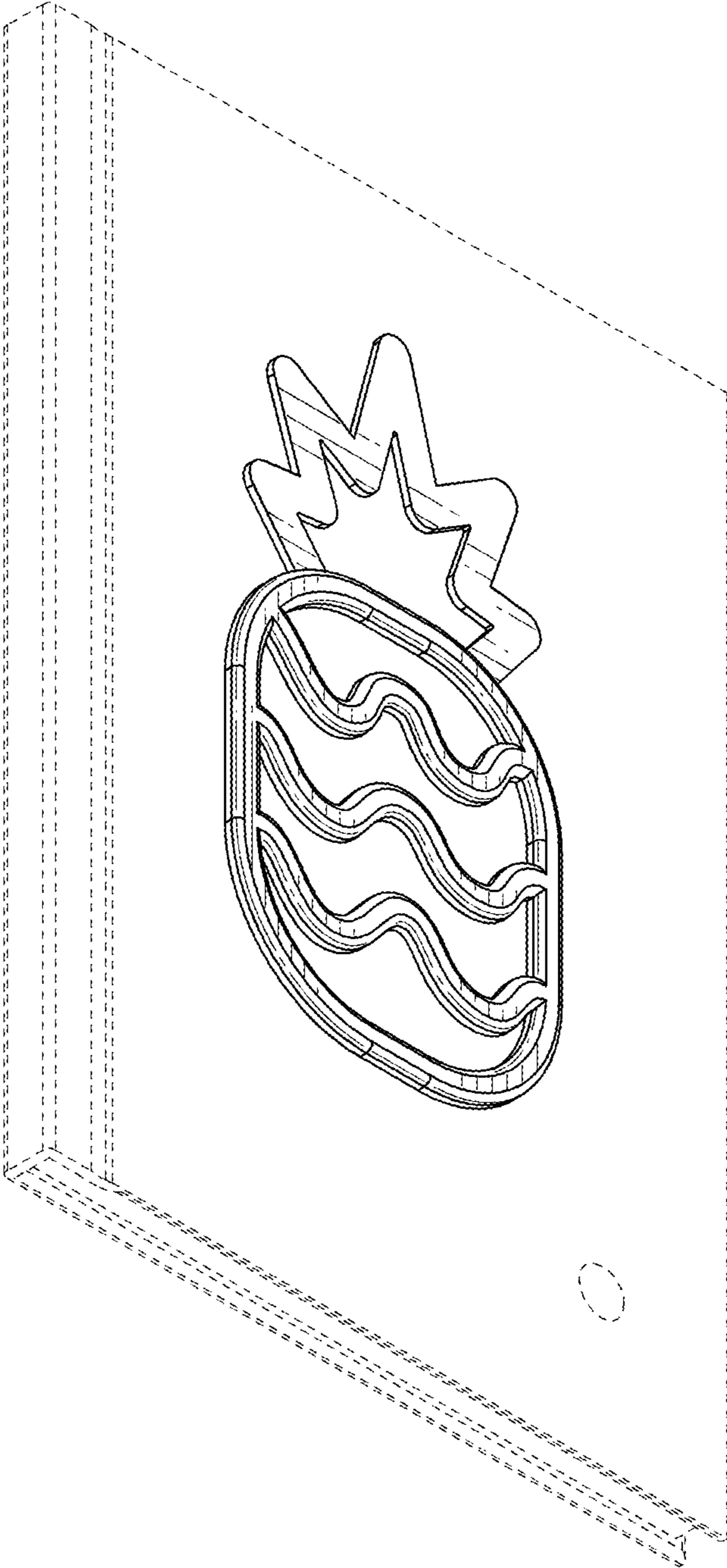


FIG. 2

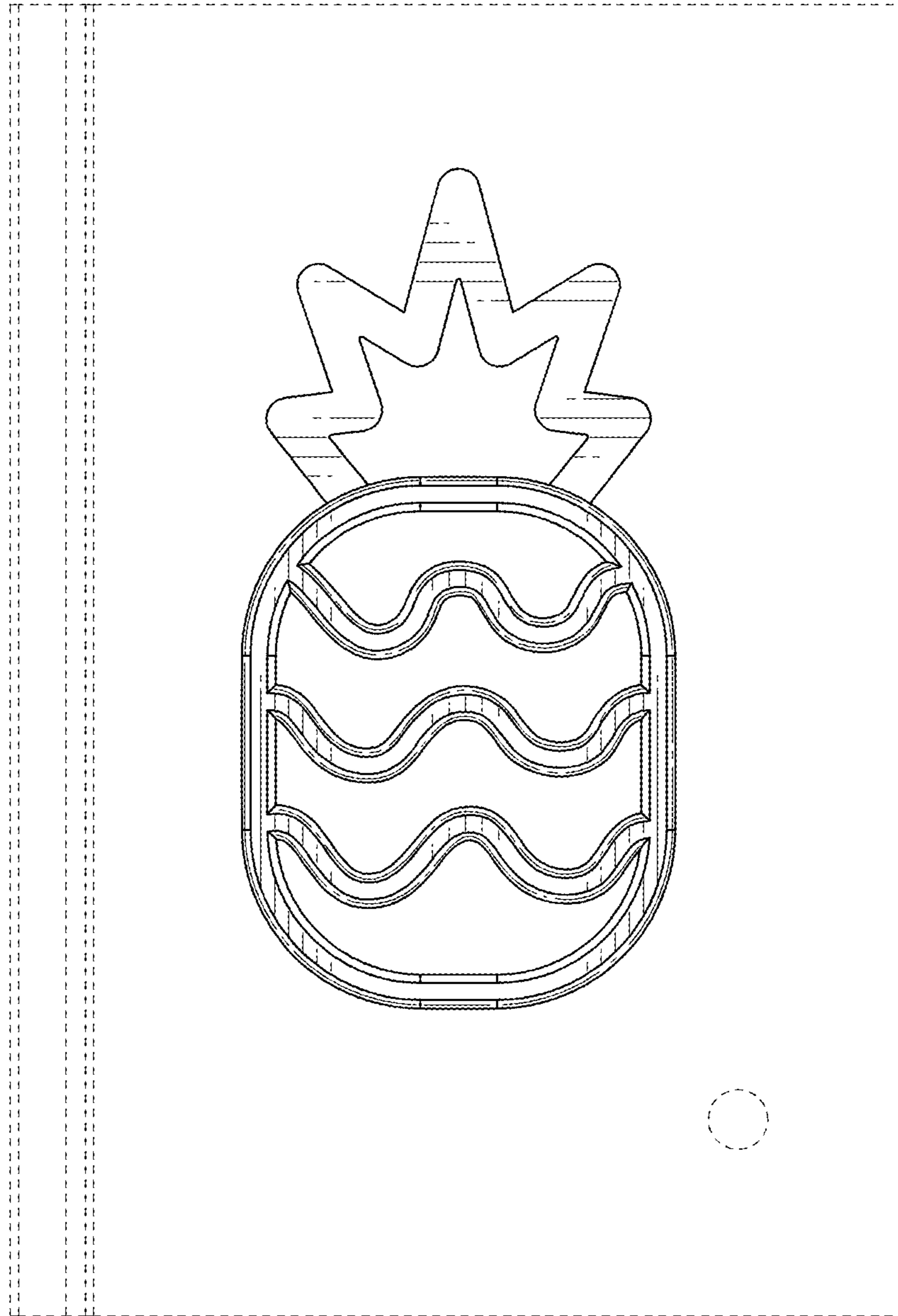


FIG. 3

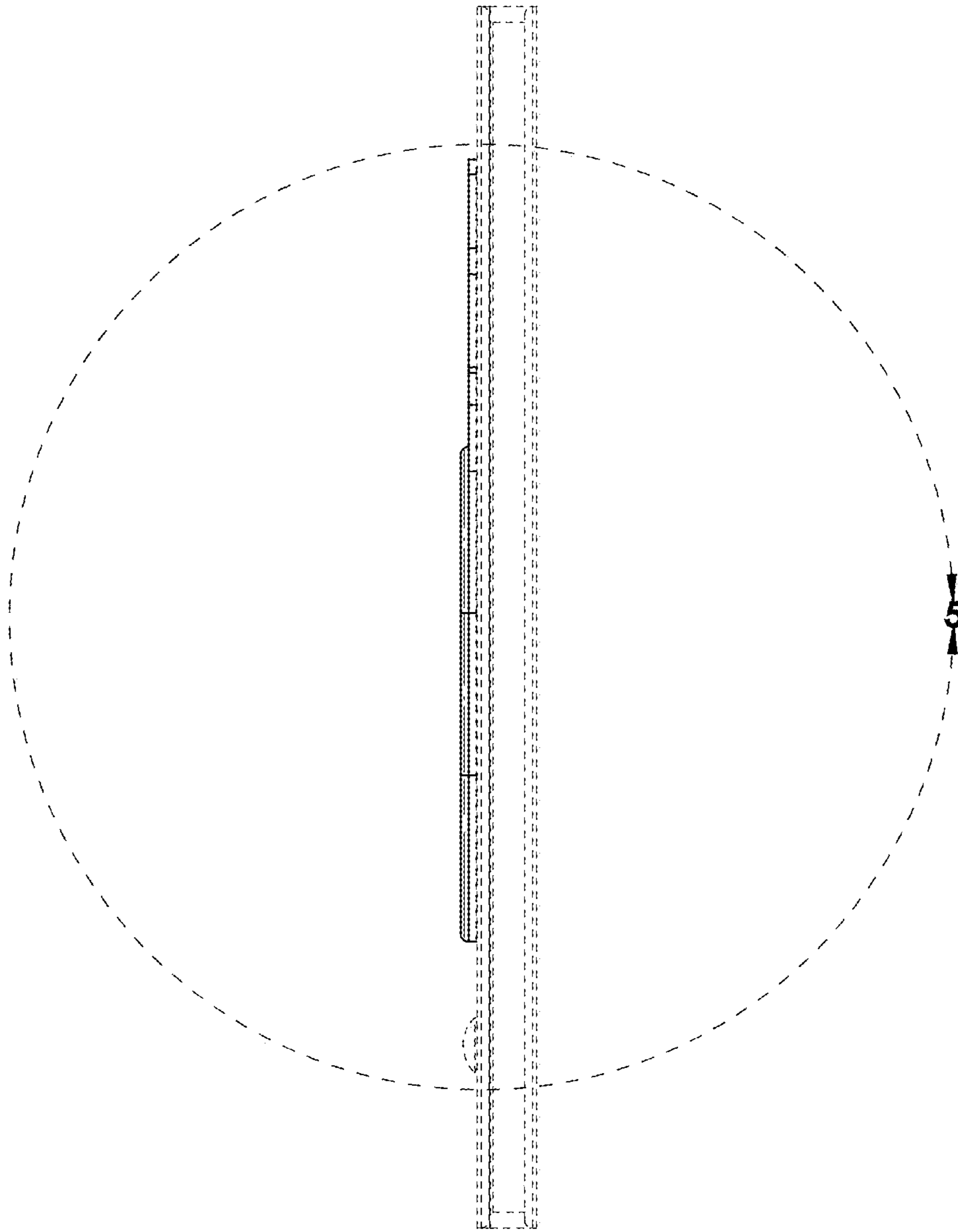


FIG. 4

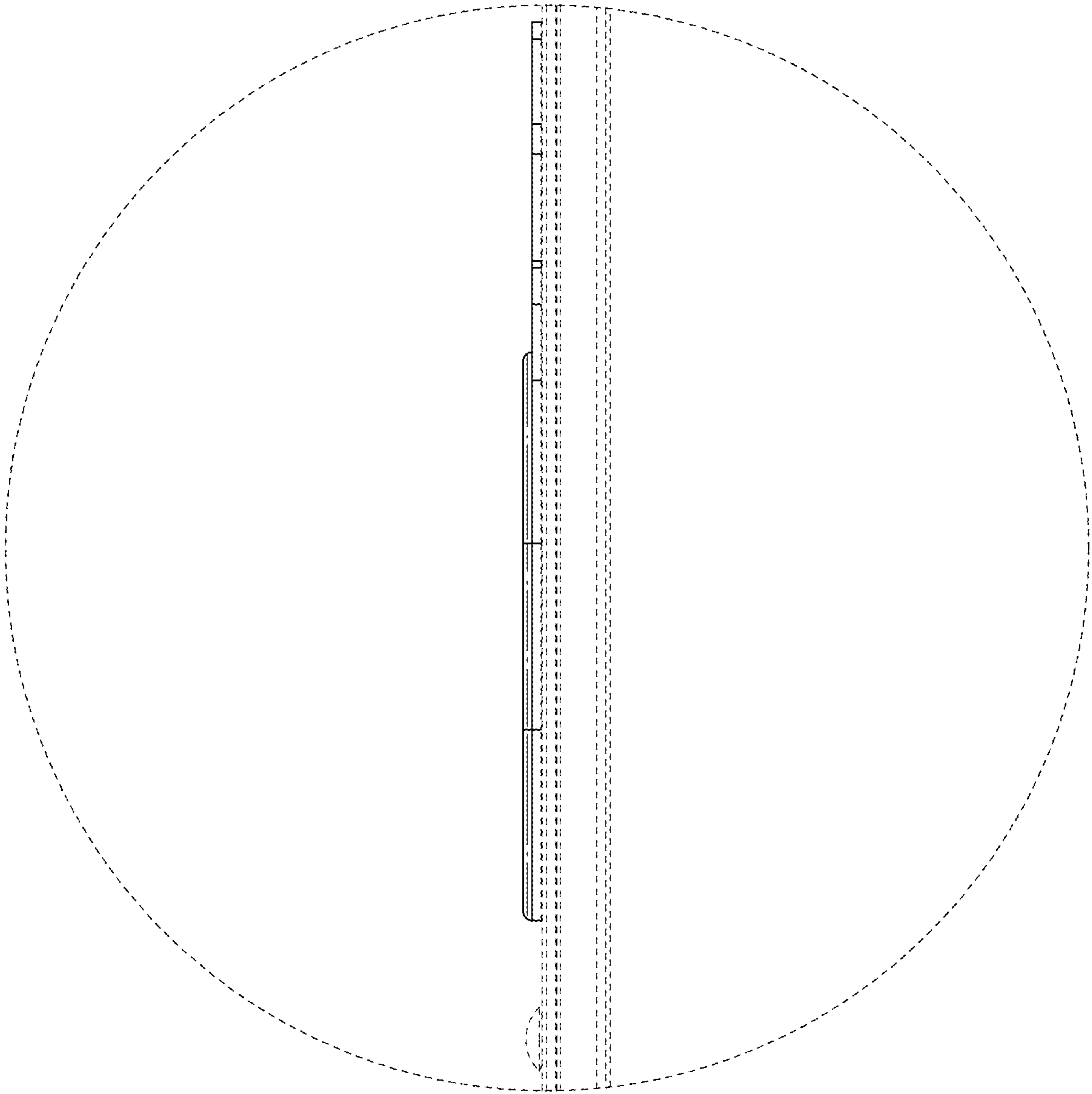


FIG. 5

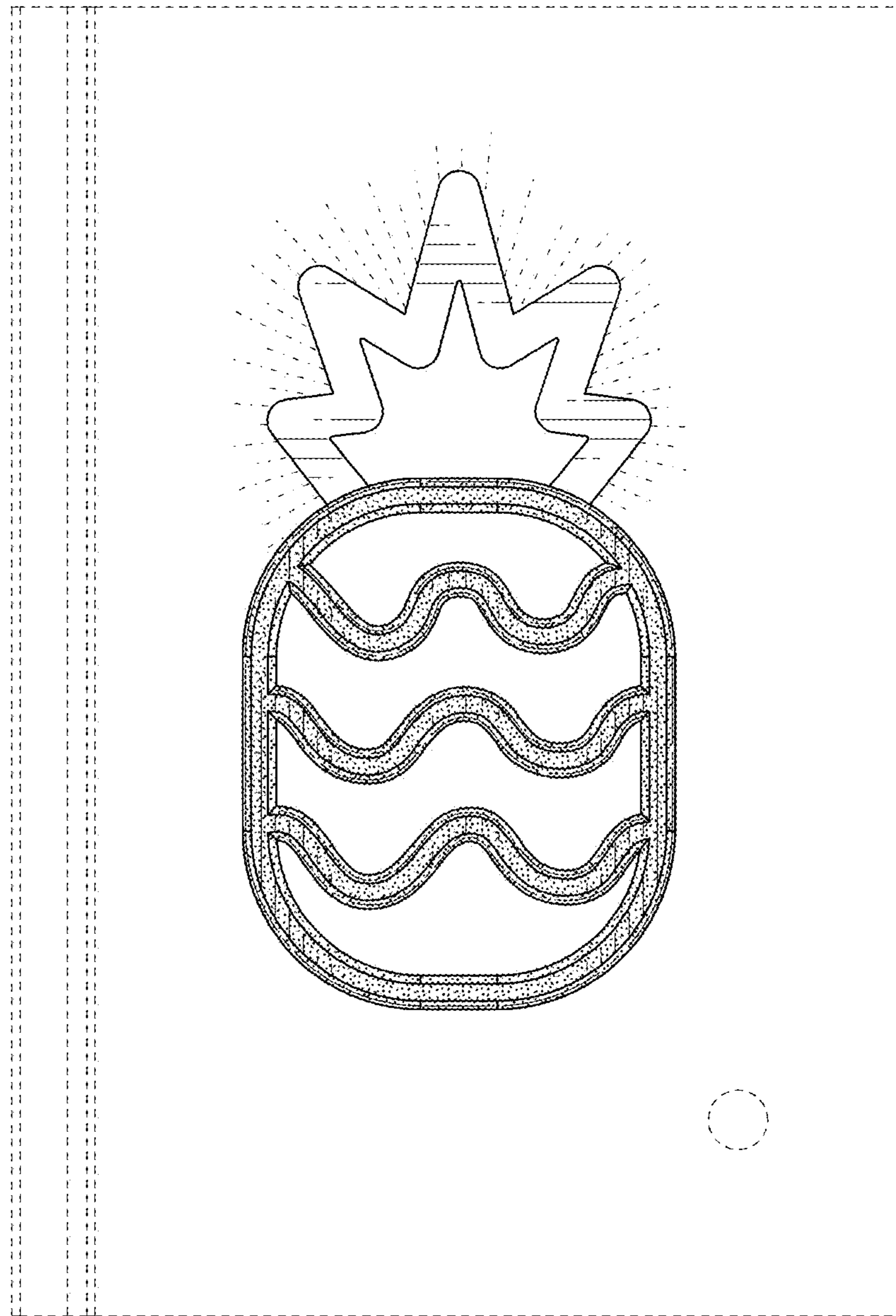


FIG. 6

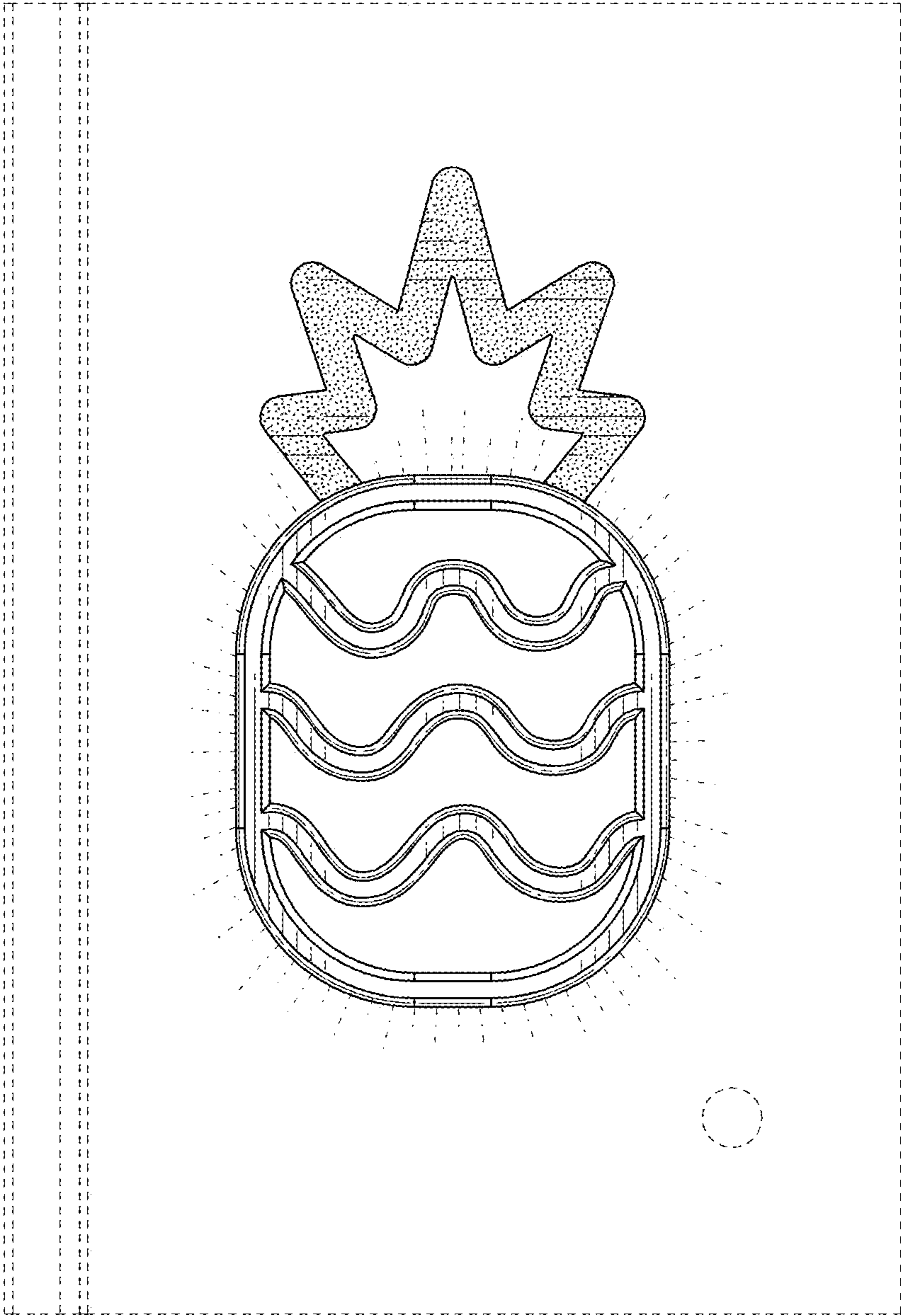


FIG. 7