



US00D913144S

(12) **United States Design Patent**  
**Yamada**

(10) **Patent No.:** **US D913,144 S**  
(45) **Date of Patent:** **\*\* Mar. 16, 2021**

(54) **EARRING**

(71) Applicant: **Tasaki & Co., Ltd.**, Kobe (JP)

(72) Inventor: **Yoshikazu Yamada**, Tokyo (JP)

(73) Assignee: **Tasaki & Co., Ltd.**, Kobe (JP)

(\*\*) Term: **15 Years**

(21) Appl. No.: **29/693,695**

(22) Filed: **Jun. 4, 2019**

(51) **LOC (13) Cl.** ..... **11-01**

(52) **U.S. Cl.**  
USPC ..... **D11/40**

(58) **Field of Classification Search**

USPC .... D11/1, 3, 31, 34, 39, 41, 78.1, 79, 81, 2,  
D11/4, 6, 7, 9, 10, 11, 12, 13, 14, 15, 16,  
D11/17, 18, 20, 26-30, 35-38, 42-49, 57,  
D11/58, 70, 75-78, 82, 85, 86, 89-92, 93,  
D11/99, 108, 40

CPC .. A44C 1/00; A44C 3/00; A44C 3/004; A44C  
7/00; A44C 7/001; A44C 7/002; A44C  
7/004; A44C 7/007; A44C 7/009; A44C  
9/00; A44C 9/0007; A44C 9/0015; A44C  
9/0023; A44C 9/003; A44C 9/0053; A44C  
9/0061; A44C 9/0069; A44C 13/00; A44C  
15/00; A44C 15/0045; A44C 15/005;  
A44C 15/0055; A44C 17/02; A44C  
17/0208; A44C 17/0216; A44C 17/0233;  
A44C 17/0241; A44C 17/025; A44C  
15/0035; A44C 9/02; A44C 7/008; A44C  
7/006; A44C 7/005; A44C 7/003; A44C  
25/001; A44C 25/005; A44C 25/007;  
A44C 25/008; A44C 15/001; A44C  
15/0025; A44C 15/004

See application file for complete search history.

(56) **References Cited**

**U.S. PATENT DOCUMENTS**

430,295 A \* 6/1890 Mathewson ..... A44C 11/002  
63/3  
2,282,336 A \* 5/1942 Meyer ..... A44C 7/00  
63/14.8

D133,839 S \* 9/1942 Meyer ..... D11/75  
D151,763 S \* 11/1948 Katz ..... D11/40  
D176,210 S \* 11/1955 Katz ..... D11/16  
3,247,561 A \* 4/1966 Speranza ..... A44C 5/185  
24/116 A  
D329,399 S \* 9/1992 Bulgari ..... D11/4  
(Continued)

**FOREIGN PATENT DOCUMENTS**

CN 304321304 \* 10/2017

**OTHER PUBLICATIONS**

Tasaki Online Shop Danger, as archived on Jun. 9, 2020, [online],  
[site visited Nov. 3, 2020]. Retrieved from url:https://web.archive.  
org/web/20200609194130/https://www.tasaki-shop.jp/shopdetail/  
000000001261/ (Year: 2020).\*

(Continued)

*Primary Examiner* — Michelle E. Wilson

*Assistant Examiner* — Tracey J Bell

(74) *Attorney, Agent, or Firm* — Fitch, Even, Tabin &  
Flannery LLP

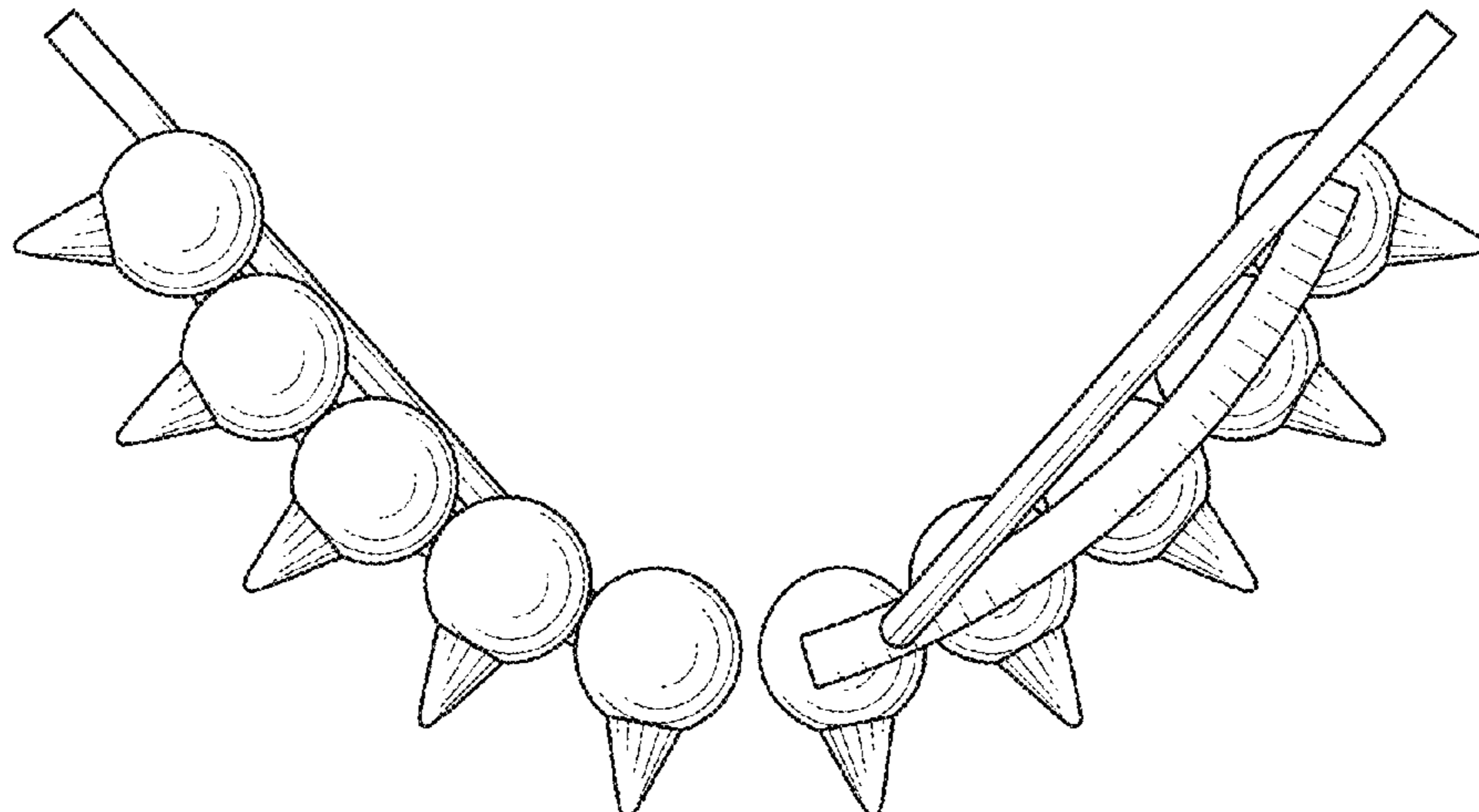
(57) **CLAIM**

I claim the ornamental design for an earring, as shown and  
described.

**DESCRIPTION**

FIG. 1 is a perspective view of an earring, showing my new  
design;  
FIG. 2 is a front elevational view thereof;  
FIG. 3 is a rear elevational view thereof;  
FIG. 4 is a bottom plan view thereof;  
FIG. 5 is a left side elevational view thereof;  
FIG. 6 is a right side elevational view thereof; and,  
FIG. 7 is a top plan view thereof.

**1 Claim, 4 Drawing Sheets**



(56)

**References Cited**

U.S. PATENT DOCUMENTS

D373,095 S \* 8/1996 Bulgari ..... D11/6  
6,578,982 B1 \* 6/2003 Lynch ..... A44C 15/0015  
362/103  
D516,449 S \* 3/2006 Charles ..... D11/4  
D652,336 S \* 1/2012 Molik ..... D11/3  
D729,101 S \* 5/2015 Rafaelian ..... D11/3

OTHER PUBLICATIONS

Tasaki Catch the “danger”, Nov. 28, 2019, [online], [site visited Sep. 24, 2020]. Retrieved from url:<https://wedding.mynavi.jp/ring/premium/brand/21/news/429/> (Year: 2019).\*

\* cited by examiner

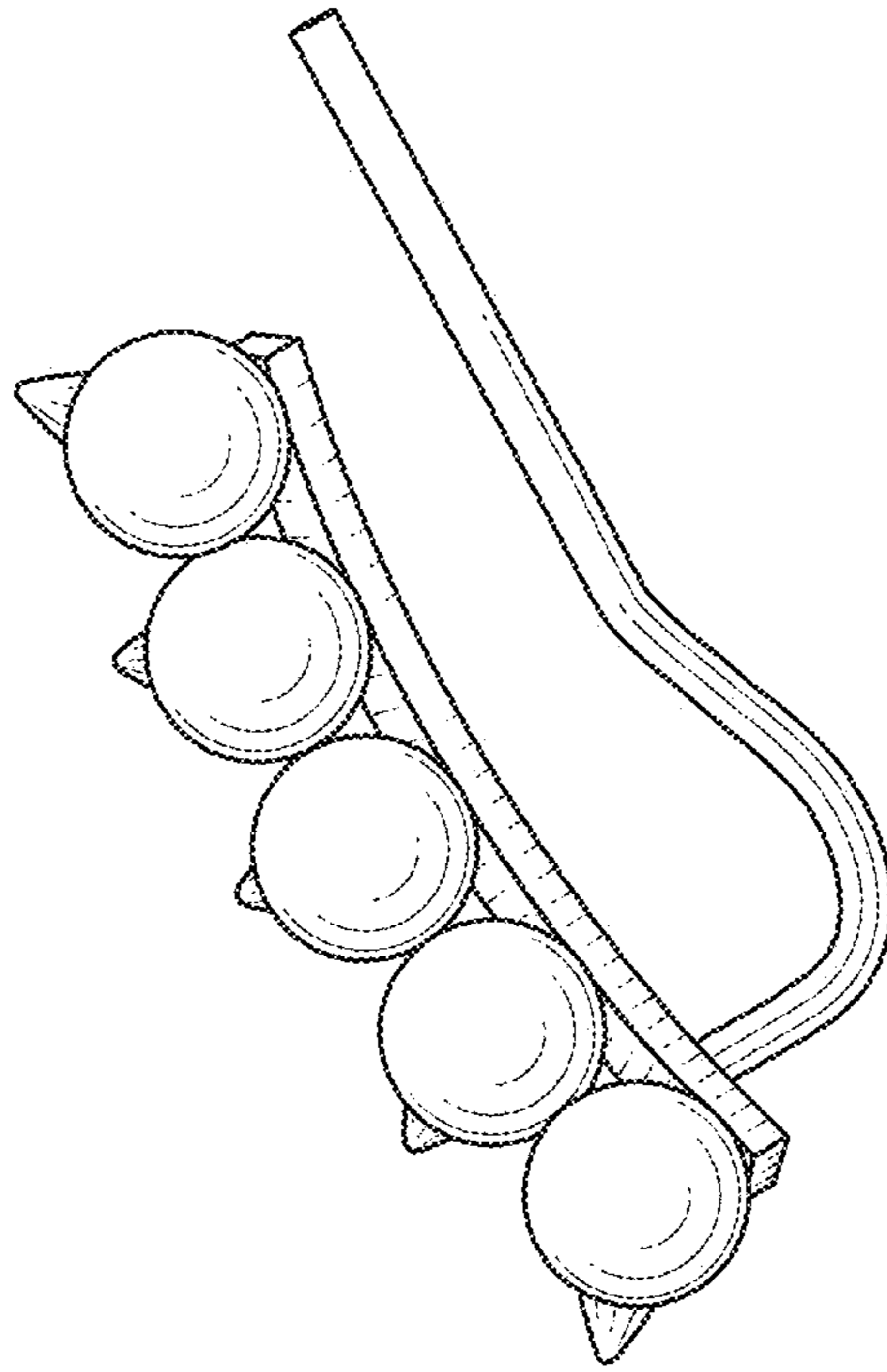


FIG. 1

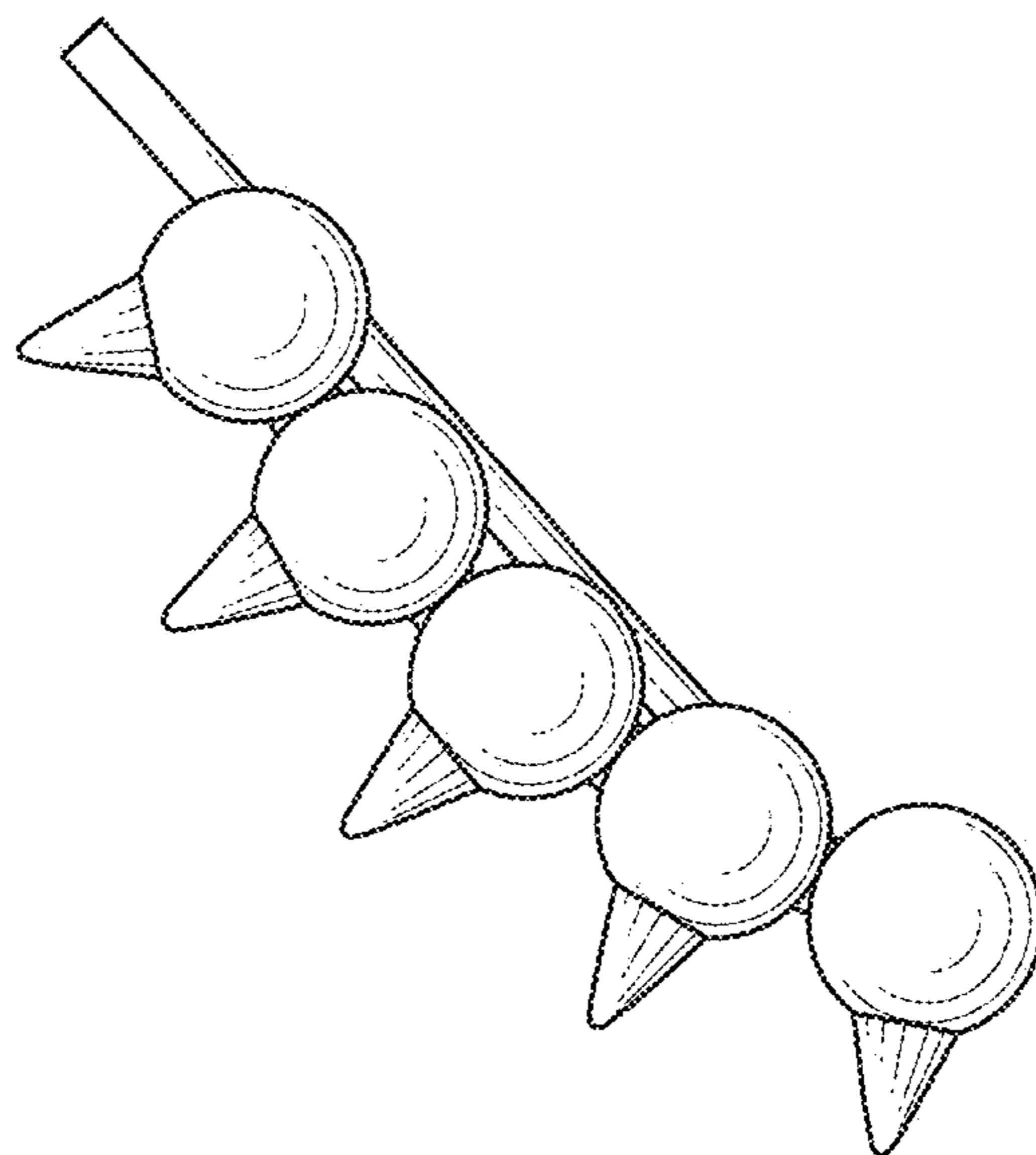


FIG. 2

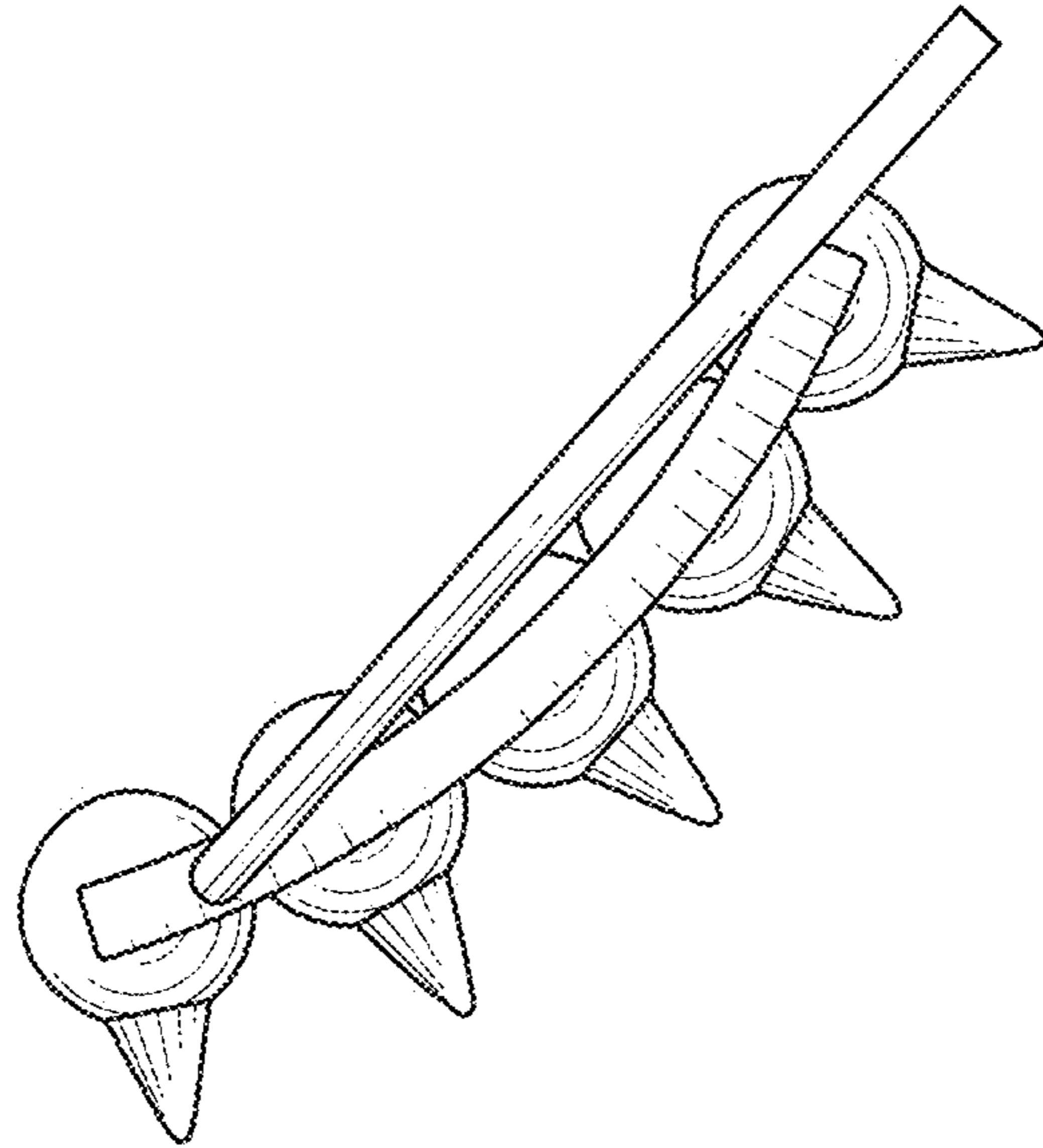


FIG. 3

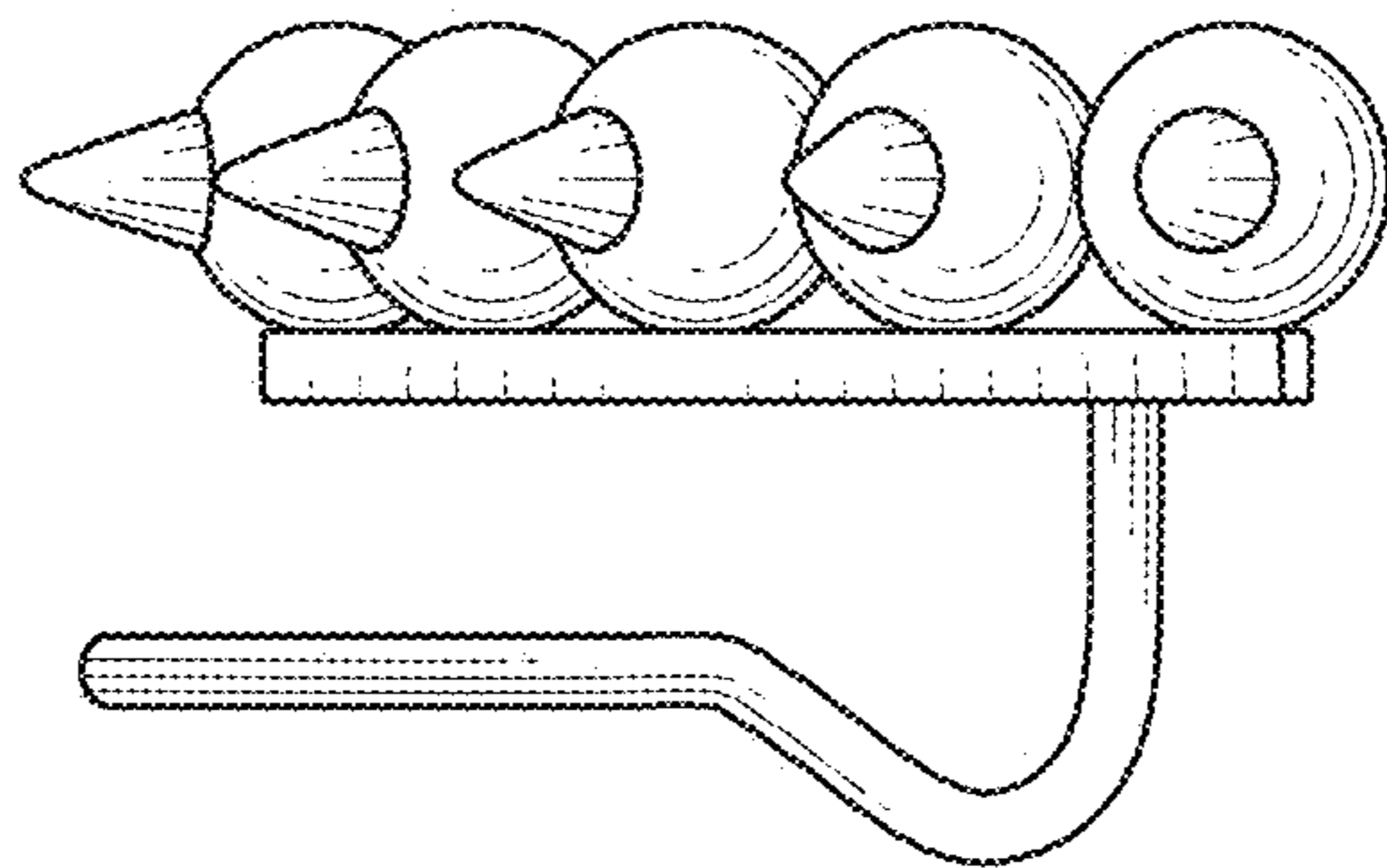


FIG. 4

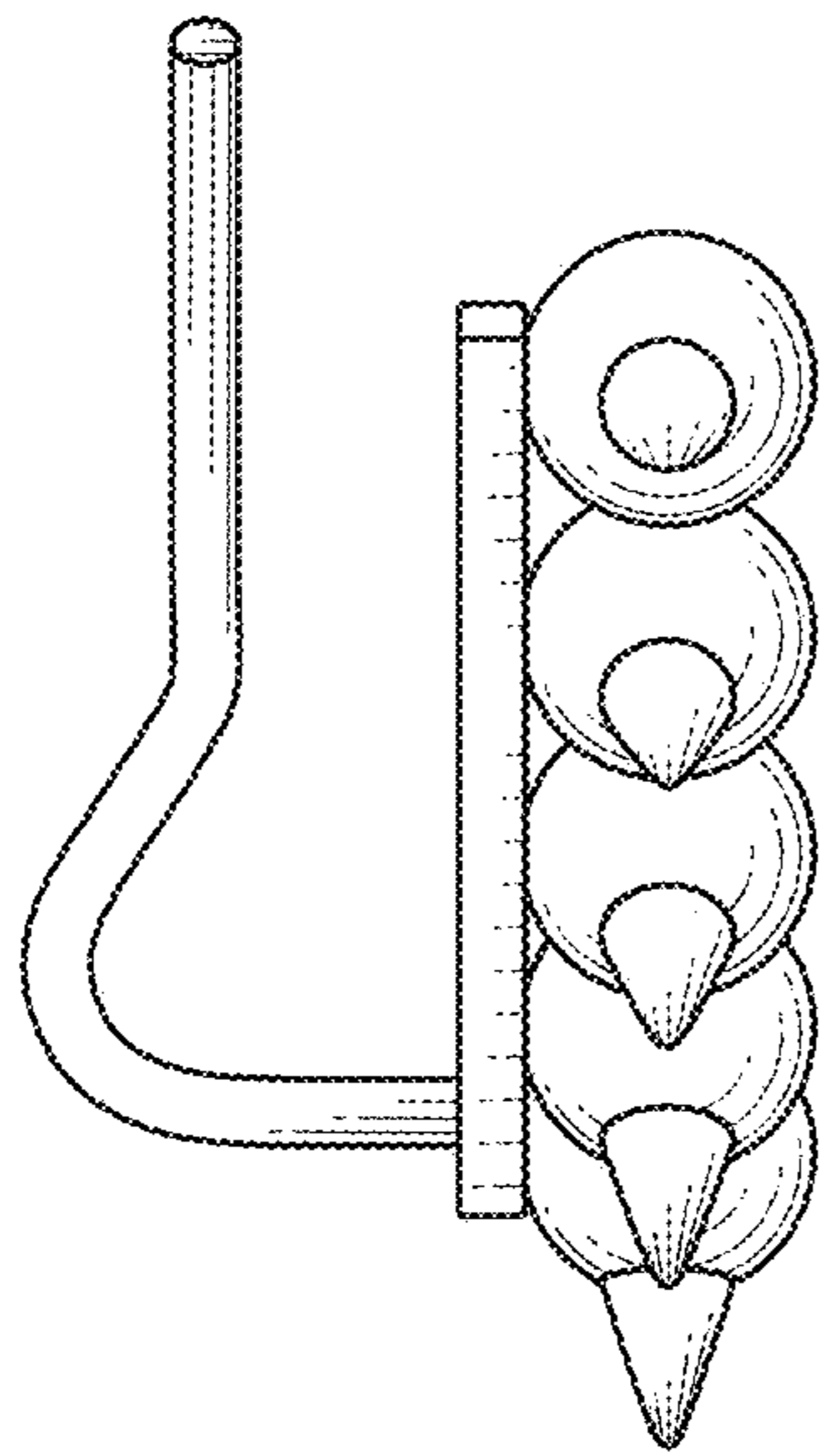


FIG. 5

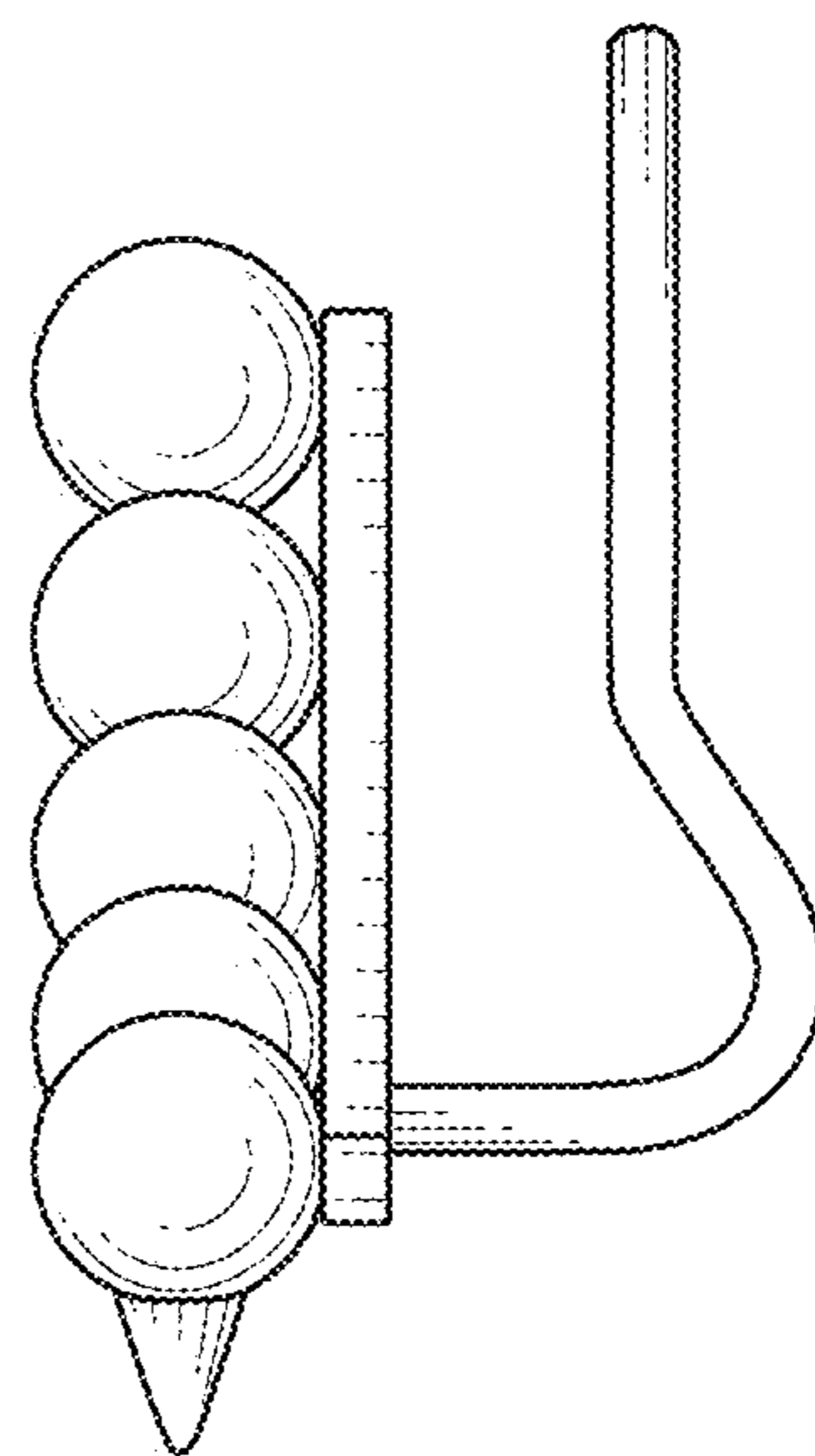


FIG. 6

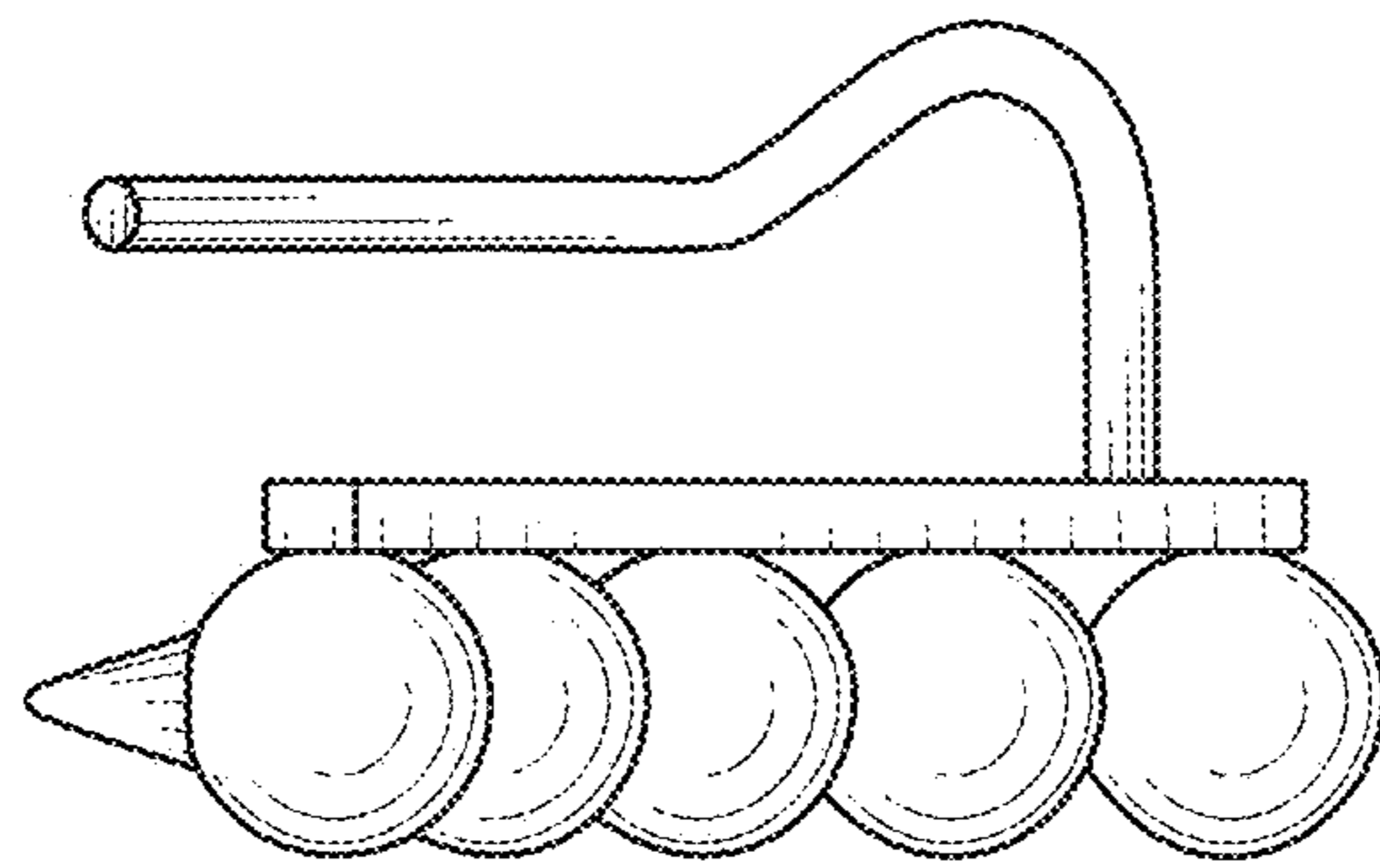


FIG. 7