



US00D913141S

(12) **United States Design Patent** (10) **Patent No.:** **US D913,141 S**
Li (45) **Date of Patent:** **** Mar. 16, 2021**

(54) **WATCH BAND**

(71) Applicant: **China High Itech Corporation Limited, KL (HK)**

(72) Inventor: **Juan Li, Shenzhen (CN)**

(**) Term: **15 Years**

(21) Appl. No.: **29/734,724**

(22) Filed: **May 15, 2020**

(51) **LOC (13) Cl.** **11-01**

(52) **U.S. Cl.**

USPC **D11/3**

(58) **Field of Classification Search**

USPC .. D14/138 R, 144, 341, 344, 358, 388, 218;
D10/30-39, 70, 98; D11/3, 4, 26, 93-94,
D11/78.1, 79, 86; D24/167, 169,
D24/186-187, 164
CPC A41D 1/002; A41D 19/0034; A44C 5/00;
A44C 5/0007; A44C 5/0061; A44C
5/0076; A44C 5/02; A44C 5/027; A44C
5/04; A44C 5/08; A44C 5/10; A44C
5/102; A44C 5/105; A44C 5/107; A44C
5/14

See application file for complete search history.

(56) **References Cited**

U.S. PATENT DOCUMENTS

1,764,440 A * 6/1930 Gammell A44C 5/22
24/68 J
3,965,670 A * 6/1976 Ihringer A44C 5/14
59/79.1
D339,309 S * 9/1993 Butler D11/19
D365,994 S * 1/1996 Brennan D10/32
D488,392 S * 4/2004 Tschumi D10/32
D584,170 S * 1/2009 Morrison D10/32
D588,472 S * 3/2009 Messmer D10/32
D642,074 S * 7/2011 Chastaingt D10/32
D727,199 S * 4/2015 Akana D11/3
D735,069 S * 7/2015 Paradise D11/3

D785,469 S * 5/2017 Grcic D10/38
D813,705 S 3/2018 Ferguson
D820,140 S * 6/2018 Register D11/3
2015/0351503 A1 * 12/2015 Isaacs A44C 5/24
63/3
2016/0037870 A1 * 2/2016 Perkins A44B 17/0011
24/664
2016/0124390 A1 * 5/2016 Kobayashi A44C 5/14
368/282
2016/0316865 A1 * 11/2016 Berg A44C 5/20
2017/0042297 A1 * 2/2017 Ko A44C 27/001
2017/0086536 A1 * 3/2017 de Iuliis G04B 37/1493
(Continued)

OTHER PUBLICATIONS

Epic Watch Bands: Install Stainless Steel Link Watch Band, posted Dec. 6, 2018, [retrieved Aug. 27, 2020], Retrieved from Internet, < URL: https://www.youtube.com/watch?v=Jr8ua0OBk84&feature=emb_logo >.*

Primary Examiner — Sheryl Lane
Assistant Examiner — Calvin E Vansant
(74) *Attorney, Agent, or Firm* — ZANIP

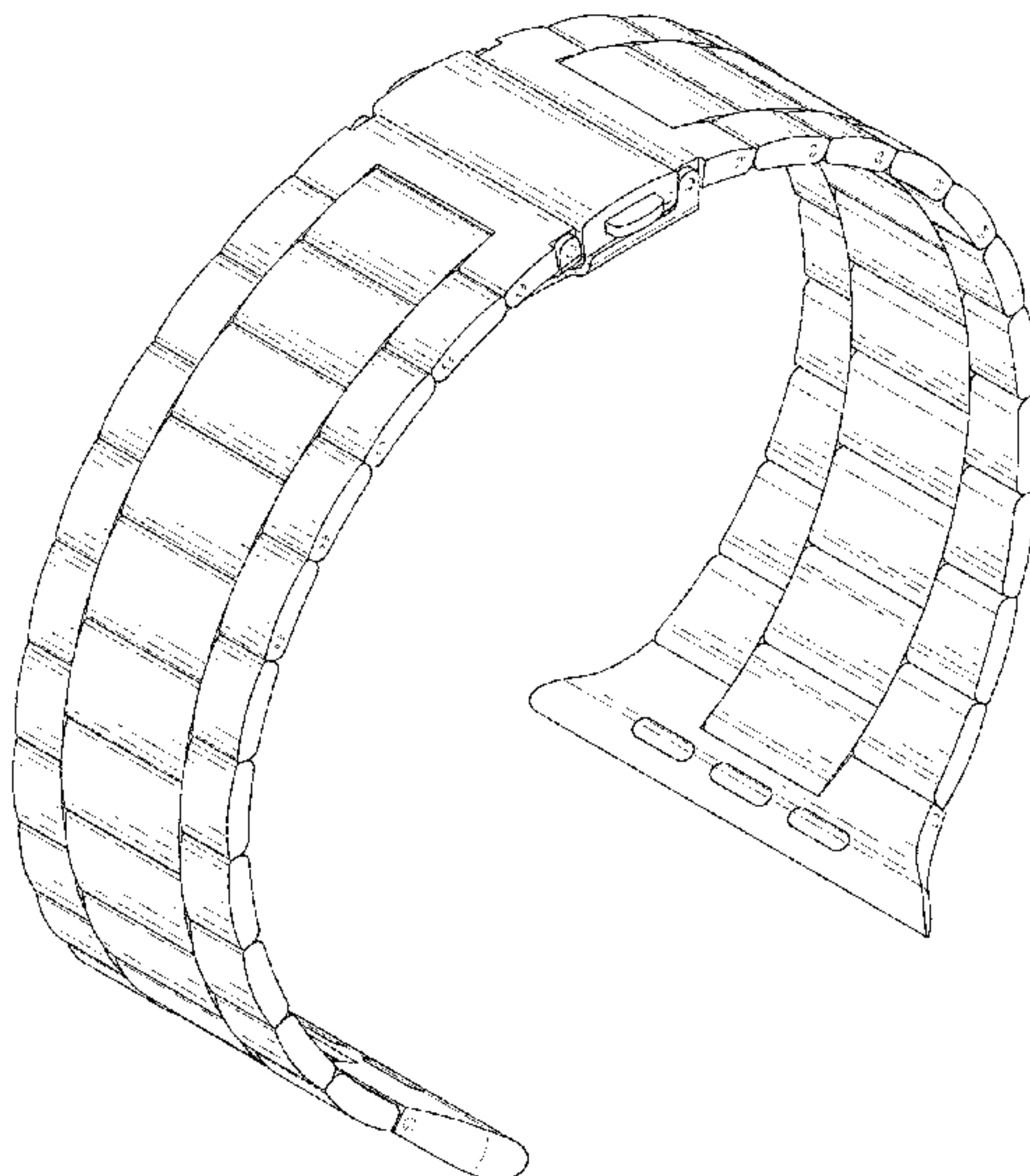
(57) **CLAIM**

The ornamental design for a watch band, as shown and described.

DESCRIPTION

FIG. 1 is a rear and bottom perspective view of a watch band, showing my new design;
FIG. 2 is a front and top perspective view thereof;
FIG. 3 is a front elevational view thereof;
FIG. 4 is a rear elevational view thereof;
FIG. 5 is a left side elevational view thereof;
FIG. 6 is a right side elevational view thereof;
FIG. 7 is a top plan view thereof; and,
FIG. 8 is a bottom plan view thereof.
The broken lines in the figures illustrate portions of the watch band that form no part of the claimed design.

1 Claim, 8 Drawing Sheets



(56)

References Cited

U.S. PATENT DOCUMENTS

2018/0055159 A1* 3/2018 Park G04B 37/1486
2019/0140479 A1* 5/2019 Henry H01M 10/465

* cited by examiner

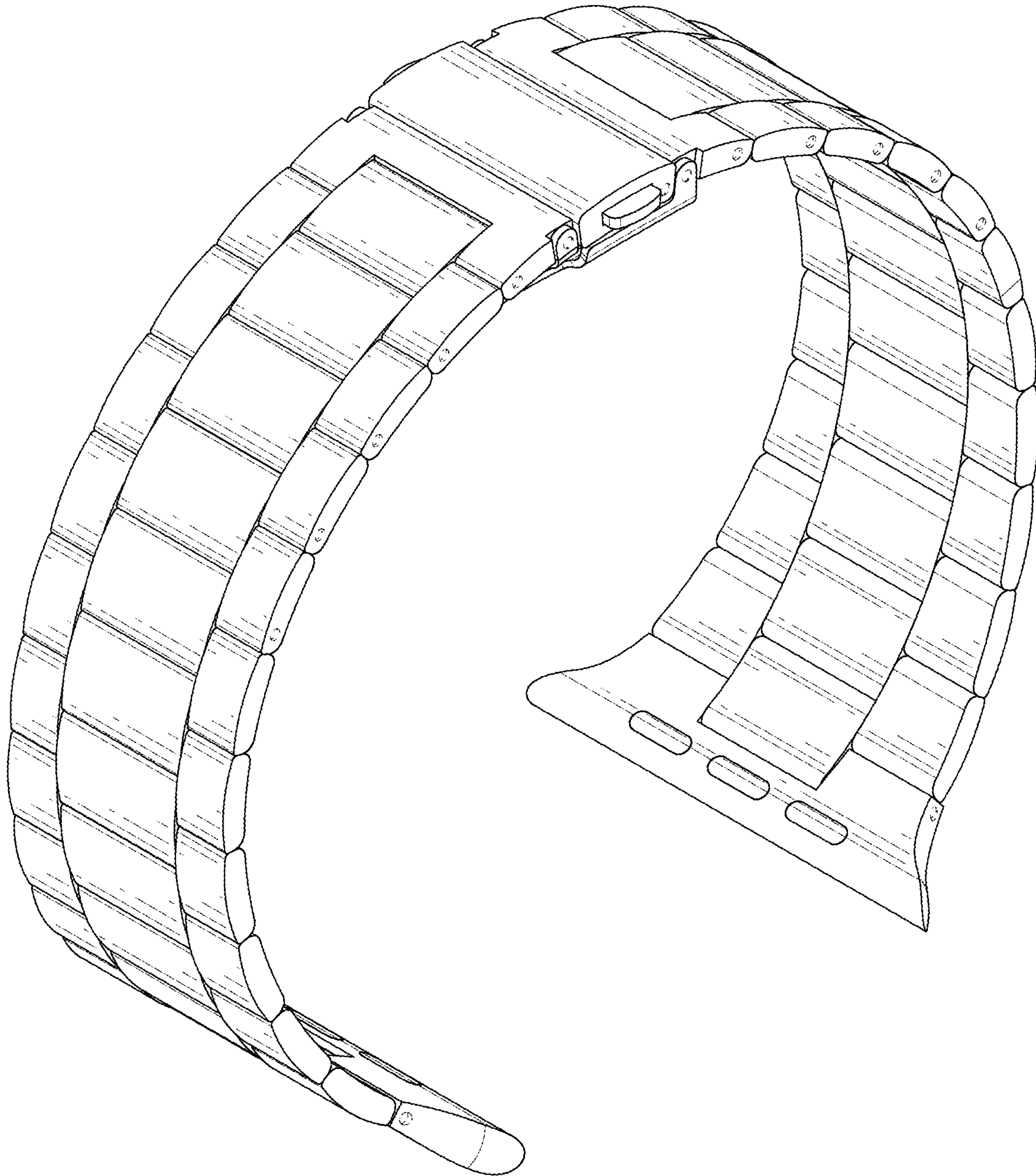


FIG. 1

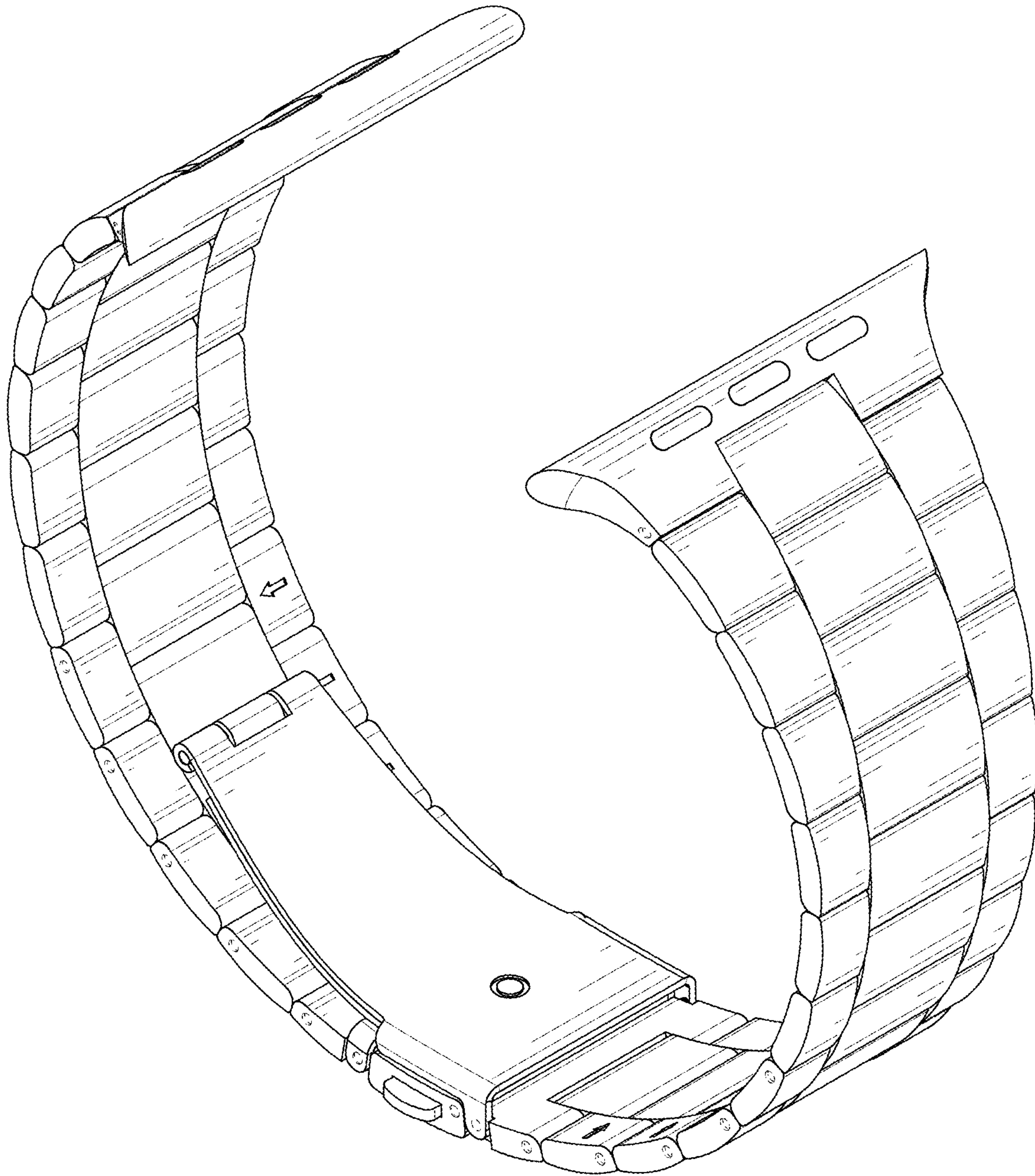


FIG. 2

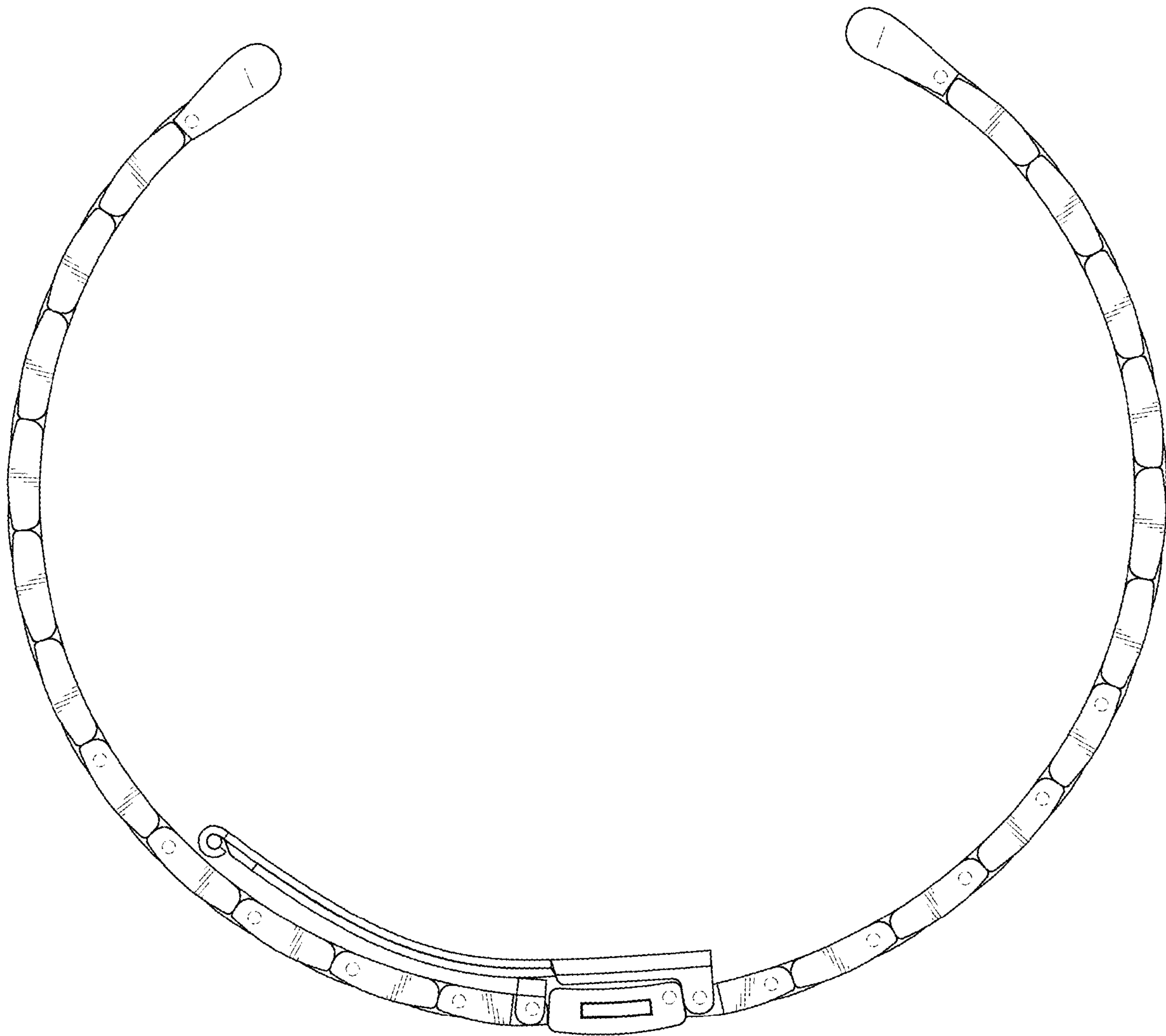


FIG. 3

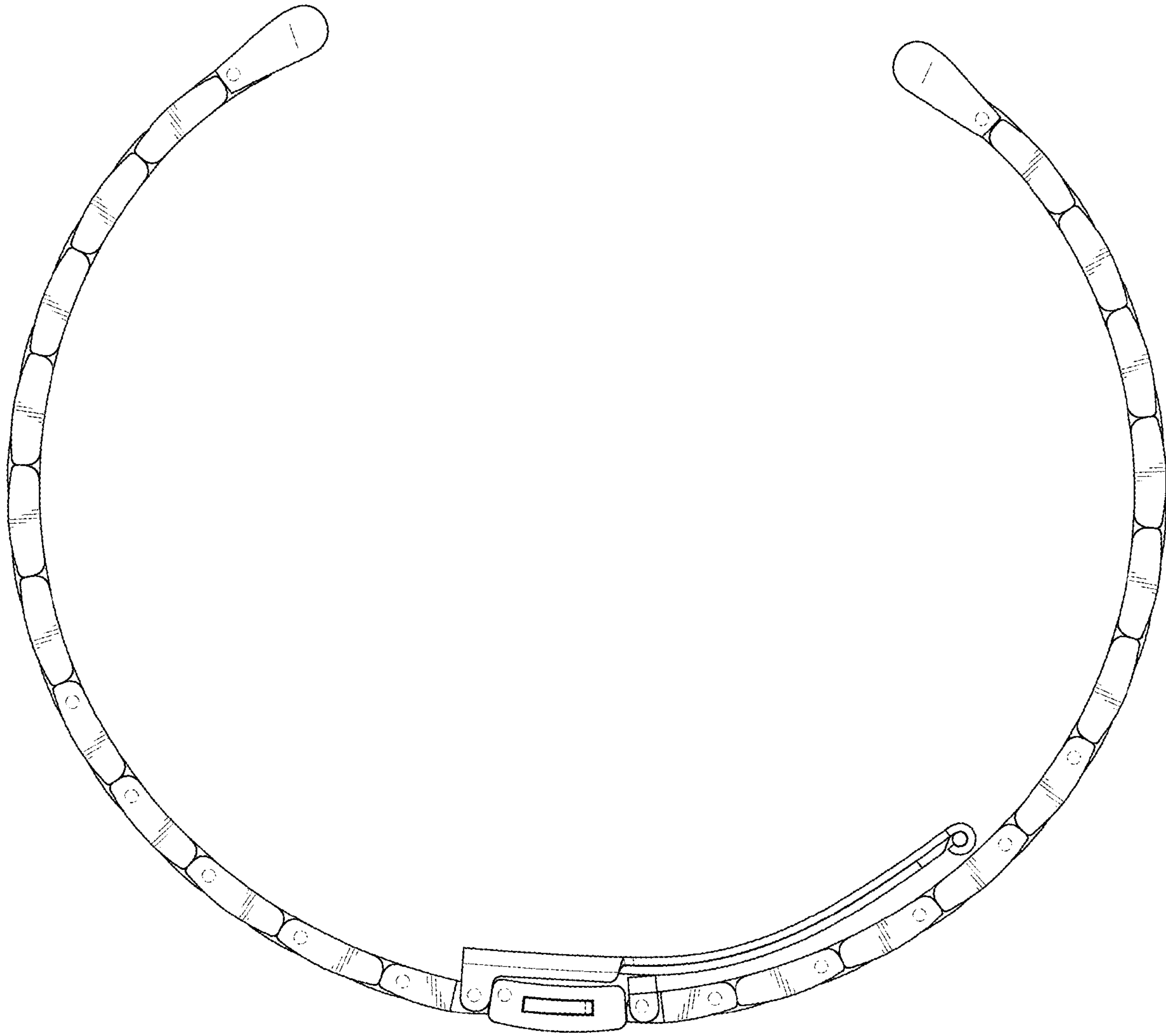


FIG. 4

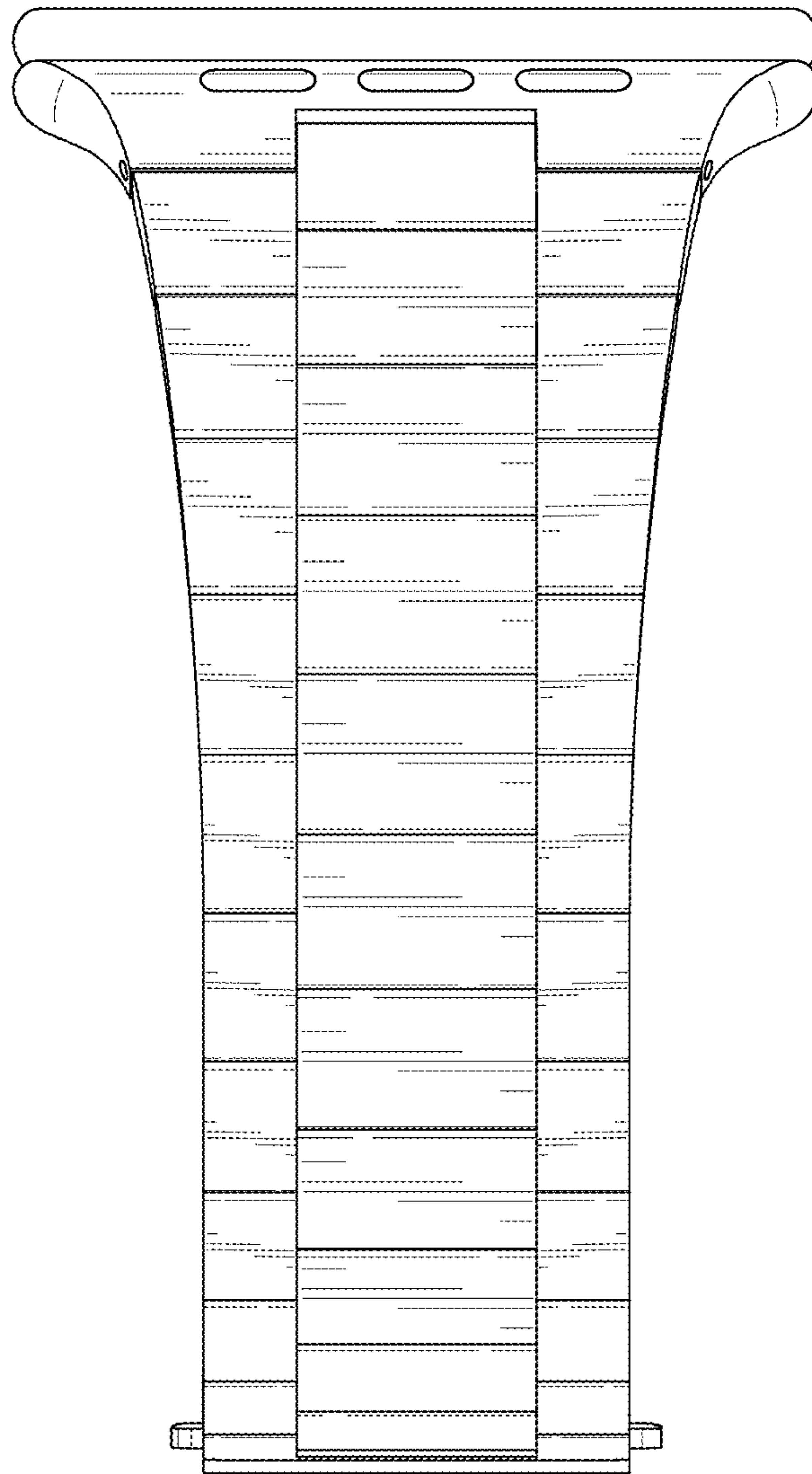


FIG. 5

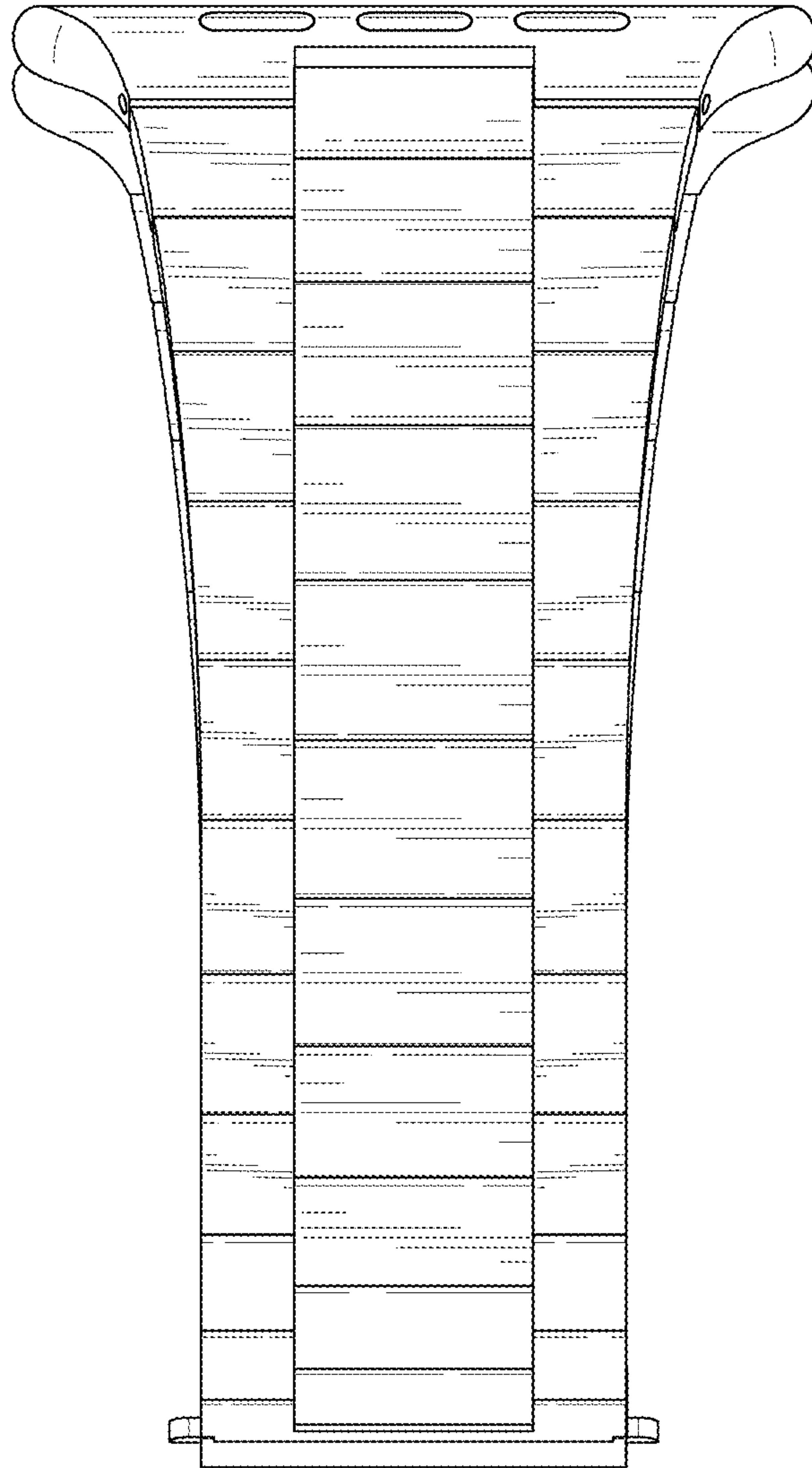


FIG. 6

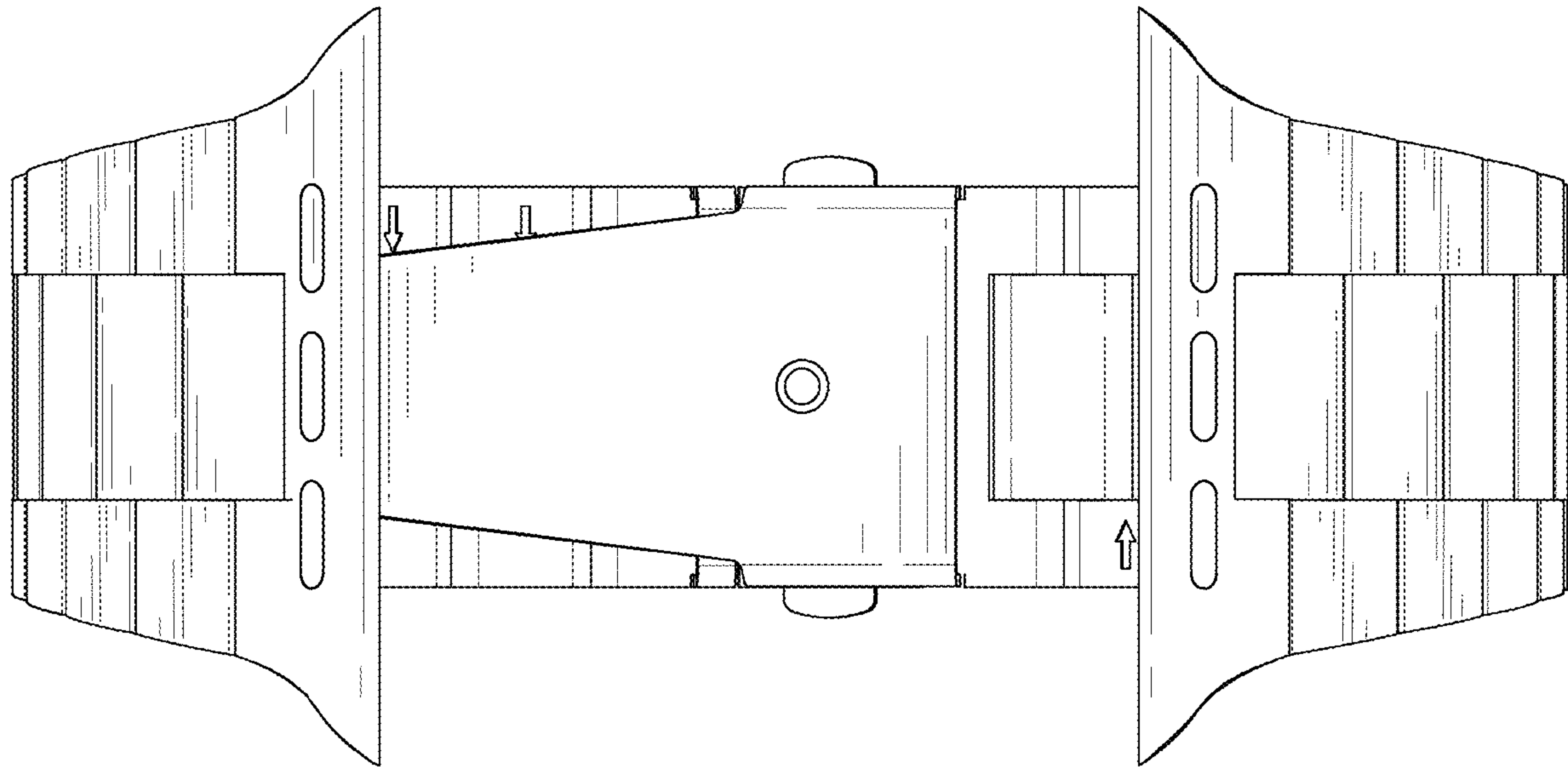


FIG. 7

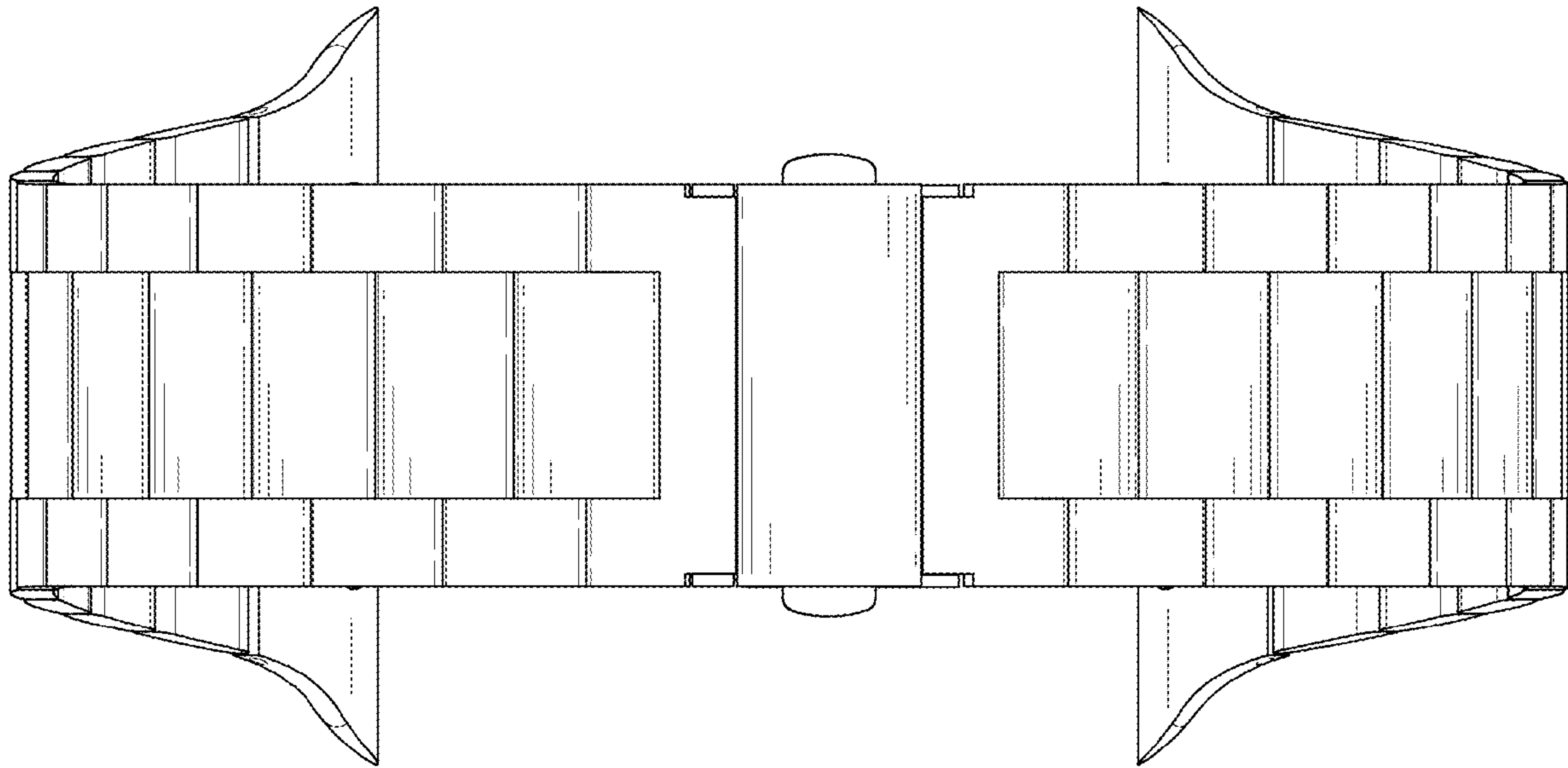


FIG. 8