



US00D913140S

(12) **United States Design Patent** (10) **Patent No.:** **US D913,140 S**
Grace (45) **Date of Patent:** **** *Mar. 16, 2021**

(54) **WRISTBAND**
(71) Applicant: **Rachel Grace**, Grand Blanc, MI (US)
(72) Inventor: **Rachel Grace**, Grand Blanc, MI (US)
(*) Notice: This patent is subject to a terminal disclaimer.
(**) Term: **15 Years**
(21) Appl. No.: **29/717,123**
(22) Filed: **Dec. 15, 2019**
(51) **LOC (13) Cl.** **11-01**
(52) **U.S. Cl.**
USPC **D11/3**
(58) **Field of Classification Search**
USPC D11/1-6; D14/344; D26/38, 39
CPC A44C 15/0015; A44C 15/002; A44C 15/0025; A44C 15/003; A44C 15/004; A44C 5/00; A44C 5/0007; A44C 5/0015; A44C 5/0023; A44C 5/003; A44C 5/0053; A44C 5/0084
See application file for complete search history.

D891,287 S * 7/2020 Fort, Jr. D11/3
D891,288 S * 7/2020 Fort, Jr. D11/3
D891,966 S * 8/2020 Fort, Jr. D11/3
D891,967 S * 8/2020 Fort, Jr. D11/3
D891,968 S * 8/2020 Fort, Jr. D11/3
D891,969 S * 8/2020 Fort, Jr. D11/3
D891,970 S * 8/2020 Fort, Jr. D11/3
D891,971 S * 8/2020 Fort, Jr. D11/3
2001/0008074 A1* 7/2001 Radley-Smith A44C 5/0015
63/3
2005/0189906 A1* 9/2005 Sun A44C 5/0007
320/107
2010/0251768 A1* 10/2010 McAnally A44C 5/0015
63/3
2010/0300147 A1* 12/2010 Farmer A44C 15/0015
63/3.1
2012/0023796 A1* 2/2012 Waltersdorf A44C 5/0015
40/633
2017/0000222 A1* 1/2017 Lee A44C 5/14
2017/0005504 A1* 1/2017 Rho G04G 17/04

* cited by examiner

Primary Examiner — Llorellys Martinez
(74) *Attorney, Agent, or Firm* — Mitchell Law PLLC;
Matthew W. Mitchell

(57) **CLAIM**

The ornamental design for a wristband, as shown and described.

DESCRIPTION

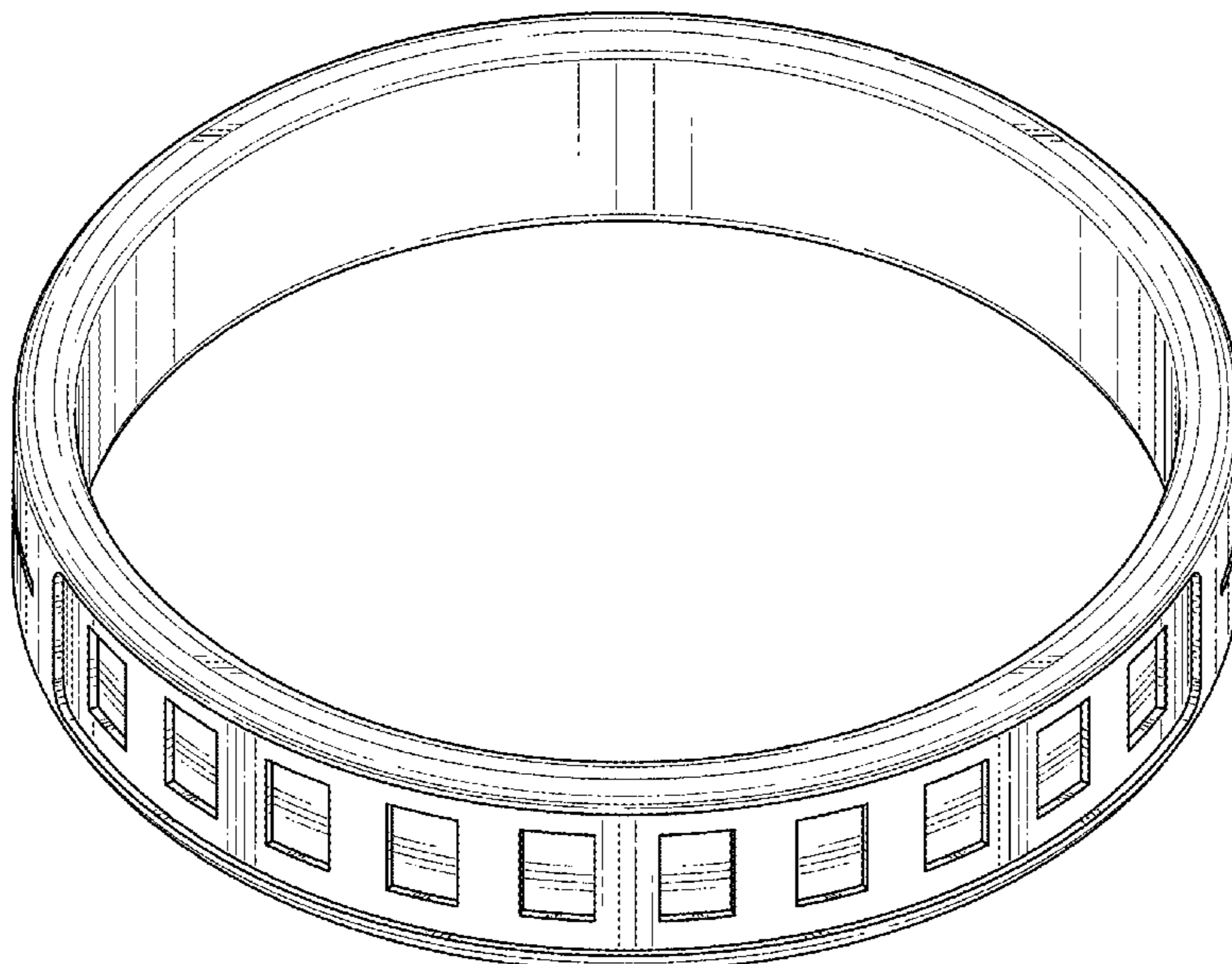
FIG. 1 is a front isometric view of the wristband of the present invention;
FIG. 2 is a front view thereof;
FIG. 3 is rear view thereof;
FIG. 4 is a right-side view thereof;
FIG. 5 is a left-side view thereof;
FIG. 6 is a top plan view thereof; and,
FIG. 7 is a bottom plan view thereof.

1 Claim, 7 Drawing Sheets

(56) **References Cited**

U.S. PATENT DOCUMENTS

D111,135 S * 9/1938 Ebbled D11/4
2,378,755 A * 6/1945 Dowling A44C 5/00
D11/6
D158,918 S * 6/1950 Winn D10/32
D340,879 S * 11/1993 French D11/3
D349,468 S * 8/1994 Souren D11/3
D495,267 S * 8/2004 Pachachi D11/5
D617,231 S * 6/2010 Adamson D11/4
D714,178 S * 9/2014 Sabbioni D11/3
D780,000 S * 2/2017 Taglia D11/6
D871,955 S * 1/2020 Naqvi D11/6
D881,738 S * 4/2020 Fort, Jr. D11/3
D884,540 S * 5/2020 Tse D11/6



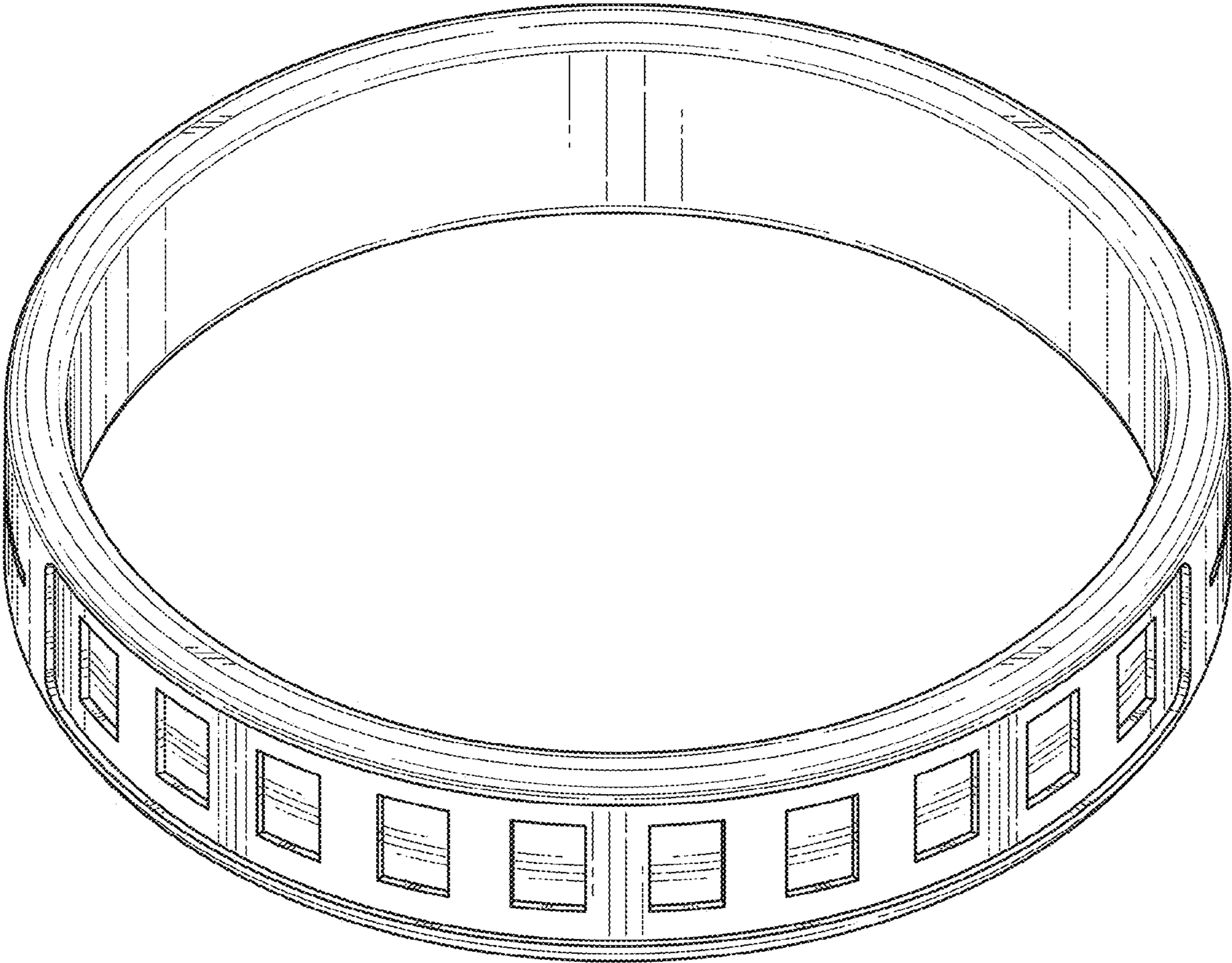


FIG. 1

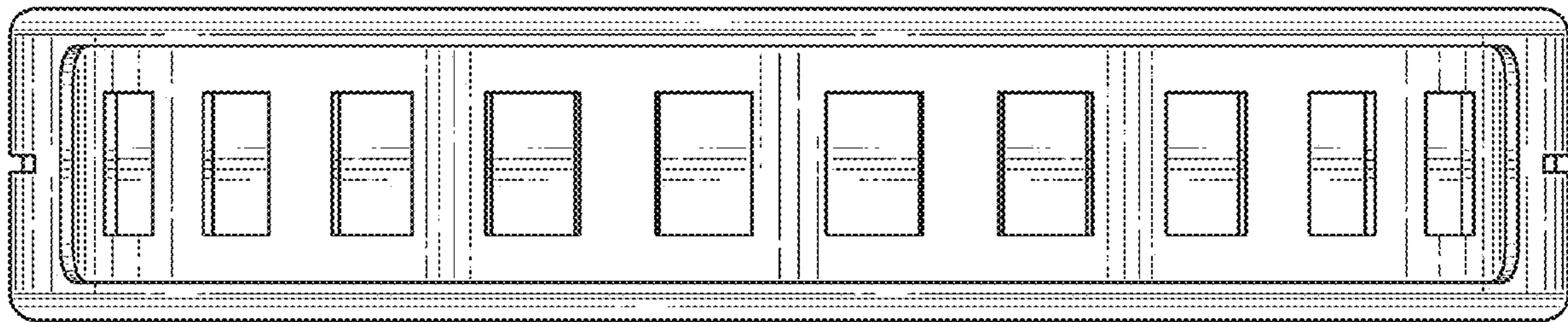


FIG. 2

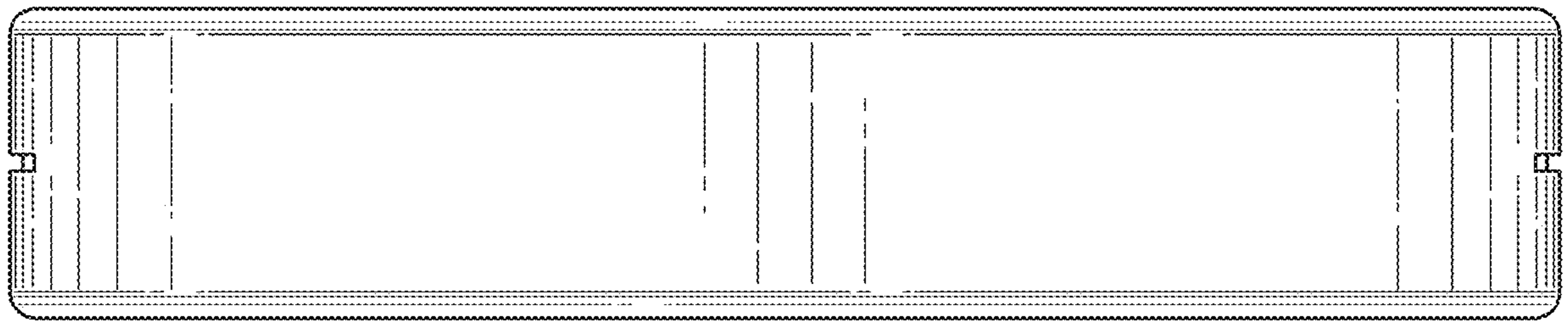


FIG. 3

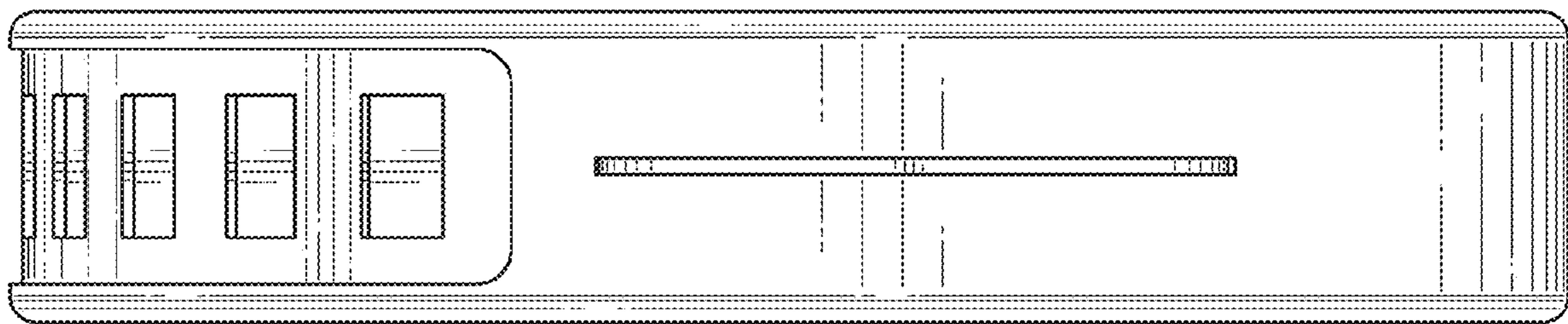


FIG. 4

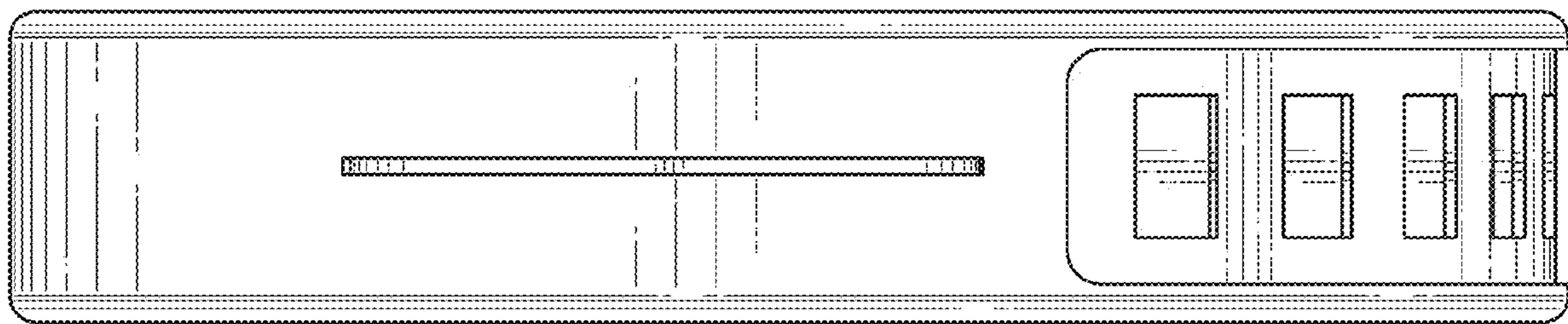


FIG. 5

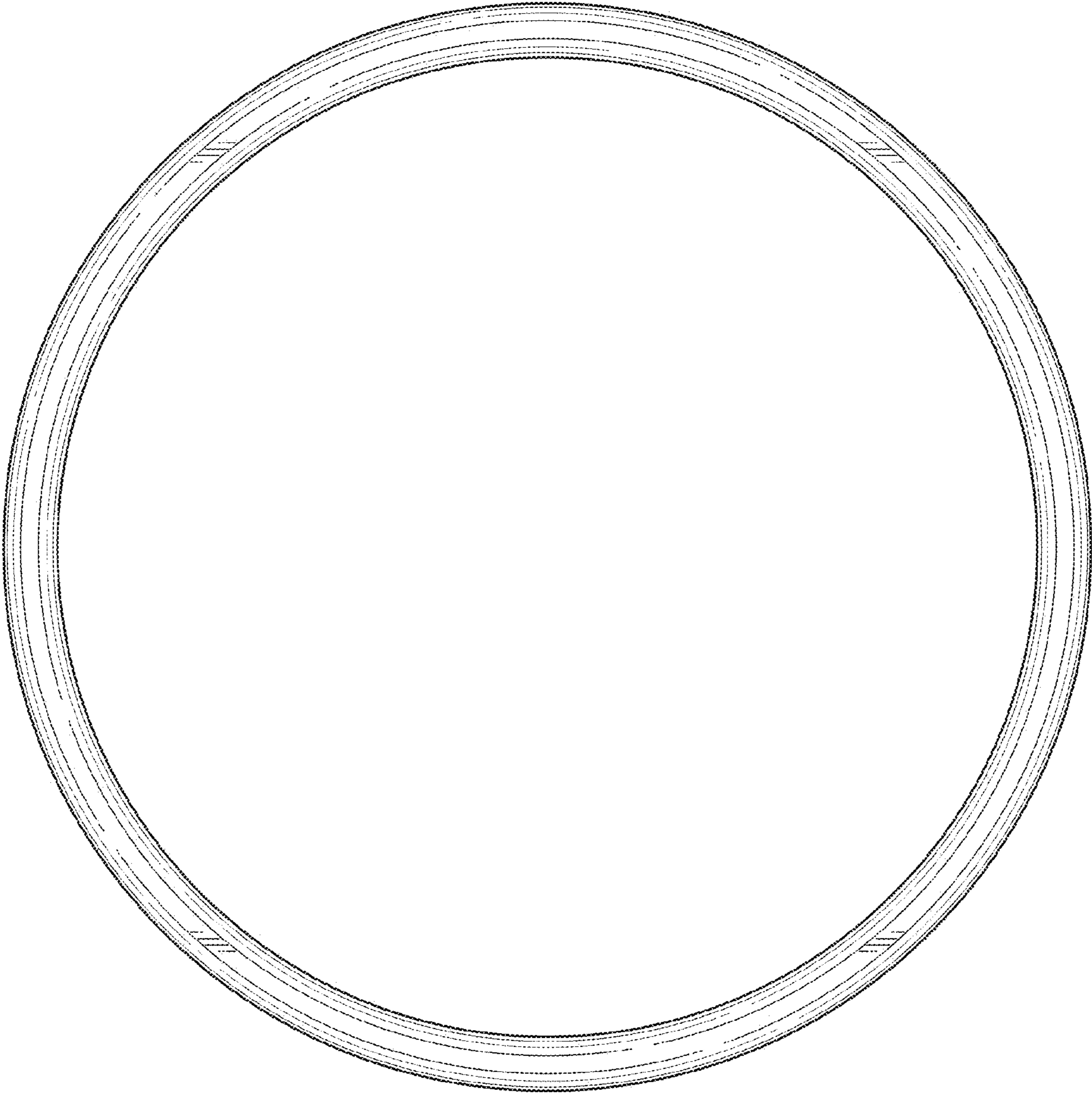


FIG. 6

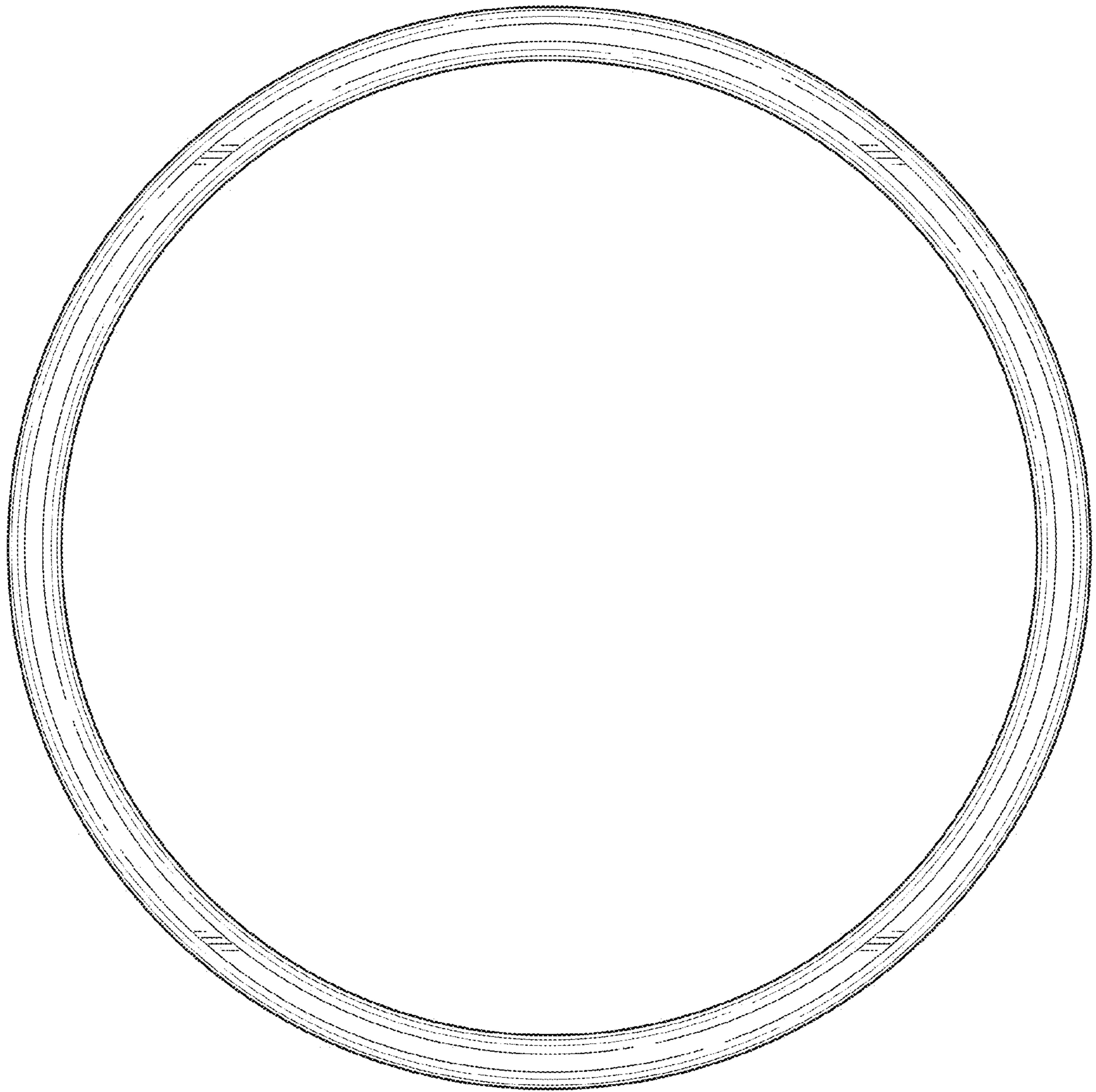


FIG. 7