



US00D913139S

(12) **United States Design Patent** (10) **Patent No.:** **US D913,139 S**
Ren (45) **Date of Patent:** **** Mar. 16, 2021**

(54) **PROTECTIVE CASE FOR A WATCH**

(71) Applicant: **Quan Ren**, Guangdong (CN)

(72) Inventor: **Quan Ren**, Guangdong (CN)

(**) Term: **15 Years**

(21) Appl. No.: **29/672,474**

(22) Filed: **Dec. 5, 2018**

(51) **LOC (13) Cl.** **10-07**

(52) **U.S. Cl.**

USPC **D10/132**; D14/440

(58) **Field of Classification Search**

USPC .. D10/30-41, 65, 70, 97-98, 128, 131-132;
D11/3, 5, 94; D14/344, 345, 440;
D24/167, 186

CPC G04B 19/18; G04B 19/23; G04B 19/283;
G04B 37/05; G04B 37/081-087; A44C
5/00; A44C 5/0053; A44C 5/14; A44C
5/147; A44C 5/22; A44C 5/24; A45C
11/10; A45C 11/12; A45C 13/002; A45C
2011/001-003

See application file for complete search history.

(56) **References Cited**

U.S. PATENT DOCUMENTS

- 4,277,842 A * 7/1981 Richards A44C 5/0053
368/282
- 7,946,758 B2 * 5/2011 Mooring G04B 37/005
368/276
- D660,726 S * 5/2012 Register D10/38
- D710,216 S * 8/2014 Mille D10/38
- D735,191 S * 7/2015 Song D10/38
- D752,044 S * 3/2016 Akana D14/344
- D766,904 S * 9/2016 Jung D14/440
- D766,905 S * 9/2016 Lee D14/440
- 9,632,534 B1 * 4/2017 Devaney G06F 1/163
- D786,240 S * 5/2017 Chuang D14/344
- D799,342 S * 10/2017 Mille D10/30
- D822,835 S * 7/2018 Paschke D24/167
- D826,406 S * 8/2018 Paschke D24/167

- D831,521 S * 10/2018 Hodge D11/3
- D845,810 S * 4/2019 Peng D10/132
- D850,968 S * 6/2019 Zhang D10/132
- D874,968 S * 2/2020 Weng D10/128
- 2009/0201767 A1 * 8/2009 Caldwell G04B 37/127
368/10

(Continued)

FOREIGN PATENT DOCUMENTS

CN 305021770 * 2/2019

OTHER PUBLICATIONS

Oxwallen Stellar Series for Apple Watch | amazon.com Jan 2019 [online]. © 1996-2020, Amazon.com, Inc [retrieved Jun. 7, 2020] from Internet: <https://www.amazon.com/OXWALLEN-Compatible-Silicone-Protective-Replacennent/dp/B07Z4HGLLM/ref=sr_1_36?dchild=1&keywords=lunatik%2Bepik&qid=1591580074&sr=8-36&th=1> (Year: 2019).*

(Continued)

Primary Examiner — Katherine Glennon

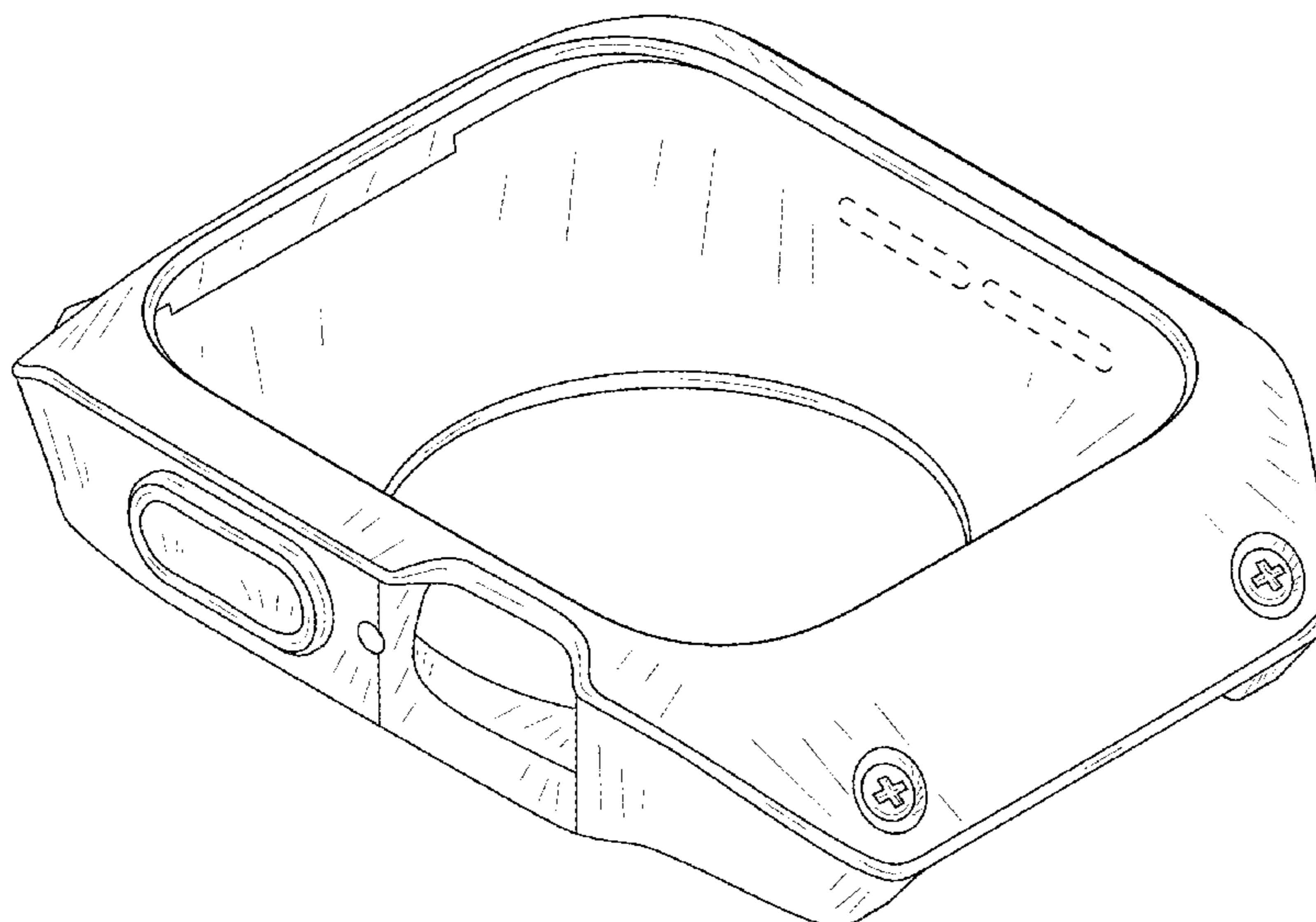
(57) **CLAIM**

The ornamental design for a protective case for a watch, as shown and described.

DESCRIPTION

FIG. 1 is a perspective view of a protective case for a watch showing my new design; FIG. 2 is a front elevational view thereof; FIG. 3 is a rear elevational view thereof; FIG. 4 is a left side elevational view thereof; FIG. 5 is a right side elevational view thereof; FIG. 6 is a top plan view thereof; and FIG. 7 is a bottom plan view thereof. The broken lines throughout the drawing figures depict portions of the protective case for a watch that form no part of the claimed design.

1 Claim, 7 Drawing Sheets



(56)

References Cited

U.S. PATENT DOCUMENTS

2013/0045037 A1* 2/2013 Schaffer G06F 3/0202
400/472

OTHER PUBLICATIONS

Apple Watch Series 4 LUNATIK | posted at lunaticcase.com no
posting date [online]. © 2020 Lunatik [retrieved Jun. 7, 2020] from
Internet: <<https://www.lunaticcase.com/product-tag/apple-watch-series-4/>> (Year: 2020).*

* cited by examiner

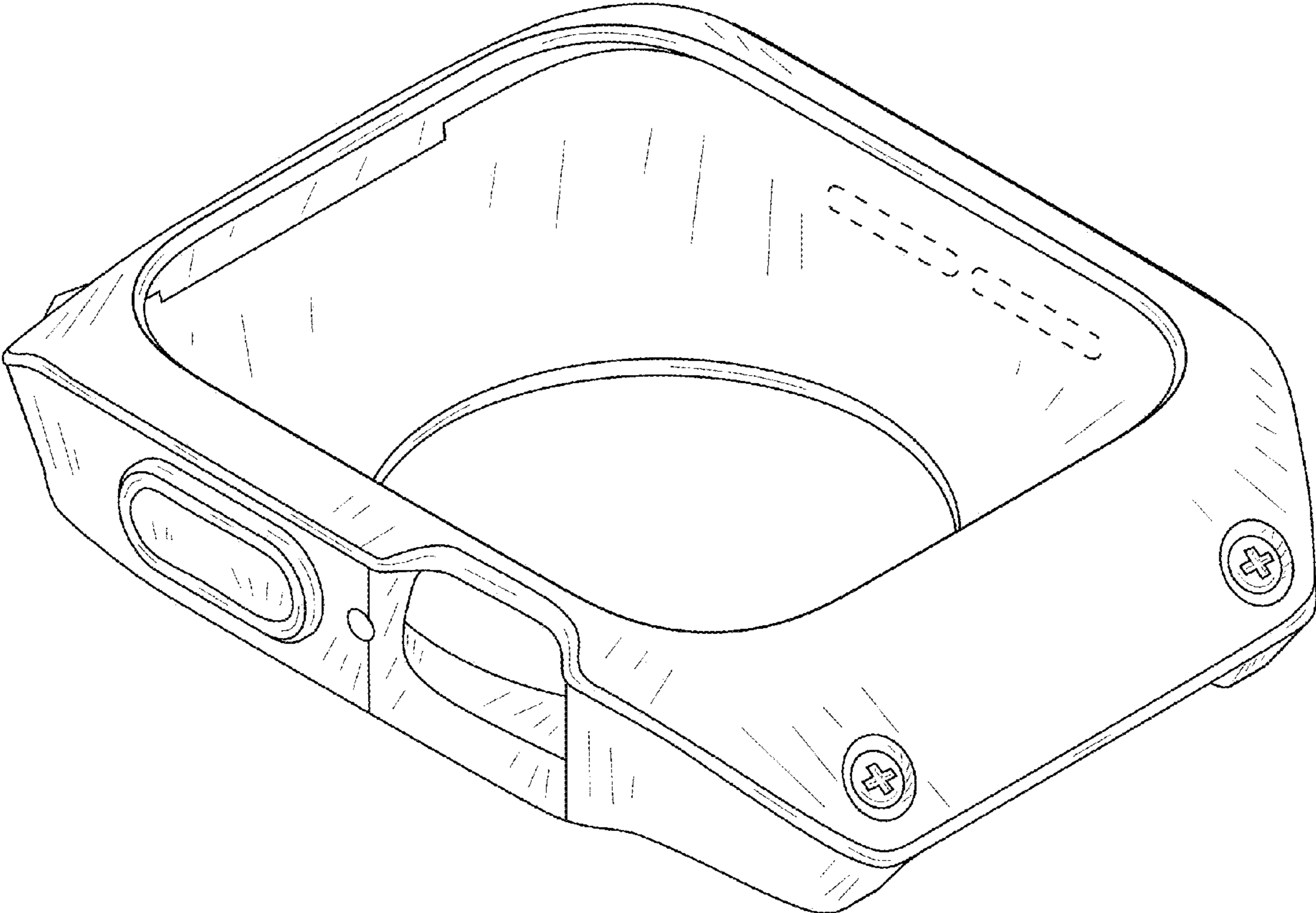


FIG.1

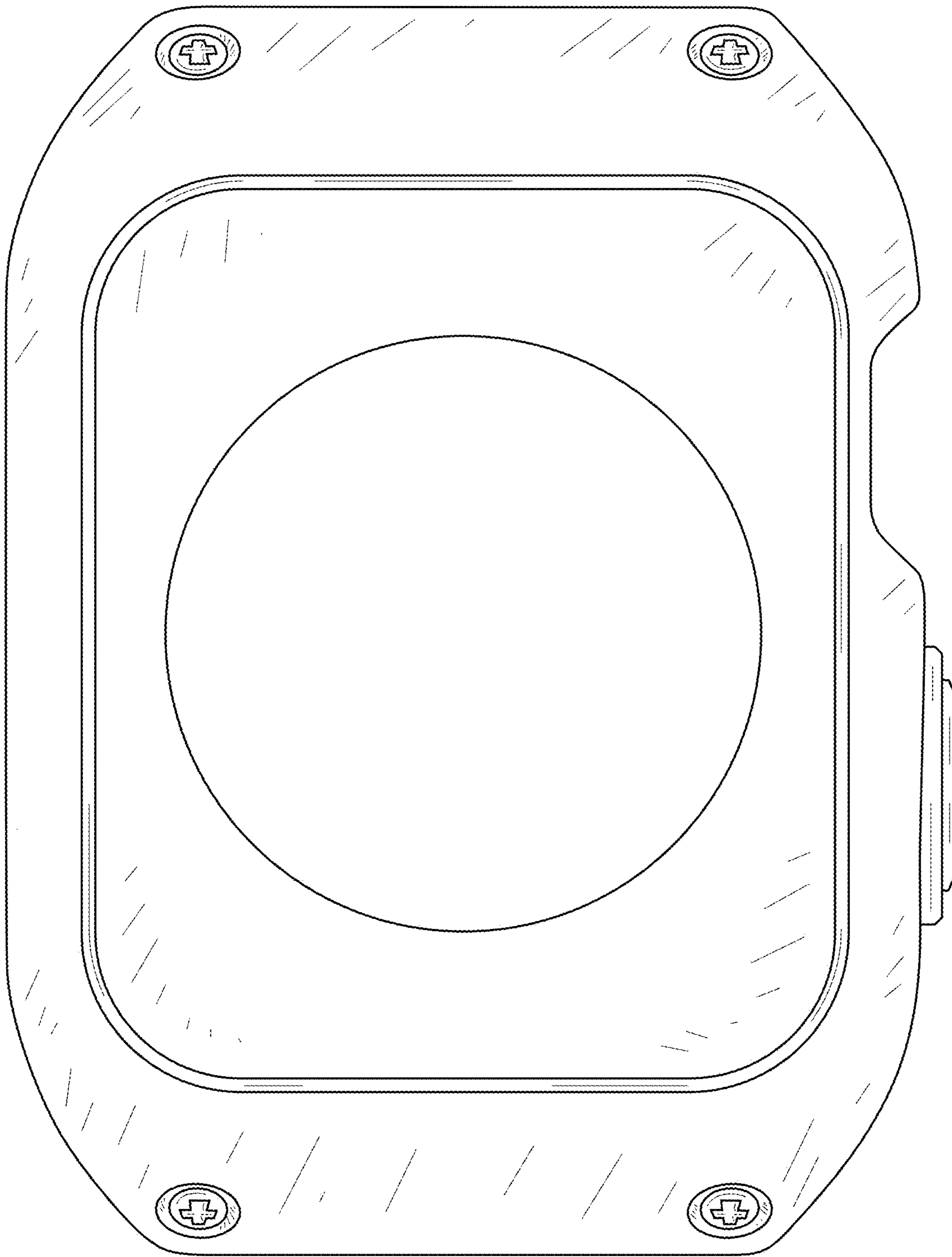


FIG.2

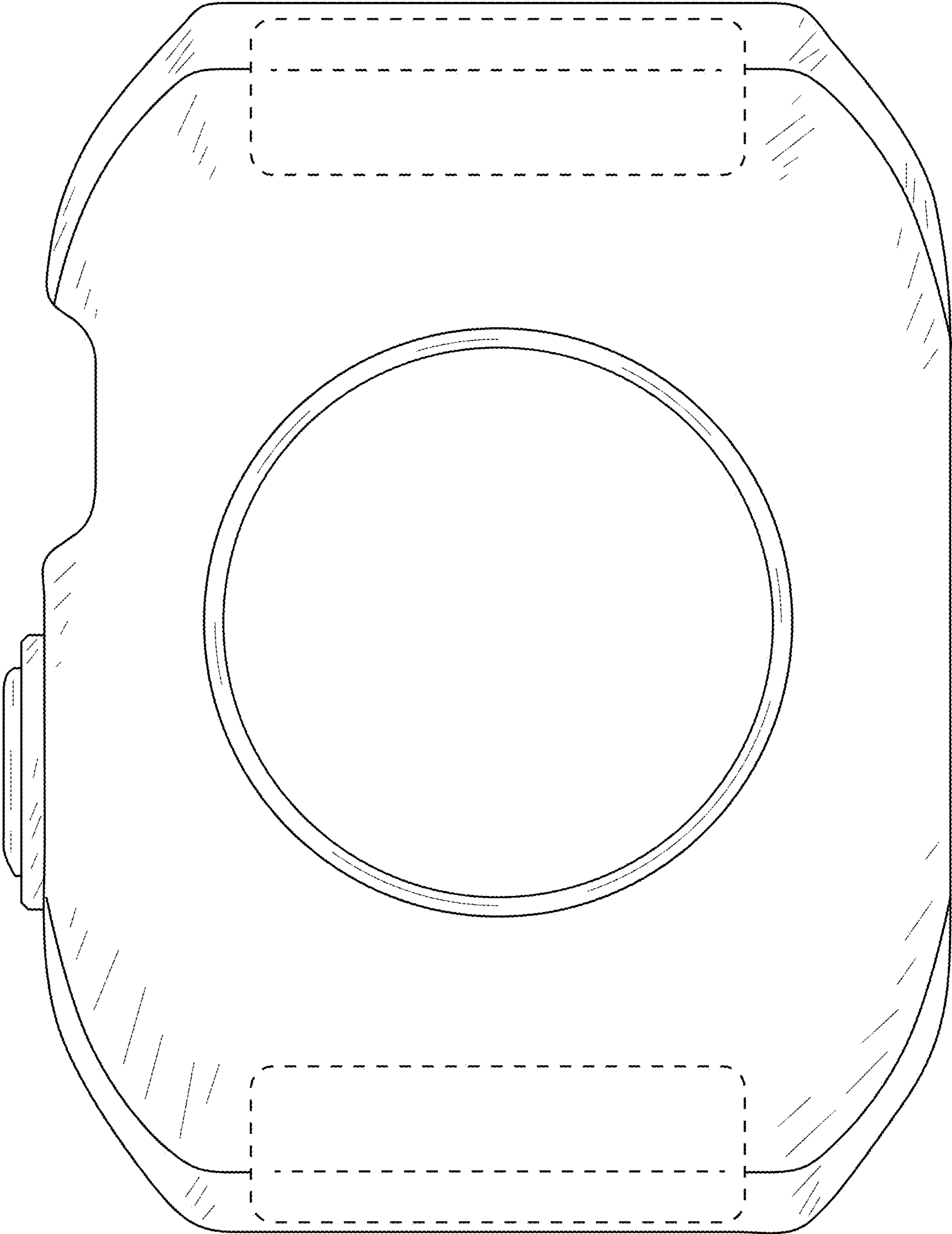


FIG.3

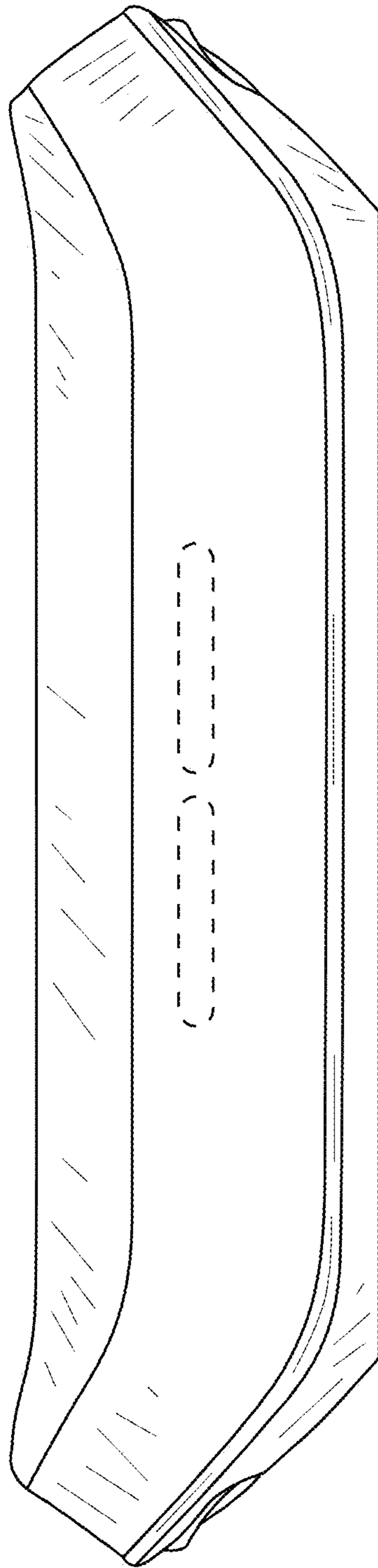


FIG.4

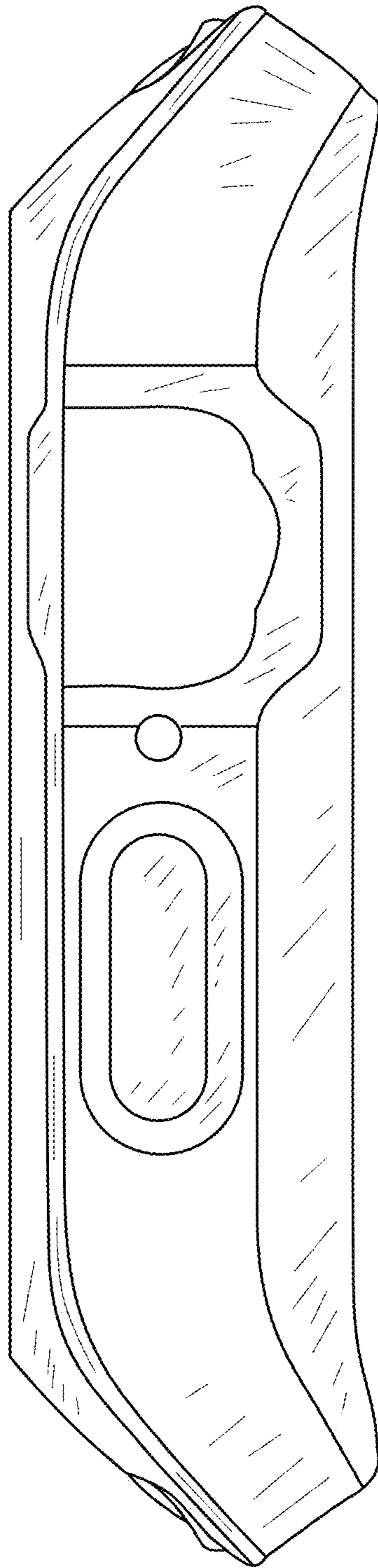


FIG.5

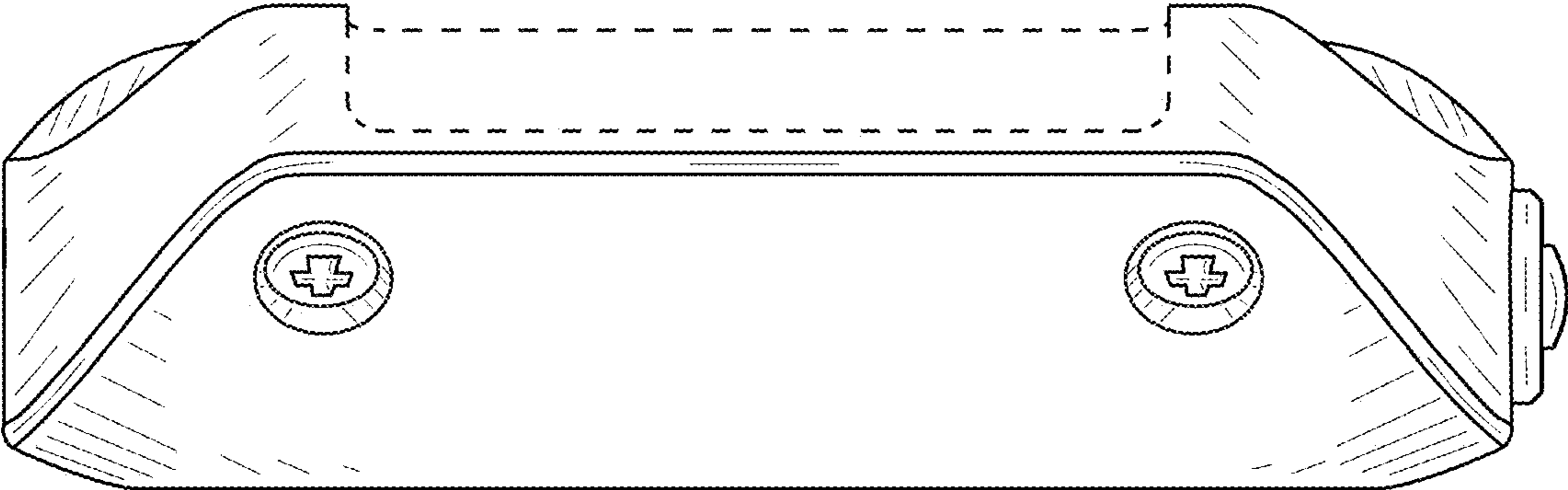


FIG.6

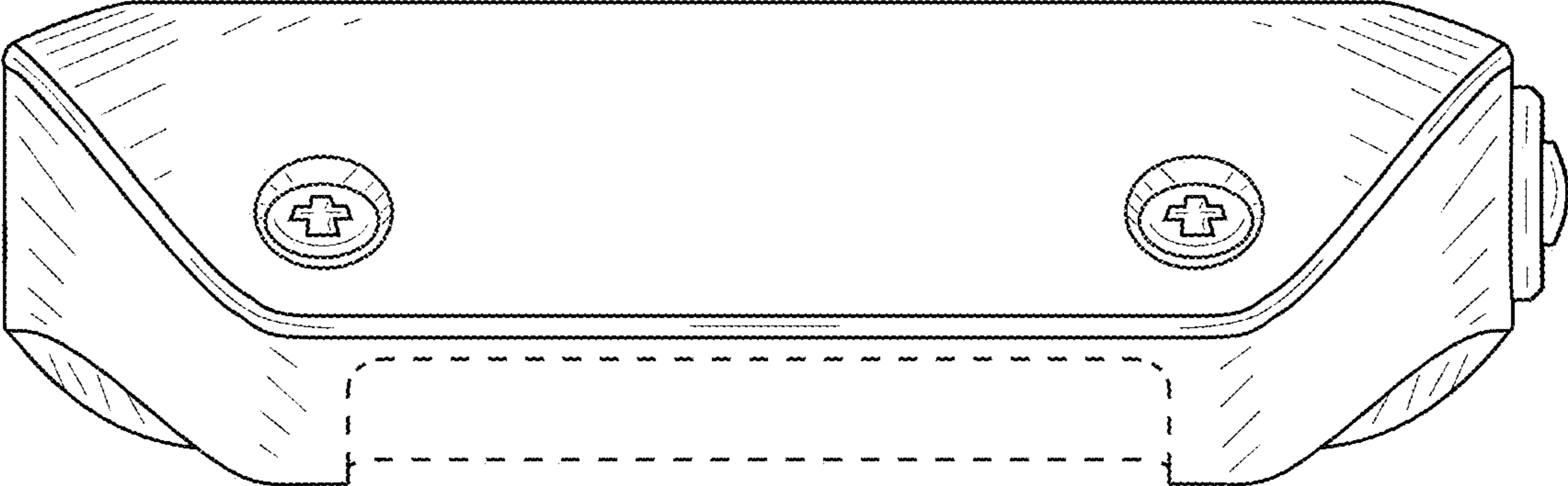


FIG.7