



US00D913134S

(12) **United States Design Patent**  
**Atteberry et al.**

(10) **Patent No.:** **US D913,134 S**  
(45) **Date of Patent:** **\*\* Mar. 16, 2021**

(54) **PERSONAL ALARM**

(71) Applicant: **Super-Sparkly Safety Stuff, LLC,**  
Dallas, TX (US)

(72) Inventors: **Andrea A. Atteberry,** Dallas, TX (US);  
**Gabriel P. Mazzone,** Dallas, TX (US)

(73) Assignee: **Super-Sparkly Safety Stuff, LLC,**  
Dallas, TX (US)

(\*\*) Term: **15 Years**

(21) Appl. No.: **29/696,399**

(22) Filed: **Jun. 27, 2019**

(51) **LOC (13) Cl.** ..... **10-05**

(52) **U.S. Cl.**  
USPC ..... **D10/106.1; D3/211**

(58) **Field of Classification Search**  
USPC ..... D10/104.2, 106.1, 106.4, 119.4; D3/208,  
D3/211; D11/66, 74, 81

(Continued)

(56) **References Cited**

**U.S. PATENT DOCUMENTS**

D159,395 S \* 7/1950 Schlossberg ..... D5/63  
D386,704 S \* 11/1997 Chang ..... D10/106.1

(Continued)

**OTHER PUBLICATIONS**

Personal Safety Alarm for Women Ahh!-larm! Black Glitter Bow |  
posted at amazon.com Feb. 11, 2019 [online]. ©1996-2020, Amazon.  
com, Inc [retrieved Jul. 14, 2020] from Internet: <<https://www.amazon.com/Personal-Safety-Alarm-Women-Self-Defense/dp/B07PC3NSS8?th=1>> (Year: 2019).\*

*Primary Examiner* — Katherine Glennon

(74) *Attorney, Agent, or Firm* — Snell & Wilmer L.L.P.

(57) **CLAIM**

The ornamental design for a personal alarm, as shown and described.

**DESCRIPTION**

FIG. 1 illustrates a perspective front view of a first embodiment of a personal alarm;

FIG. 2 illustrates a perspective back view of the personal alarm of FIG. 1;

FIG. 3 illustrates a front view of the personal alarm of FIG. 1;

FIG. 4 illustrates a back view of the personal alarm of FIG. 1;

FIG. 5 illustrates a right side view of the personal alarm of FIG. 1;

FIG. 6 illustrates a left side view of the personal alarm of FIG. 1;

FIG. 7 illustrates a top view of the personal alarm of FIG. 1;

FIG. 8 illustrates a bottom view of the personal alarm of FIG. 1;

FIG. 9 illustrates a perspective front view of a second embodiment of a personal alarm;

FIG. 10 illustrates a perspective back view of the personal alarm of FIG. 9;

FIG. 11 illustrates a front view of the personal alarm of FIG. 9;

FIG. 12 illustrates a back view of the personal alarm of FIG. 9;

FIG. 13 illustrates a right side view of the personal alarm of FIG. 9;

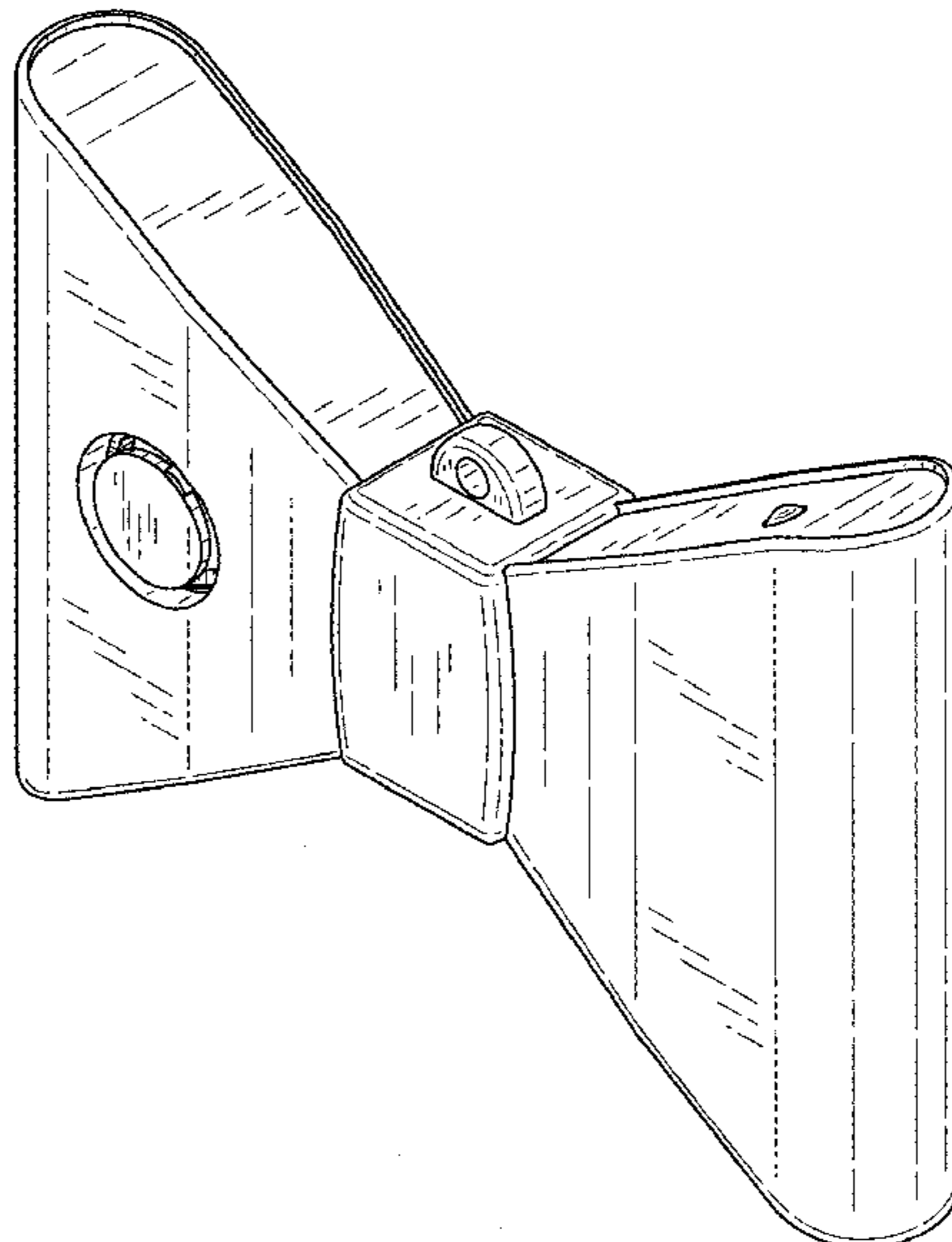
FIG. 14 illustrates a left side view of the personal alarm of FIG. 9;

FIG. 15 illustrates a top view of the personal alarm of FIG. 9; and,

FIG. 16 illustrates a bottom view of the personal alarm of FIG. 9.

The broken lines shown in the accompanying drawings represent portions of the personal alarm that form no part of the claimed design.

**1 Claim, 14 Drawing Sheets**



(58) **Field of Classification Search**

CPC . G08B 21/02; G08B 21/0202; G08B 21/0297  
See application file for complete search history.

(56) **References Cited**

U.S. PATENT DOCUMENTS

D542,165 S \* 5/2007 Ayr-Popowski ..... D10/106.1  
7,397,367 B1 \* 7/2008 Lewis ..... G08B 21/0202  
340/539.1  
D683,251 S \* 5/2013 Dumas ..... D10/104.2  
D714,000 S \* 9/2014 Konovalov ..... D30/199  
D727,164 S \* 4/2015 Staab ..... D9/635  
D755,507 S \* 5/2016 Glaser ..... D3/211  
D759,315 S \* 6/2016 Mather ..... D28/87  
D762,509 S \* 8/2016 Slimane ..... D11/1  
D777,580 S \* 1/2017 Lloyd ..... D9/560  
D788,997 S \* 6/2017 Fore ..... D30/145  
D791,429 S \* 7/2017 Lee ..... D2/606  
D795,111 S \* 8/2017 Zhang ..... D10/106.1  
D820,684 S \* 6/2018 Egner ..... D9/635  
D837,079 S \* 1/2019 Mansen ..... D10/106.1  
D844,474 S \* 4/2019 Atteberry ..... D10/106.1  
D857,515 S \* 8/2019 Miller ..... D9/635  
2009/0289807 A1 \* 11/2009 Enwright ..... G08B 25/016  
340/691.4  
2015/0203280 A1 \* 7/2015 Smith ..... A44C 15/00  
206/457  
2017/0035026 A1 \* 2/2017 Bin ..... G09F 21/02  
2020/0175833 A1 \* 6/2020 Martin ..... G08B 15/001

\* cited by examiner

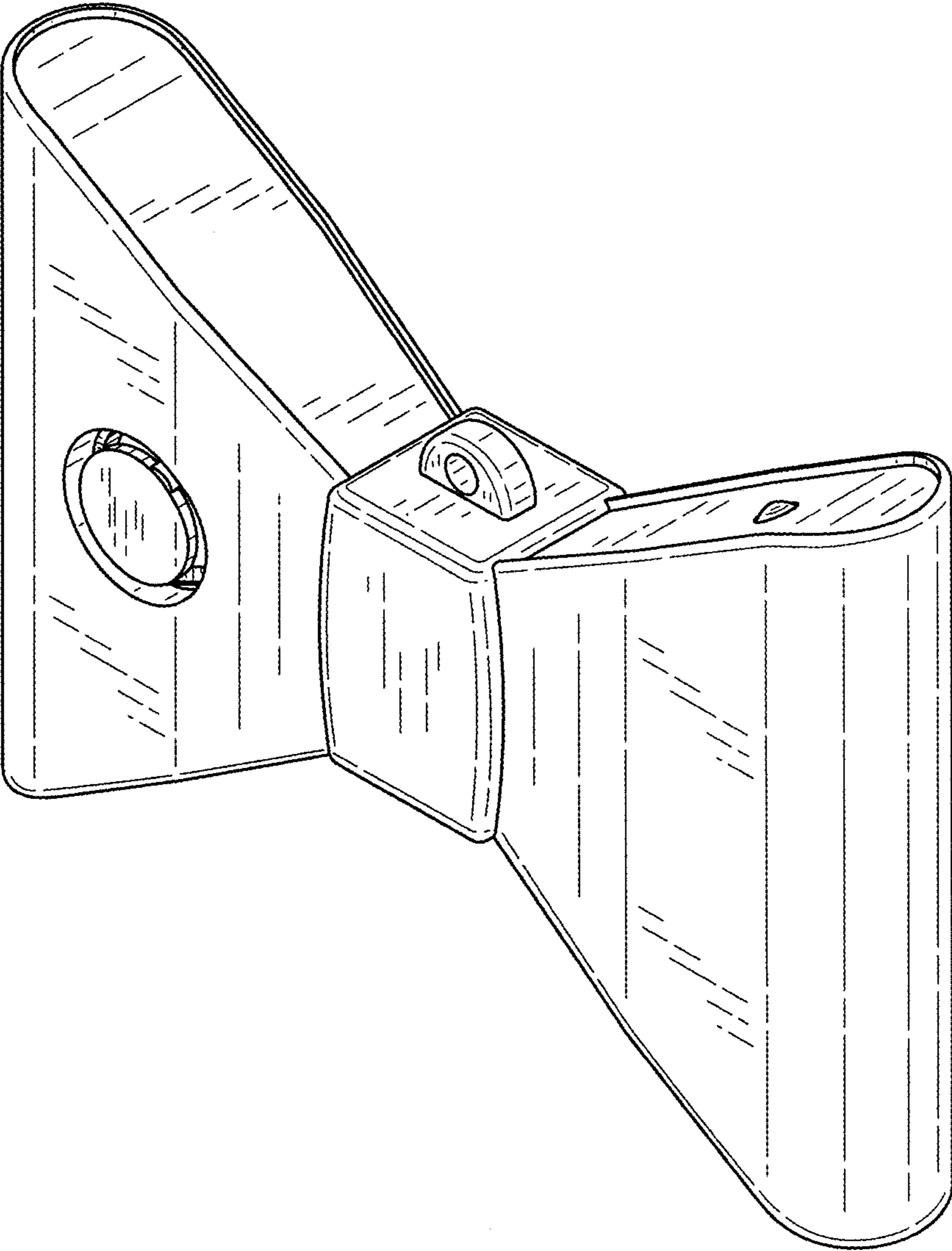


FIG. 1

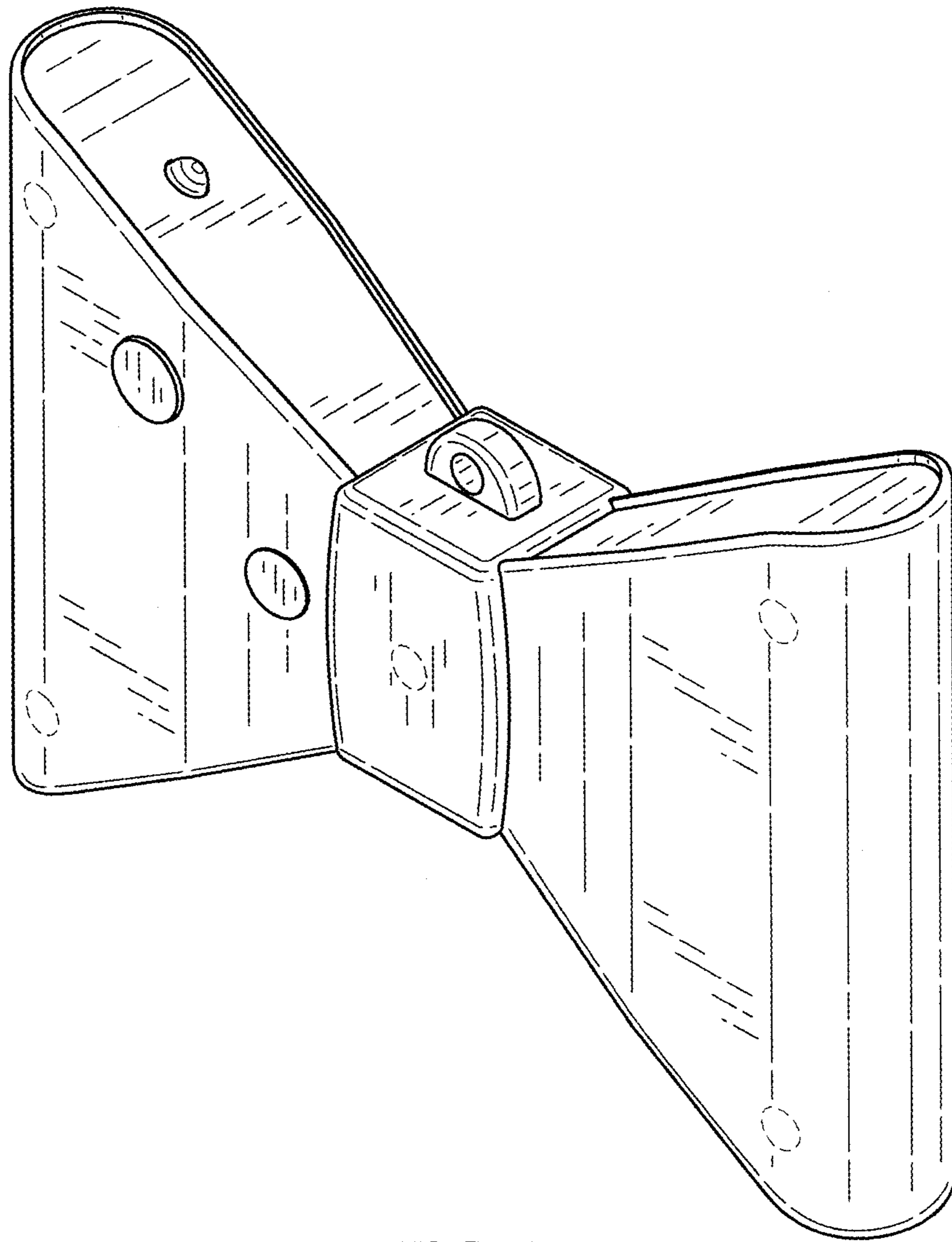


FIG. 2

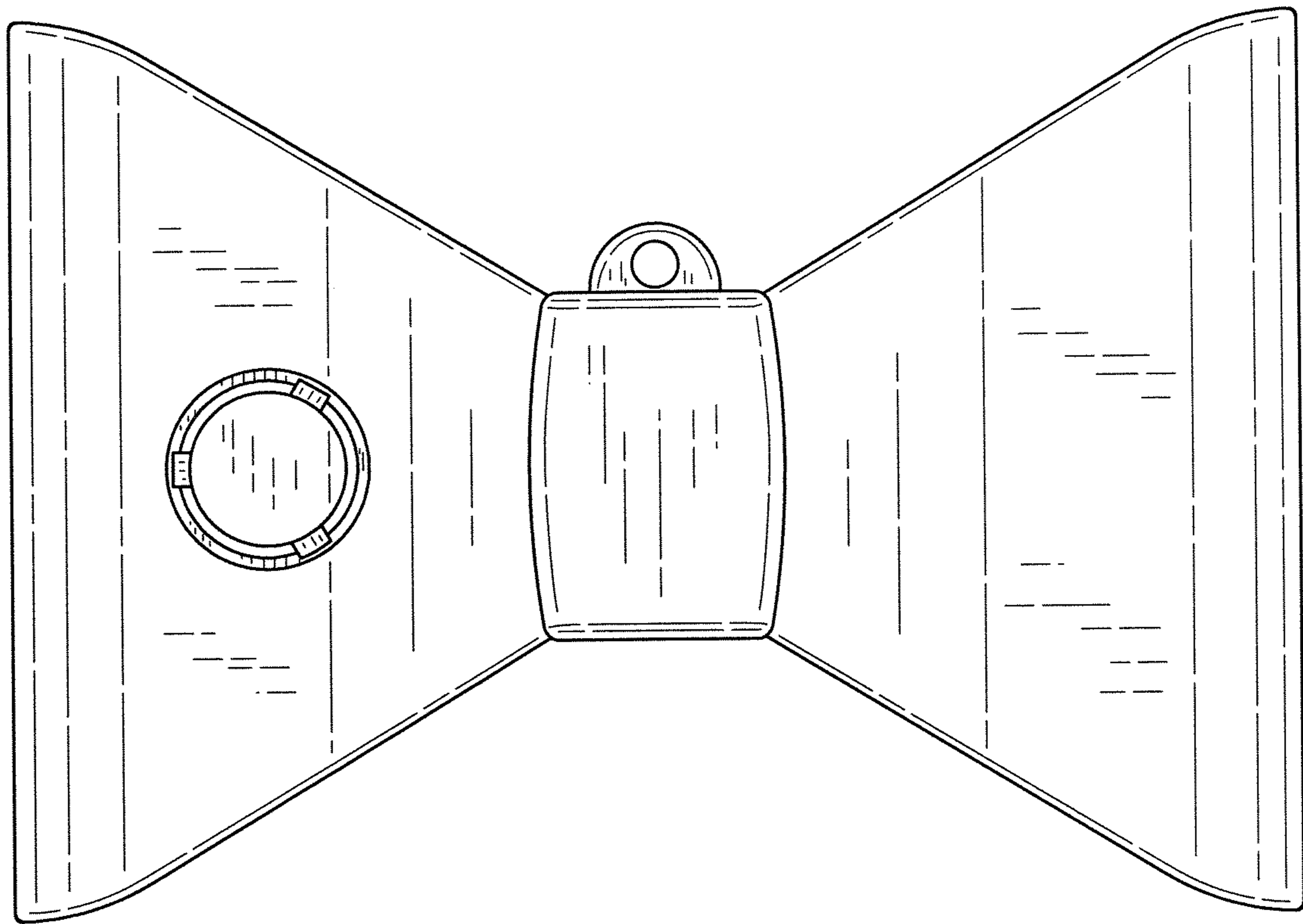


FIG.3



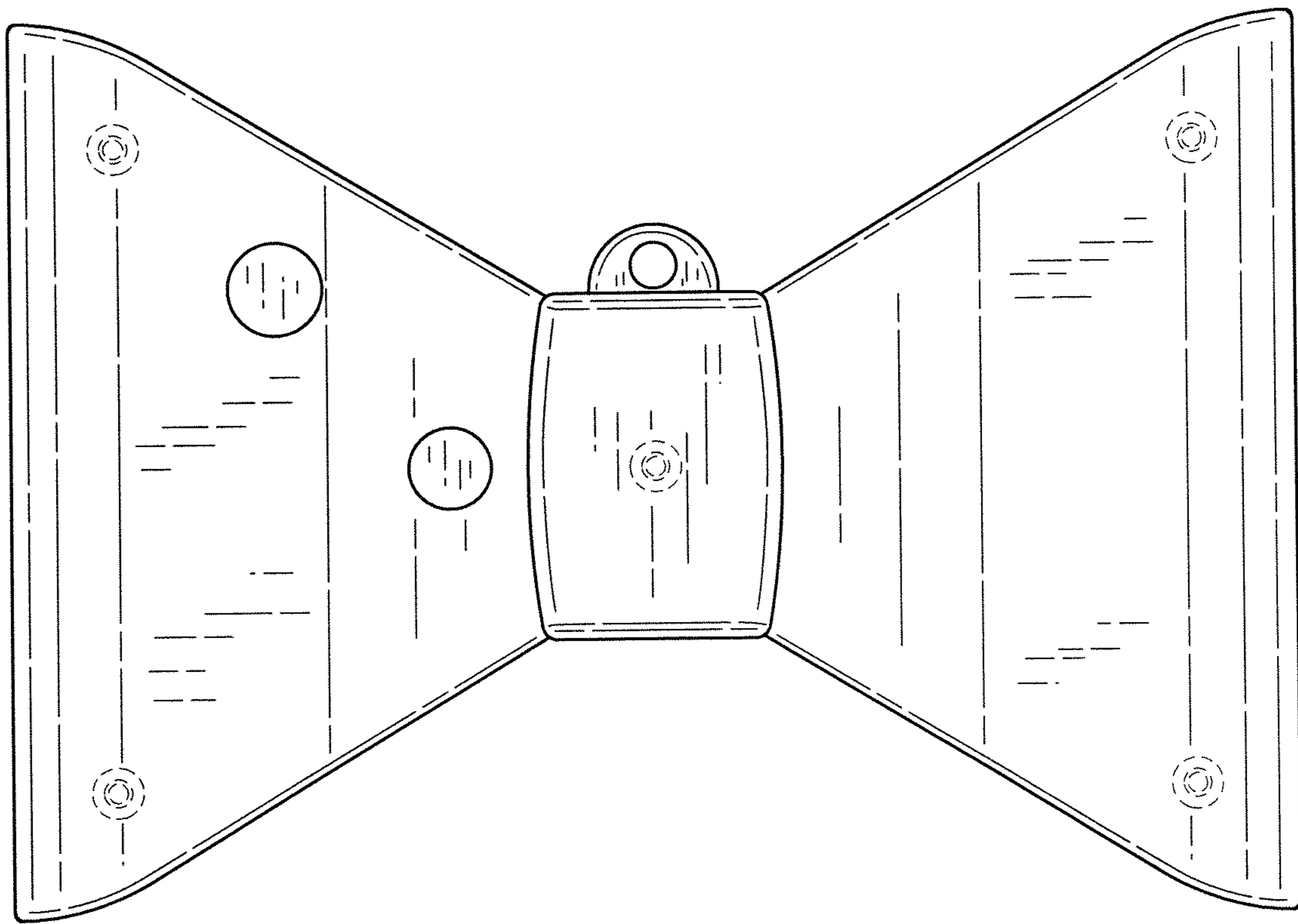


FIG.4

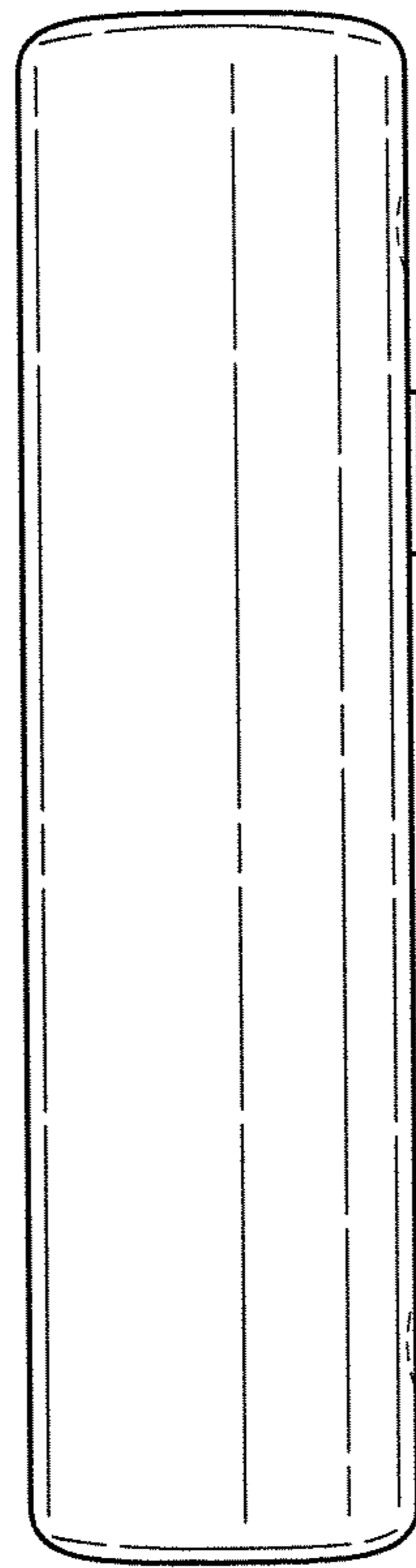


FIG.5

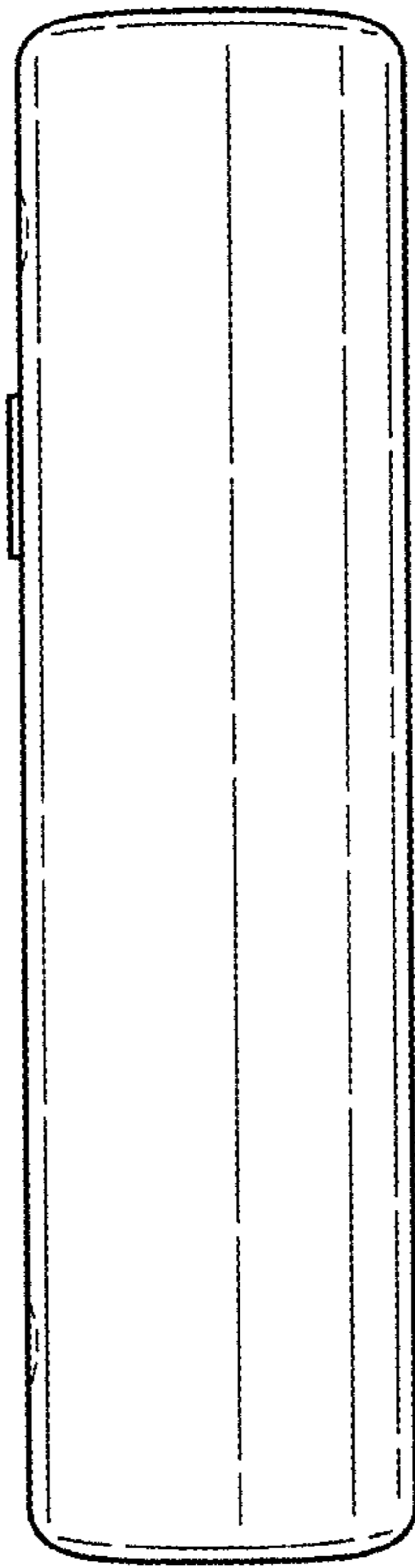


FIG.6



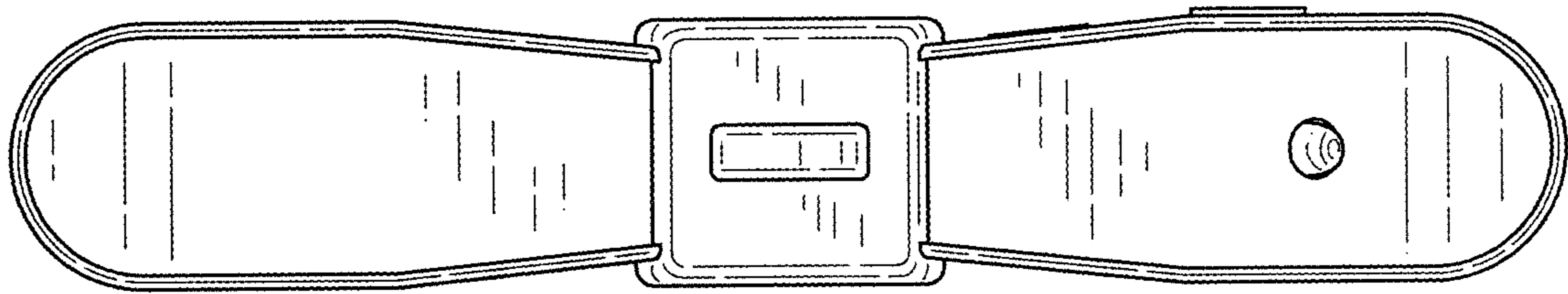


FIG. 7

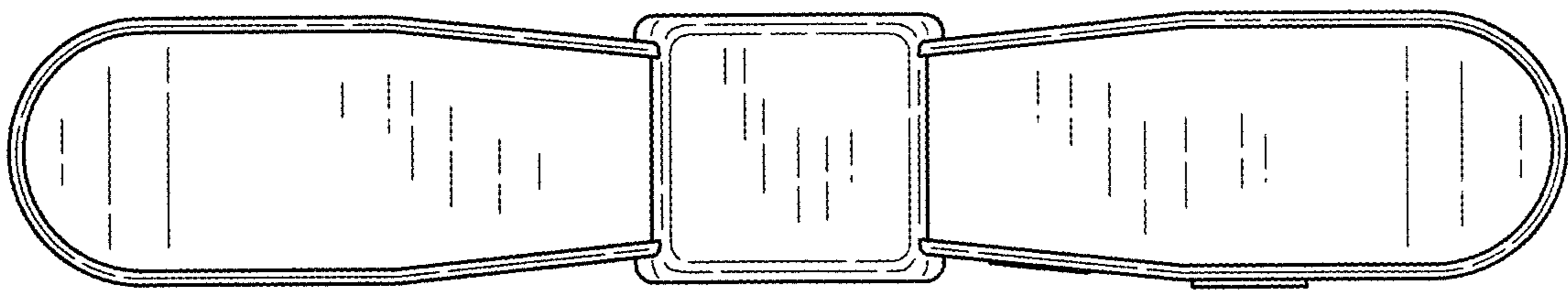


FIG. 8

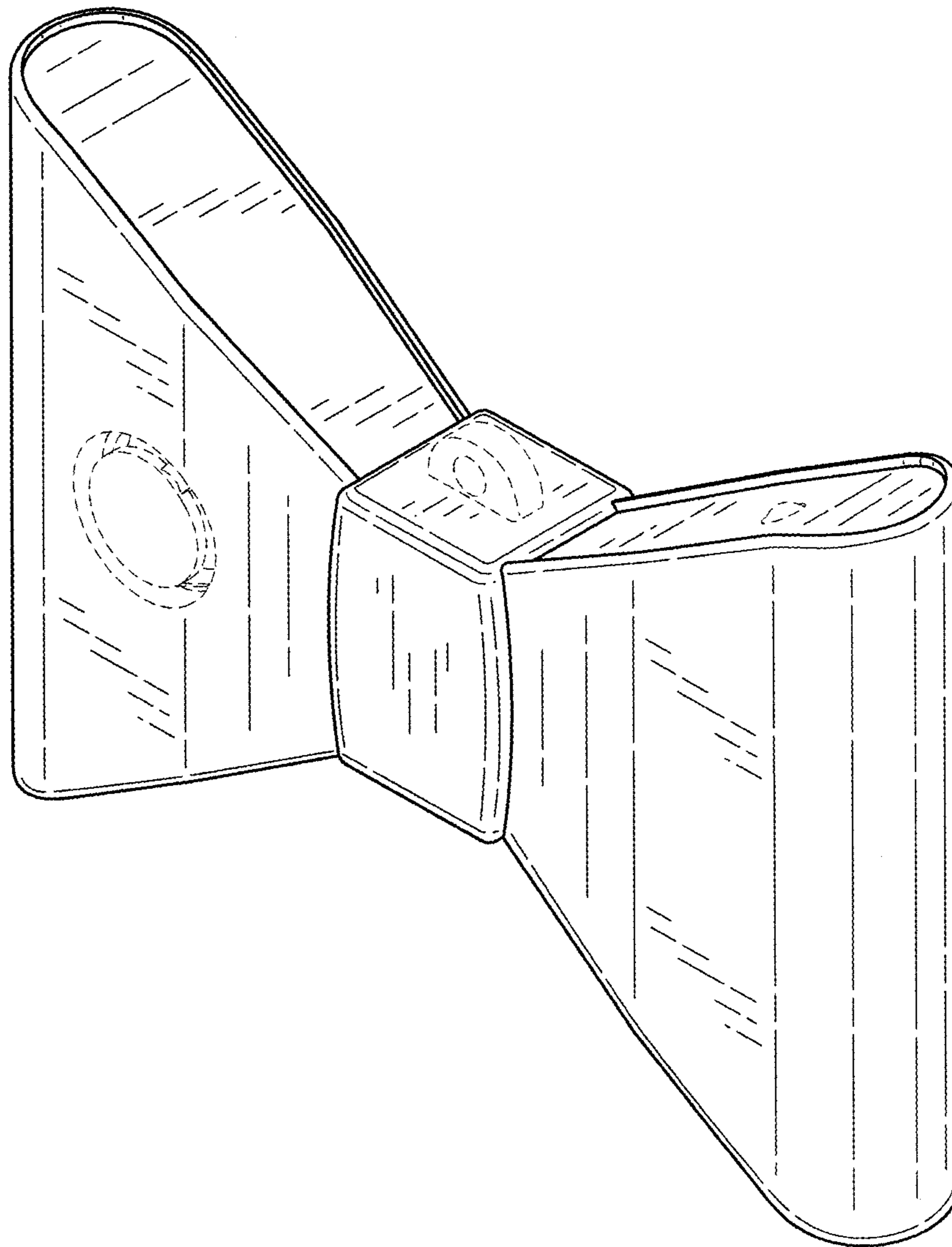


FIG.9

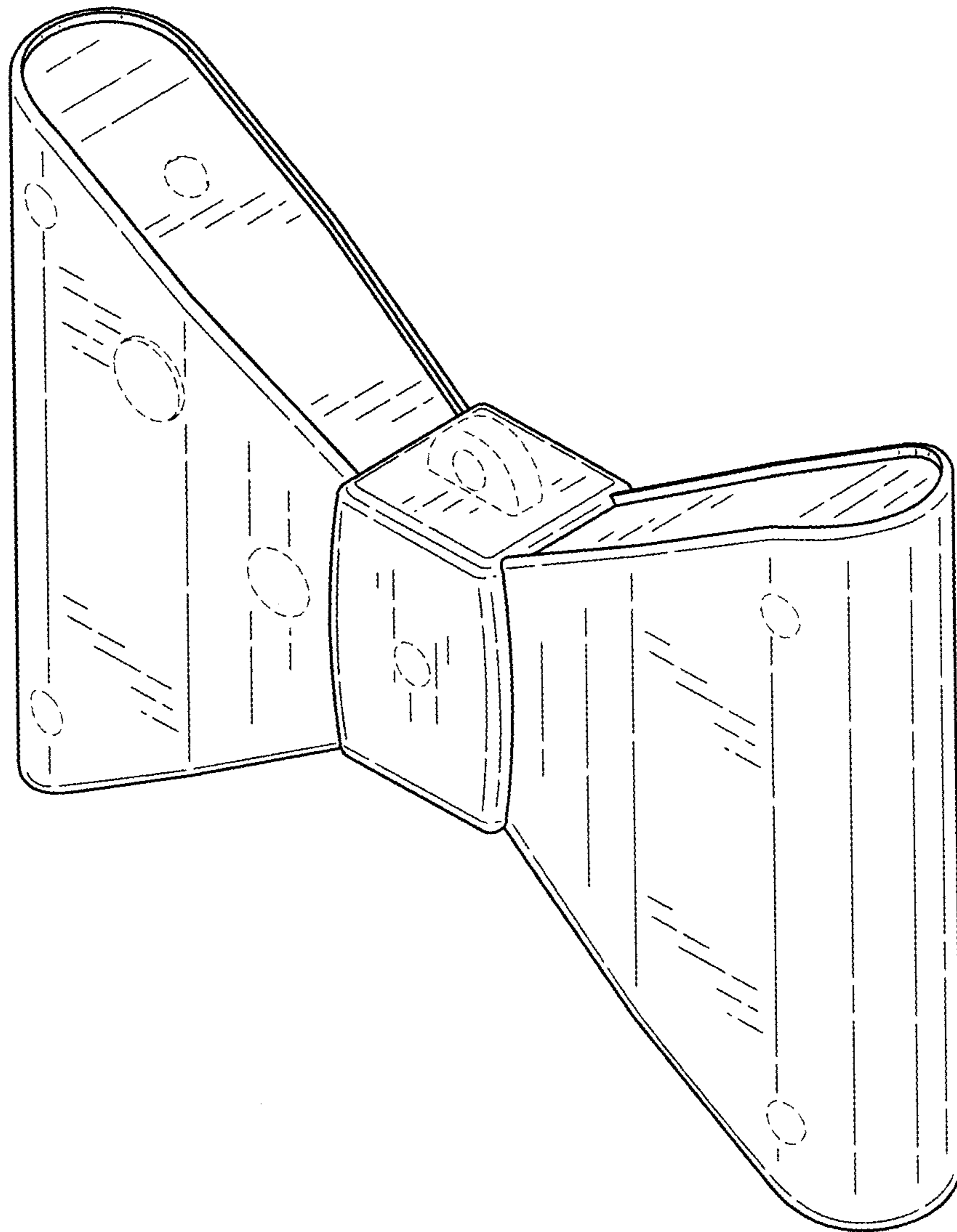


FIG. 10

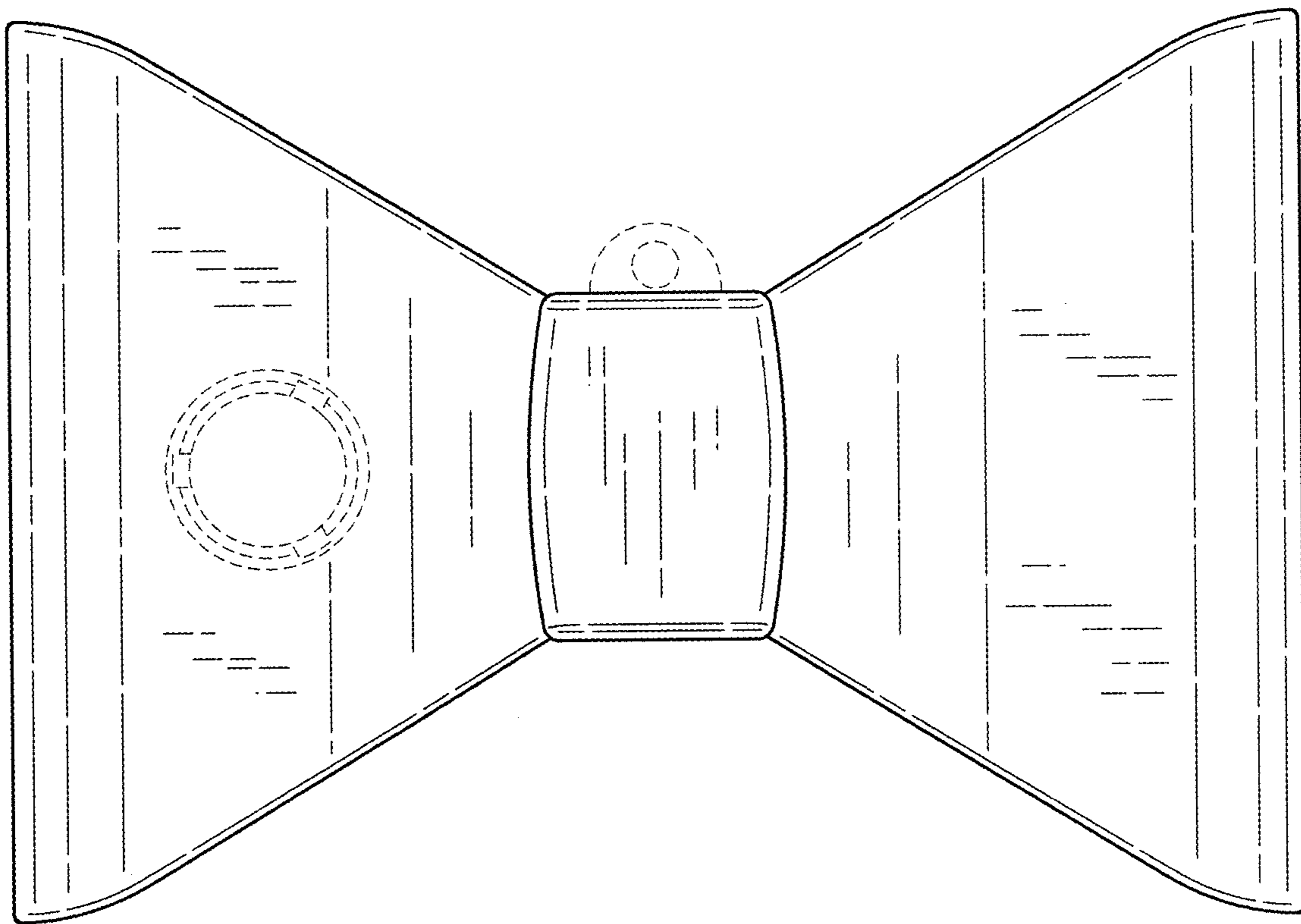


FIG.11

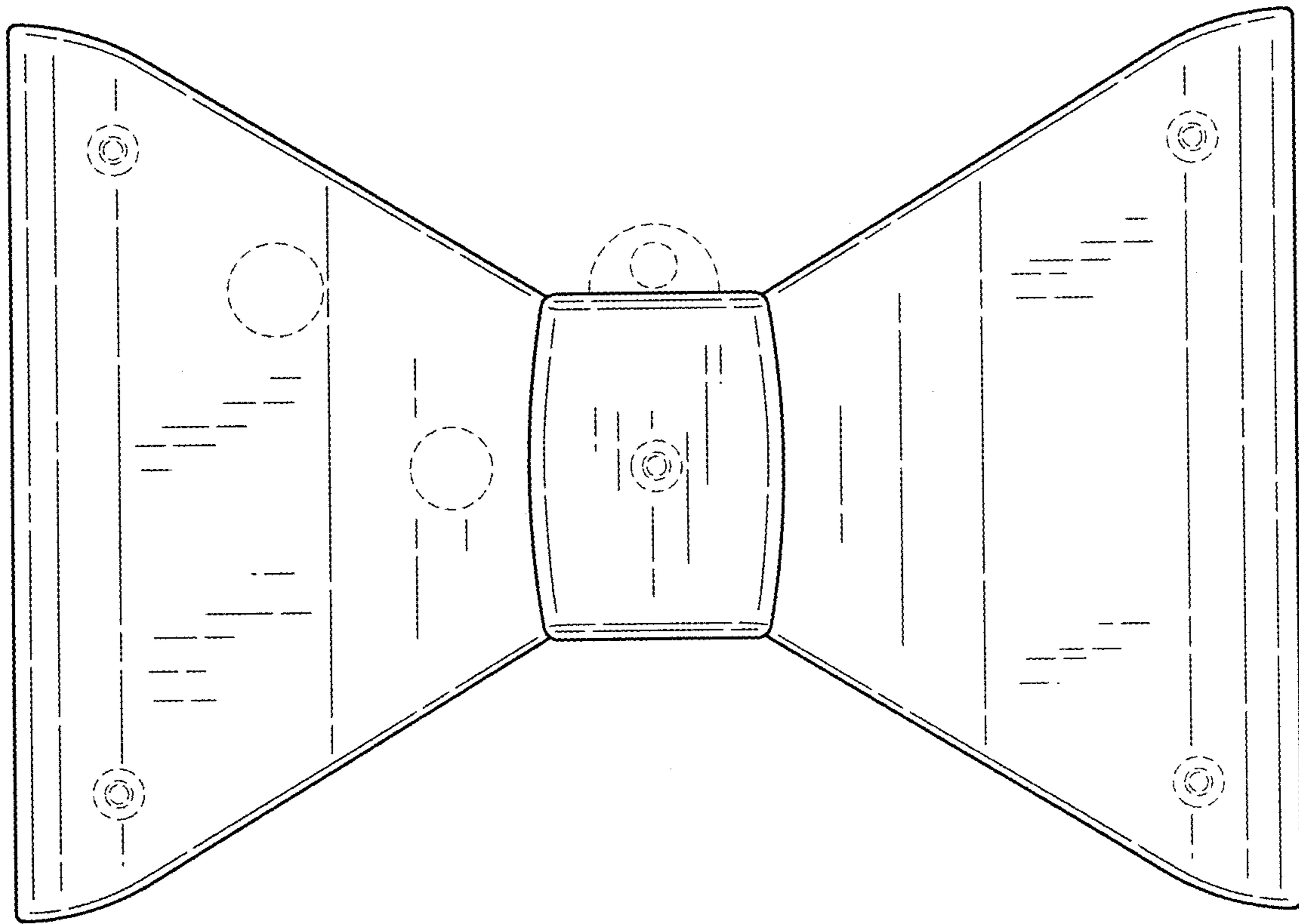


FIG.12

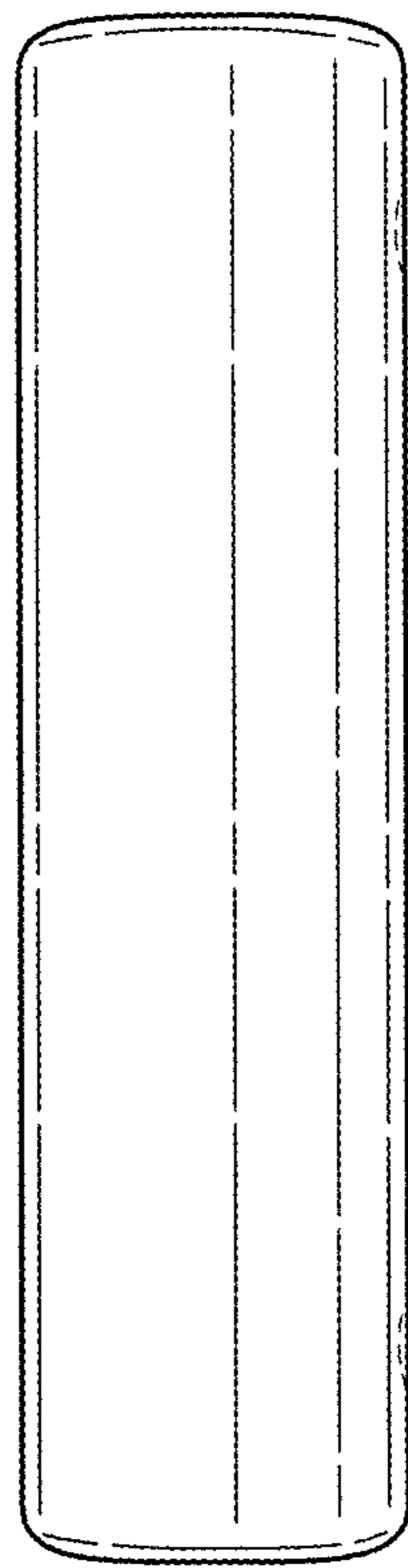


FIG.13



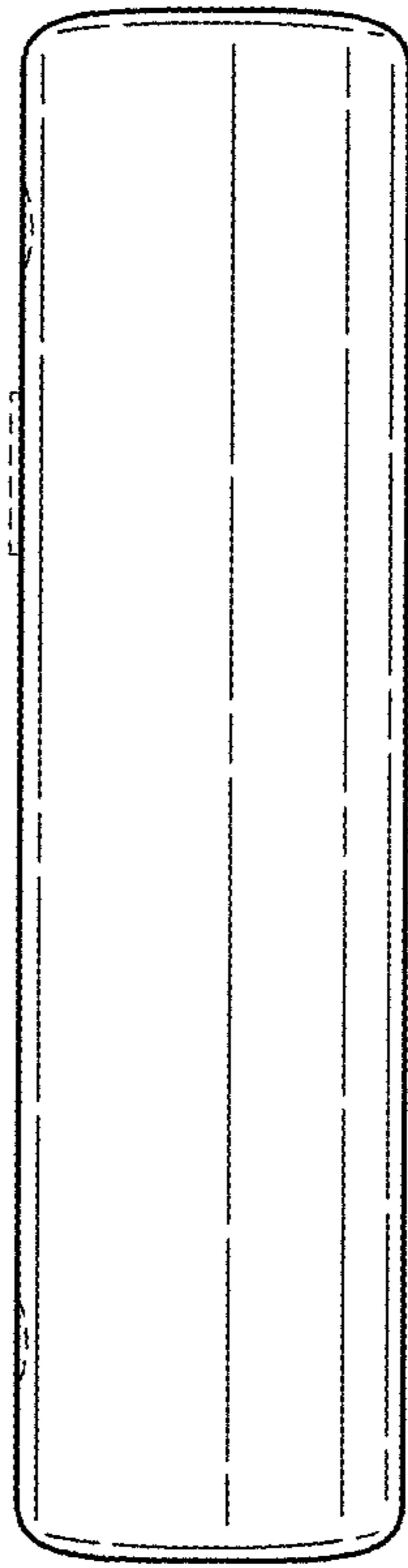


FIG.14

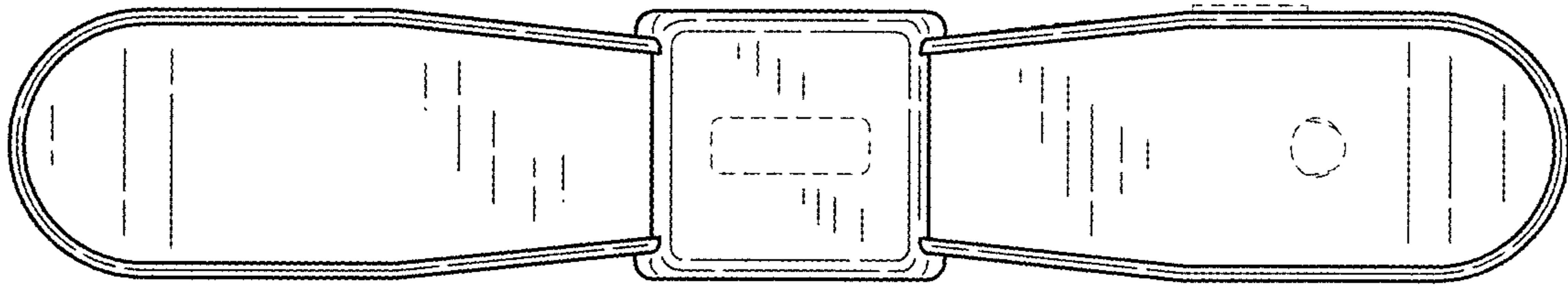


FIG. 15

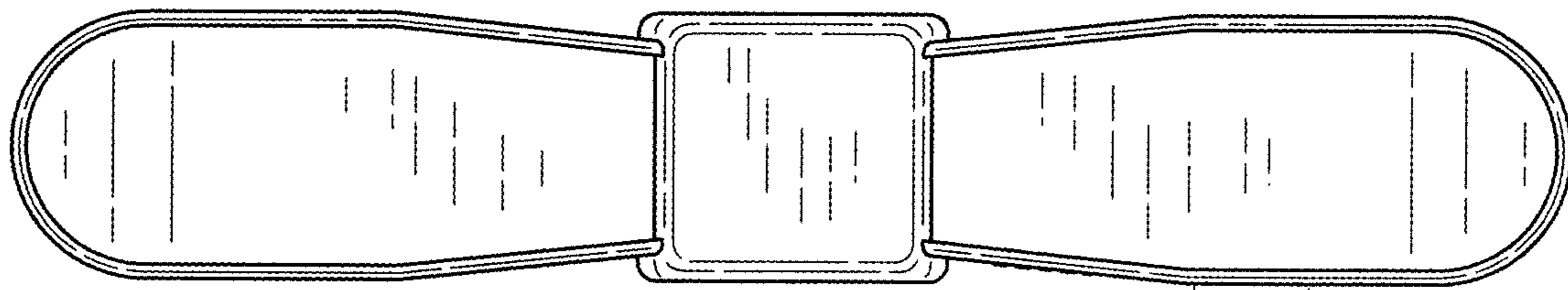


FIG. 16