



US00D913132S

(12) **United States Design Patent**  
**Yokino et al.**

(10) **Patent No.:** **US D913,132 S**  
(45) **Date of Patent:** **\*\* Mar. 16, 2021**

- (54) **SPECTROMETER**
- (71) Applicant: **HAMAMATSU PHOTONICS K.K.**,  
Hamamatsu (JP)
- (72) Inventors: **Takafumi Yokino**, Hamamatsu (JP);  
**Katsumi Shibayama**, Hamamatsu (JP);  
**Katsuhiko Kato**, Hamamatsu (JP)
- (73) Assignee: **HAMAMATSU PHOTONICS K.K.**,  
Hamamatsu (JP)
- (\*\*) Term: **15 Years**
- (21) Appl. No.: **29/705,042**
- (22) Filed: **Sep. 9, 2019**

- D603,729 S 11/2009 Shibayama
- D603,730 S 11/2009 Shibayama
- D603,731 S 11/2009 Shibayama
- D677,185 S 3/2013 Zhou et al.
- D711,265 S 8/2014 Antonczak
- 8,812,070 B2 8/2014 Jossart et al.
- D748,510 S 2/2016 Zhou et al.
- D763,959 S 8/2016 Lee et al.
- D767,652 S 9/2016 Schonherr et al.
- D796,359 S 9/2017 White et al.

(Continued)

**Related U.S. Application Data**

- (60) Division of application No. 29/627,946, filed on Nov. 30, 2017, now Pat. No. Des. 880,323, which is a continuation of application No. 35/501,554, filed on Mar. 15, 2016 (U.S. filing date under 35 U.S.C. 384), and having an international filing date of Mar. 15, 2016, now Pat. No. Des. 812,502.
- (51) **LOC (13) Cl.** ..... **10-04**
- (52) **U.S. Cl.**  
USPC ..... **D10/81**
- (58) **Field of Classification Search**  
USPC ..... D10/47, 81, 104.1, 158; D13/159, 160  
CPC ..... G01B 1/00; G01J 3/0256; G01N 21/67  
See application file for complete search history.

**References Cited**

**U.S. PATENT DOCUMENTS**

- 4,687,329 A 8/1987 Schultz
- 5,166,755 A 11/1992 Gat
- D347,396 S 5/1994 Ohnuma et al.
- D557,156 S 12/2007 Kon
- D603,280 S 11/2009 Shibayama

**OTHER PUBLICATIONS**

Notice of Allowance dated Jan. 7, 2020 in U.S. Appl. No. 29/710,159.  
Office Action dated Sep. 13, 2019 in U.S. Appl. No. 29/635,668.

*Primary Examiner* — Michael C Stout  
*Assistant Examiner* — Fritzgerald L Butac

(74) *Attorney, Agent, or Firm* — Faegre Drinker Riddle & Reath LLP

(57) **CLAIM**

The ornamental design for a spectrometer, as shown and described.

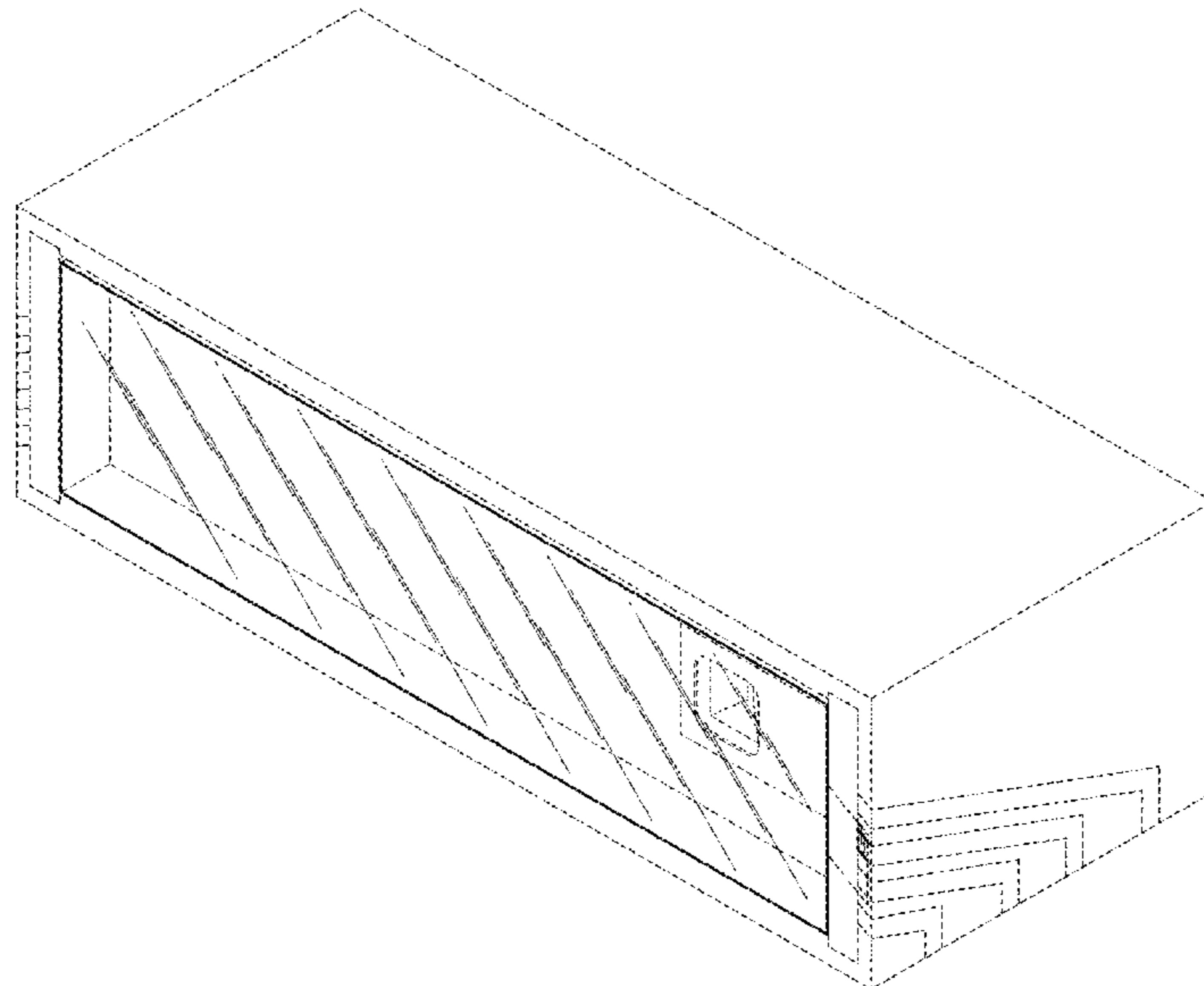
**DESCRIPTION**

FIG. 1 is a perspective view of a spectrometer;  
FIG. 2 is a front view of the spectrometer of FIG. 1;  
FIG. 3 is a back view of the spectrometer of FIG. 1;  
FIG. 4 is a top view of the spectrometer of FIG. 1;  
FIG. 5 is a bottom view of the spectrometer of FIG. 1;  
FIG. 6 is a left view of the spectrometer of FIG. 1;  
FIG. 7 is a right view of the spectrometer of FIG. 1; and,  
FIG. 8 is a sectional view taken along the line 8-8 of the spectrometer of FIG. 2.

The broken lines show portions of a spectrometer that form no part of the claimed design.

The dash-dot broken lines seen in FIGS. 1 and 2 show the bounds of the claimed design, and form no part thereof.

**1 Claim, 8 Drawing Sheets**



(56)

**References Cited**

U.S. PATENT DOCUMENTS

D802,050	S	11/2017	Kawai et al.	
D805,934	S	* 12/2017	Yokino .....	D10/81
D805,935	S	12/2017	Yokino et al.	
D805,936	S	12/2017	Yokino et al.	
D812,502	S	3/2018	Yokino et al.	
D821,902	S	7/2018	Hirose et al.	
D821,903	S	7/2018	Hirose et al.	
D825,361	S	8/2018	Hirose et al.	
D829,116	S	9/2018	Hirose et al.	
D829,117	S	9/2018	Hirose et al.	
D829,577	S	10/2018	Hirose et al.	
D829,579	S	10/2018	Hirose et al.	
D829,581	S	10/2018	Hirose et al.	
D839,116	S	* 1/2019	Hirose .....	D10/81
D839,117	S	* 1/2019	Hirose .....	D10/81

\* cited by examiner

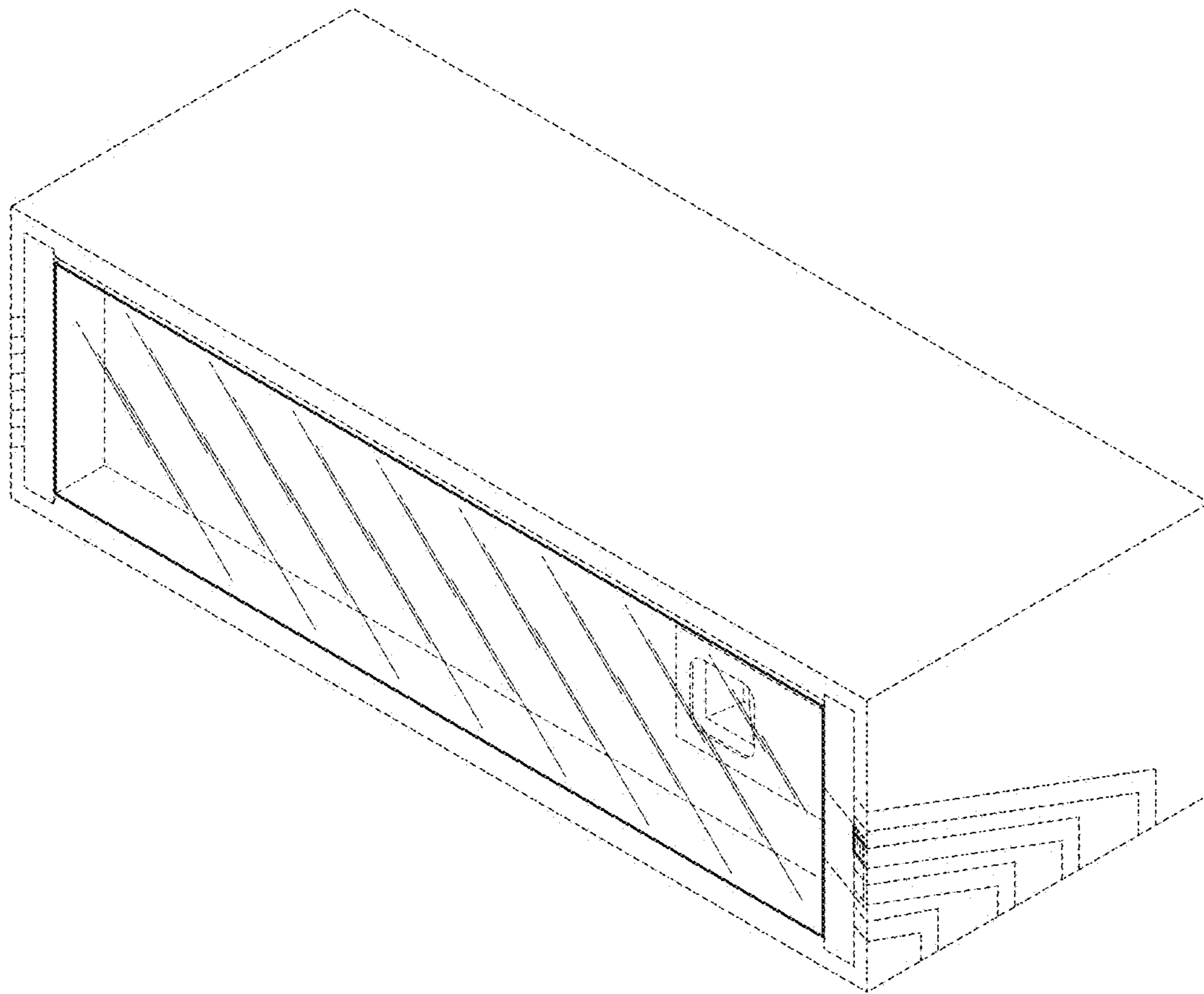


FIG. 1

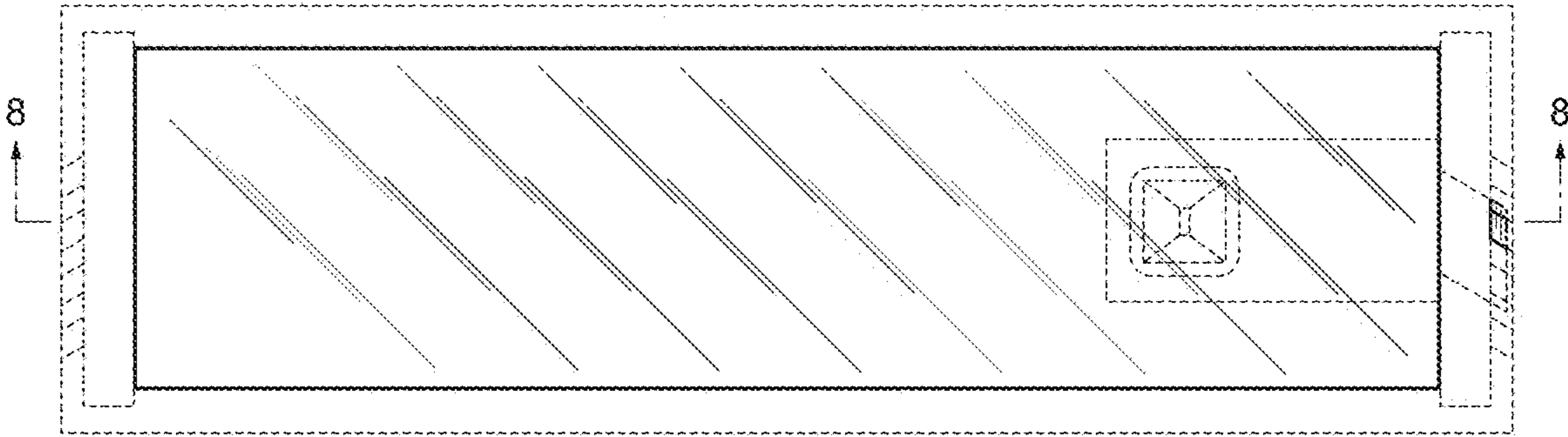


FIG. 2



**FIG. 3**



FIG. 4

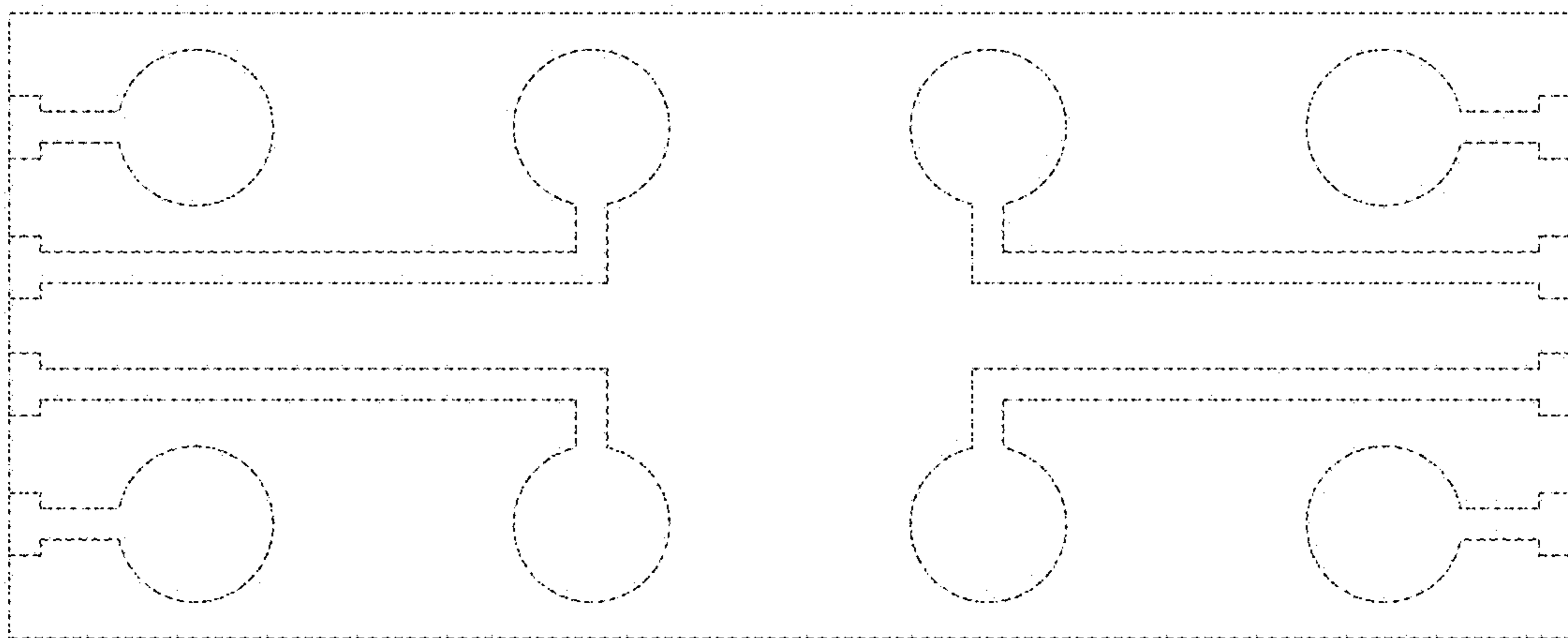


FIG. 5

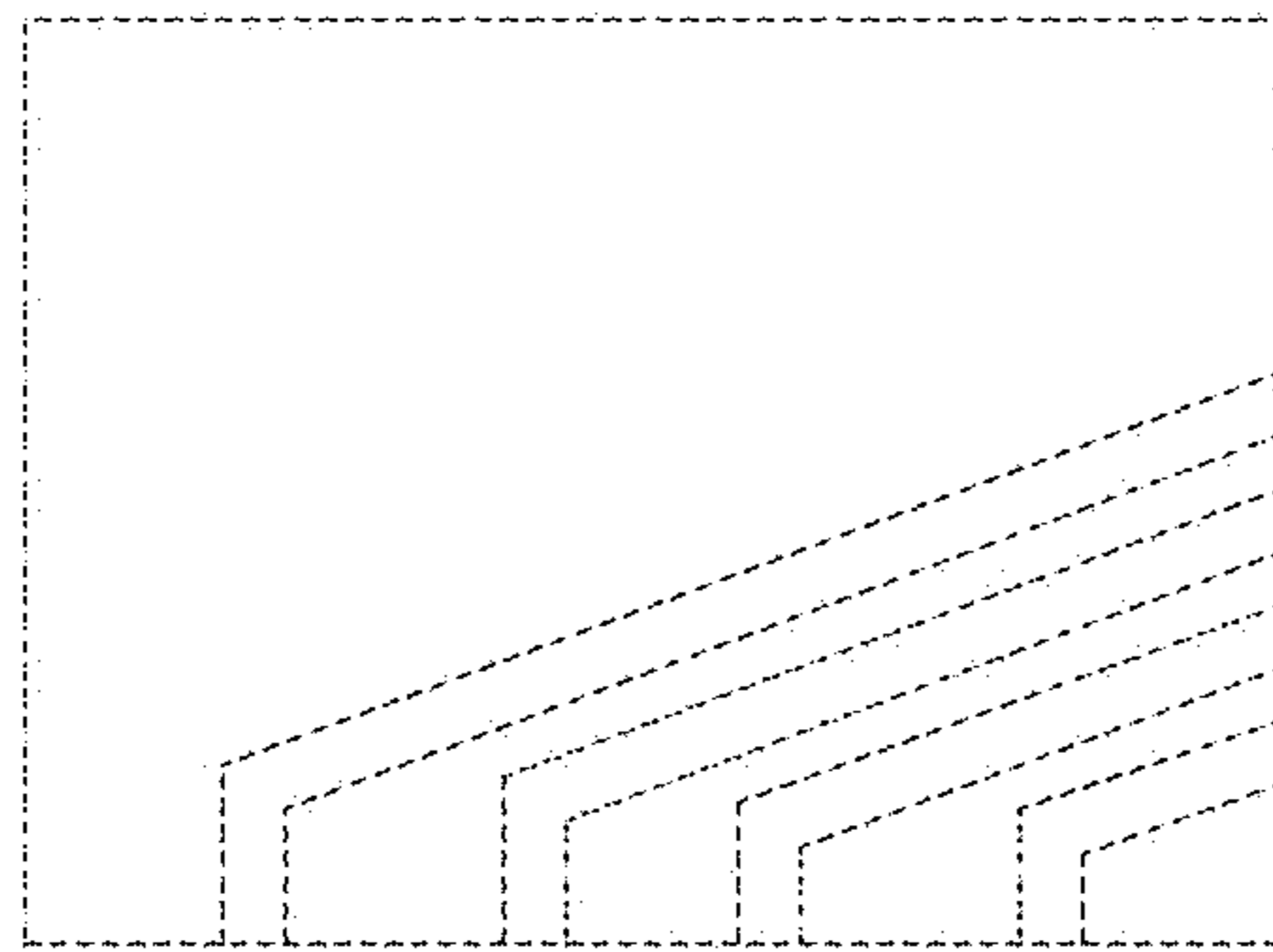


FIG. 6



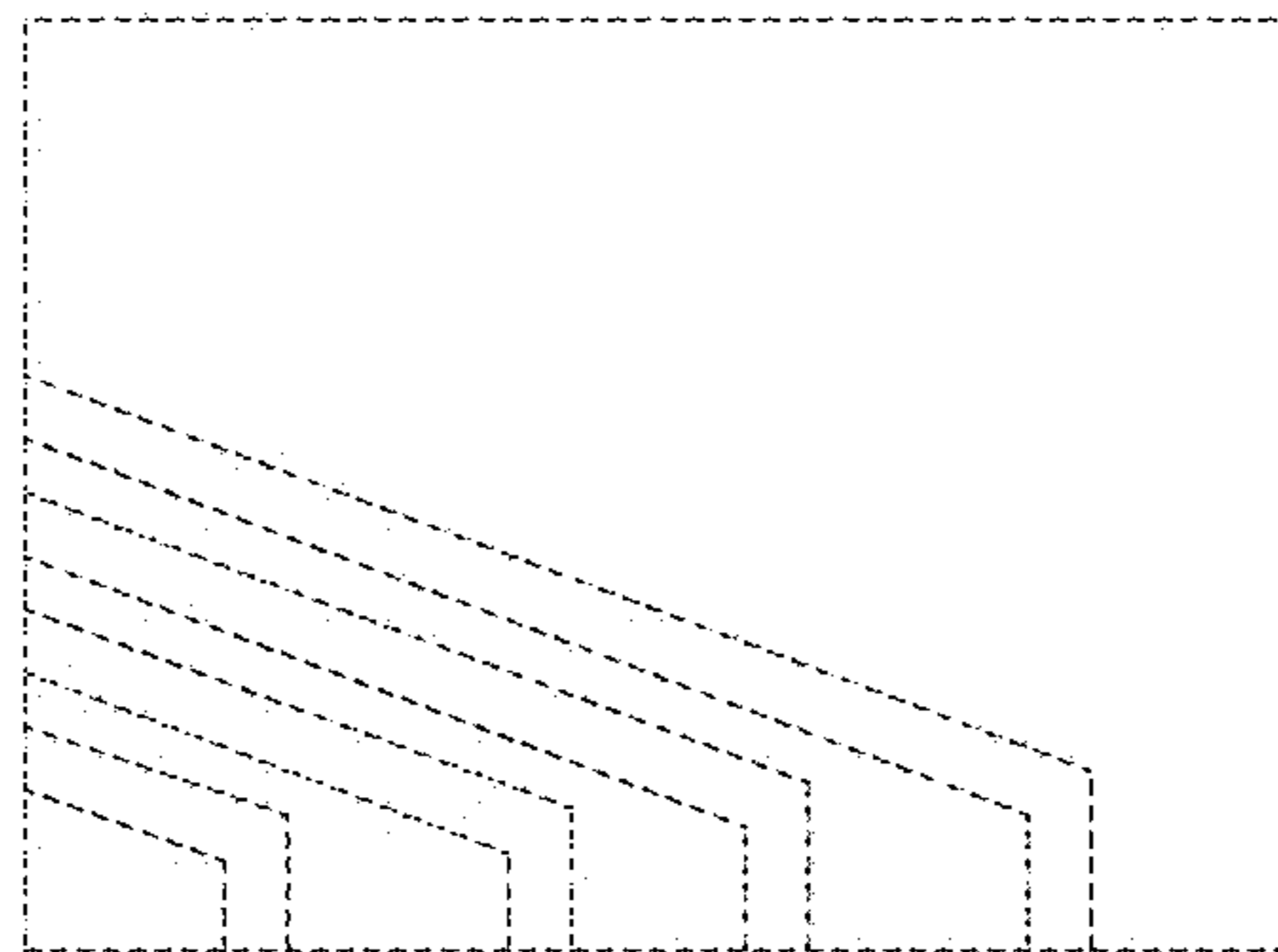


FIG. 7

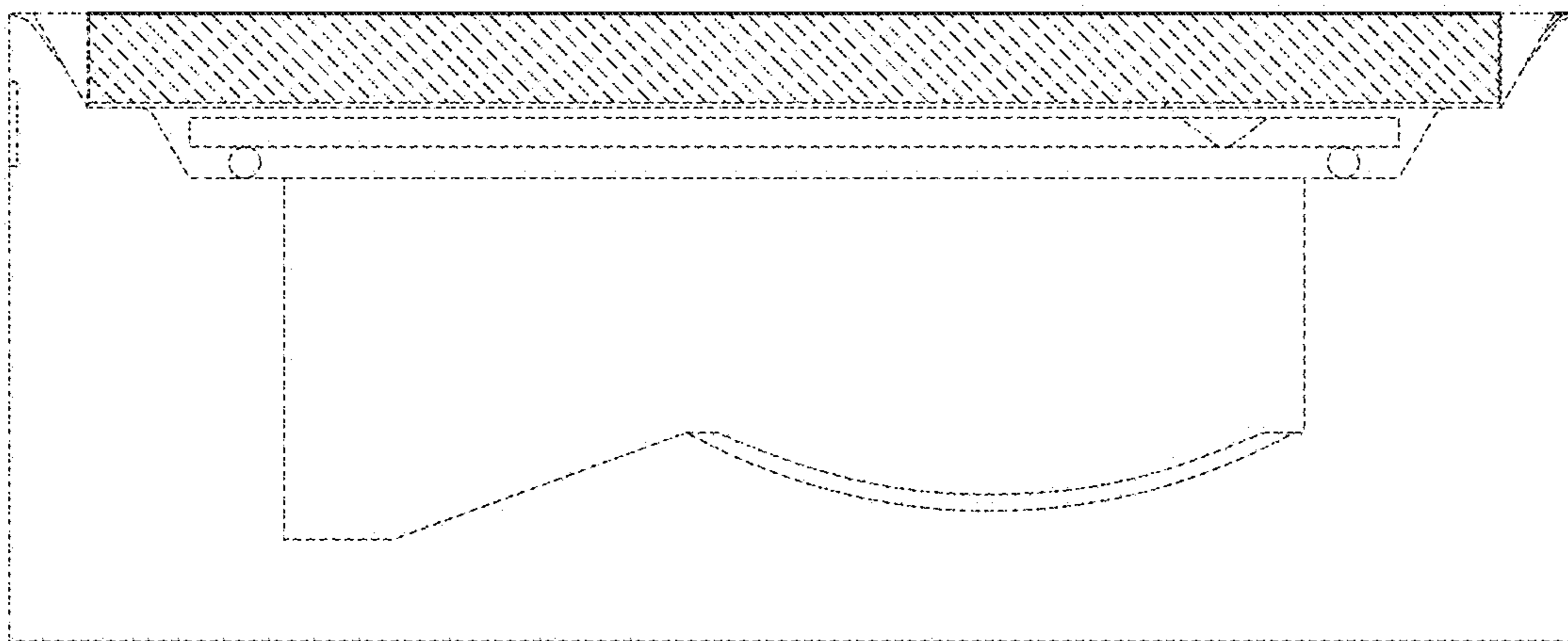


FIG. 8