



US00D913131S

(12) **United States Design Patent** (10) **Patent No.:** **US D913,131 S**
Silberberg (45) **Date of Patent:** **** Mar. 16, 2021**

(54) **MAGNETIC LEVEL**

(71) Applicant: **Mark L. Silberberg**, Boerne, TX (US)

(72) Inventor: **Mark L. Silberberg**, Boerne, TX (US)

(**) Term: **15 Years**

(21) Appl. No.: **29/743,324**

(22) Filed: **Jul. 21, 2020**

(51) **LOC (13) Cl.** **10-04**

(52) **U.S. Cl.**
 USPC **D10/69**

(58) **Field of Classification Search**
 USPC D10/69
 CPC ... G01C 9/24; G01C 9/26; G01C 9/28; G01C 9/30; G01C 9/32; G01C 9/34; G01C 9/36
 See application file for complete search history.

9,151,606 B2	10/2015	Silberberg	
9,360,315 B2	6/2016	Silberberg	
9,551,574 B2	1/2017	Silberberg	
9,909,869 B1 *	3/2018	Lovelady, III	G01C 9/34
D896,110 S *	9/2020	Vera	G01C 9/28
			D10/69
2008/0222907 A1 *	9/2008	Silberberg	G01C 9/28
			33/379
2014/0007439 A1	1/2014	Silberberg	
2015/0096182 A1	4/2015	Silberberg	
2015/0308820 A1	10/2015	Silberberg	

* cited by examiner

Primary Examiner — Antoine Duval Davis
 (74) *Attorney, Agent, or Firm* — Volk & McElroy, LLP;
 Michael D. Volk, Jr.

(57) **CLAIM**

The ornamental design for a magnetic level, as shown.

DESCRIPTION

FIG. 1 is a perspective view of a magnetic level showing my new design.

FIG. 2 is a right side view thereof.

FIG. 3 is a left side view thereof.

FIG. 4 is a front view thereof.

FIG. 5 is a rear view thereof.

FIG. 6 is a top view thereof.

FIG. 7 is a bottom view thereof.

FIG. 8 is a perspective view of a magnetic level showing an alternate version of my new design.

FIG. 9 is a right side view thereof.

FIG. 10 is a left side view thereof.

FIG. 11 is a front view thereof.

FIG. 12 is a rear view thereof.

FIG. 13 is a top view thereof; and,

FIG. 14 is a bottom view thereof.

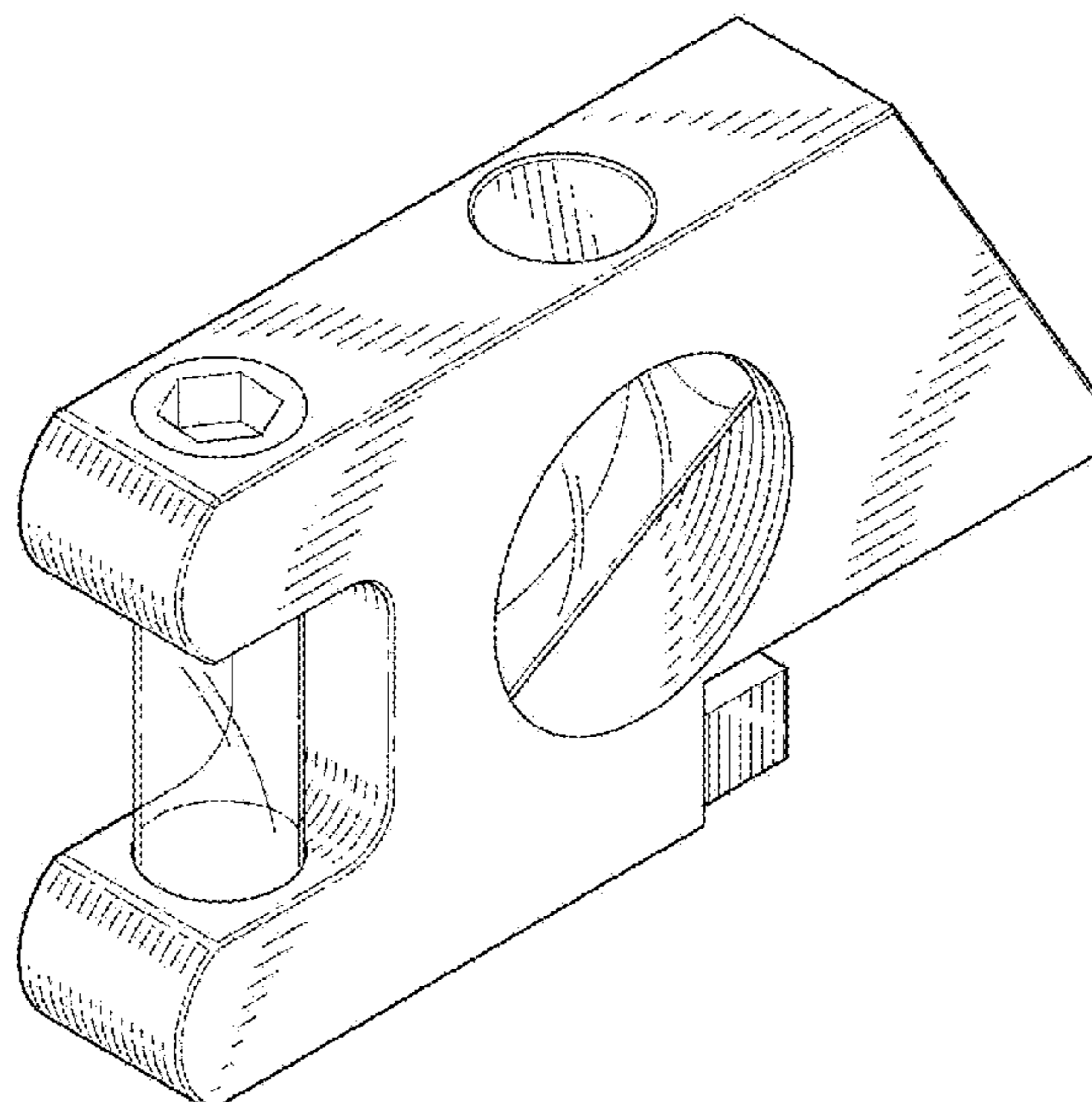
The broken lines in the drawings depict features that form no part of the claimed design.

(56) **References Cited**

U.S. PATENT DOCUMENTS

D182,773 S *	5/1958	Souter	G01C 9/34
			D10/62
D509,158 S	9/2005	Silberberg	
D538,186 S	3/2007	Silberberg	
D576,063 S	9/2008	Silberberg	
D595,165 S	6/2009	Silberberg	
D644,945 S	9/2011	Silberberg	
D644,946 S	9/2011	Silberberg	
D644,947 S	9/2011	Silberberg	
D694,136 S	11/2013	Silberberg	
D719,470 S	12/2014	Silberberg	
D722,509 S	2/2015	Silberberg	
D722,510 S	2/2015	Silberberg	
D722,511 S	2/2015	Silberberg	
D722,512 S	2/2015	Silberberg	
D722,513 S	2/2015	Silberberg	
D722,514 S	2/2015	Silberberg	
D722,897 S	2/2015	Silberberg	
D730,206 S	5/2015	Silberberg	
9,021,710 B2	5/2015	Silberberg	

1 Claim, 6 Drawing Sheets



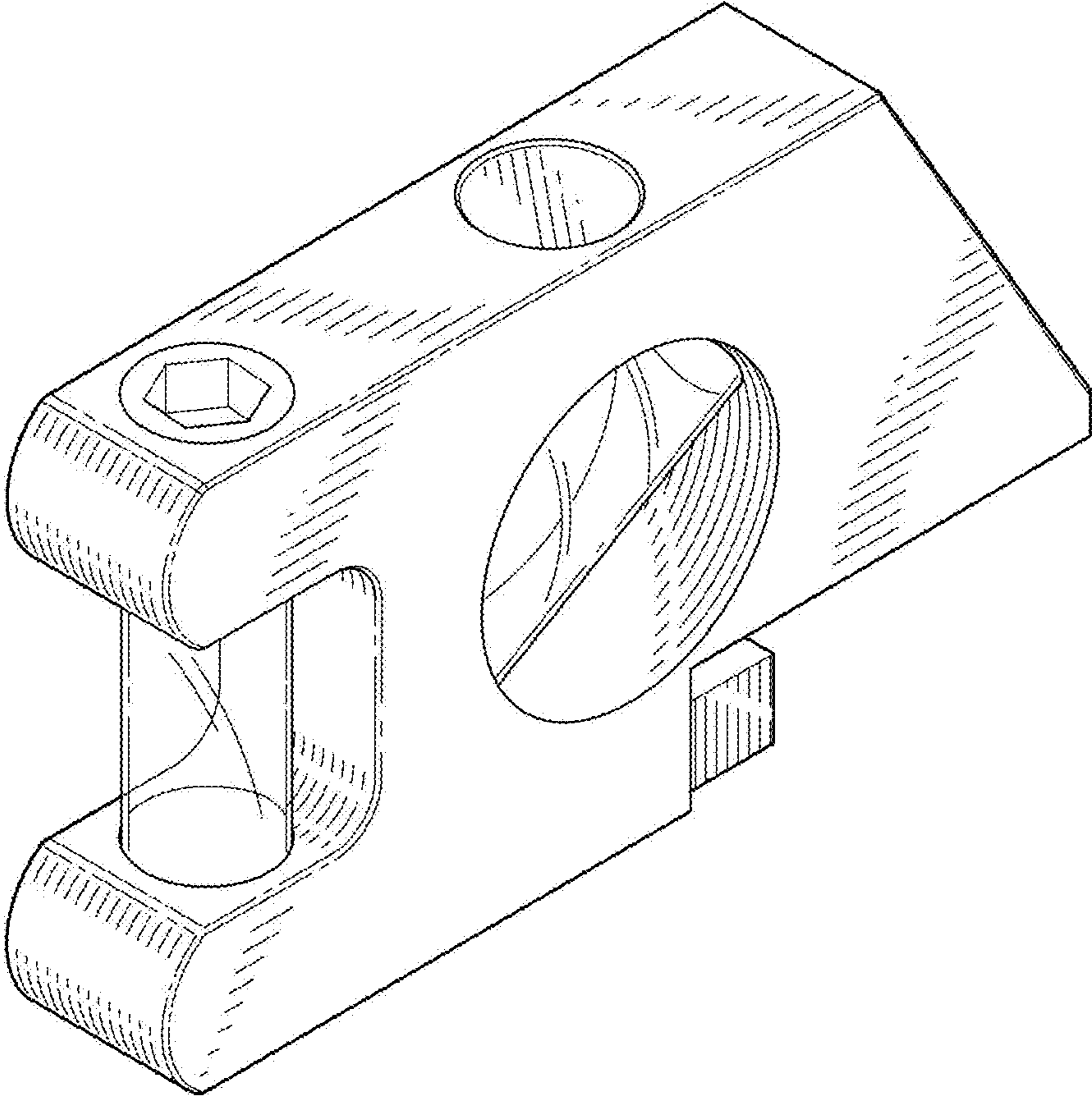


FIG. 1

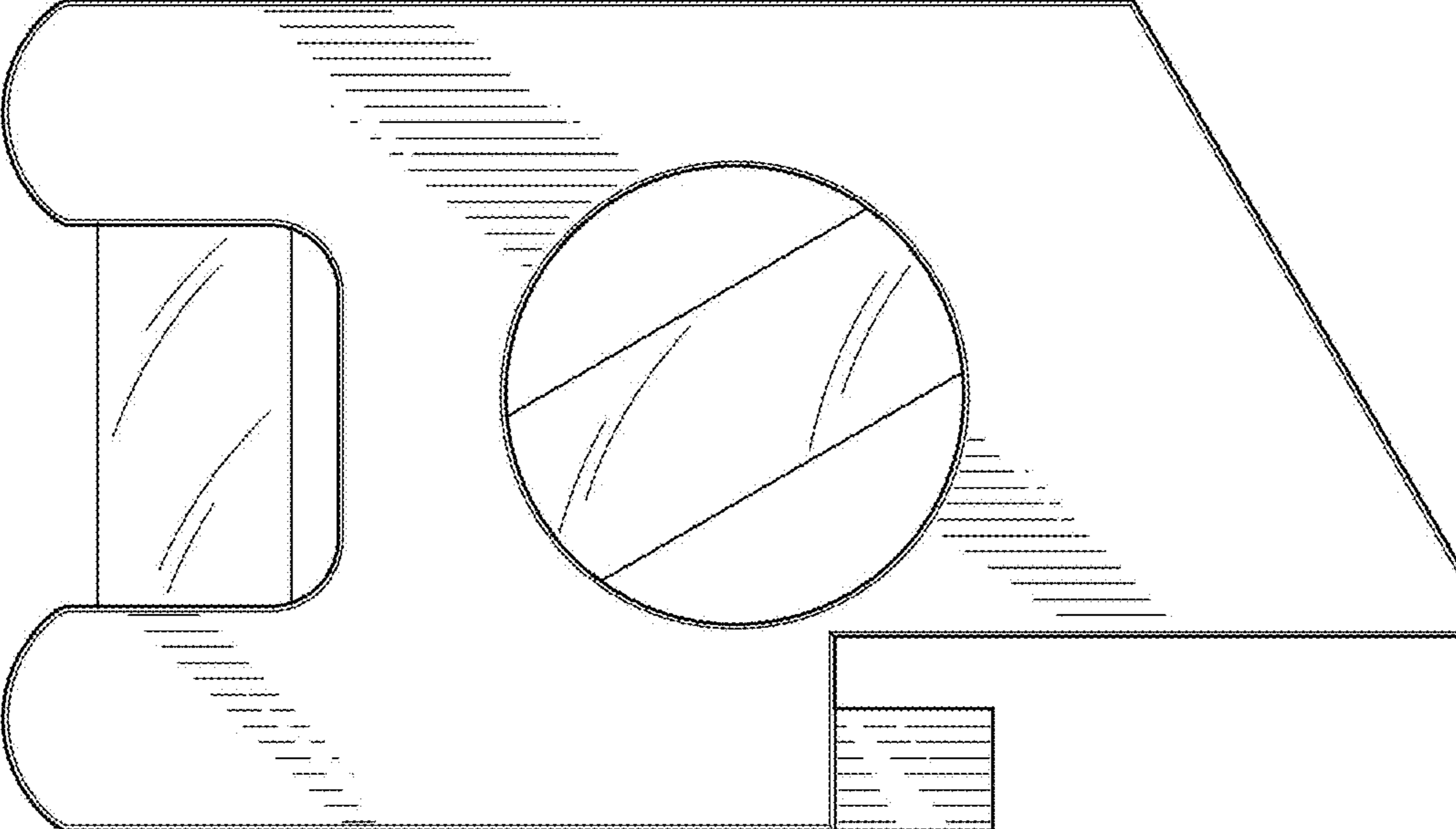


FIG. 2

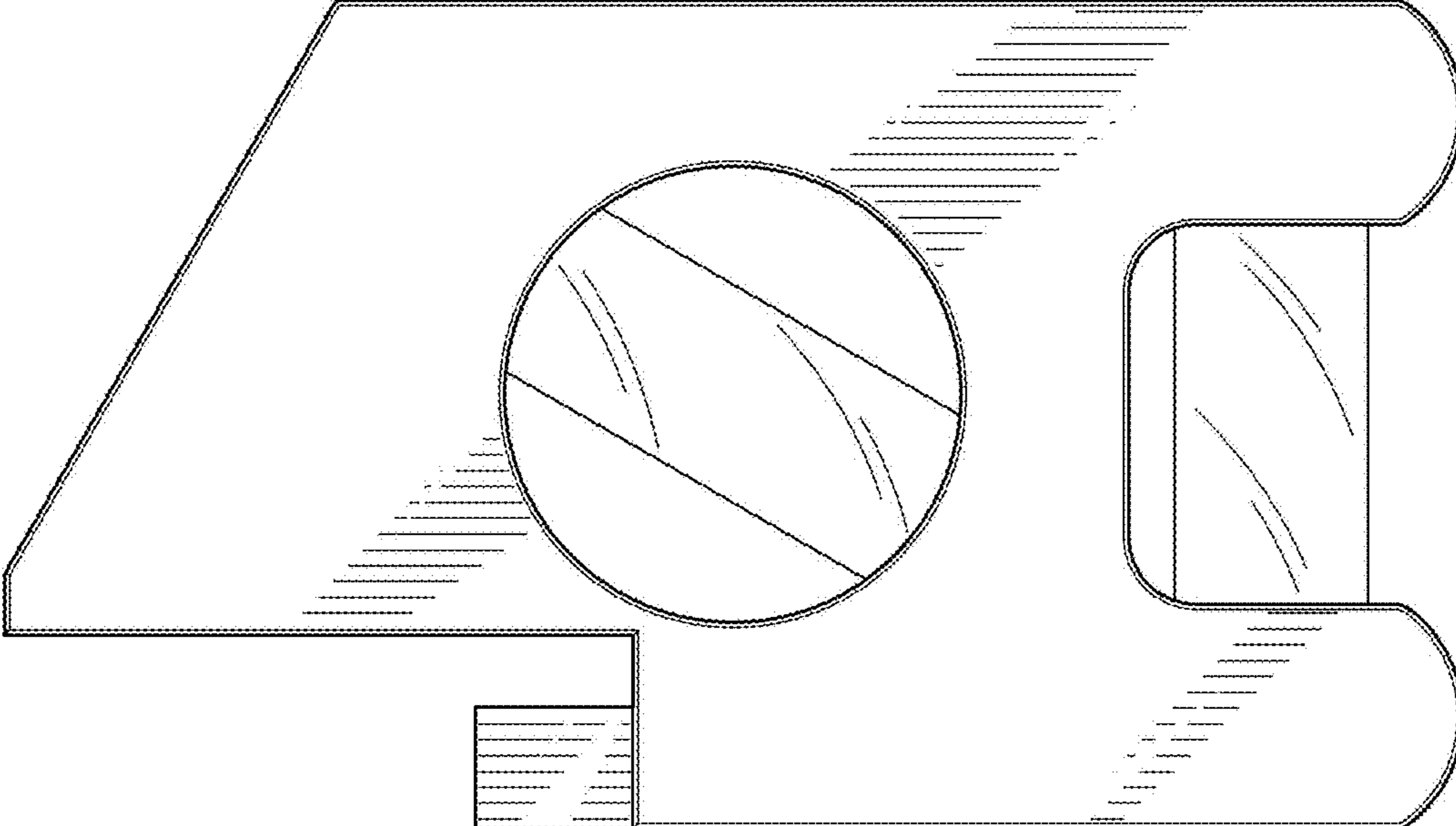


FIG. 3

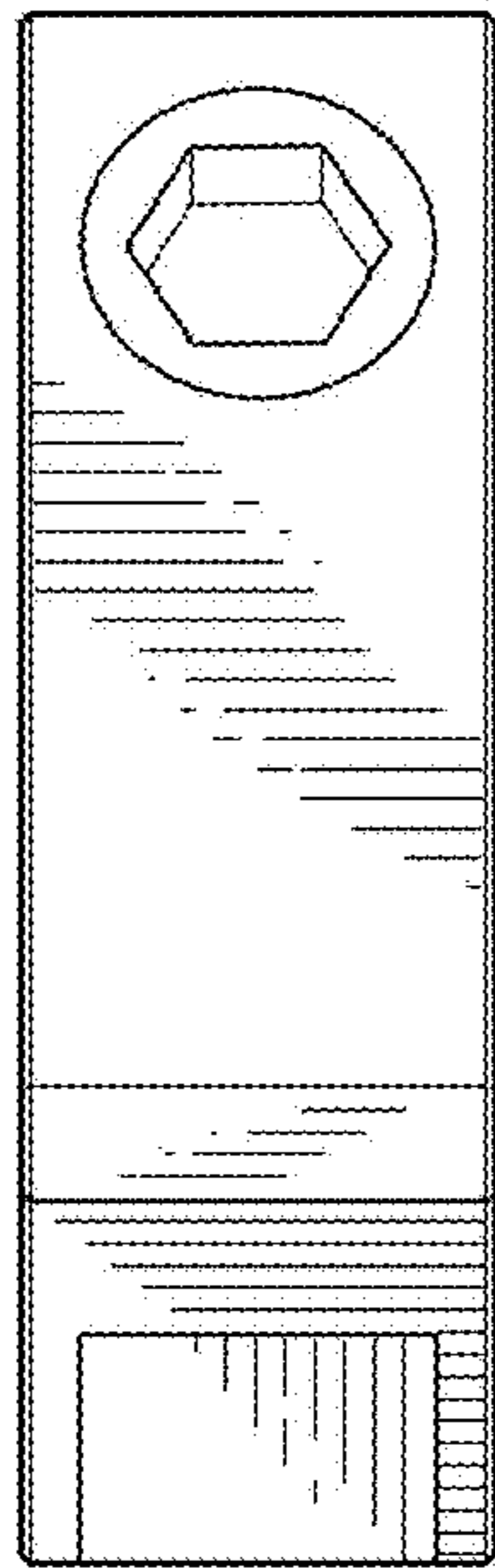


FIG. 4

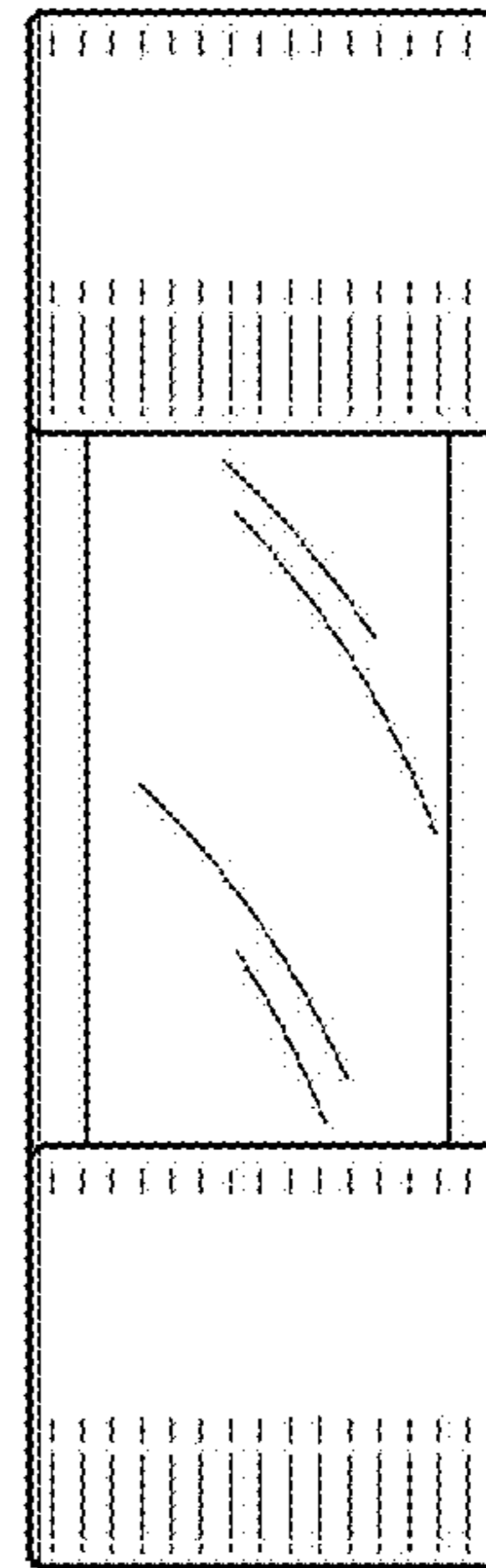


FIG. 5

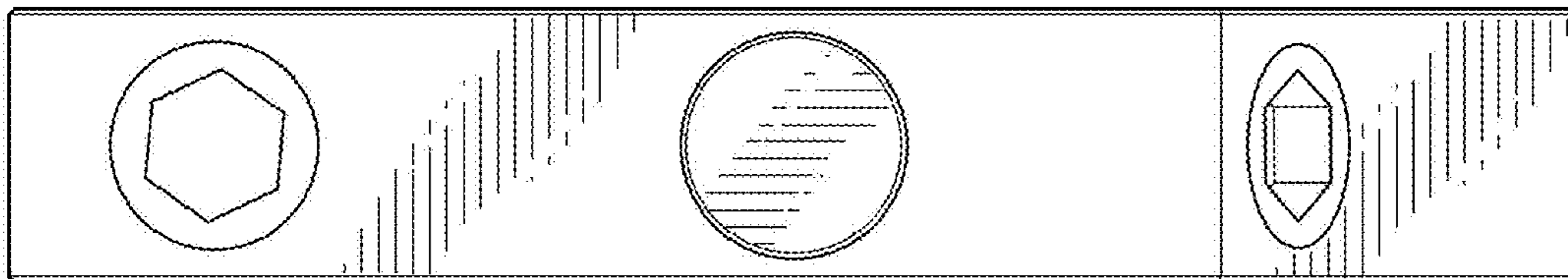


FIG. 6

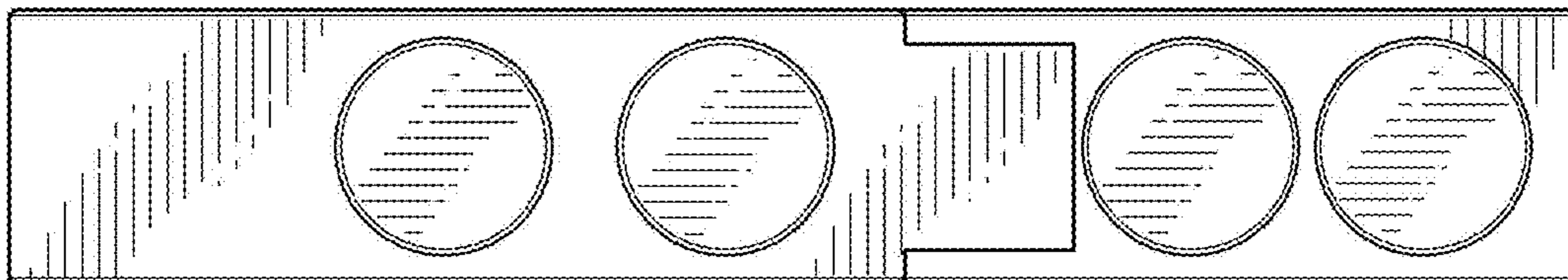


FIG. 7

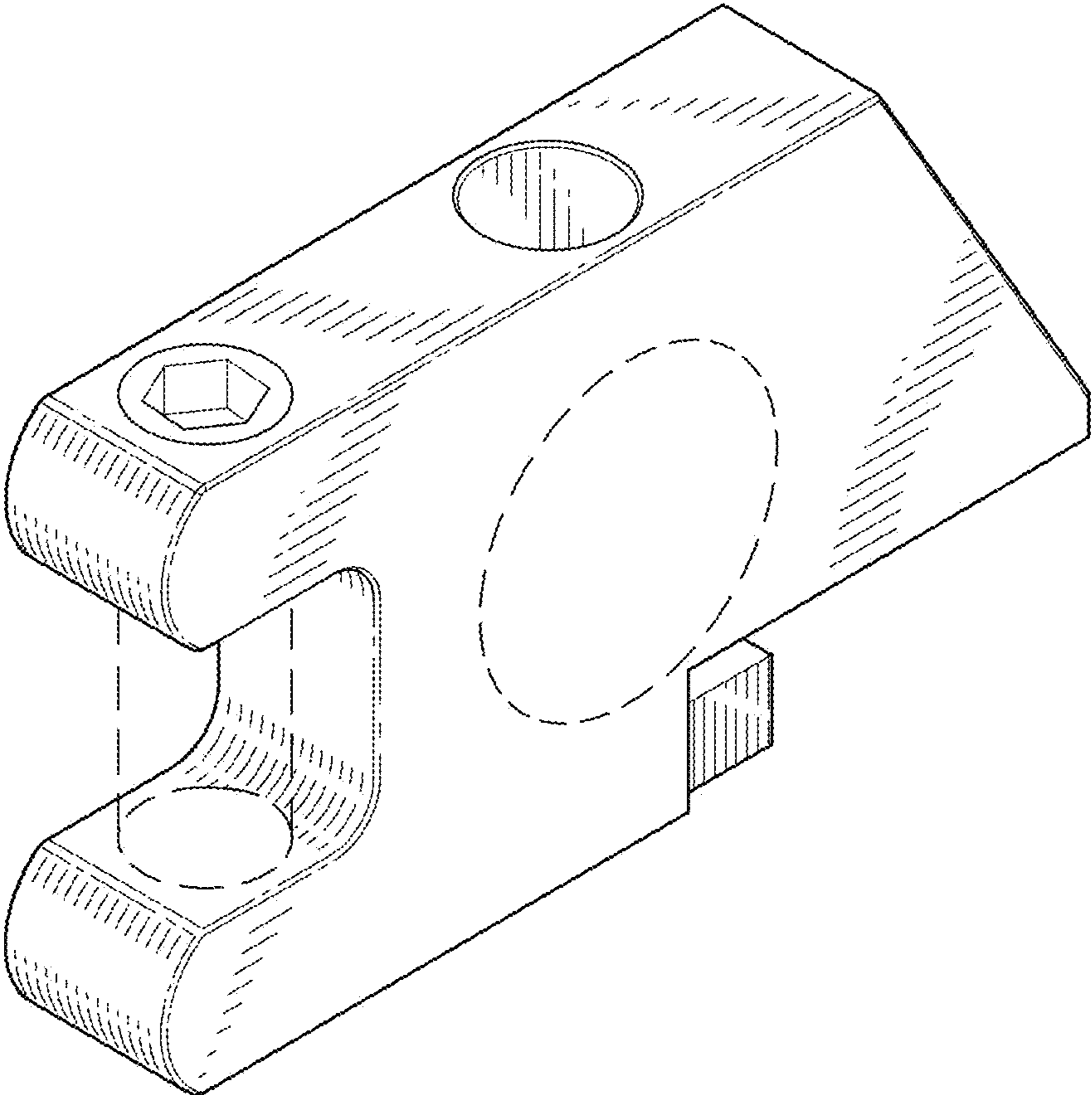


FIG. 8

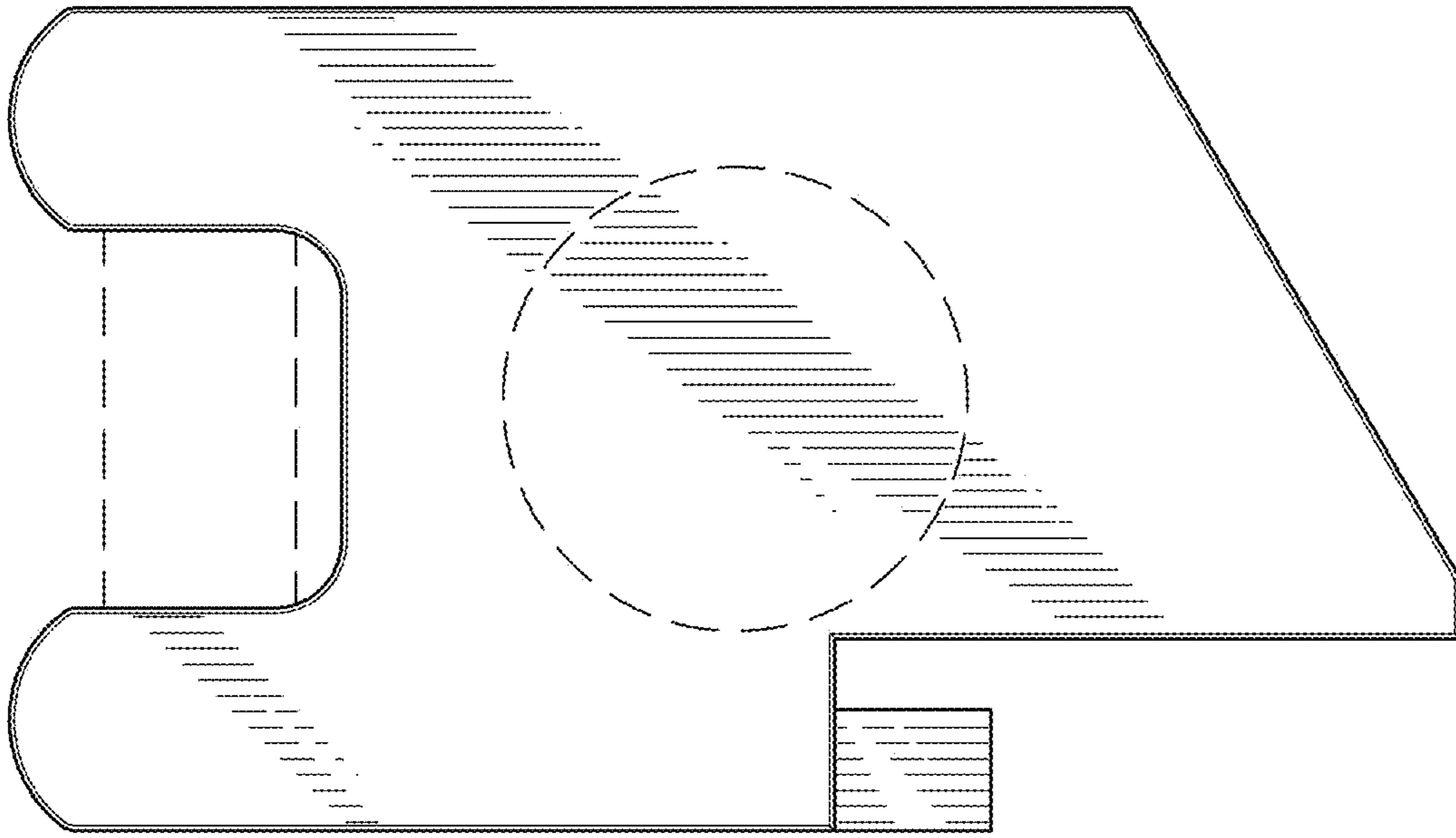


FIG. 9

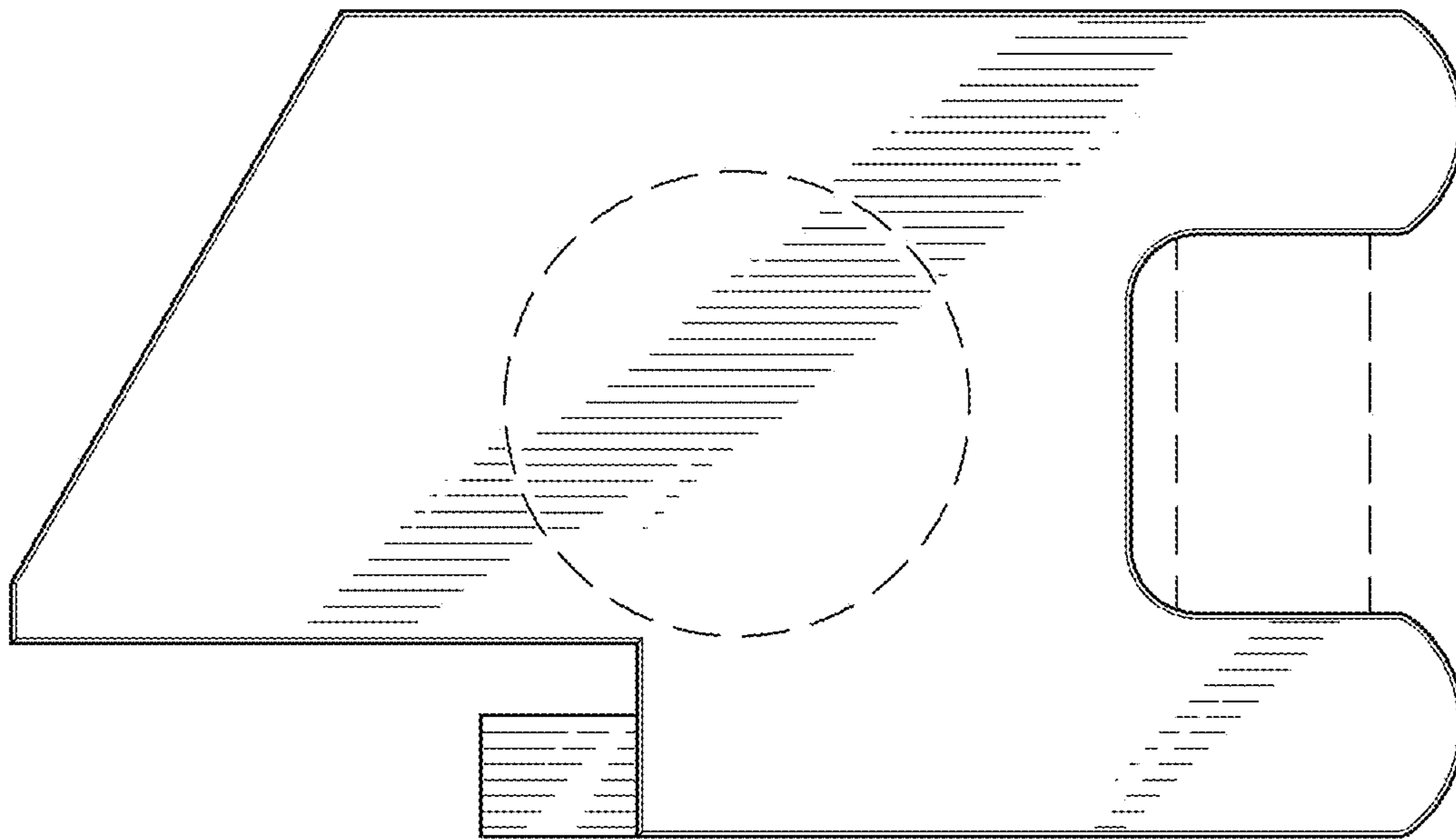


FIG. 10

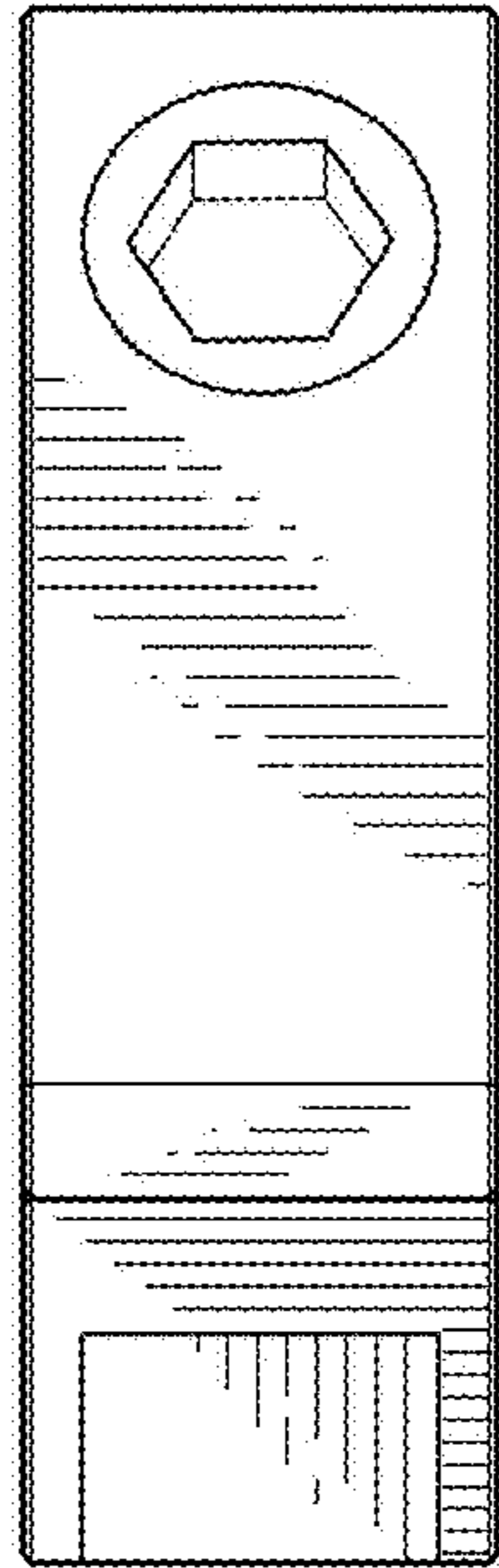


FIG. 11

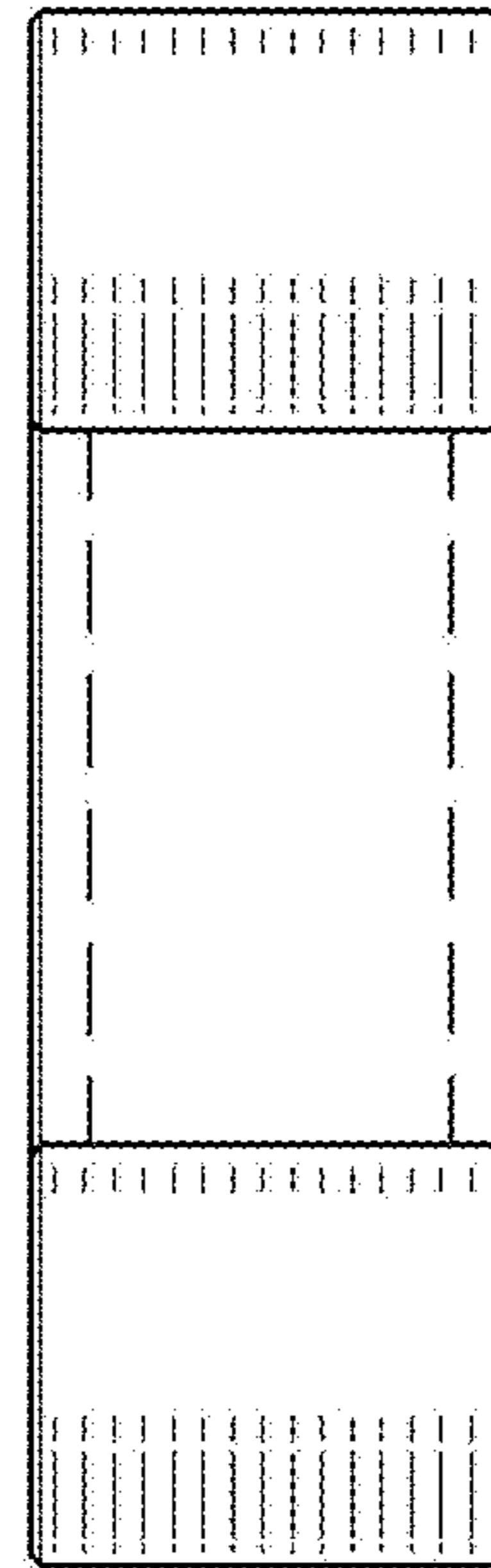


FIG. 12

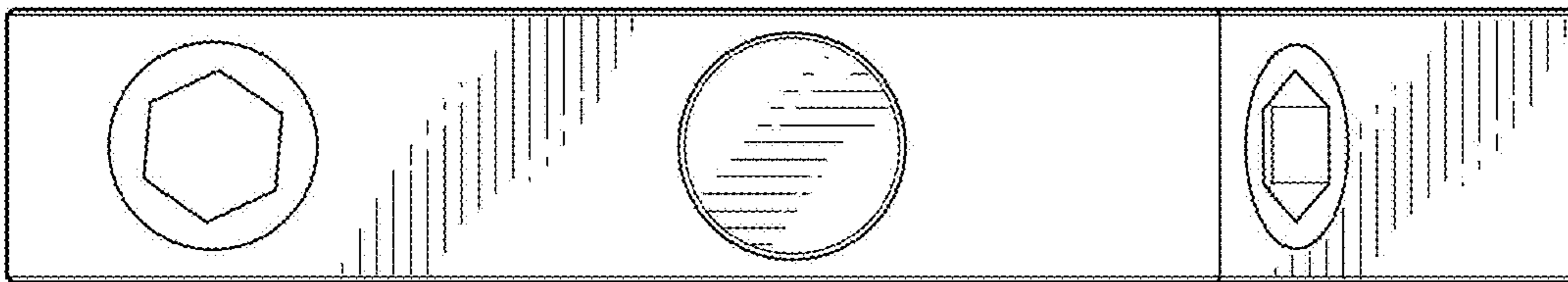


FIG. 13

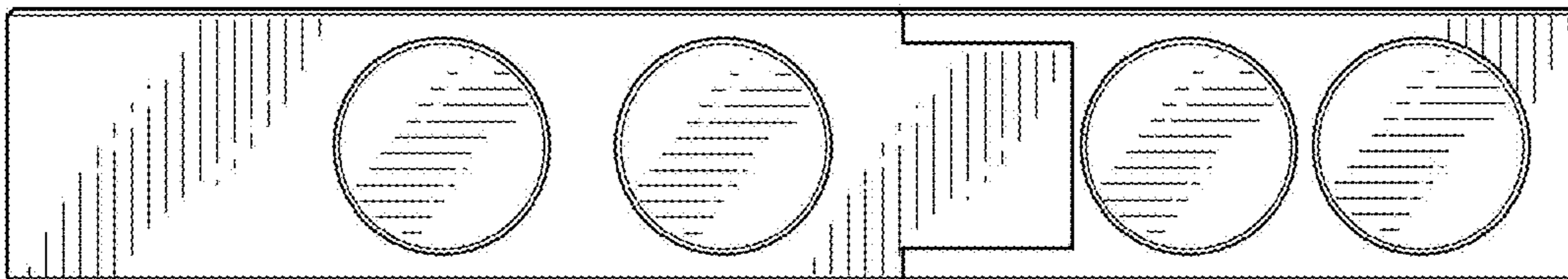


FIG. 14