



US00D913130S

(12) **United States Design Patent**
Difford

(10) **Patent No.:** **US D913,130 S**
(45) **Date of Patent:** **** Mar. 16, 2021**

(54) **MEASURING CUP**
(71) Applicant: **Mitchell & Cooper Ltd**, Hailsham
(GB)
(72) Inventor: **Simon Difford**, Hailsham (GB)
(**) Term: **15 Years**
(21) Appl. No.: **35/507,974**

D52,094 S * 6/1918 Dunn D7/527
D72,639 S * 5/1927 Schmidt D7/527
D76,986 S * 11/1928 Clark D7/527
D236,314 S * 8/1975 Sugai D7/319
D266,388 S * 10/1982 Saffell D7/525
D420,870 S * 2/2000 DeCoster D10/46.2
D437,239 S * 2/2001 Wei D10/46.2
D522,887 S * 6/2006 Hutzler D10/46.2
D804,331 S * 12/2017 Kim D10/46.2
2011/0048128 A1 * 3/2011 Groll G01F 19/002
73/427

(22) Filed: **Sep. 24, 2019**

* cited by examiner

(80) **Hague Agreement Data**

Primary Examiner — George D. Kirschbaum

Int. Filing Date: **Sep. 24, 2019**
Int. Reg. No.: **DM/204464**
Int. Reg. Date: **Sep. 24, 2019**
Int. Reg. Pub. Date: **Dec. 6, 2019**

(57) **CLAIM**

The ornamental design for a measuring cup, as shown and described.

(51) **LOC (13) Cl.** **10-04**

(52) **U.S. Cl.**
USPC **D10/46.2**

DESCRIPTION

(58) **Field of Classification Search**
USPC D7/700, 525, 319, 527; D10/46.2
CPC E04F 11/00; G01F 19/00
See application file for complete search history.

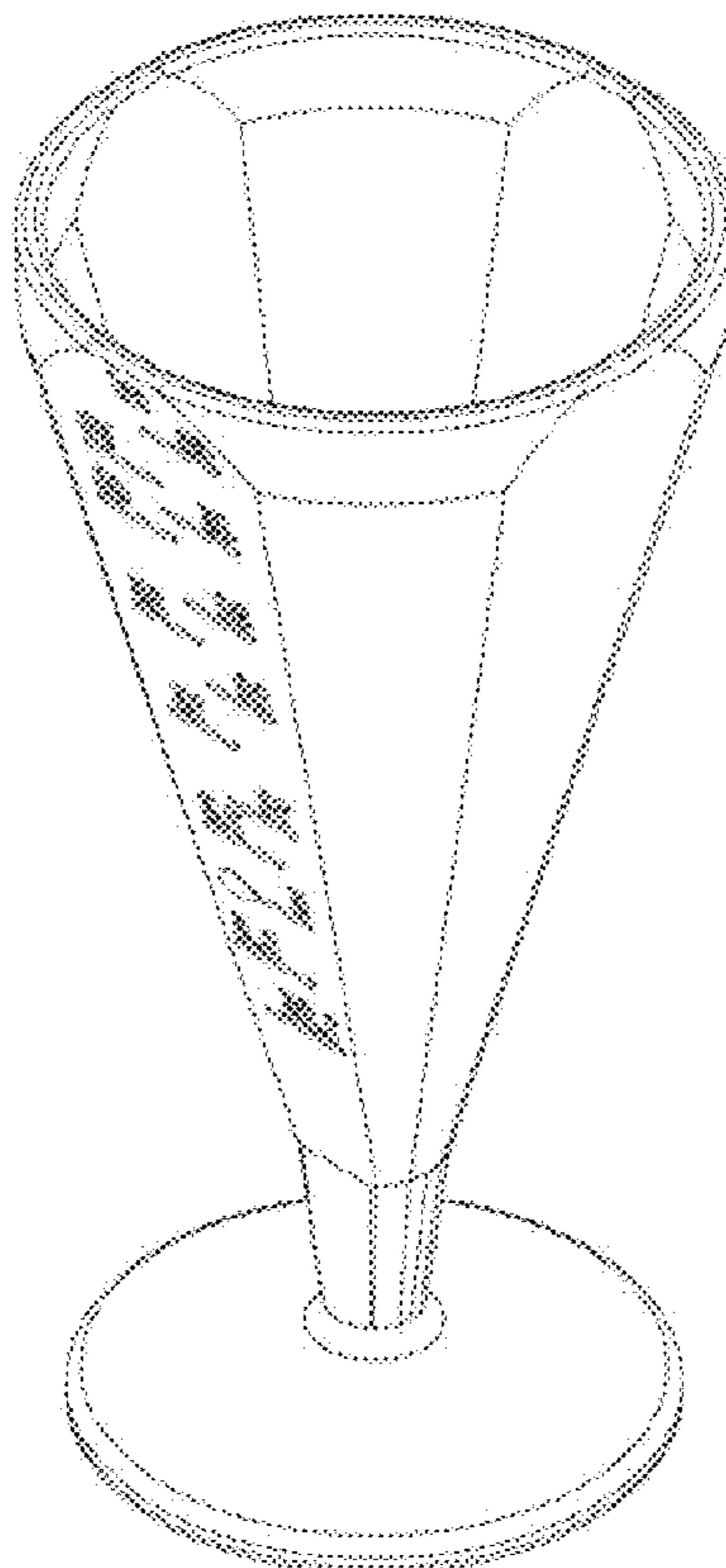
- 1. Measuring cup
- 1.1 : Perspective
- 1.2 : Perspective
- 1.3 : Front
- 1.4 : Back
- 1.5 : Right
- 1.6 : Perspective
- 1.7 : Top
- 1.8 : Bottom

(56) **References Cited**

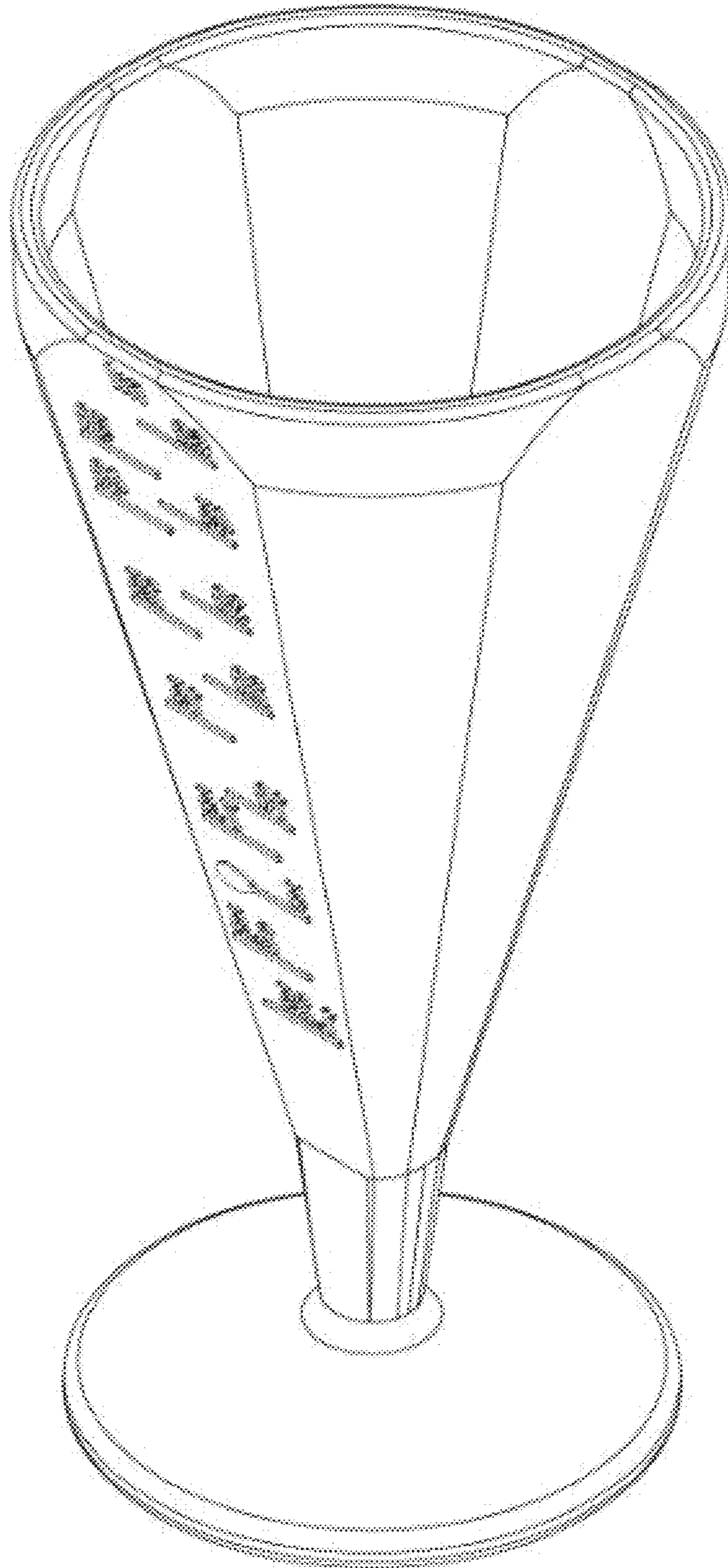
U.S. PATENT DOCUMENTS

679,628 A * 7/1901 Lehmann G01F 19/00
73/427
D52,093 S * 6/1918 Dunn D7/527

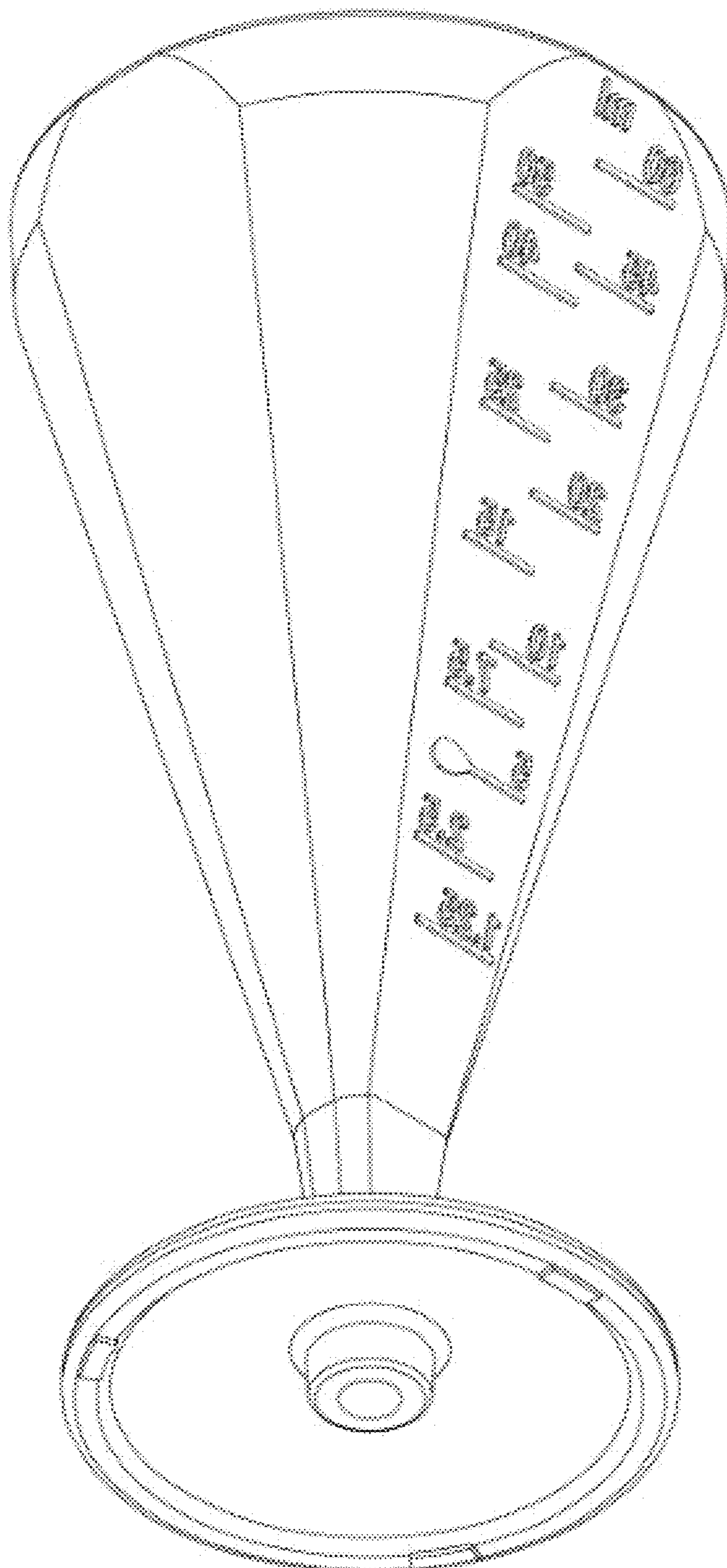
1 Claim, 8 Drawing Sheets



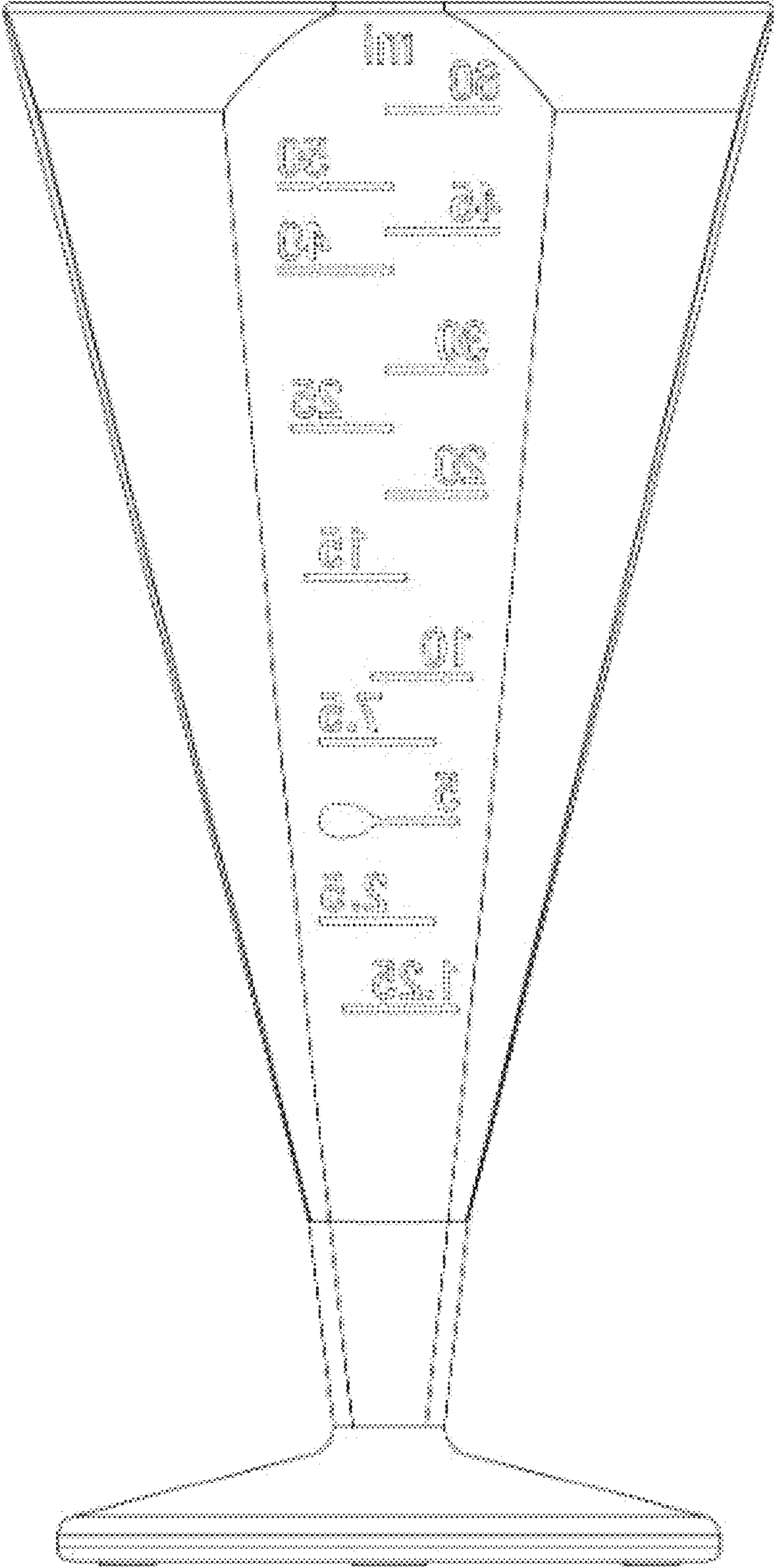
1.1



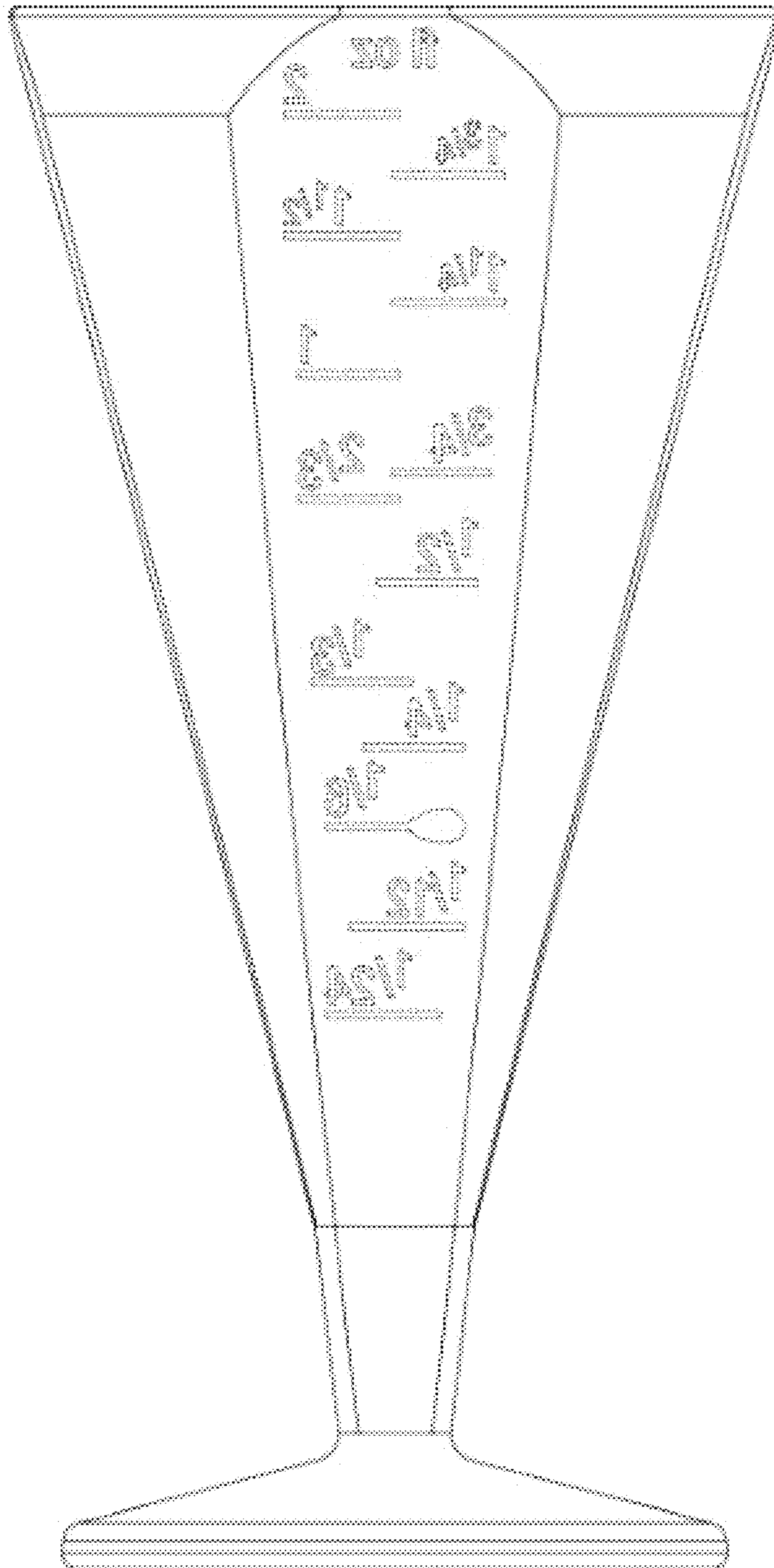
1.2



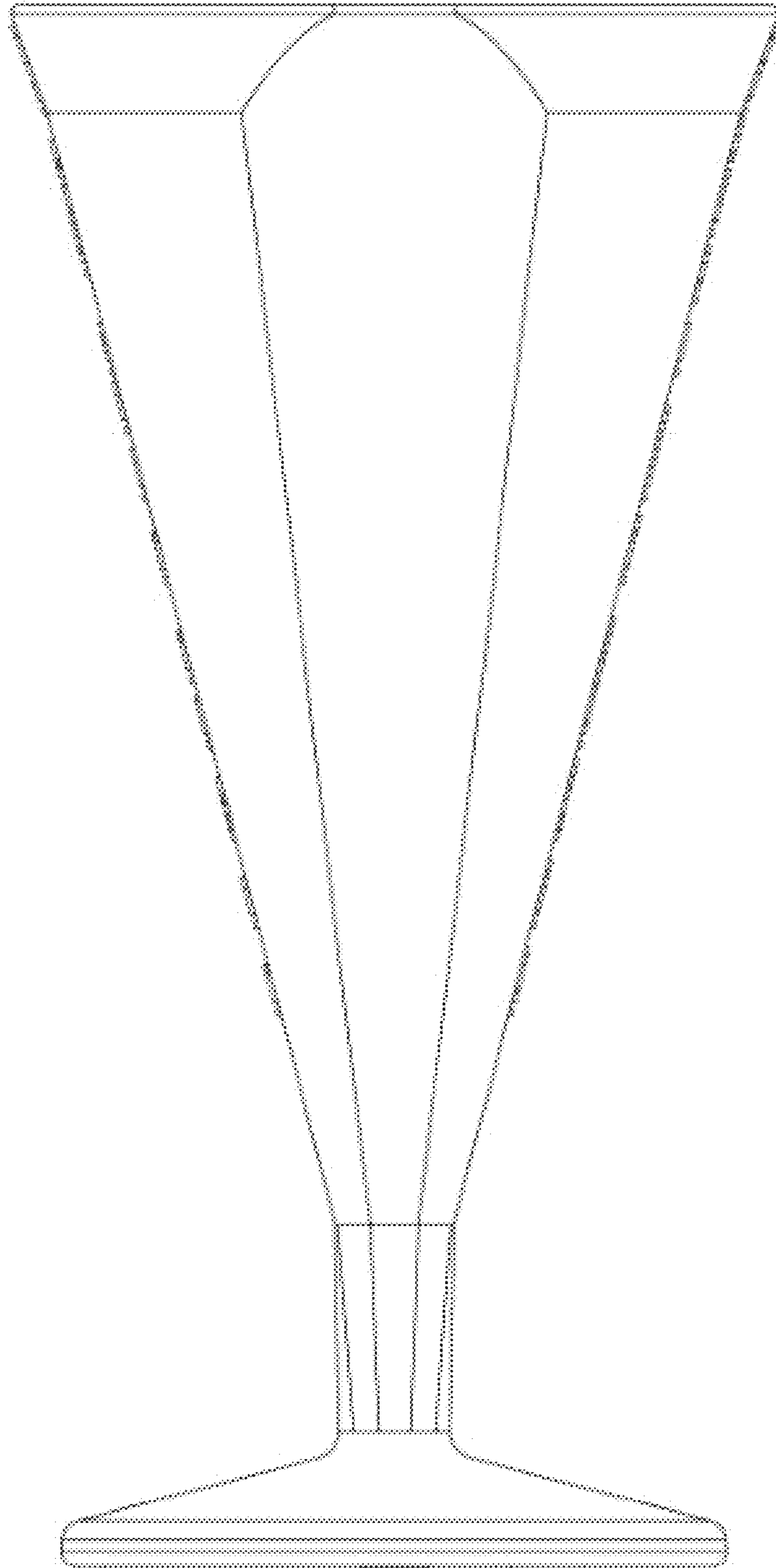
1.3



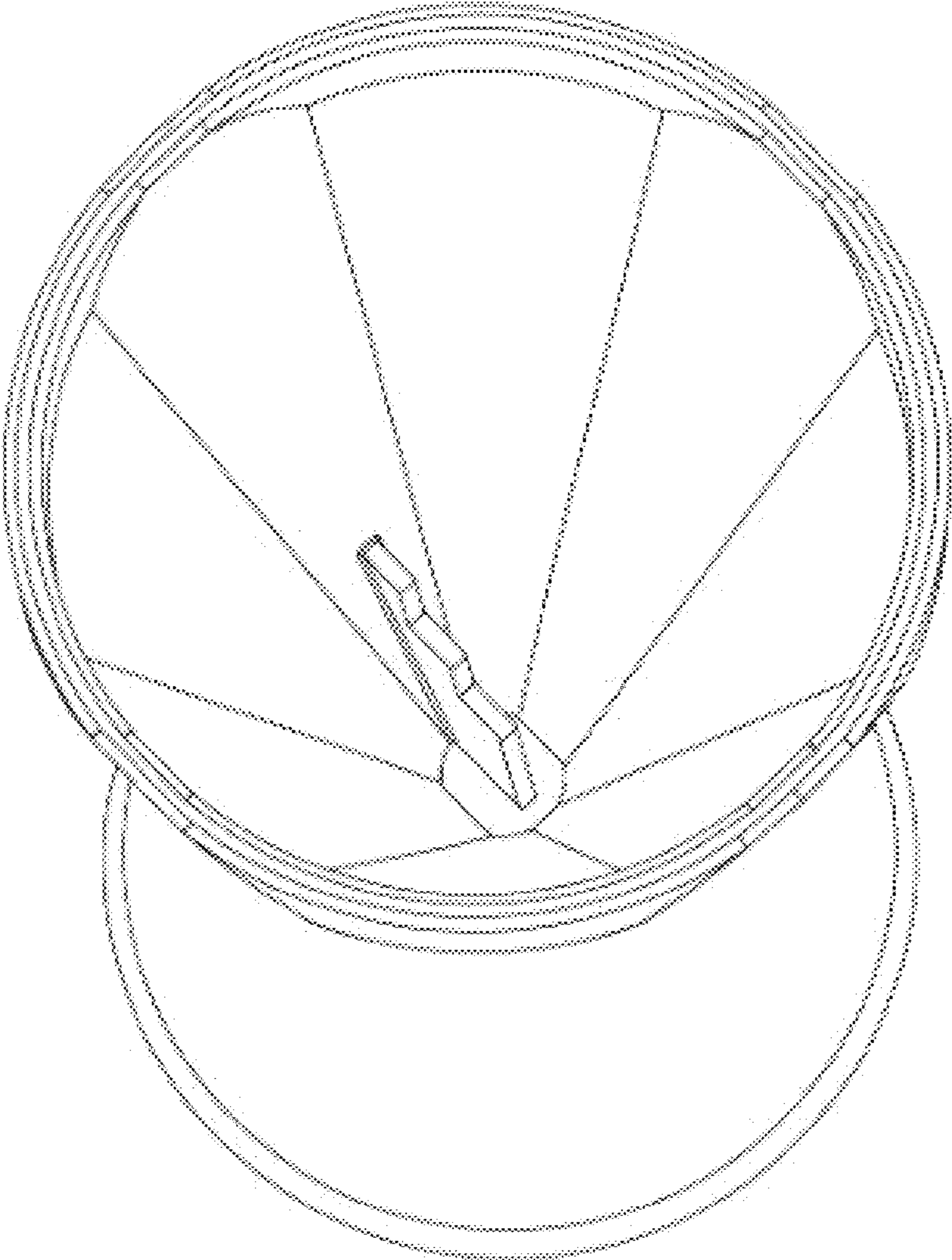
1.4



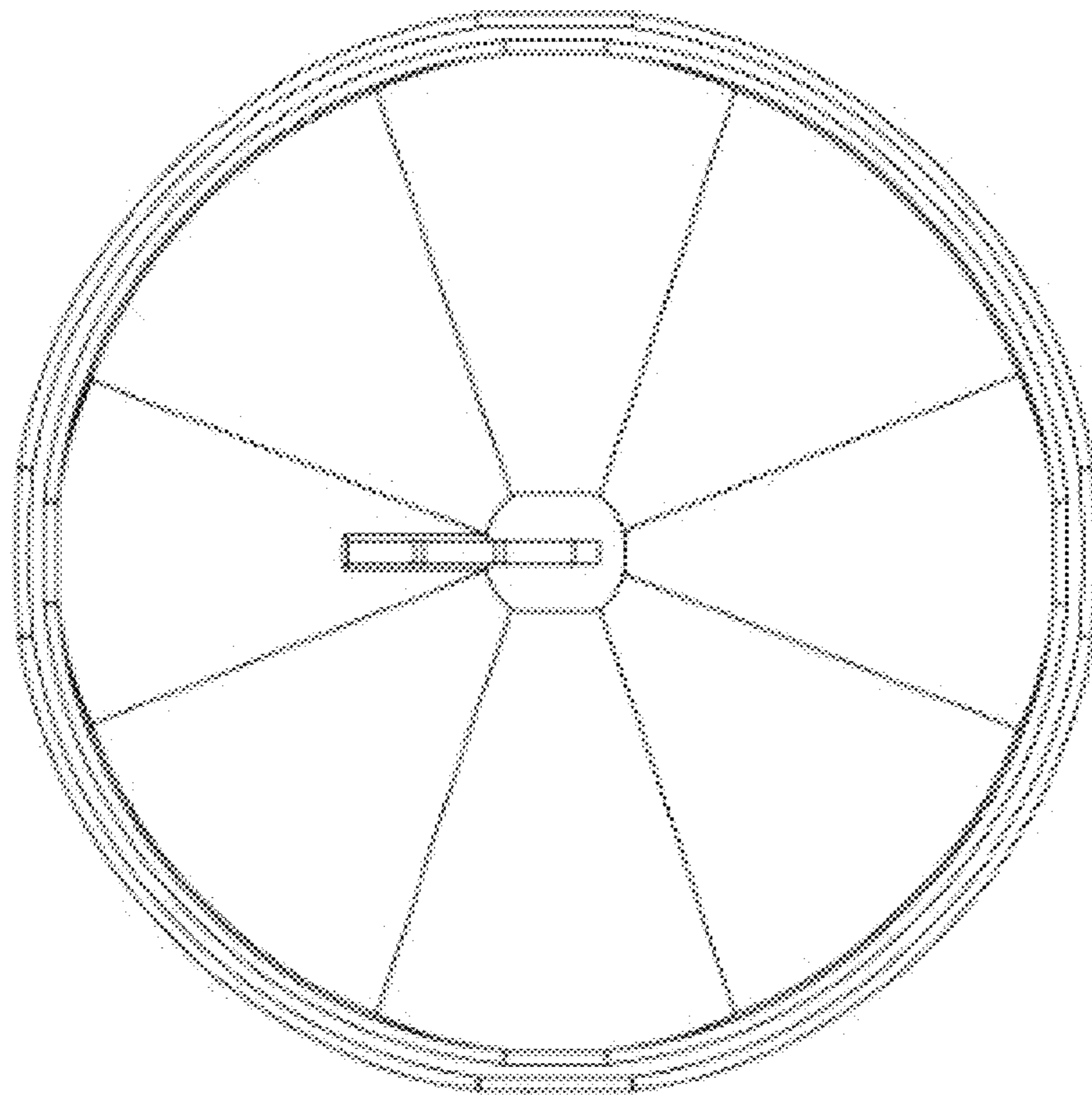
1.5



1.6



1.7



1.8

