



US00D913128S

(12) **United States Design Patent**  
**Mille**

(10) **Patent No.:** **US D913,128 S**

(45) **Date of Patent:** **\*\* Mar. 16, 2021**

(54) **WATCH**

(71) Applicant: **Turlen Holding SA**, Les Breuleux (CH)

(72) Inventor: **Richard Mille**, Moulins (FR)

(73) Assignee: **TURLEN HOLDING SA**, Les Breuleux (CH)

(\*\*) Term: **15 Years**

(21) Appl. No.: **29/693,158**

(22) Filed: **May 31, 2019**

(30) **Foreign Application Priority Data**

Dec. 3, 2018 (WO) ..... WIPO77632

(51) **LOC (13) Cl.** ..... **10-02**

(52) **U.S. Cl.**  
USPC ..... **D10/39**

(58) **Field of Classification Search**  
USPC ..... D10/30-39, 70, 97-98, 121-126, 128,  
D10/131

CPC ..... G04B 19/00; G04B 19/025; G04B 19/04;  
G04B 19/048; G04B 19/08; G04B  
19/085; G04B 19/10; G04B 19/12; G04B  
19/226; G04B 19/23; G04B 37/00; G04B  
37/0058; G04B 45/00; G04B 45/02;  
G04B 45/0038; G04B 45/0061; G04B  
45/0069; G04B 45/0076; G04G 19/06;  
G04G 19/065; G04G 19/087; G04G  
19/24; G04G 19/243; G04G 19/24306;  
G04G 19/247

See application file for complete search history.

(56) **References Cited**

**U.S. PATENT DOCUMENTS**

D11,689 S \* 3/1880 Hunziker ..... D10/131  
D245,400 S \* 8/1977 Osawa ..... D10/30  
D250,698 S \* 1/1979 Perrin ..... D10/131

D456,274 S \* 4/2002 Mille ..... D10/30  
D465,171 S \* 11/2002 Lepeu ..... D10/131  
D497,825 S \* 11/2004 Hill ..... D10/125  
D559,722 S \* 1/2008 Krieger ..... D10/131  
D570,710 S \* 6/2008 Wong ..... D10/30  
D595,595 S \* 7/2009 Sirmakes ..... D10/32  
D606,888 S \* 12/2009 Mille ..... D10/38  
D617,211 S \* 6/2010 Grimoldi ..... D10/38  
D650,708 S \* 12/2011 Laucella ..... D10/39  
D692,323 S \* 10/2013 Mille ..... D10/39  
D710,216 S \* 8/2014 Mille ..... D10/38

(Continued)

**OTHER PUBLICATIONS**

Richard Mille's Delicious Bonbon Collection | quillandpad.com Jan. 25, 2019 [online]. © Quill & Pad [retrieved Sep. 13, 2020] from Internet: <<https://quillandpad.com/2019/01/25/richard-milles-delicious-bonbon-collection-real-craftsmanship-and-colorfully-dosed-daring-make-up-the-main-ingredients/>> (Year: 2019).\*

(Continued)

*Primary Examiner* — Katherine Glennon

(74) *Attorney, Agent, or Firm* — Donald J. Ranft; Collen

(57) **CLAIM**

The ornamental design for a watch, as shown.

**DESCRIPTION**

FIG. 1 is a front right perspective view of a watch showing my new design;

FIG. 2 is a rear right perspective view thereof;

FIG. 3 is a front view thereof;

FIG. 4 is a rear view thereof;

FIG. 5 is a left side view thereof;

FIG. 6 is a right side view thereof;

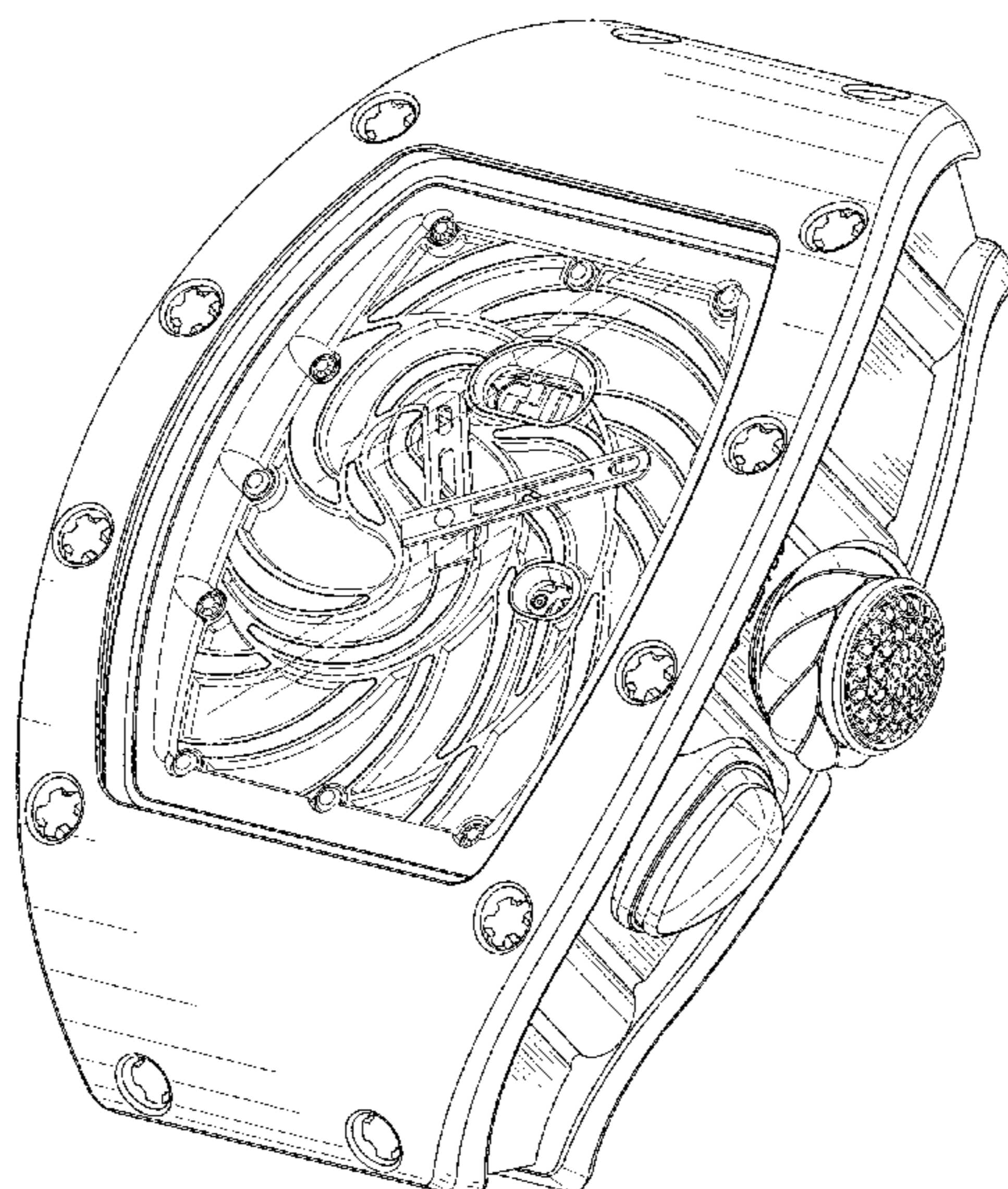
FIG. 7 is a bottom view thereof;

FIG. 8 is a top view thereof;

FIG. 9 is a front left perspective view thereof; and,

FIG. 10 is a rear left perspective view thereof.

**1 Claim, 10 Drawing Sheets**



(56)

**References Cited**

U.S. PATENT DOCUMENTS

D712,770 S	*	9/2014	Stegmann .....	D10/126
D714,662 S	*	10/2014	Mille .....	D10/39
D715,164 S	*	10/2014	Tedeschi .....	D10/38
D723,964 S	*	3/2015	Monachon .....	D10/126
D743,814 S	*	11/2015	Miodrag .....	D10/39
D753,512 S	*	4/2016	Mille .....	D10/39
D765,521 S	*	9/2016	Mille .....	D10/30
D778,177 S	*	2/2017	Blootacker .....	D10/30
D823,140 S	*	7/2018	Mille .....	D10/39

OTHER PUBLICATIONS

SIHH 2019 Richard Mille Bonbon Collection | posted at timeandtidewatches.com Jan. 28, 2019 [online]. © 2020 Time and Watches [retrieved Sep. 11, 2020] from Internet: <<https://www.timeandwatches.com/2019/01/sihh-2019-richard-mille-bonbon.html>> (Year: 2019).\*

\* cited by examiner



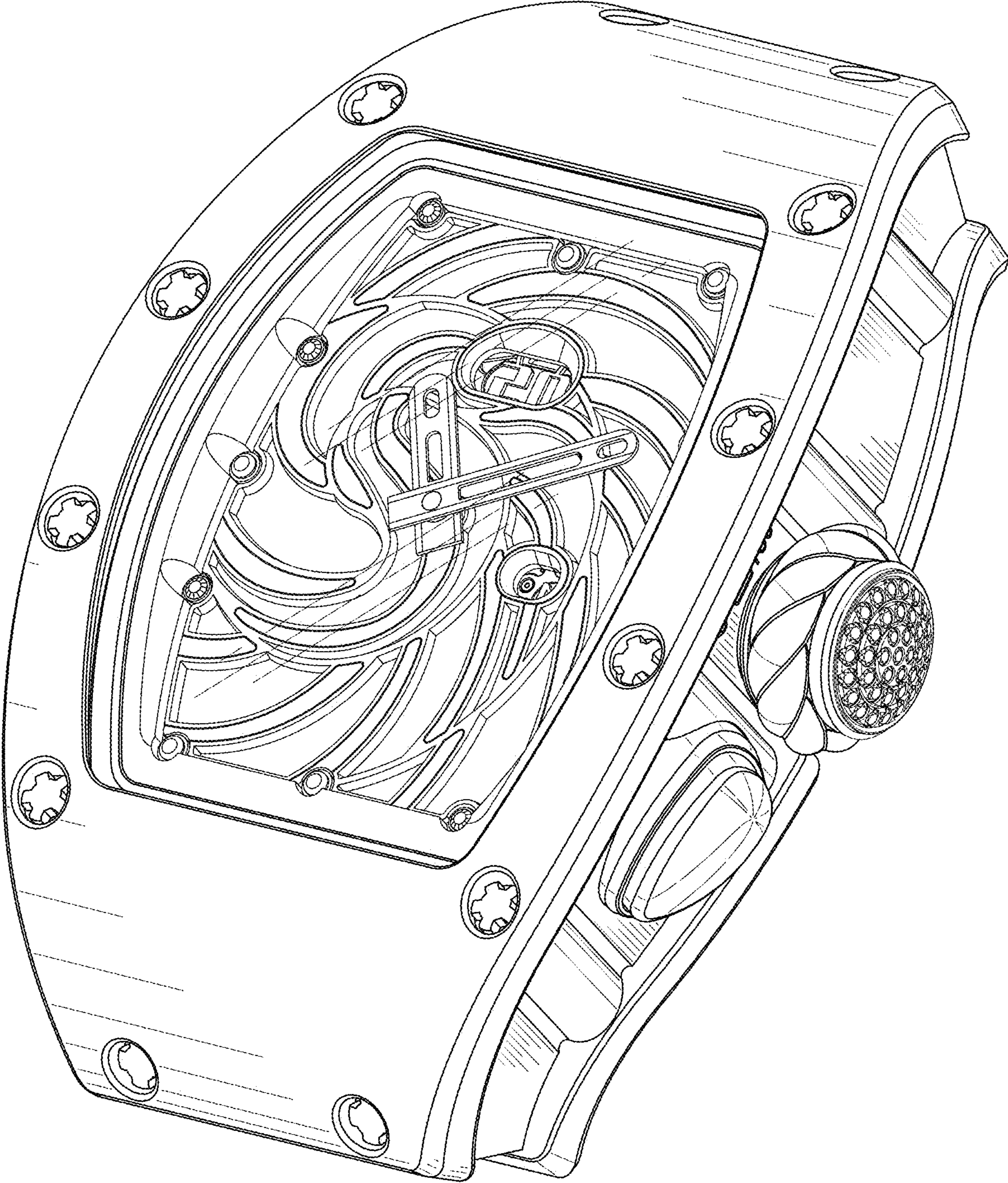


Fig. 1



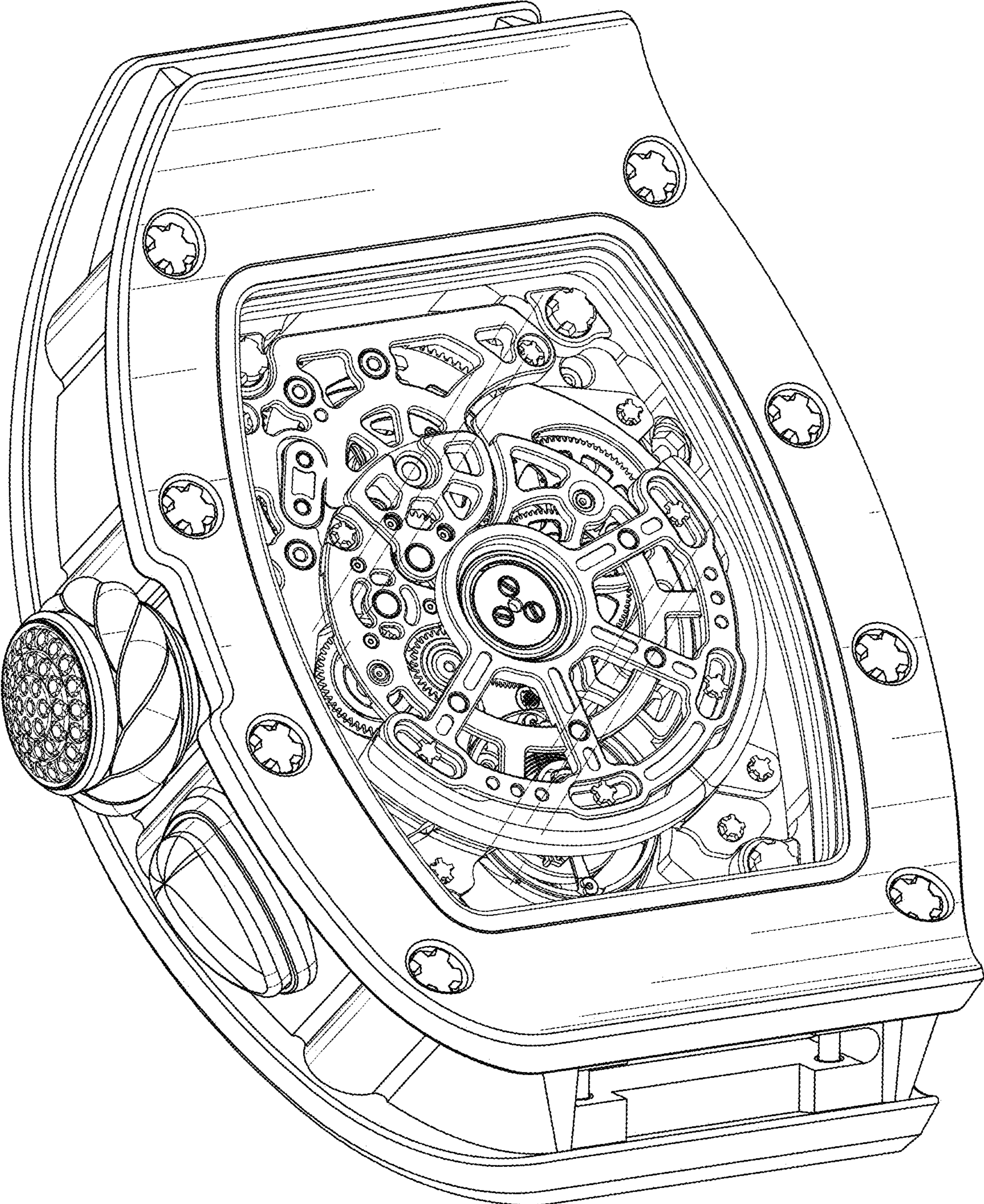


Fig. 2



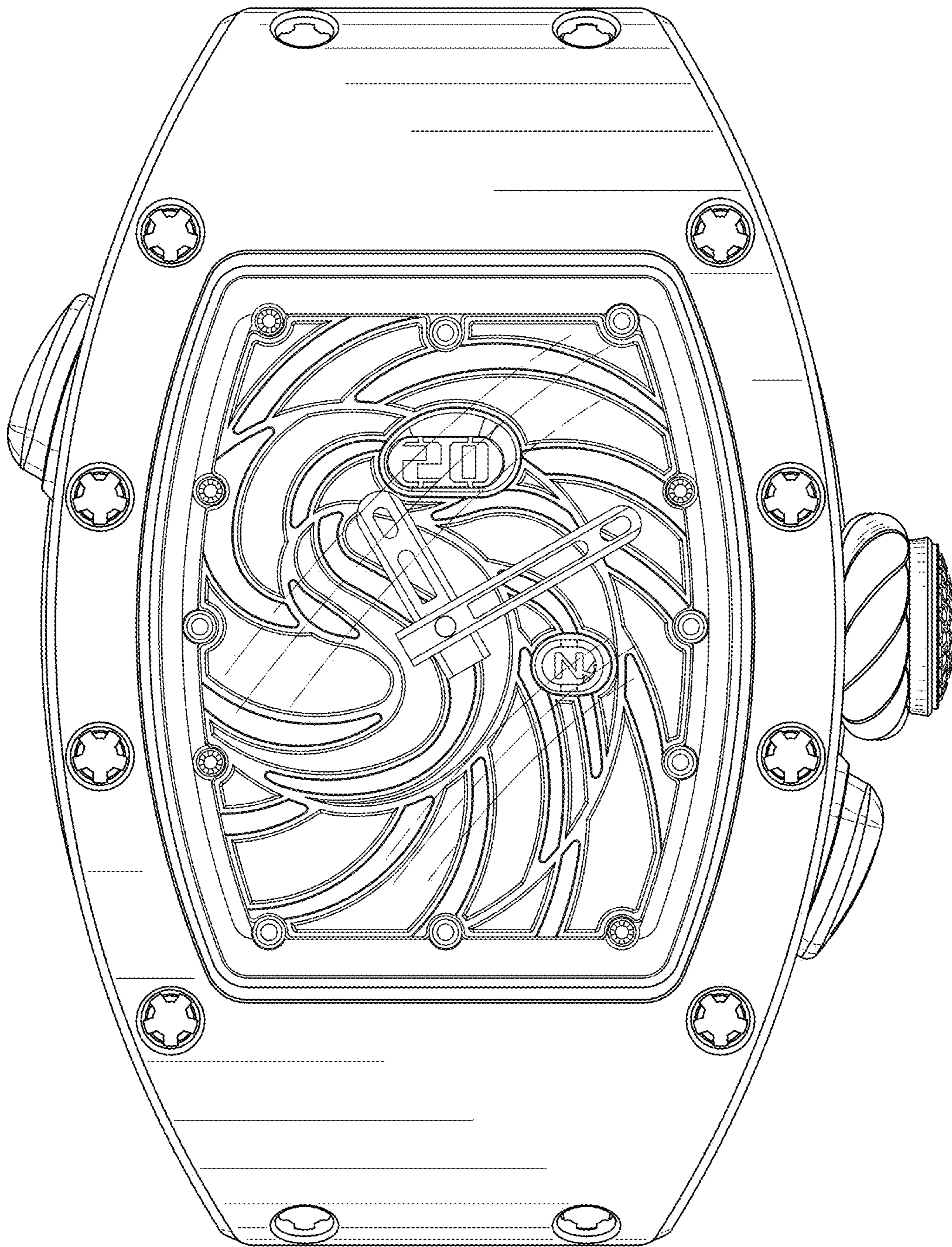


Fig. 3





Fig. 4

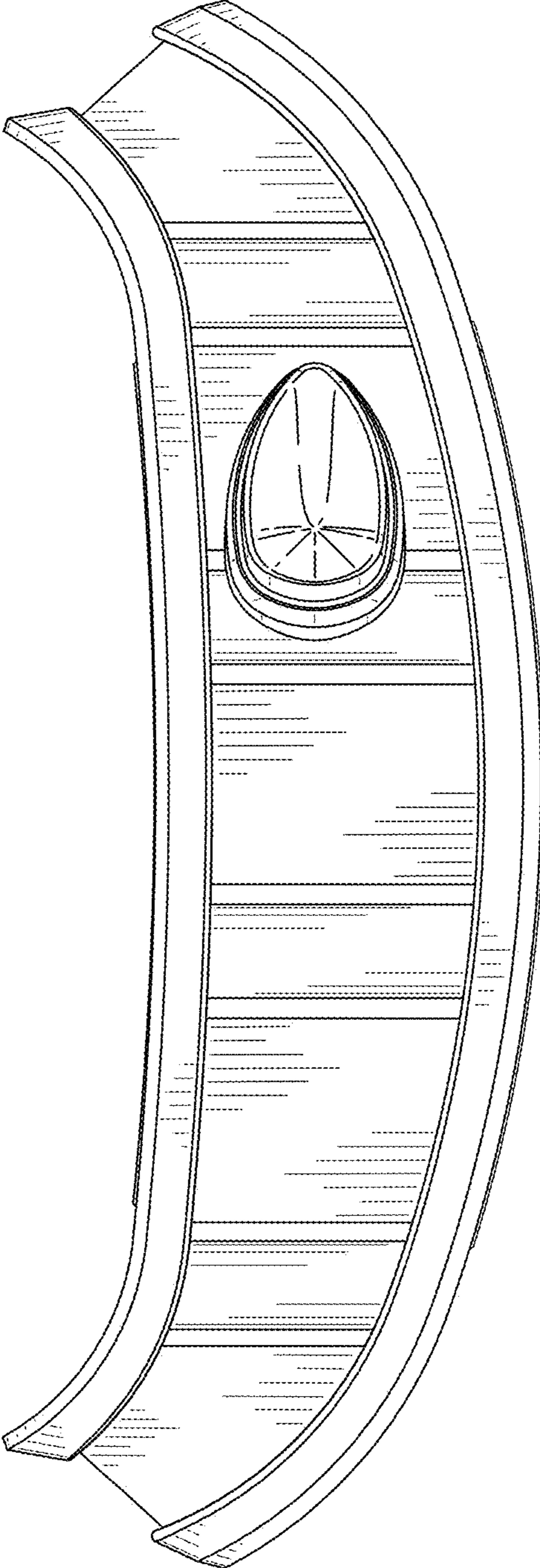


Fig. 5

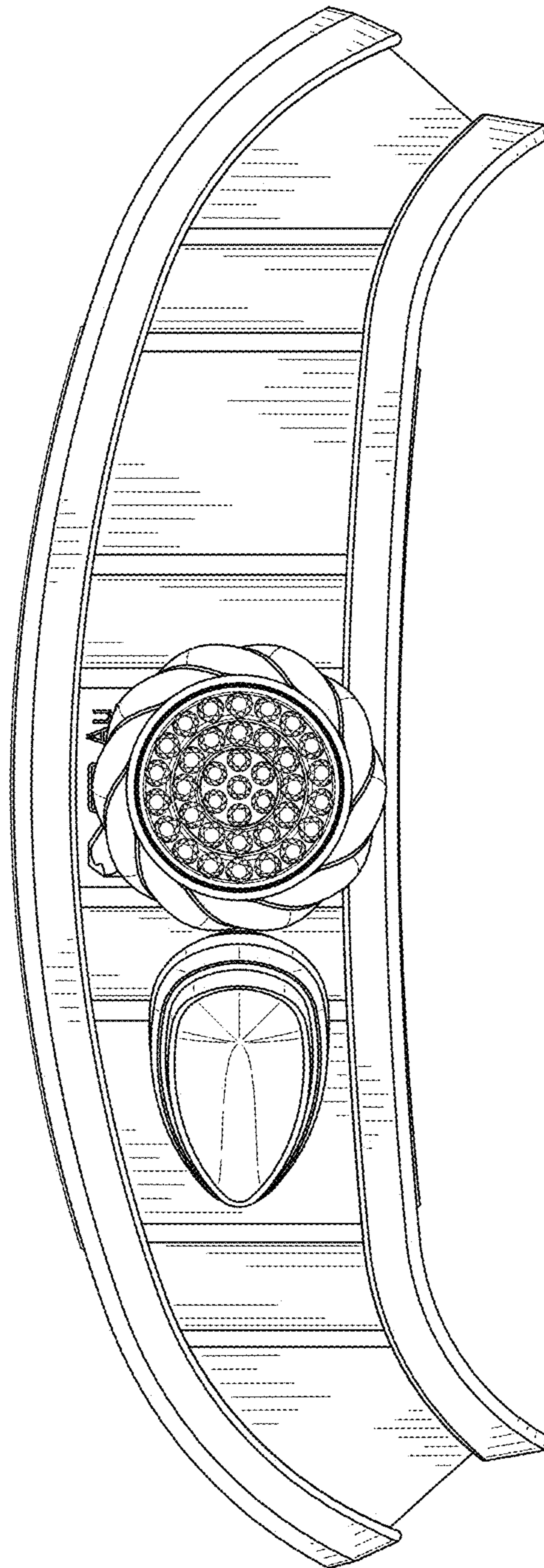


Fig. 6



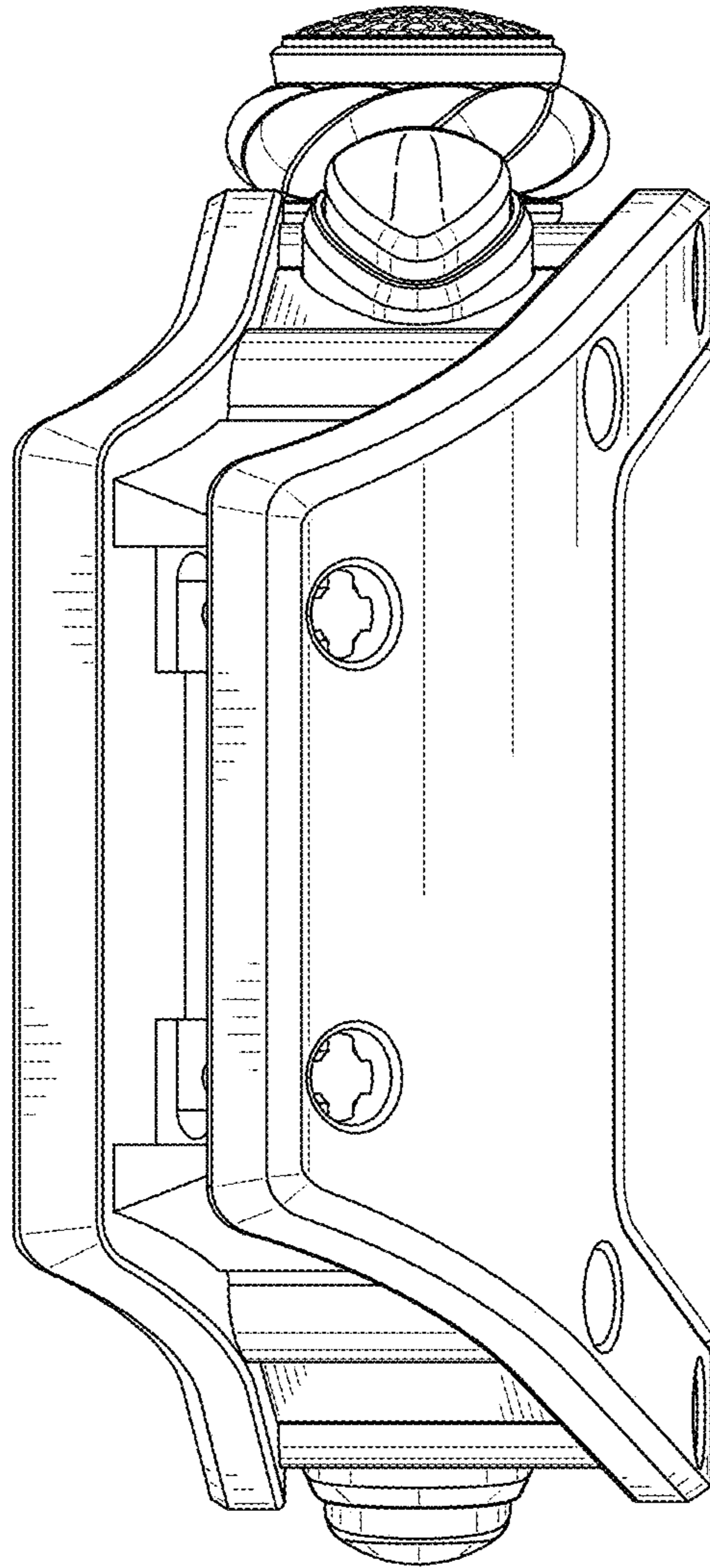


Fig. 7

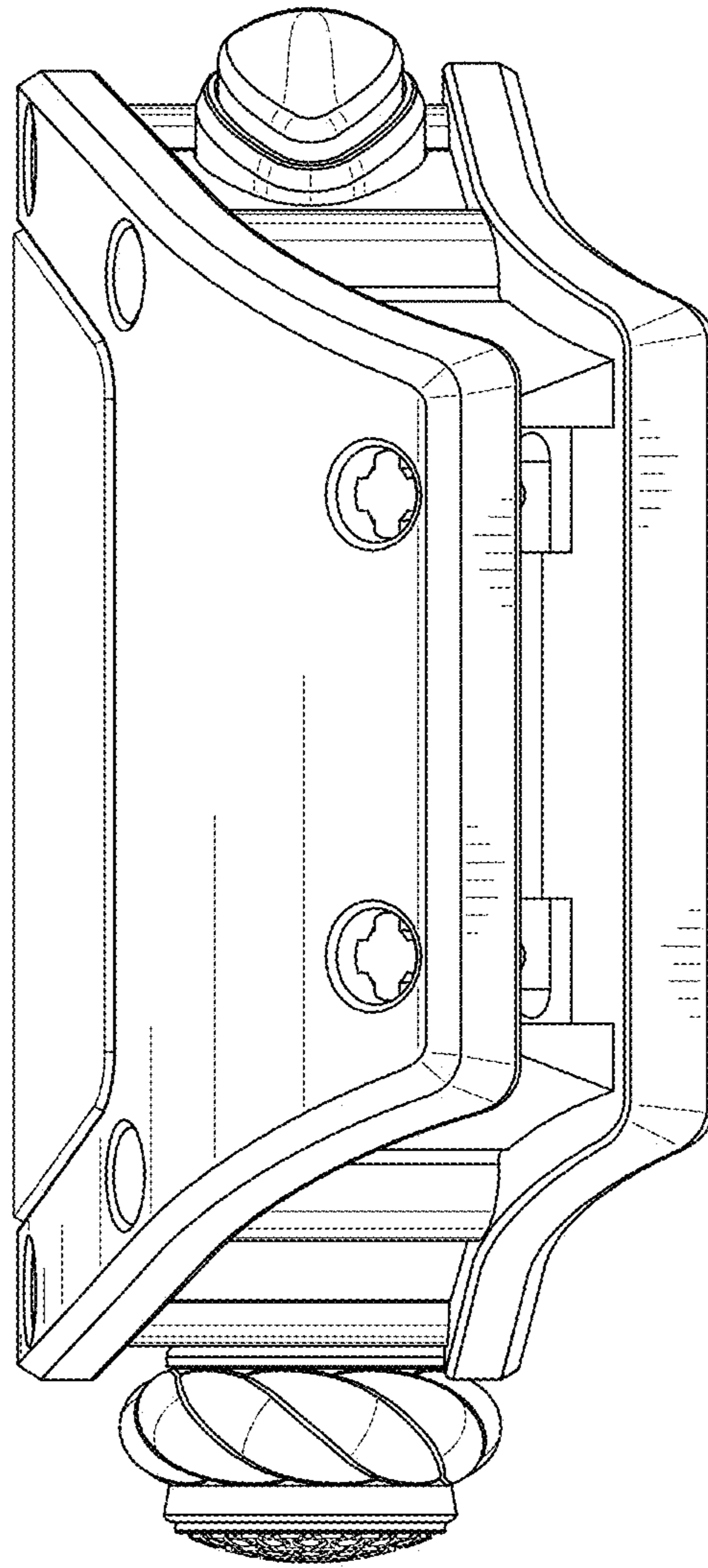


Fig. 8



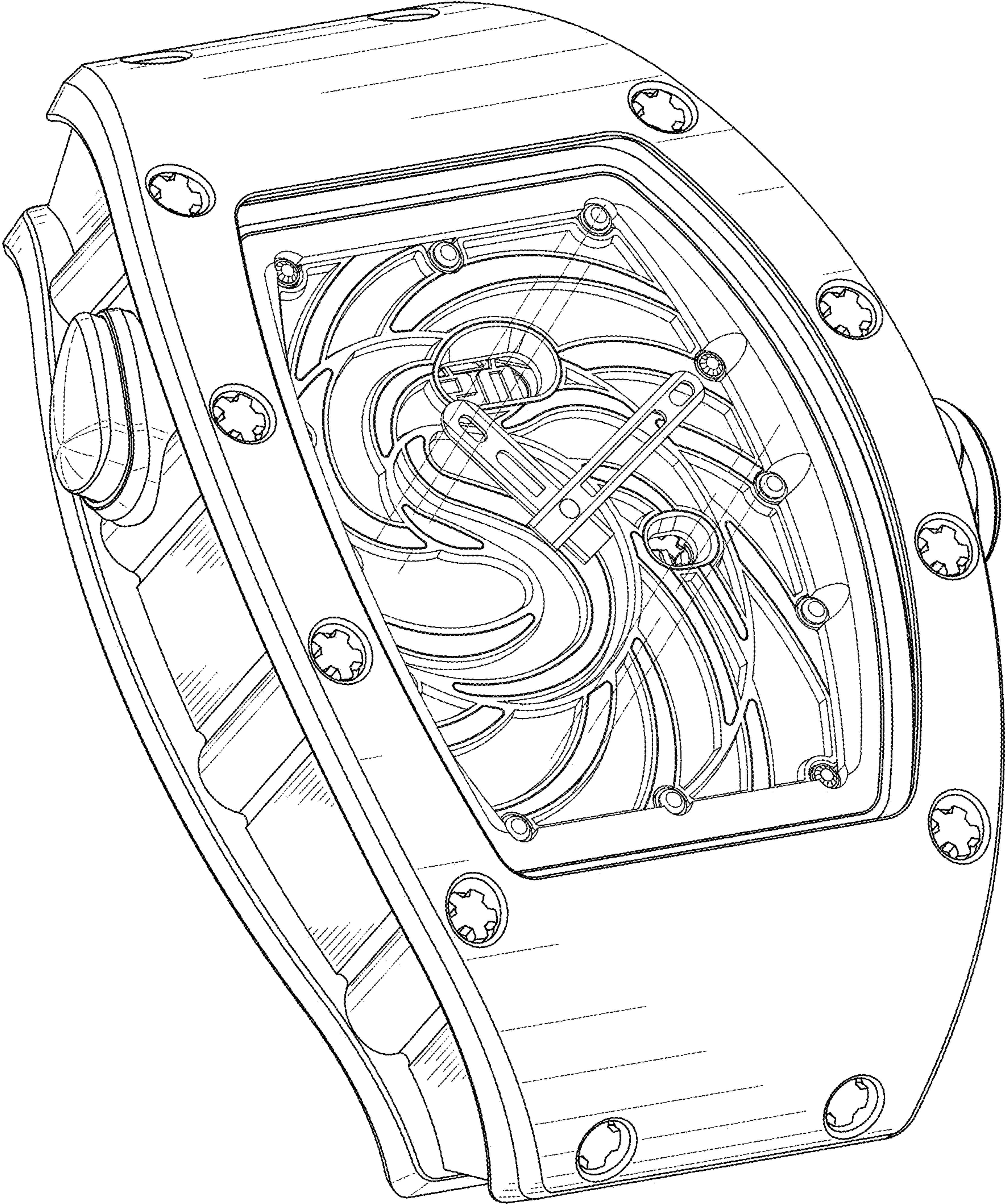


Fig. 9





Fig. 10