



US00D913127S

(12) **United States Design Patent**  
**Mille**

(10) **Patent No.:** **US D913,127 S**

(45) **Date of Patent:** **\*\* Mar. 16, 2021**

(54) **WATCH**

(71) Applicant: **Turlen Holding SA**, Les Breuleux (CH)

(72) Inventor: **Richard Mille**, Moulins (FR)

(73) Assignee: **TURLEN HOLDING SA**, Les Breuleux (CH)

(\*\*) Term: **15 Years**

(21) Appl. No.: **29/693,150**

(22) Filed: **May 31, 2019**

(30) **Foreign Application Priority Data**

Dec. 3, 2018 (WO) ..... 77632

(51) **LOC (13) Cl.** ..... **10-02**

(52) **U.S. Cl.**  
USPC ..... **D10/39**

(58) **Field of Classification Search**  
USPC ..... D10/30-39, 70, 97-98, 121-126, 128,  
D10/131

CPC ..... G04B 19/00; G04B 19/025; G04B 19/04;  
G04B 19/048; G04B 19/08; G04B  
19/085; G04B 19/10; G04B 19/12; G04B  
19/23; G04B 37/00; G04B 37/0058;  
G04B 45/00; G04B 45/02; G04B  
45/0038; G04B 45/0061; G04B 45/0069;  
G04B 45/0076; G04G 19/06; G04G  
19/065; G04G 19/087; G04G 19/24;  
G04G 19/243; G04G 19/24306; G04G  
19/247

See application file for complete search history.

(56) **References Cited**

**U.S. PATENT DOCUMENTS**

3,901,017 A \* 8/1975 Erni ..... G04B 19/00  
368/37  
5,297,112 A \* 3/1994 Cohen ..... G04B 5/19  
368/188

D519,390 S \* 4/2006 Lovegrove ..... D10/39  
D527,286 S \* 8/2006 Calvani ..... D10/39  
D568,181 S \* 5/2008 Rabassa ..... D10/39  
D570,710 S \* 6/2008 Wong ..... D10/30  
D573,487 S \* 7/2008 Sanz ..... D10/39  
D591,191 S \* 4/2009 Besse ..... D10/129  
D606,423 S \* 12/2009 Mille ..... D10/38  
D616,312 S \* 5/2010 Ellia ..... D10/39  
D617,211 S \* 6/2010 Grimoldi ..... D10/38  
D629,322 S \* 12/2010 Behling ..... D10/124

(Continued)

**OTHER PUBLICATIONS**

SIHH 2019 Richard Mille Bonbon Collection | posted at timeandtidewatches.com Jan. 28, 2019 [online]. © 2020 Time and Watches [retrieved Sep. 11, 2020] from Internet: <<https://www.timeandwatches.com/2019/01/sihh-2019-richard-mille-bonbon.html>> (Year: 2019).\*

(Continued)

*Primary Examiner* — Katherine Glennon

(74) *Attorney, Agent, or Firm* — Donald J. Ranft; Collen

(57) **CLAIM**

The ornamental design for a watch, as shown.

**DESCRIPTION**

FIG. 1 is a front right perspective view of a watch showing my new design;

FIG. 2 is a rear left perspective view thereof;

FIG. 3 is a front view thereof;

FIG. 4 is a rear view thereof;

FIG. 5 is a left side view thereof;

FIG. 6 is a right side view thereof;

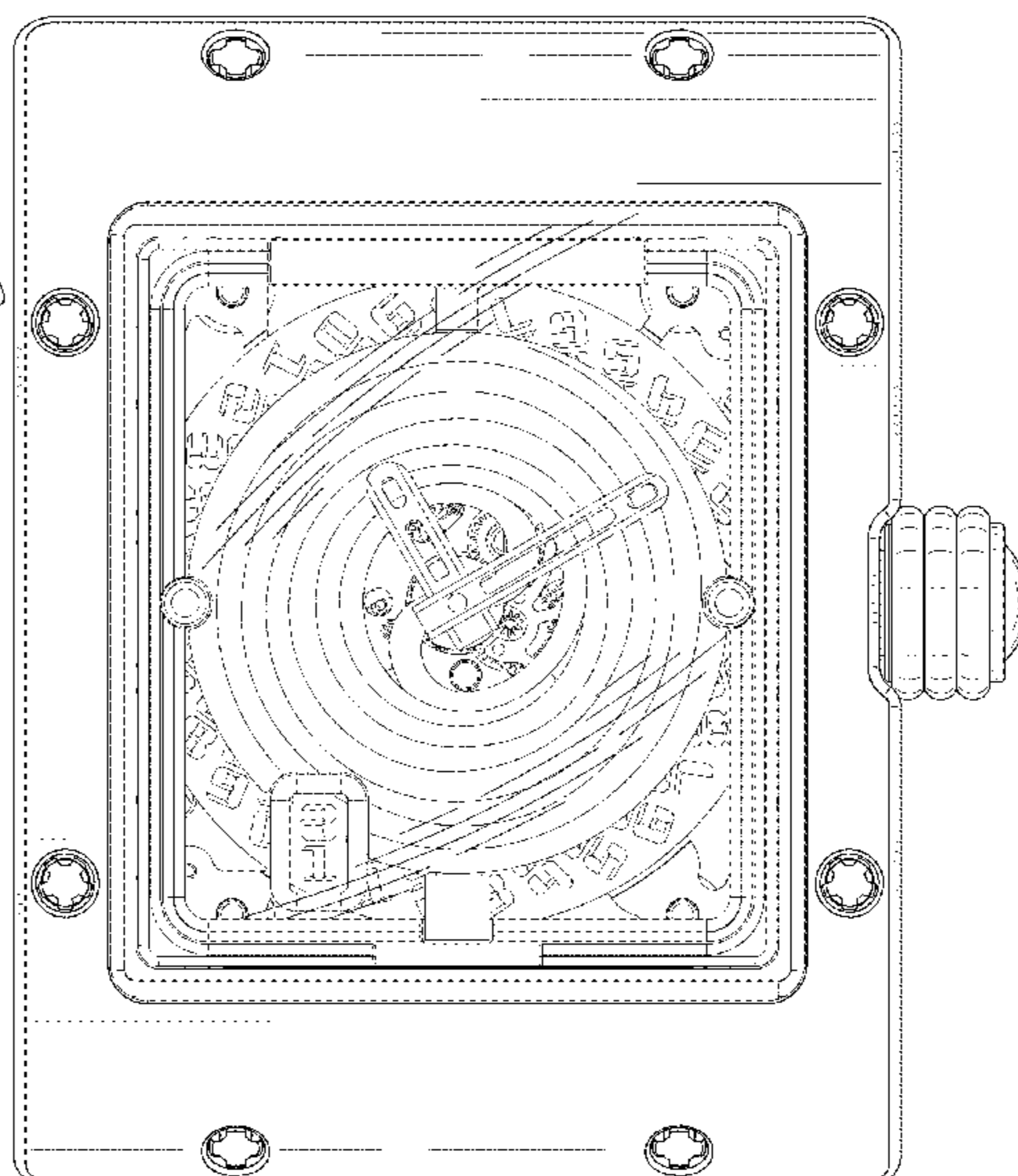
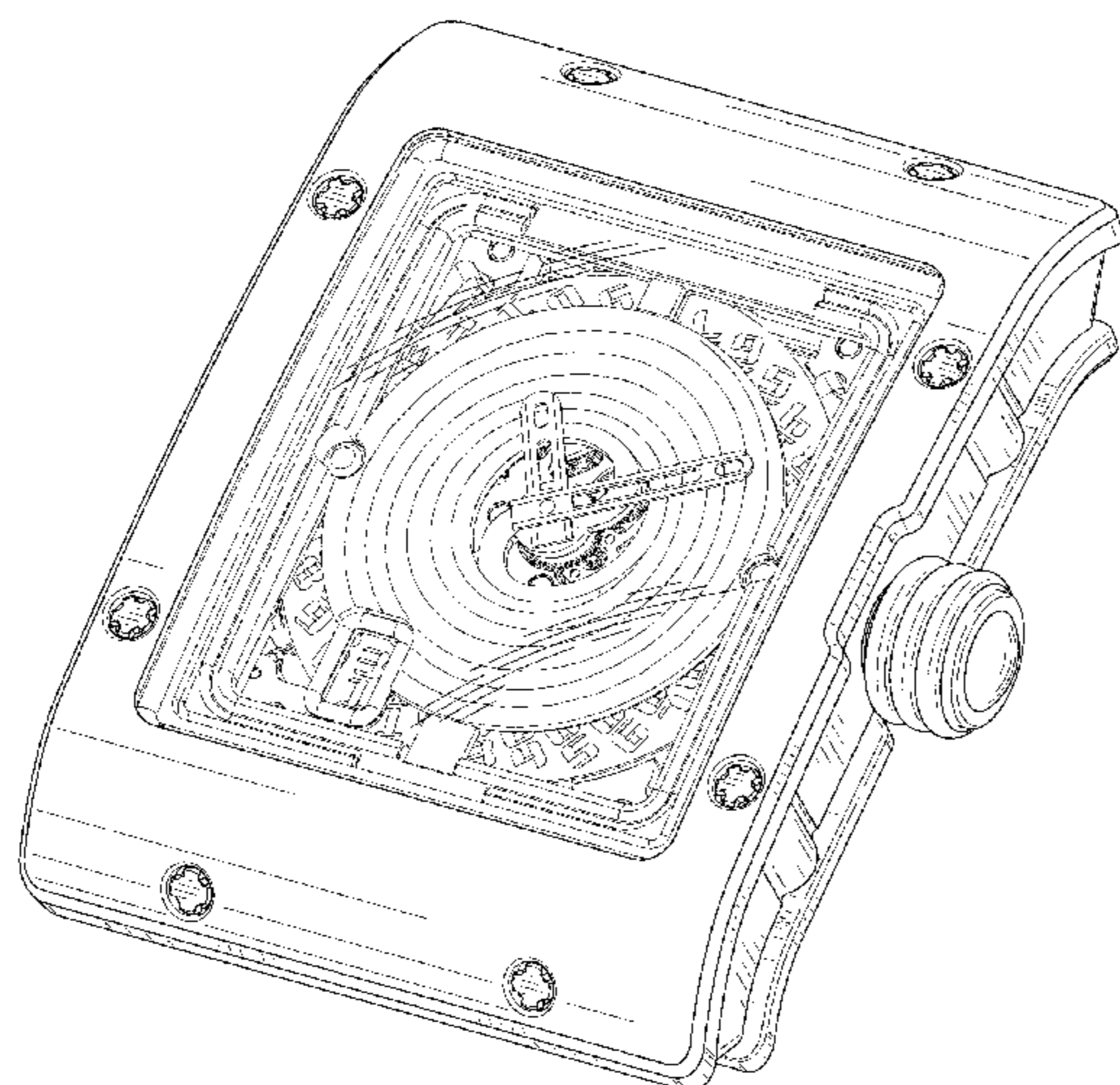
FIG. 7 is a top view thereof;

FIG. 8 is a bottom view thereof.

FIG. 9 is a front bottom perspective view thereof; and,

FIG. 10 is a rear right perspective view thereof.

**1 Claim, 8 Drawing Sheets**



(56)

**References Cited**

U.S. PATENT DOCUMENTS

D645,373	S	*	9/2011	Car	.....	D10/125
D649,069	S	*	11/2011	Galli	.....	D10/30
D658,515	S	*	5/2012	Mille	.....	D10/39
D664,048	S	*	7/2012	Mille	.....	D10/39
D715,164	S	*	10/2014	Tedeschi	.....	D10/38
D743,814	S	*	11/2015	Miodrag	.....	D10/39
D747,982	S	*	1/2016	Miodrag	.....	D10/39
D751,421	S	*	3/2016	Perret	.....	D10/39
D756,245	S	*	5/2016	Mille	.....	D10/39
D767,417	S	*	9/2016	Laucella	.....	D10/39
D798,746	S	*	10/2017	Mille	.....	D10/39
D832,721	S	*	11/2018	Nussbaumer	.....	D10/39
2017/0168460	A1	*	6/2017	Willemin	.....	G04C 10/02

OTHER PUBLICATIONS

Richard Mille Colorful Candy-Inspired BonBon Timepieces | posted at highsnobiety.com Jan. 2019 [online]. [retrieved Sep. 10, 2020] from Internet: <<https://www.highsnobiety.com/p/richard-mille-bonbon-collection/#slide-3>> (Year: 2019).\*

\* cited by examiner

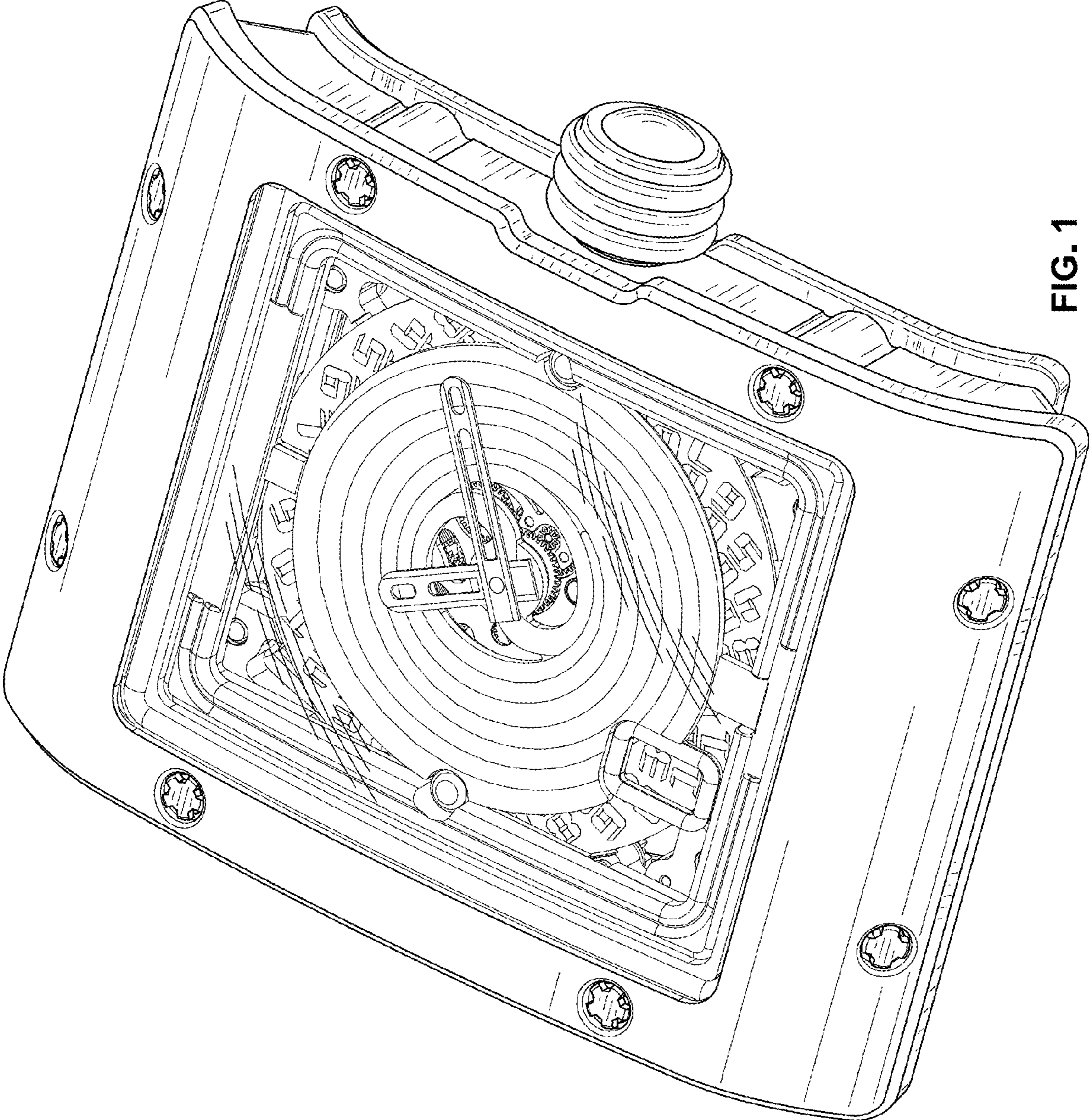


FIG. 1

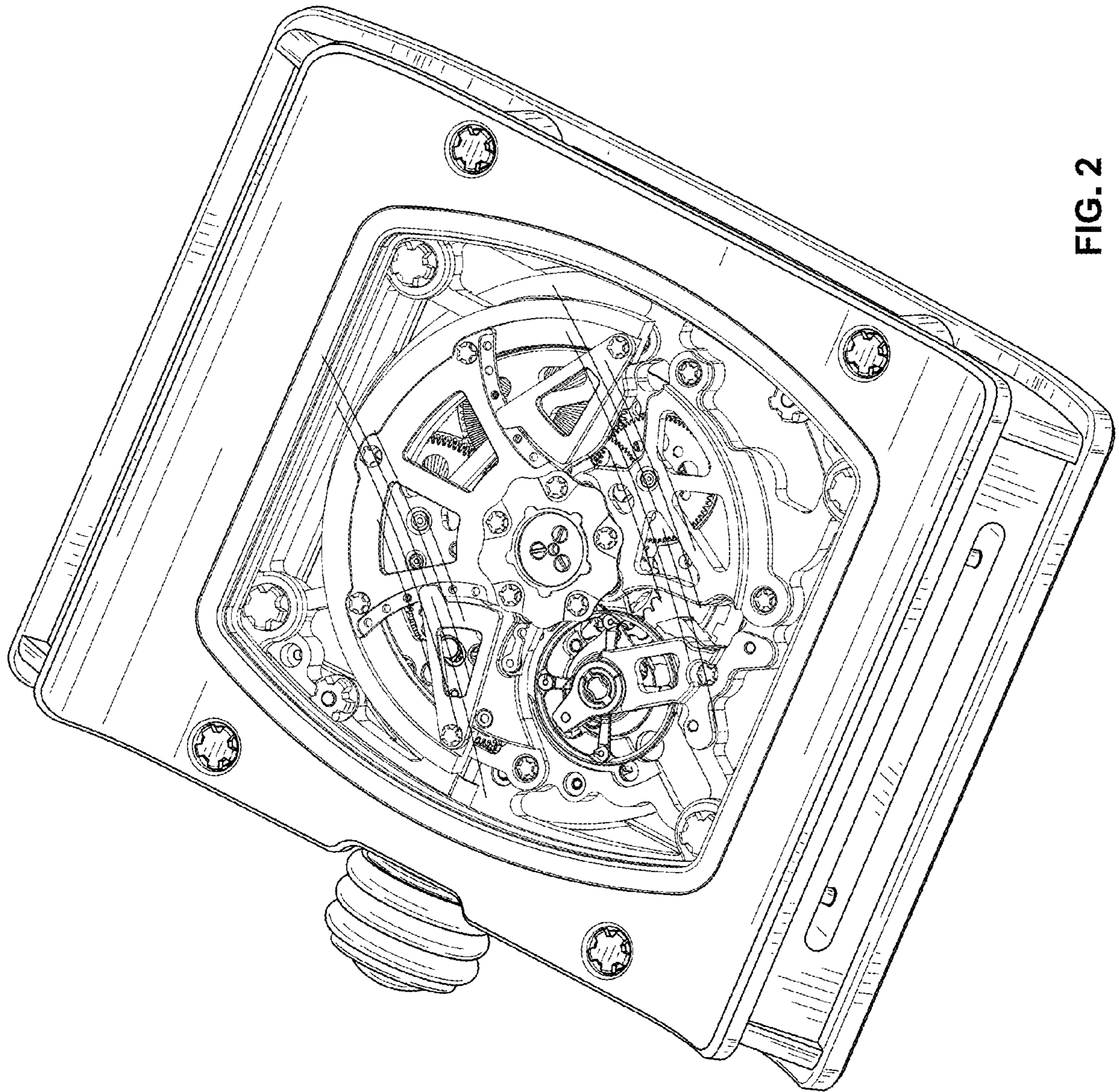


FIG. 2

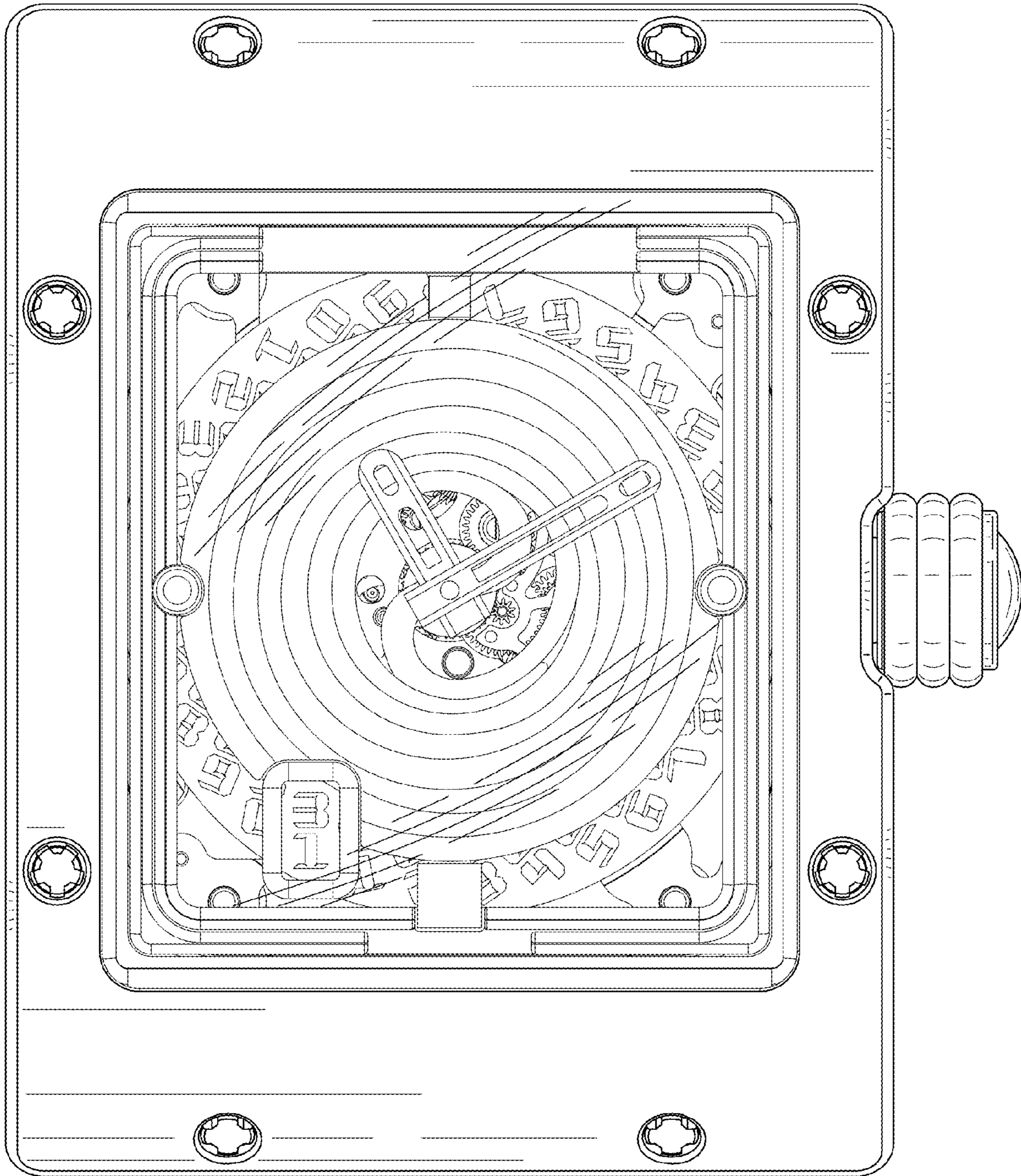


FIG. 3

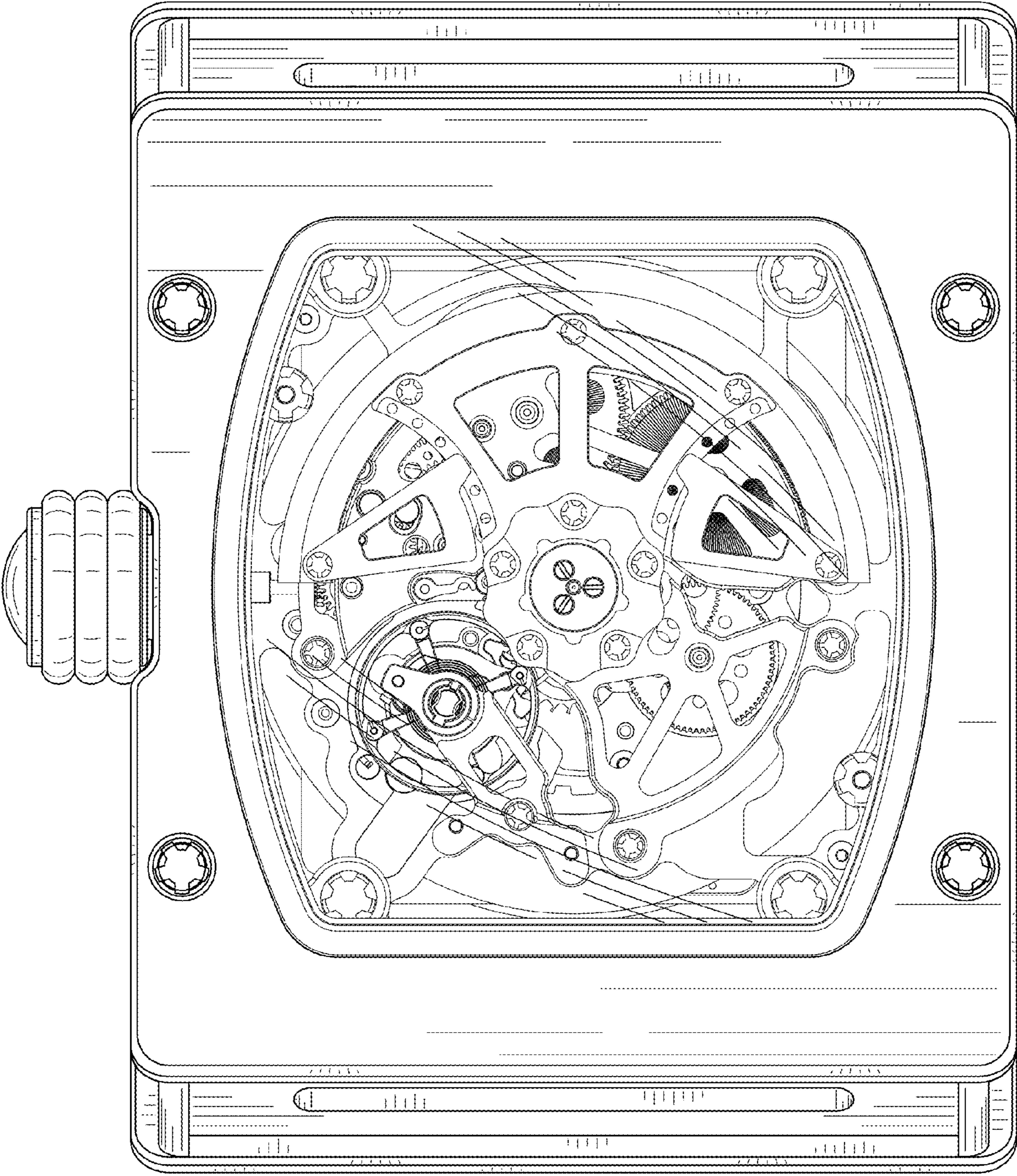


FIG. 4

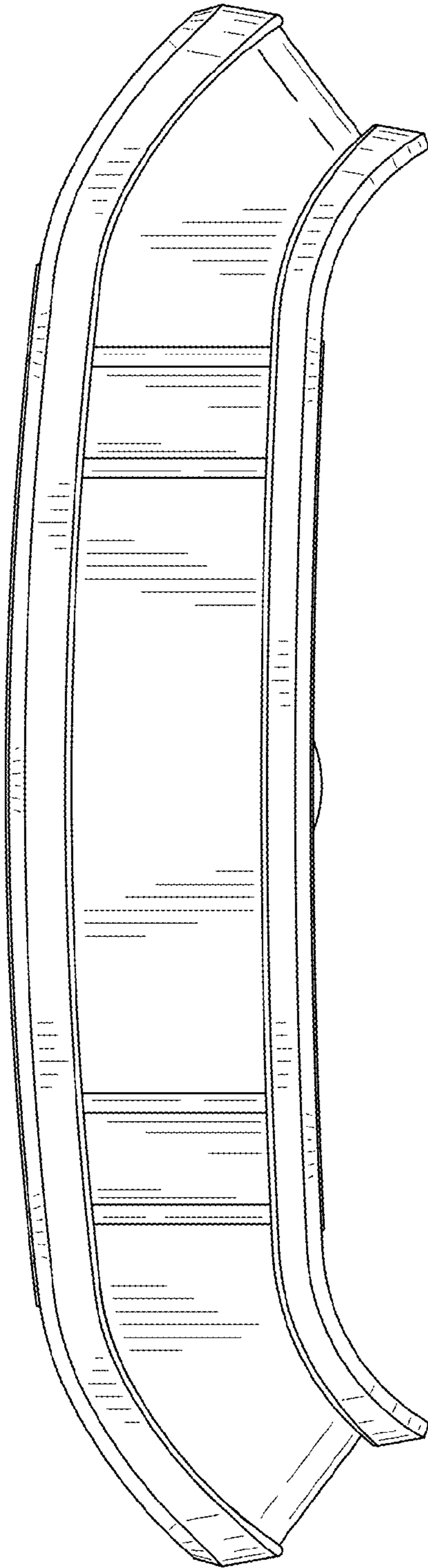


FIG. 5

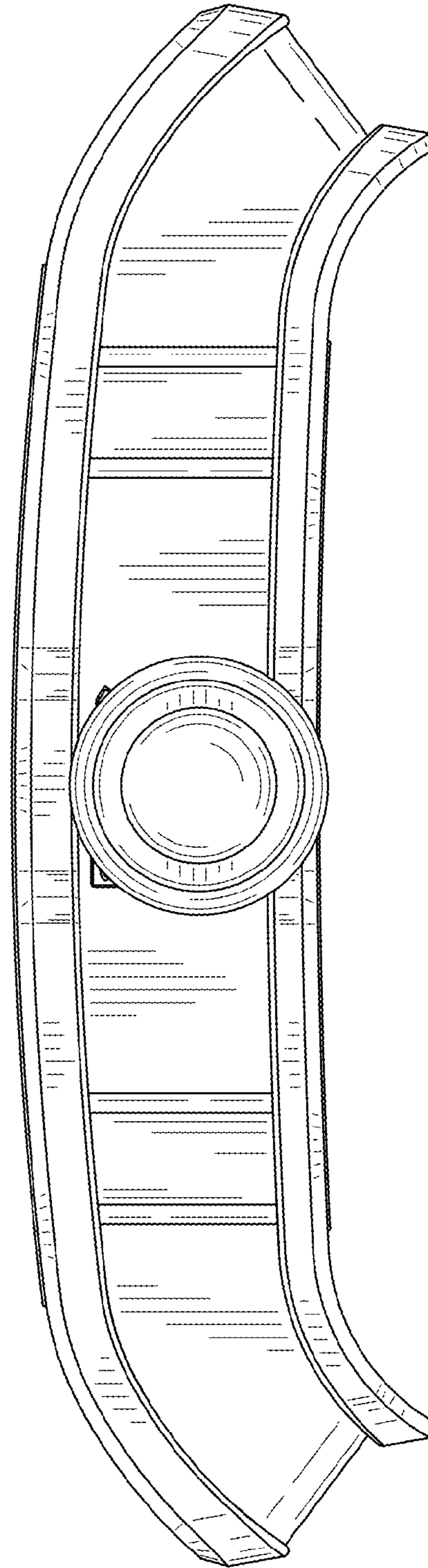


FIG. 6

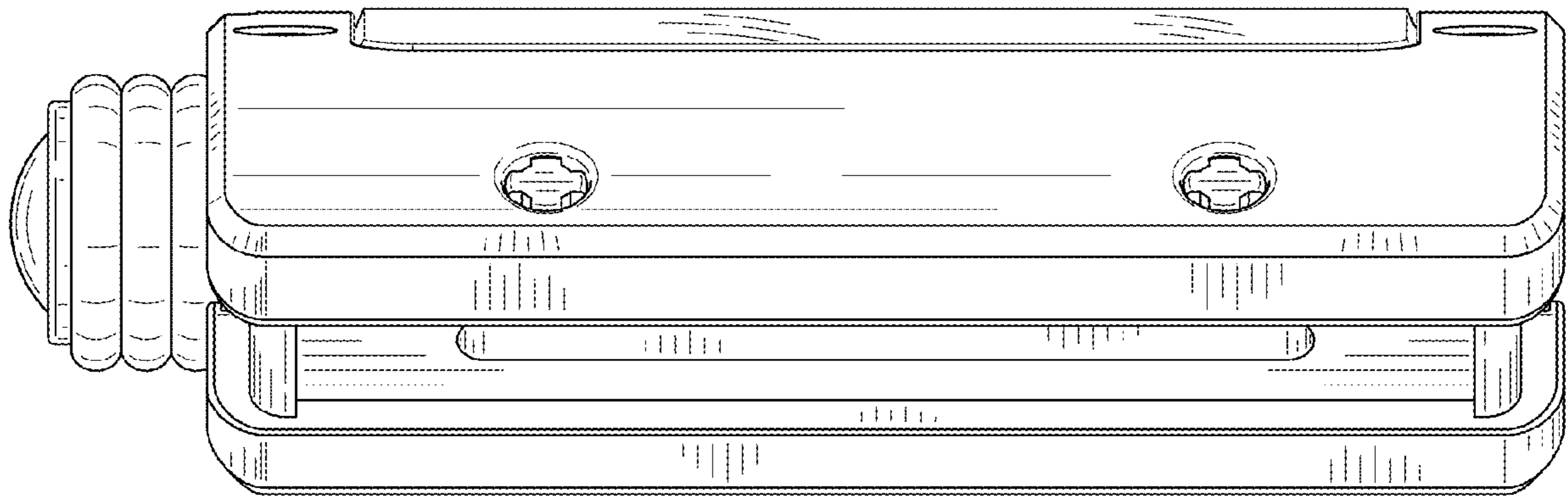


FIG. 7

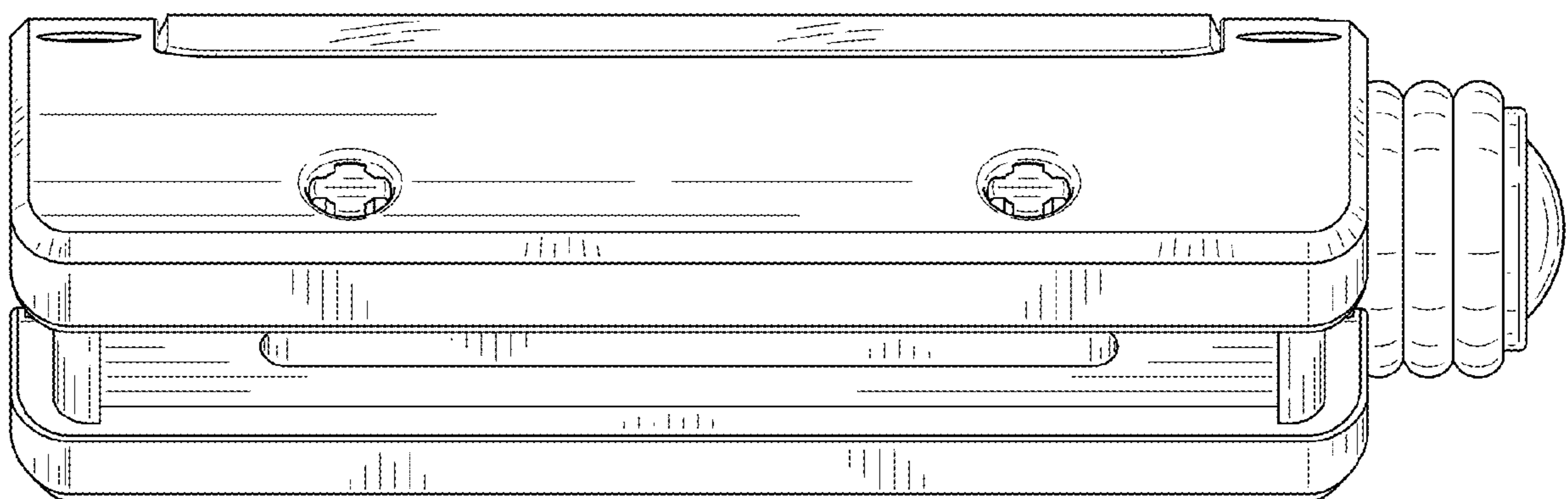


FIG. 8



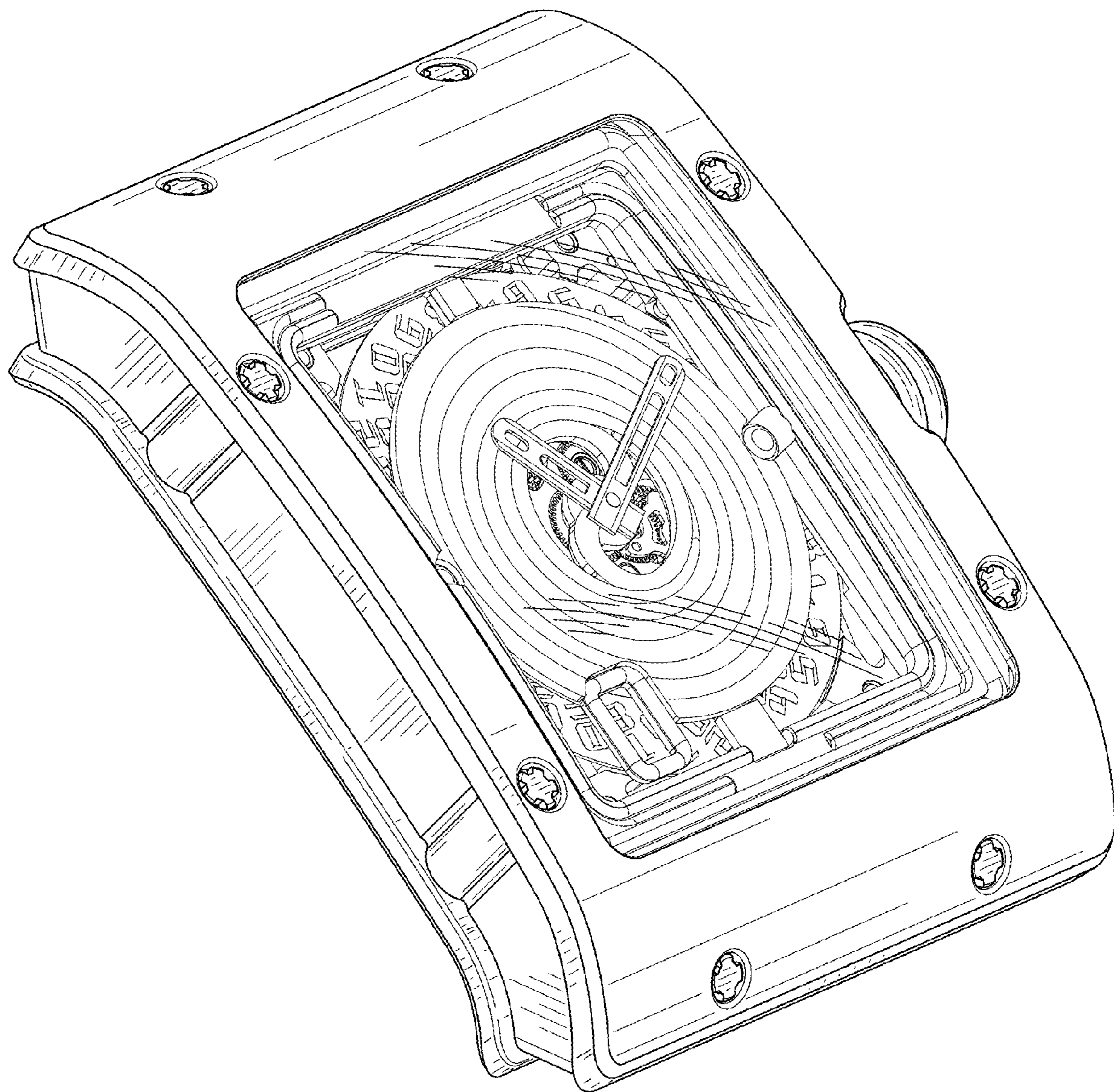


FIG. 9

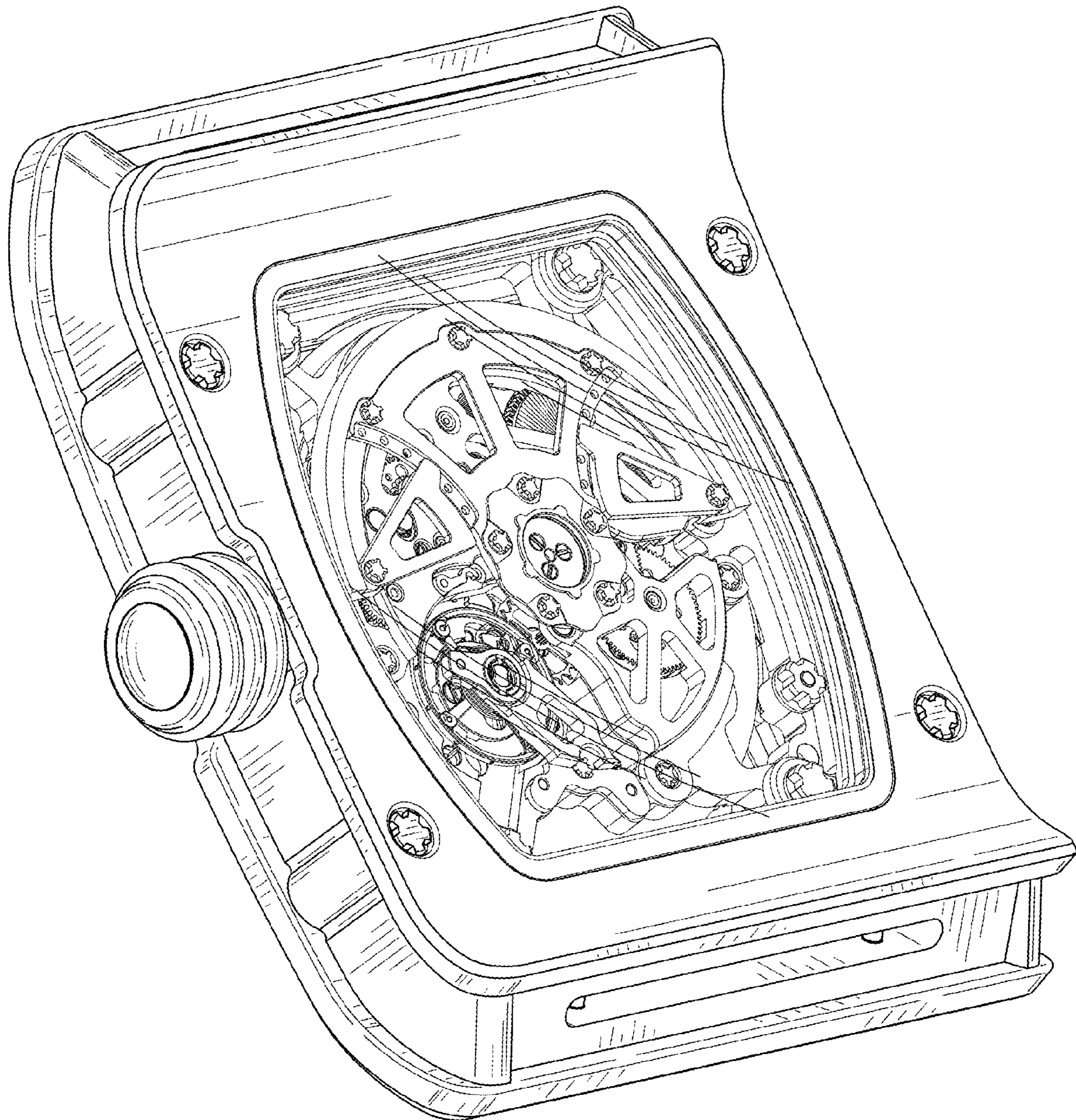


FIG. 10