



US00D913126S

(12) **United States Design Patent**
Mille

(10) **Patent No.:** **US D913,126 S**
(45) **Date of Patent:** **** Mar. 16, 2021**

- (54) **WATCH**
- (71) Applicant: **Turlen Holding SA**, Les Breuleux (CH)
- (72) Inventor: **Richard Mille**, Moulins (FR)
- (73) Assignee: **TURLEN HOLDING SA**, Les Breuleux (CH)
- (**) Term: **15 Years**
- (21) Appl. No.: **29/693,148**
- (22) Filed: **May 31, 2019**

D465,171 S *	11/2002	Lepou	D10/131
D497,825 S *	11/2004	Hill	D10/125
D559,722 S *	1/2008	Krieger	D10/131
D570,710 S *	6/2008	Wong	D10/30
D580,796 S *	11/2008	Calvani	D10/33
D595,595 S *	7/2009	Sirmakes	D10/32
D606,888 S *	12/2009	Mille	D10/38
D617,211 S *	6/2010	Grimoldi	D10/38
D650,708 S *	12/2011	Laucella	D10/39
D692,323 S *	10/2013	Mille	D10/39
D703,555 S *	4/2014	Monachon	D10/32
D710,216 S *	8/2014	Mille	D10/38

(Continued)

- (30) **Foreign Application Priority Data**
Dec. 3, 2018 (WO) WIPO 77632
- (51) **LOC (13) Cl.** **10-02**
- (52) **U.S. Cl.**
USPC **D10/39**
- (58) **Field of Classification Search**
USPC D10/30-39, 70, 97-98, 121-126, 128, D10/131
CPC G04B 19/00; G04B 19/025; G04B 19/04; G04B 19/048; G04B 19/08; G04B 19/085; G04B 19/10; G04B 19/12; G04B 19/226; G04B 19/23; G04B 37/00; G04B 37/0058; G04B 45/00; G04B 45/02; G04B 45/0038; G04B 45/0061; G04B 45/0069; G04B 45/0076; G04G 19/06; G04G 19/065; G04G 19/087; G04G 19/24; G04G 19/243; G04G 19/24306; G04G 19/247
See application file for complete search history.

- (56) **References Cited**
U.S. PATENT DOCUMENTS
D245,400 S * 8/1977 Osawa D10/30
D456,274 S * 4/2002 Mille D10/30

OTHER PUBLICATIONS

Ladies Watches are the Belles of the Ball at SIHH 2019 | posted at journal.hautehorlogerie.org Feb. 15, 2019 [online]. [retrieved Sep. 13, 2020] from Internet: <<https://journal.hautehorlogerie.org/en/in-the-name-of-the-father-son-and-tourbillon/>> (Year: 2019).*

(Continued)

Primary Examiner — Katherine Glennon
(74) *Attorney, Agent, or Firm* — Donald J. Ranft; Collen

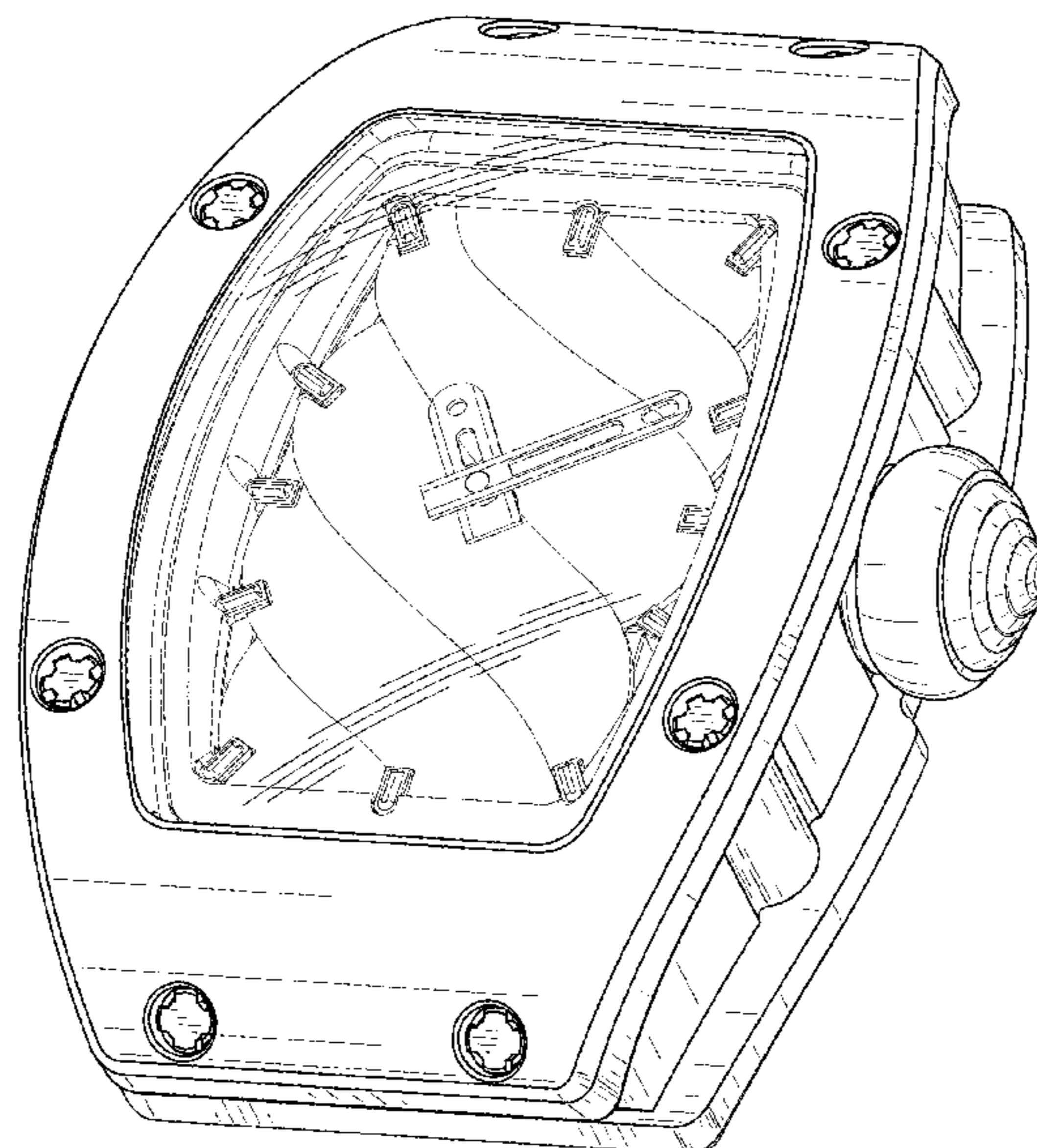
(57) **CLAIM**

The ornamental design for a watch, as shown.

DESCRIPTION

FIG. 1 is a front right perspective view of a watch showing my new design;
FIG. 2 is a rear left perspective view thereof;
FIG. 3 is a front view thereof;
FIG. 4 is a rear view thereof;
FIG. 5 is a left side view thereof;
FIG. 6 is a right side view thereof;
FIG. 7 is a top view thereof;
FIG. 8 is a bottom view thereof;
FIG. 9 is a front left perspective view thereof; and,
FIG. 10 is a rear right perspective view thereof.

1 Claim, 8 Drawing Sheets



(56)

References Cited

U.S. PATENT DOCUMENTS

D714,662 S * 10/2014 Mille D10/39
D715,164 S * 10/2014 Tedeschi D10/38
D723,964 S * 3/2015 Monachon D10/126
D743,814 S * 11/2015 Miodrag D10/39
D753,512 S * 4/2016 Mille D10/39
D765,521 S * 9/2016 Mille D10/30
D823,140 S * 7/2018 Mille D10/39

OTHER PUBLICATIONS

SIHH 2019 Richard Mille Bonbon Collection | posted at
timeandtidewatches.com Jan. 28, 2019 [online]. © 2020 Time and
Watches [retrieved Sep. 11, 2020] from Internet: <<https://www.timeandwatches.com/2019/01/sihh-2019-richard-mille-bonbon.html>> (Year: 2019).*

* cited by examiner

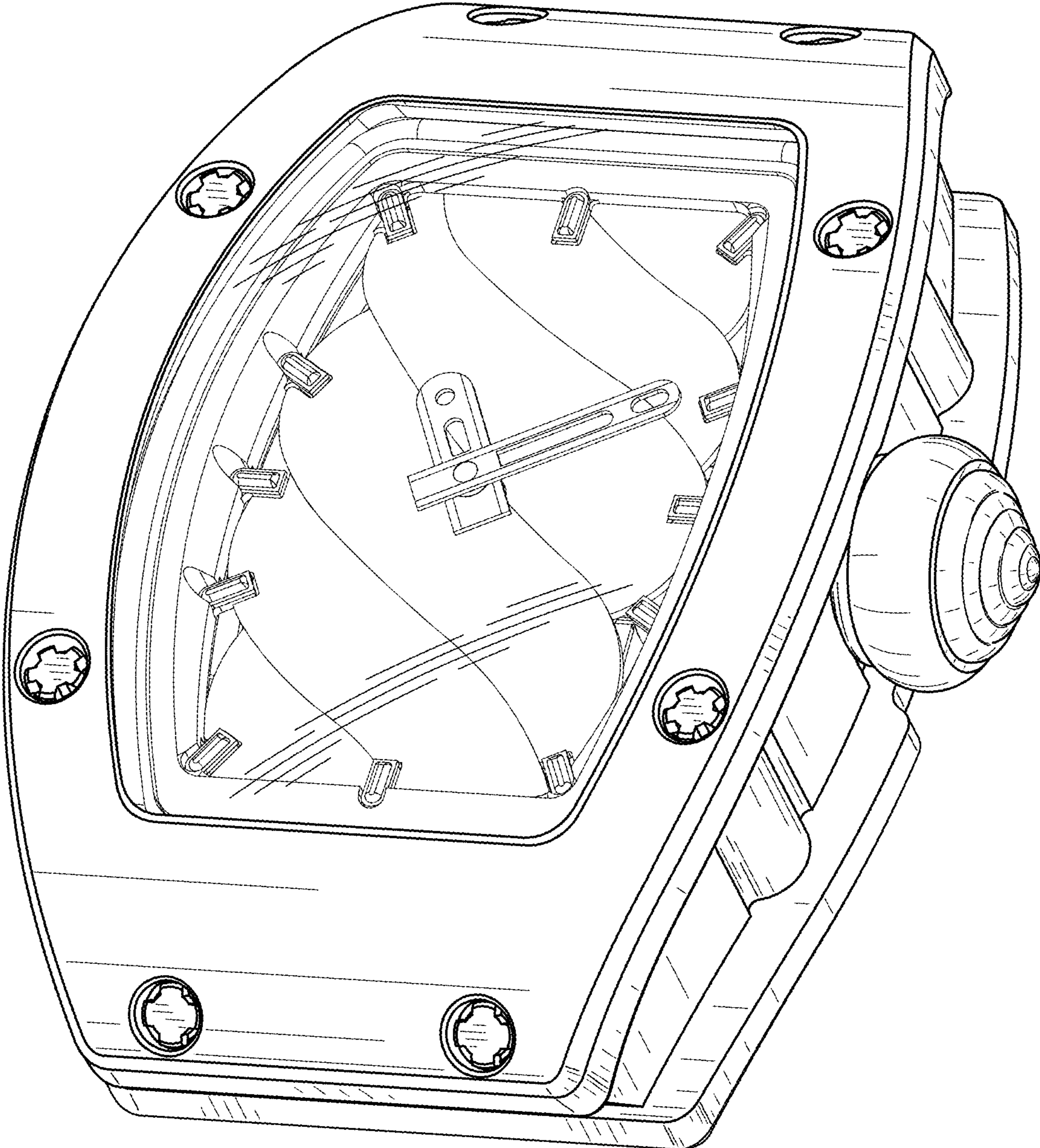


FIG. 1



FIG. 2

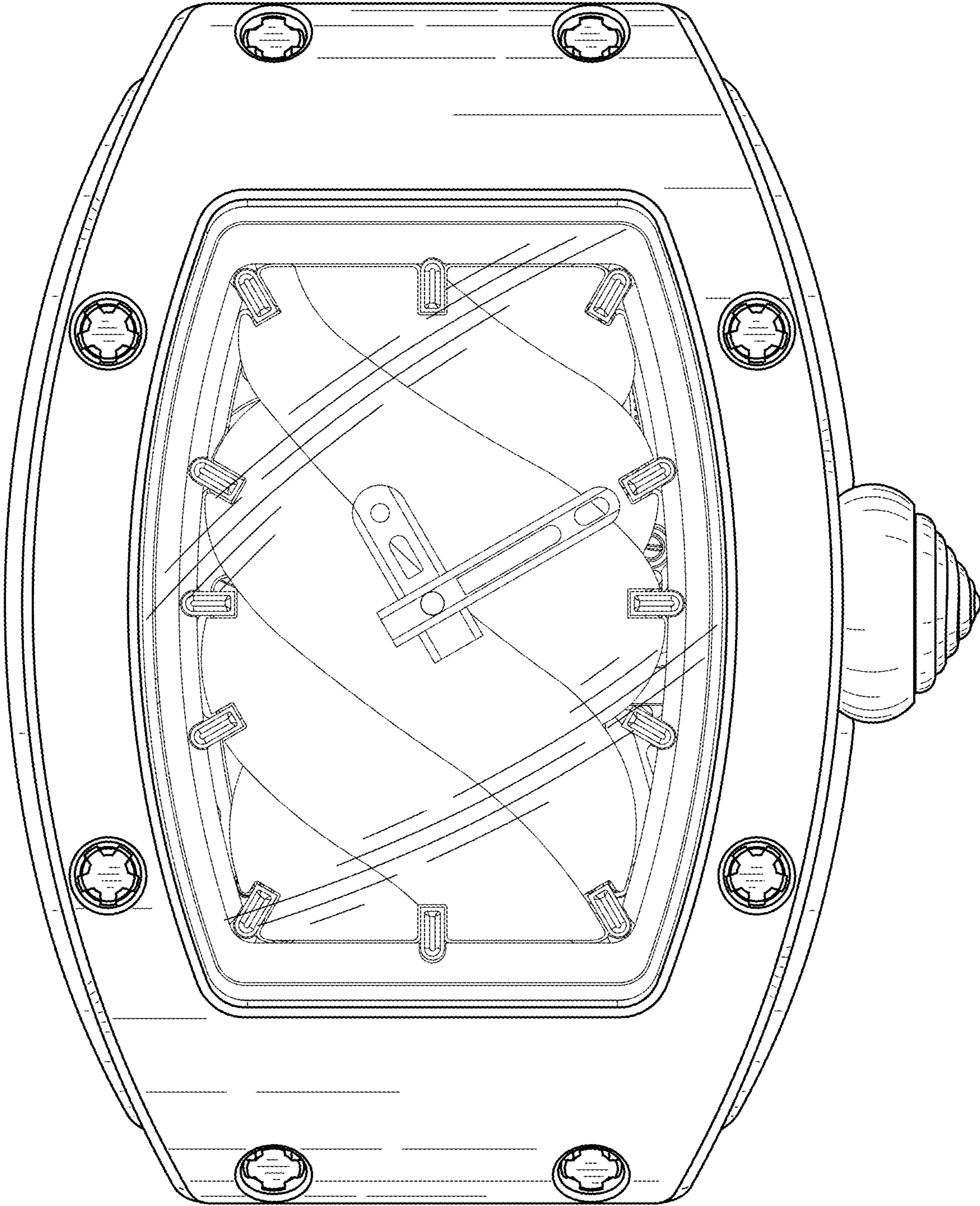


FIG. 3



FIG. 4

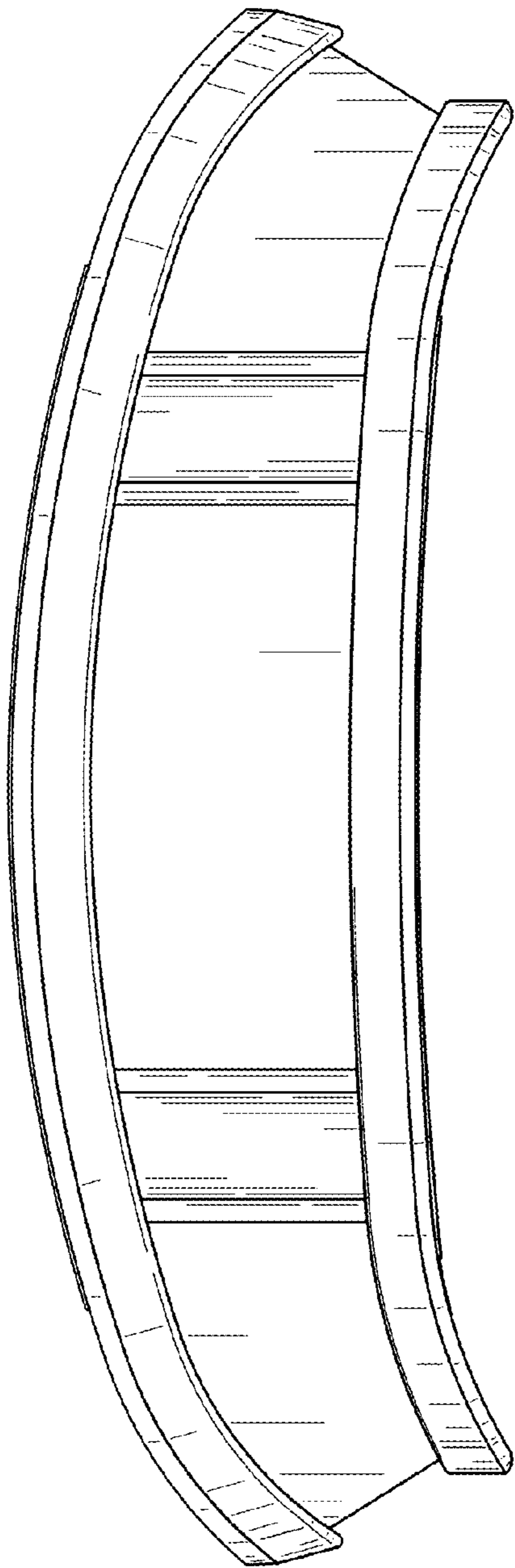


FIG. 5

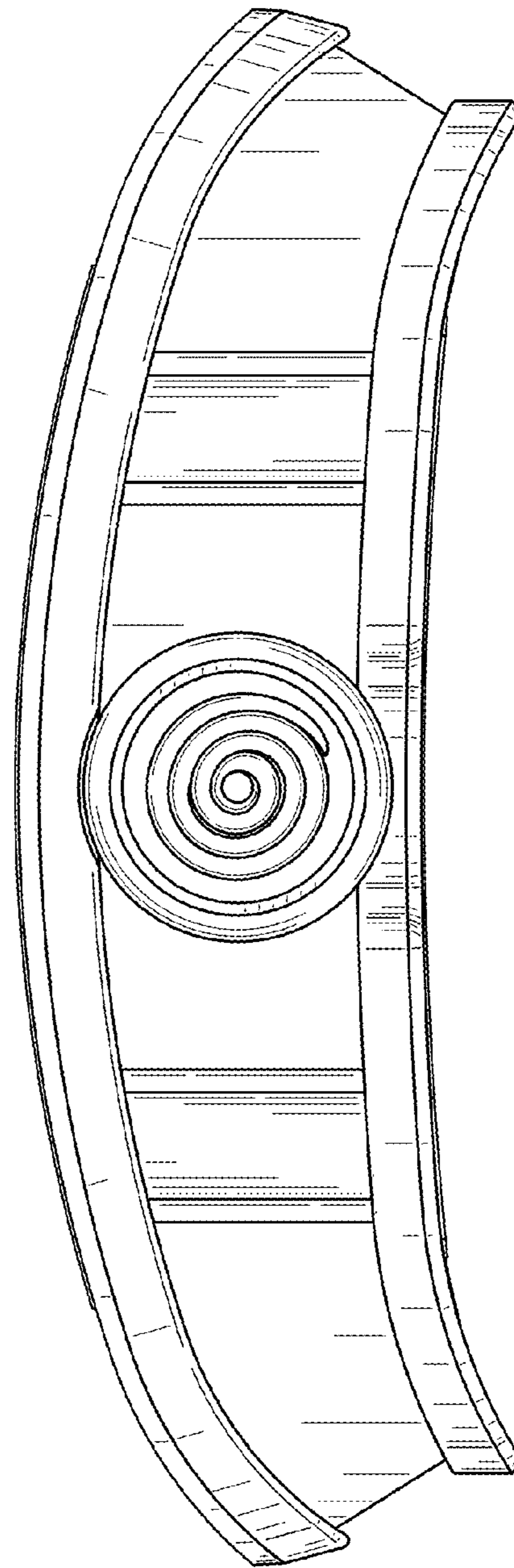


FIG. 6

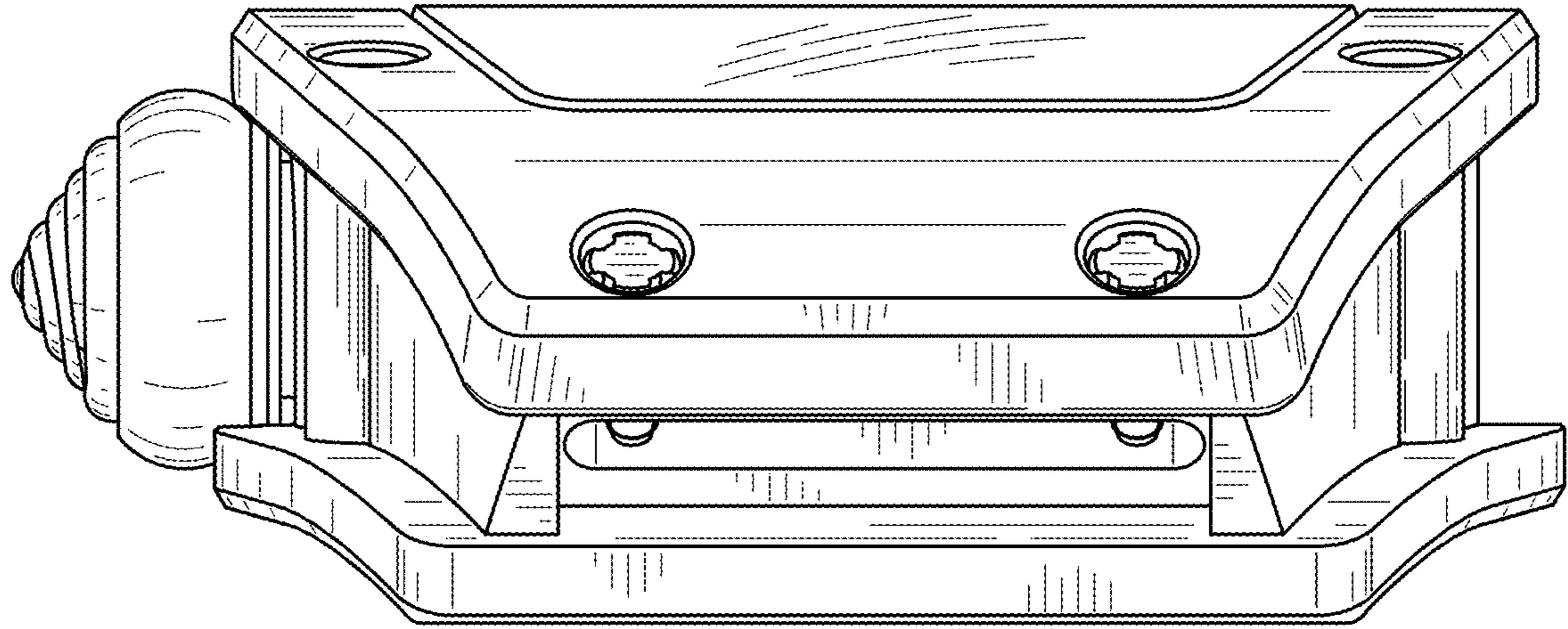


FIG. 7

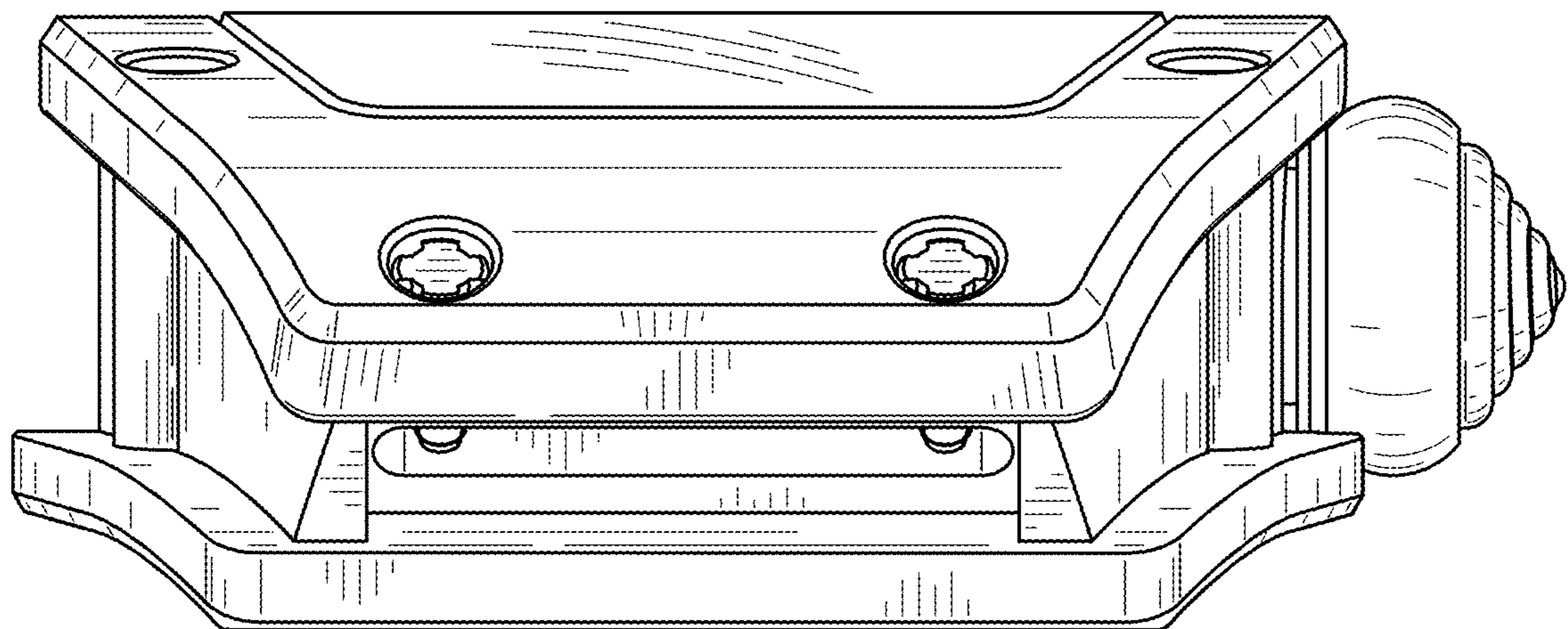


FIG. 8

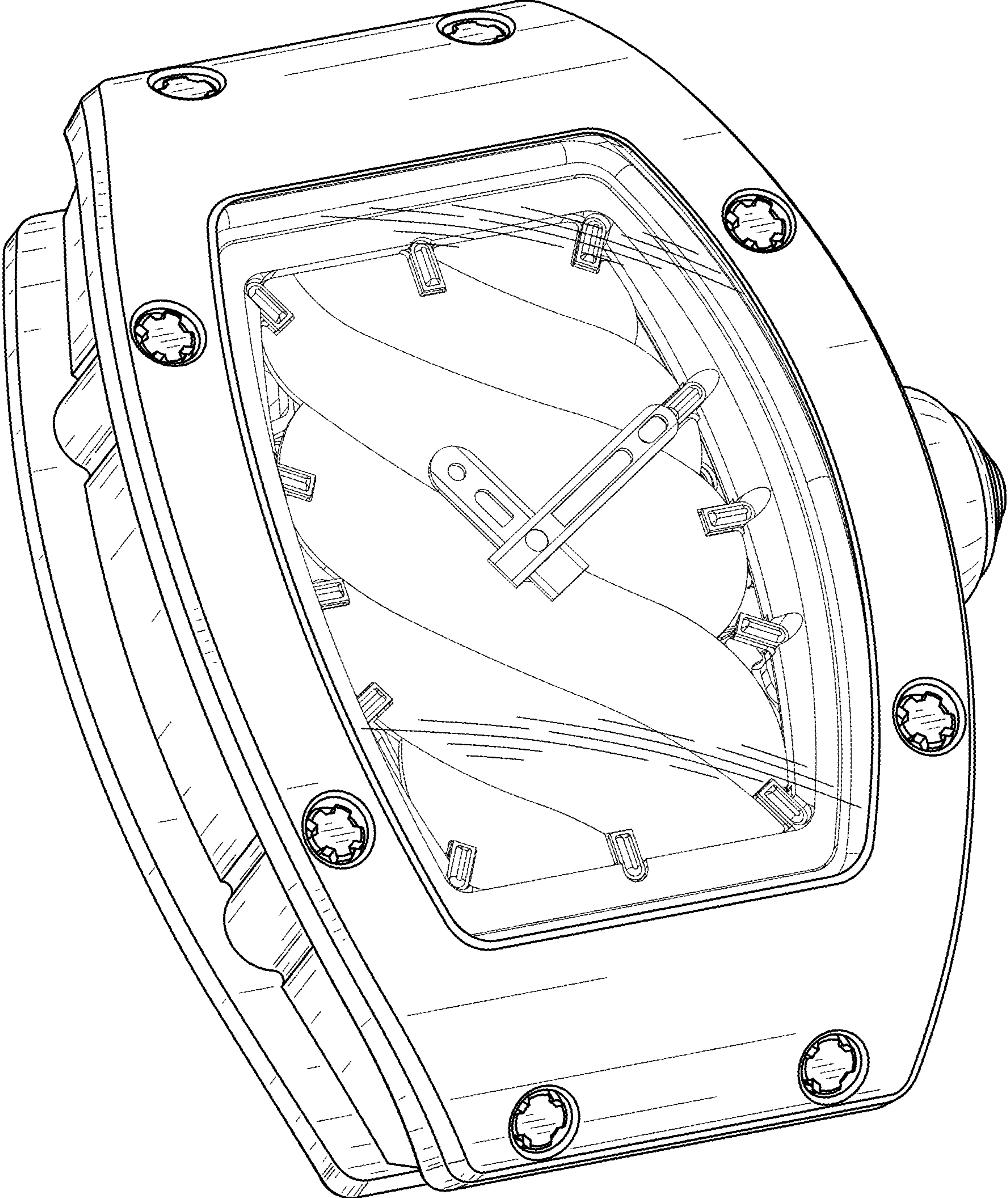


FIG. 9



FIG. 10