



US00D913121S

(12) **United States Design Patent** (10) **Patent No.:** **US D913,121 S**
Lalo (45) **Date of Patent:** **** Mar. 16, 2021**

(54) **WATCH**
(71) Applicant: **Invicta Watch Company of America, Inc.**, Hollywood, FL (US)
(72) Inventor: **Eyal Lalo**, Hallandale, FL (US)
(73) Assignee: **Invicta Watch Company of America, Inc.**, Hollywood, FL (US)
(**) Term: **15 Years**

D545,714 S * 7/2007 Nataf D10/126
D562,724 S * 2/2008 Lalo D10/32
D573,488 S * 7/2008 Sanz D10/39
D601,044 S * 9/2009 Lalo D10/39
D609,584 S * 2/2010 Lalo D10/32
D702,568 S * 4/2014 Lalo D10/38
8,851,743 B1 * 10/2014 Lalo G04B 3/043
368/315
9,086,717 B2 * 7/2015 Meerovitsch G05G 1/02
D818,377 S * 5/2018 Buonamassa Stigliani ... D10/39
D843,229 S * 3/2019 Miodrag D10/39

(21) Appl. No.: **29/642,260**
(22) Filed: **Mar. 28, 2018**
(51) **LOC (13) Cl.** **10-02**
(52) **U.S. Cl.**
USPC **D10/39**
(58) **Field of Classification Search**
USPC D10/30-39, 52-75, 98; D14/344
CPC G04B 3/046; G04B 3/048; G04B 19/00;
G04B 19/06; G04B 19/065; G04B 19/08;
G04B 19/082; G04B 19/085; G04B
19/087; G04B 19/10; G04B 19/103;
G04B 19/106; G04B 19/12; G04B 19/18;
G04B 19/22; G04B 19/24; G04B 19/241;
G04B 19/243; G04B 19/226; G04B
19/30; G04B 37/00; G04B 37/08; G04B
37/16; G04B 37/0058; G04B 45/0069;
G04B 45/0076; G04B 47/04; G04B
47/06; G04B 47/063; G04C 17/00
See application file for complete search history.

(56) **References Cited**
U.S. PATENT DOCUMENTS
D336,865 S * 6/1993 Besson D10/128
D485,767 S * 1/2004 Lalo D10/30
D502,408 S * 3/2005 Lalo D10/30
D519,389 S * 4/2006 Takahashi D10/32
D545,233 S * 6/2007 Nataf D10/126

OTHER PUBLICATIONS

Invicta Reserve Propeller Mens Quartz Watch | posted at invictastores.com no date [online]. © Invicta Stores [retrieved Sep. 16, 2019] from Internet: <<https://invictastores.com/yellow-tag/invicta-reserve-propeller-mens-quartz-525-mm-stainless-steel-titanium-case-white-black-dial-model-28549>> (Year: 2019).*

* cited by examiner

Primary Examiner — Katherine Glennon
(74) *Attorney, Agent, or Firm* — Seth Natter; Natter & Nater

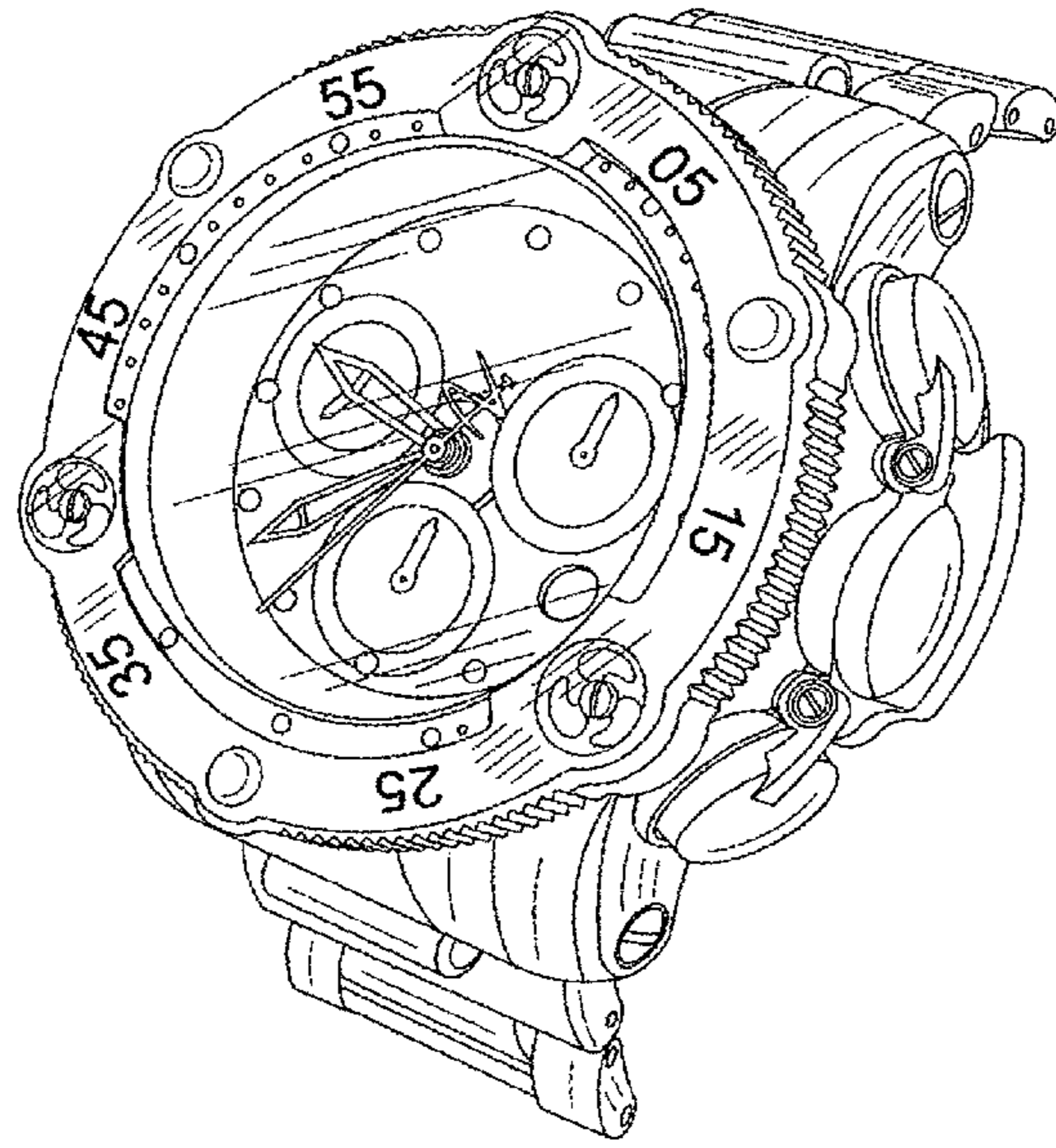
(57) **CLAIM**

The ornamental design for a watch, as shown and described.

DESCRIPTION

FIG. 1 is a perspective view of a watch showing my new design;
FIG. 2 is a top view thereof;
FIG. 3 is a bottom view thereof;
FIG. 4 is a right side view thereof;
FIG. 5 is a left side view thereof;
FIG. 6 is a front view thereof; and,
FIG. 7 is a back view thereof.
The broken lines show portions of the watch that form no part of the claimed design.

1 Claim, 7 Drawing Sheets



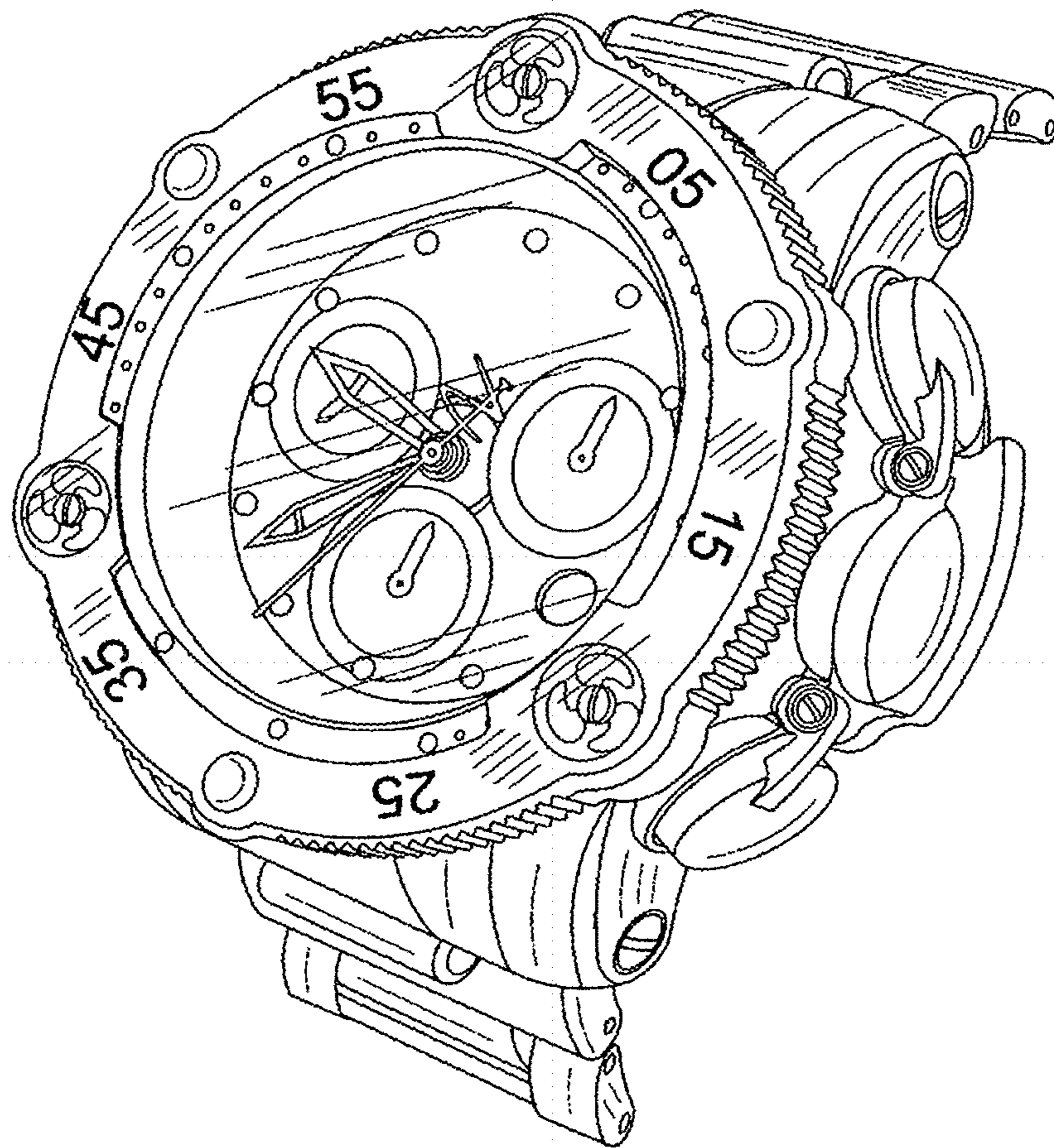


FIG. 1

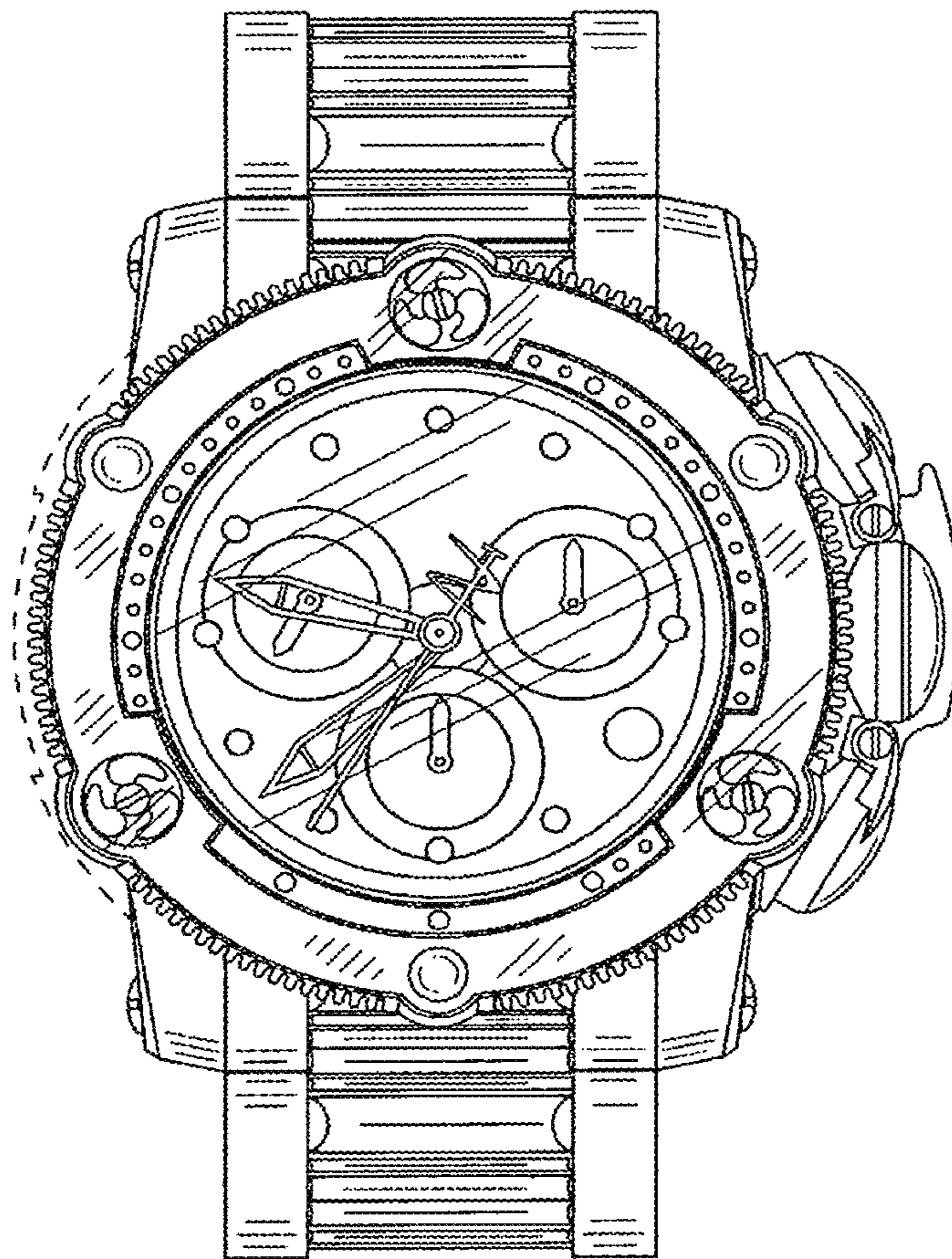


FIG. 2

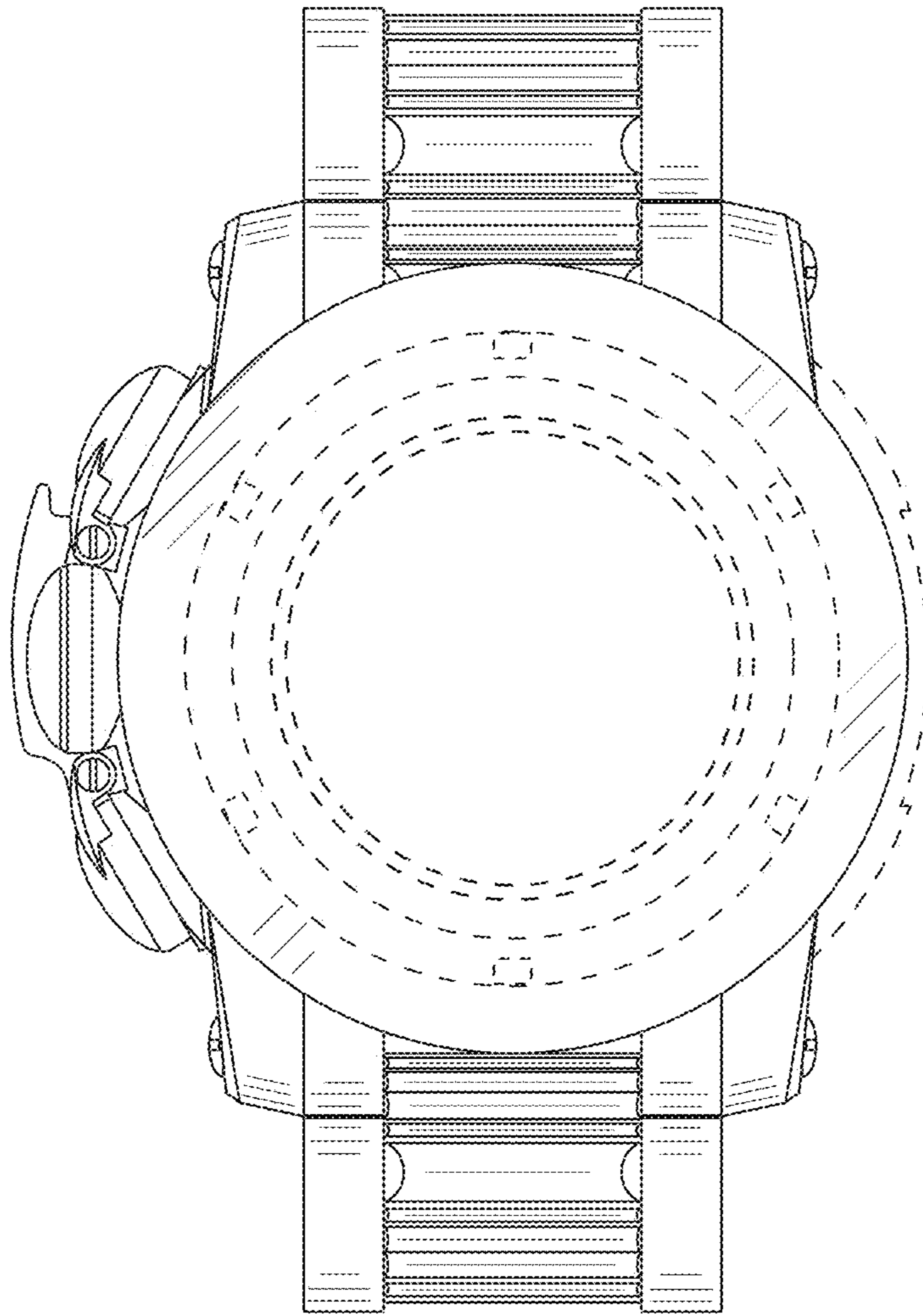


FIG. 3

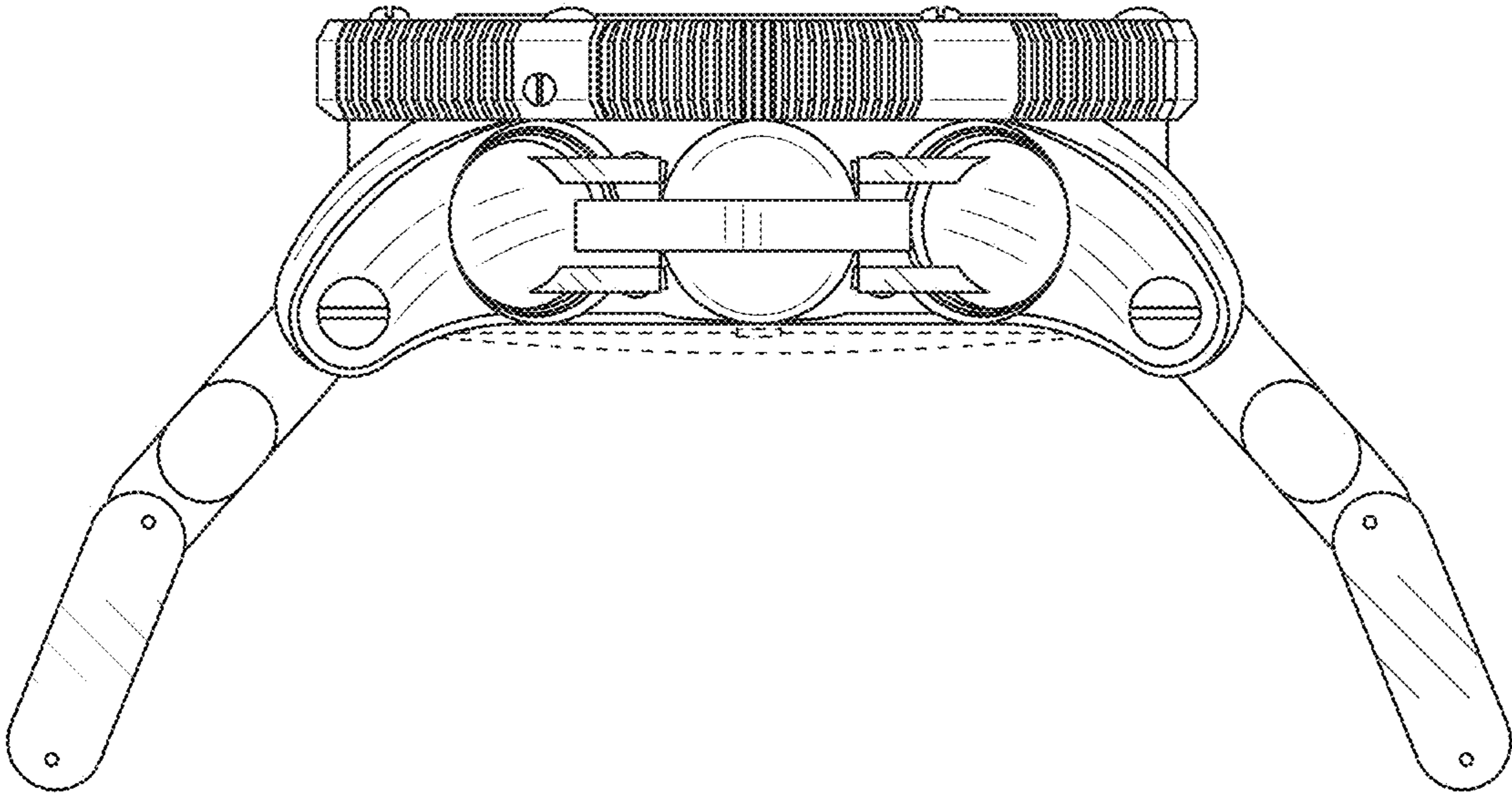


FIG. 4

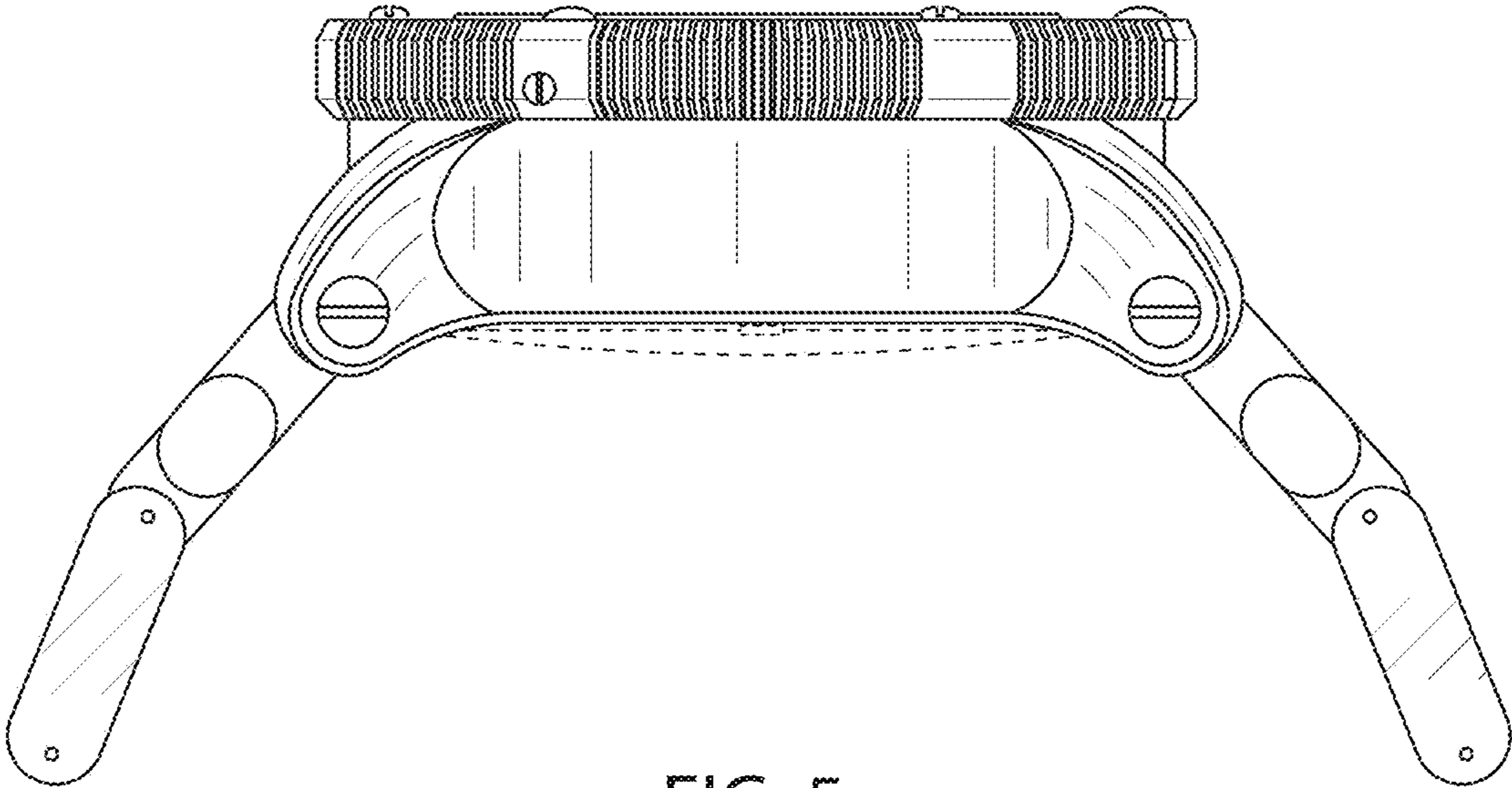


FIG. 5

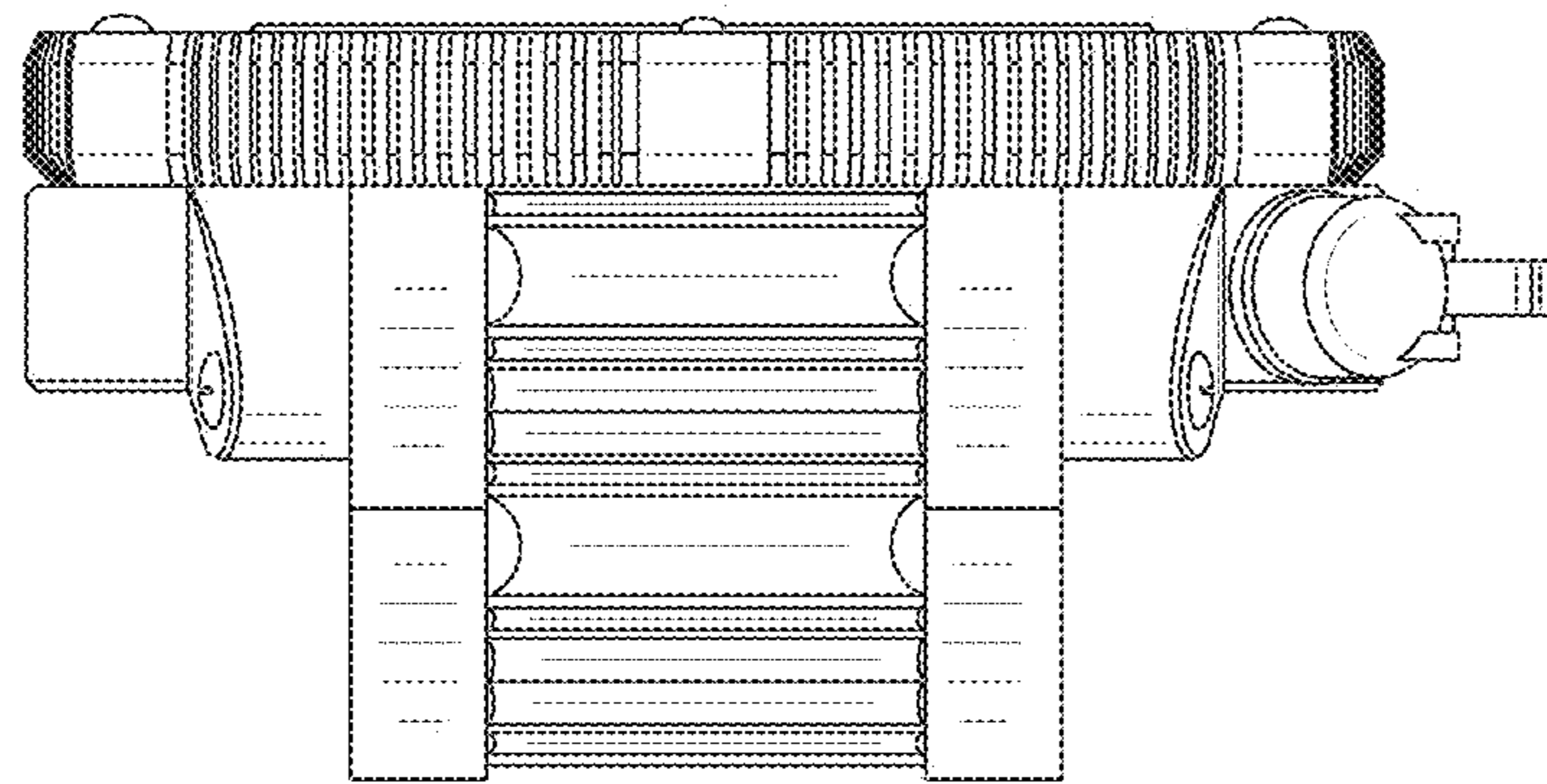


FIG. 6

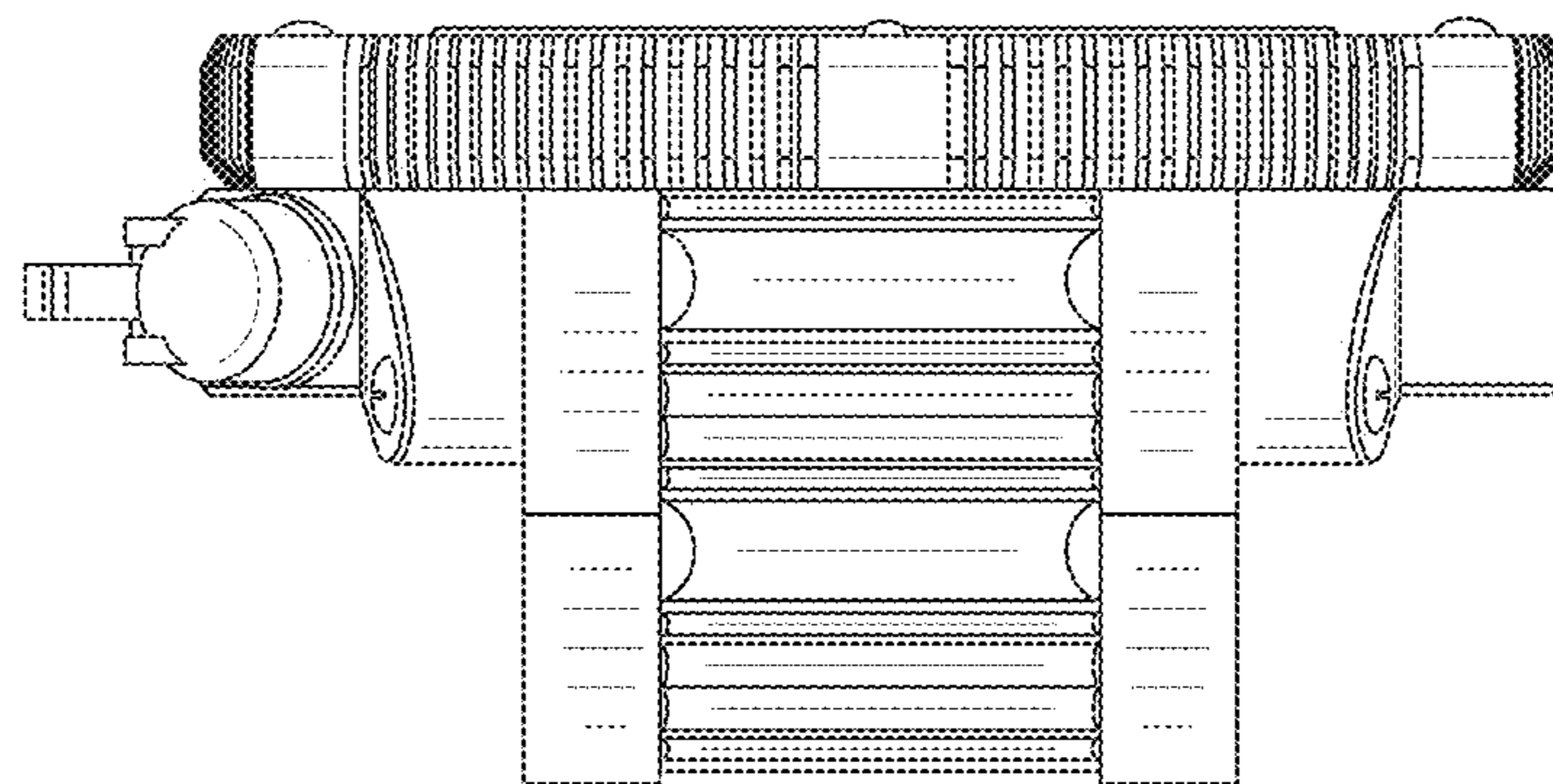


FIG. 7