



US00D913120S

(12) **United States Design Patent**  
**Yoshida**

(10) **Patent No.:** **US D913,120 S**

(45) **Date of Patent:** **\*\* Mar. 16, 2021**

- (54) **WATCHCASE**
- (71) Applicant: **Citizen Watch Co., Ltd.**, Nishitokyo (JP)
- (72) Inventor: **Marie Yoshida**, Kodaira (JP)
- (73) Assignee: **Citizen Watch Co., Ltd.**, Tokyo (JP)
- (\*\*) Term: **15 Years**
- (21) Appl. No.: **29/684,325**
- (22) Filed: **Mar. 20, 2019**
- (51) **LOC (13) Cl.** ..... **10-02**
- (52) **U.S. Cl.**  
USPC ..... **D10/38**
- (58) **Field of Classification Search**  
USPC ..... D10/30-39, 65, 70, 98, 121-124, 126, D10/128, 131-132  
CPC ..... G04B 19/00; G04B 19/025; G04B 19/04; G04B 19/048; G04B 19/08; G04B 19/085; G04B 19/10; G04B 19/12; G04B 19/18; G04B 19/20; G04B 19/226; G04B 19/22; G04B 19/23; G04B 37/00; G04B 37/008; G04B 37/0058; G04B 37/1486; G04B 45/00; G04B 45/02; G04B 45/0038; G04B 45/0069; G04B 45/0076; G04B 27/02; G04B 27/002; G04B 27/004; G04G 19/06; G04G 19/065; G04G 19/087  
See application file for complete search history.

- 5,331,610 A \* 7/1994 Kikuchi ..... A44C 5/14 224/164
- D378,805 S \* 4/1997 Riley ..... D10/30
- D390,788 S \* 2/1998 Parmigiani ..... D10/30
- D457,441 S \* 5/2002 Modolo ..... D10/39
- D472,157 S \* 3/2003 Takahashi ..... D10/32
- D484,423 S \* 12/2003 Takahashi ..... D10/32
- 6,847,589 B2 \* 1/2005 Wilmouth ..... G04B 19/268 368/16
- D519,389 S \* 4/2006 Takahashi ..... D10/32
- D538,181 S \* 3/2007 Sugiura ..... D10/31
- D565,426 S \* 4/2008 Rabassa
- D675,940 S \* 2/2013 Sasaki ..... D10/32
- D737,692 S \* 9/2015 Yoshida ..... D10/32
- D758,887 S \* 6/2016 Sasaki ..... D10/30
- D759,504 S \* 6/2016 Sugiura ..... D10/30
- D807,762 S \* 1/2018 Sugiura ..... D10/30
- D813,689 S \* 3/2018 Yoshida ..... D10/30
- D831,507 S \* 10/2018 Sasaki ..... D10/30
- D847,003 S \* 4/2019 Yoshida ..... D10/38
- D847,004 S \* 4/2019 Yoshida ..... D10/38
- D847,663 S \* 5/2019 Kohda ..... D10/38
- D849,563 S \* 5/2019 Ohba ..... D10/30

\* cited by examiner

*Primary Examiner* — Katherine Glennon  
(74) *Attorney, Agent, or Firm* — RatnerPrestia

(57) **CLAIM**

The ornamental design for a watchcase, as shown and described.

**DESCRIPTION**

FIG. 1 is a perspective view of a watchcase showing my new design;  
FIG. 2 is a front elevational view thereof;  
FIG. 3 is a left side elevational view thereof;  
FIG. 4 is a right side elevational view thereof;  
FIG. 5 is a rear elevational view thereof;  
FIG. 6 is a top plan view thereof; and,  
FIG. 7 is a bottom plan view thereof.

**1 Claim, 5 Drawing Sheets**

(56) **References Cited**

U.S. PATENT DOCUMENTS

- 4,653,933 A \* 3/1987 Reichel ..... G04B 37/225 224/164
- D333,988 S \* 3/1993 Dumas ..... D10/30
- D342,906 S \* 1/1994 Dumas ..... D10/126

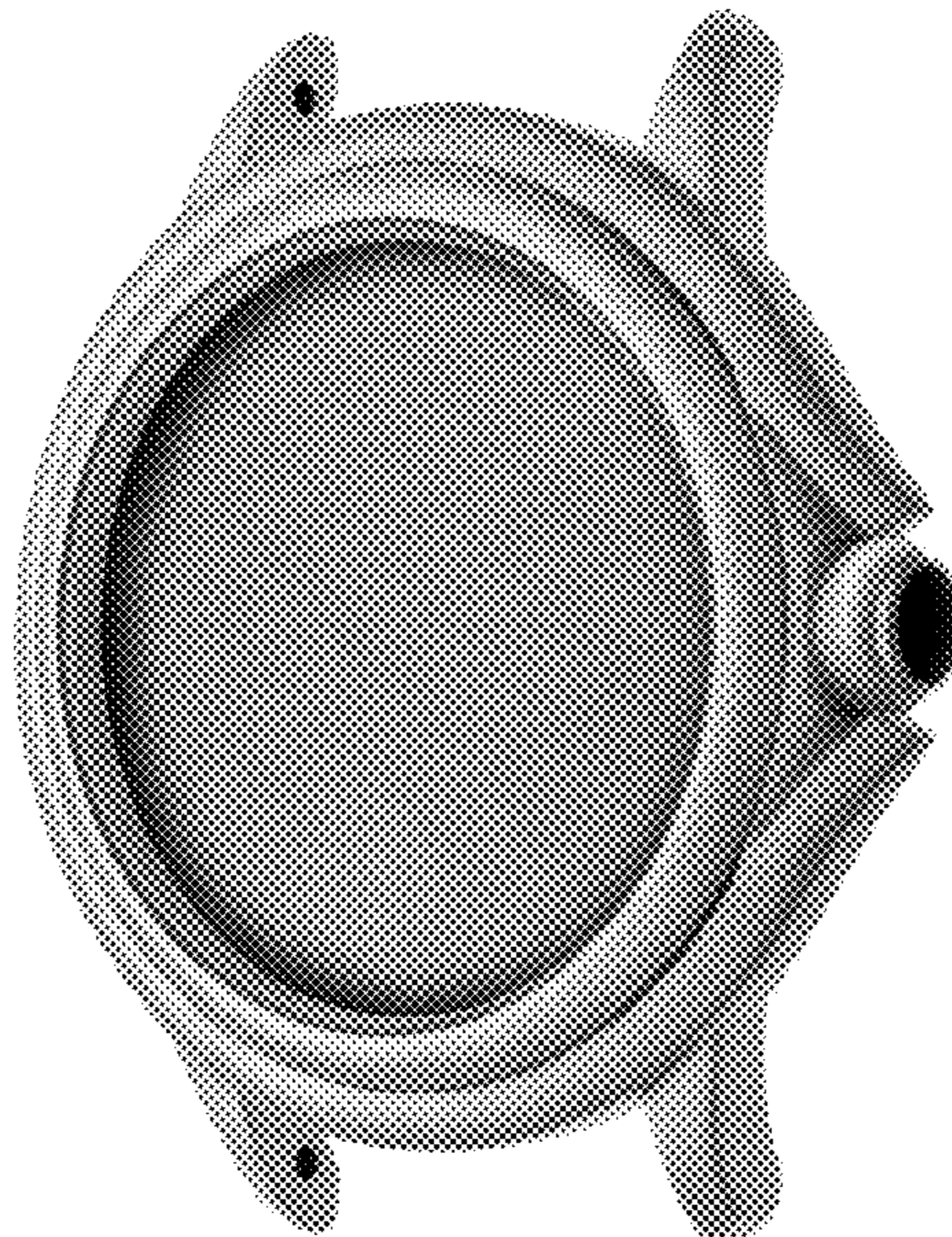


FIG. 1

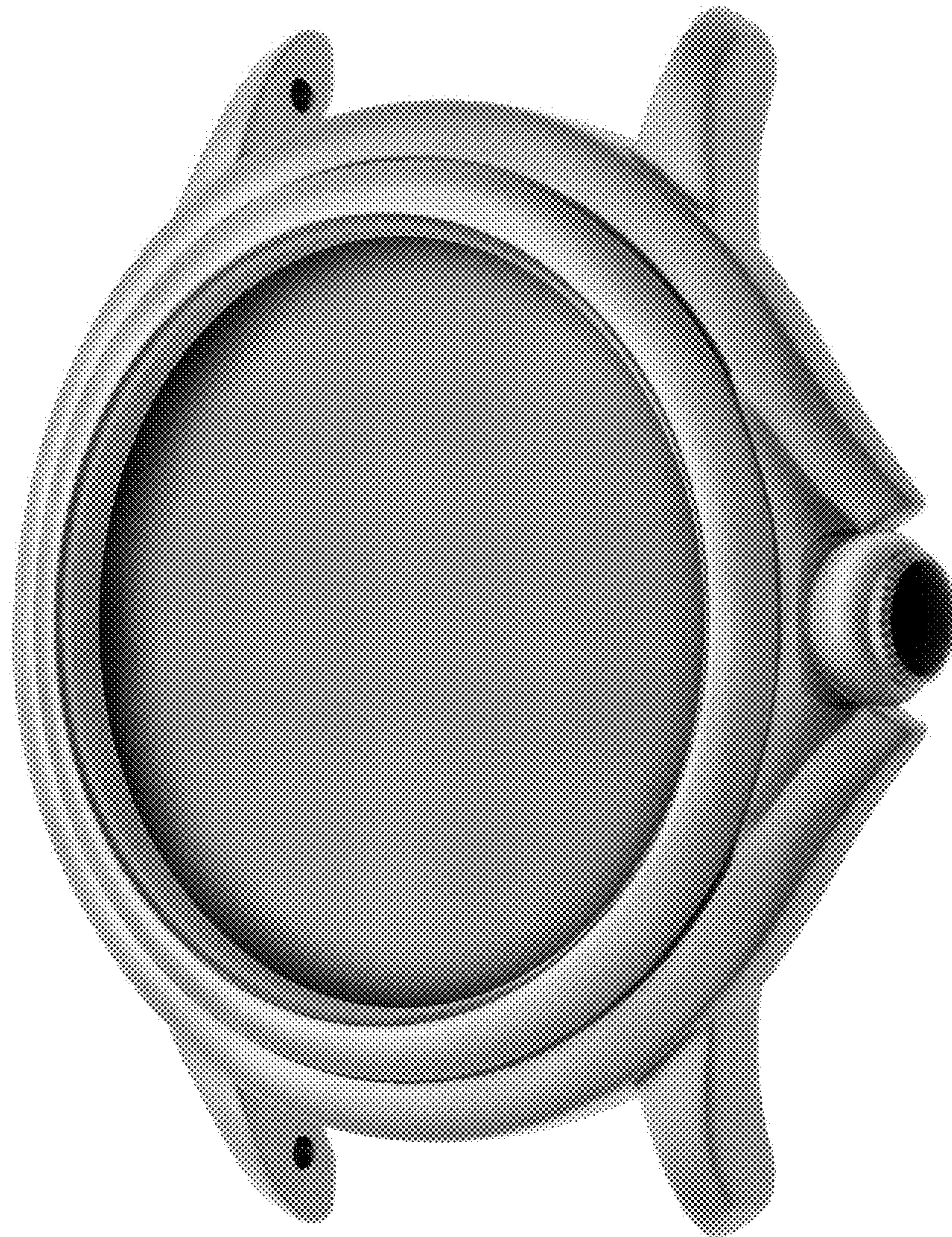


FIG. 2



FIG. 3

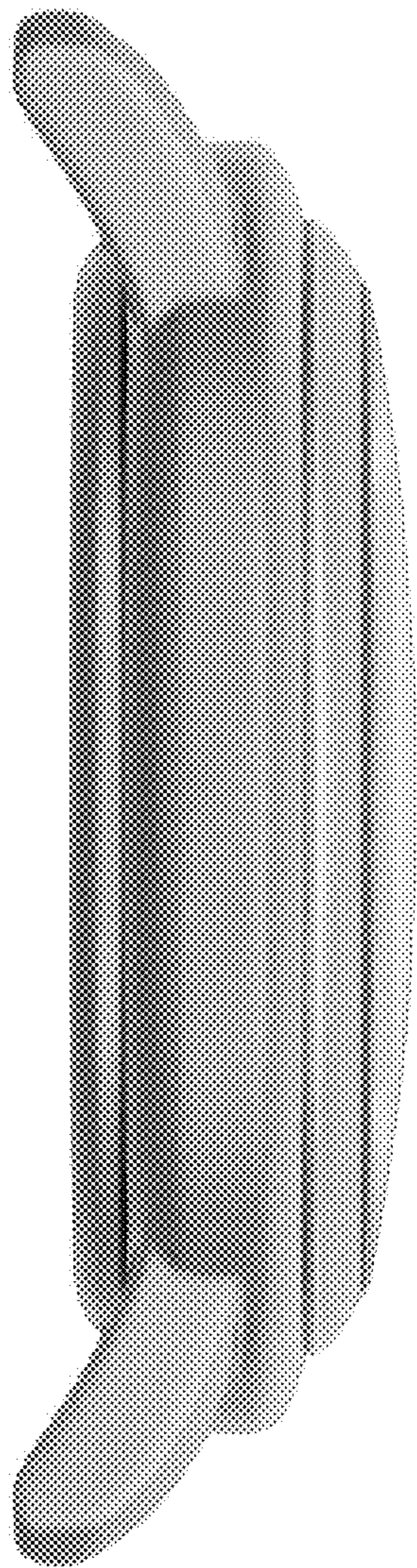


FIG. 4

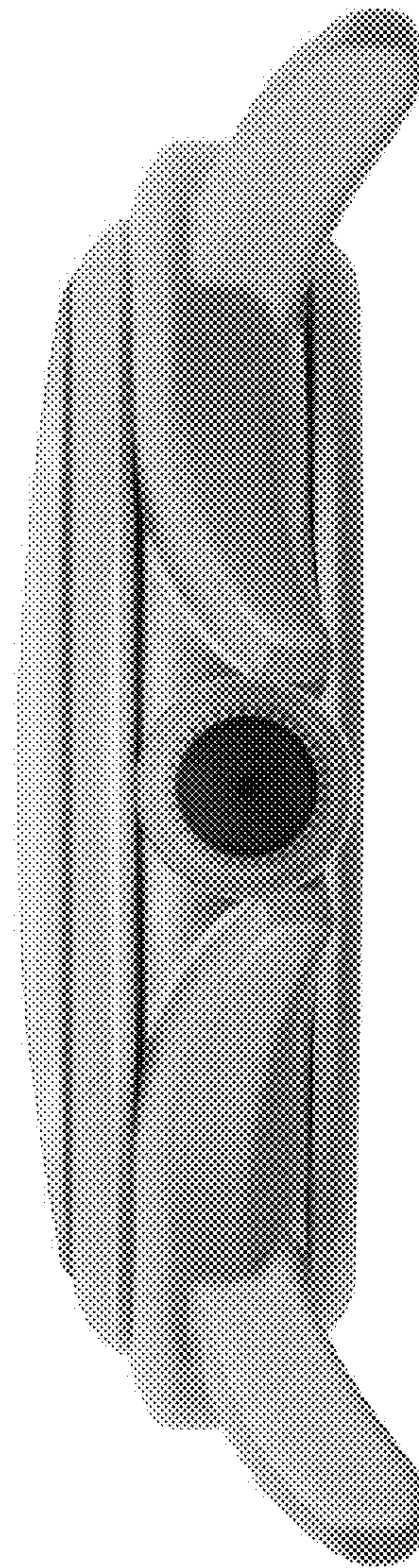


FIG. 5

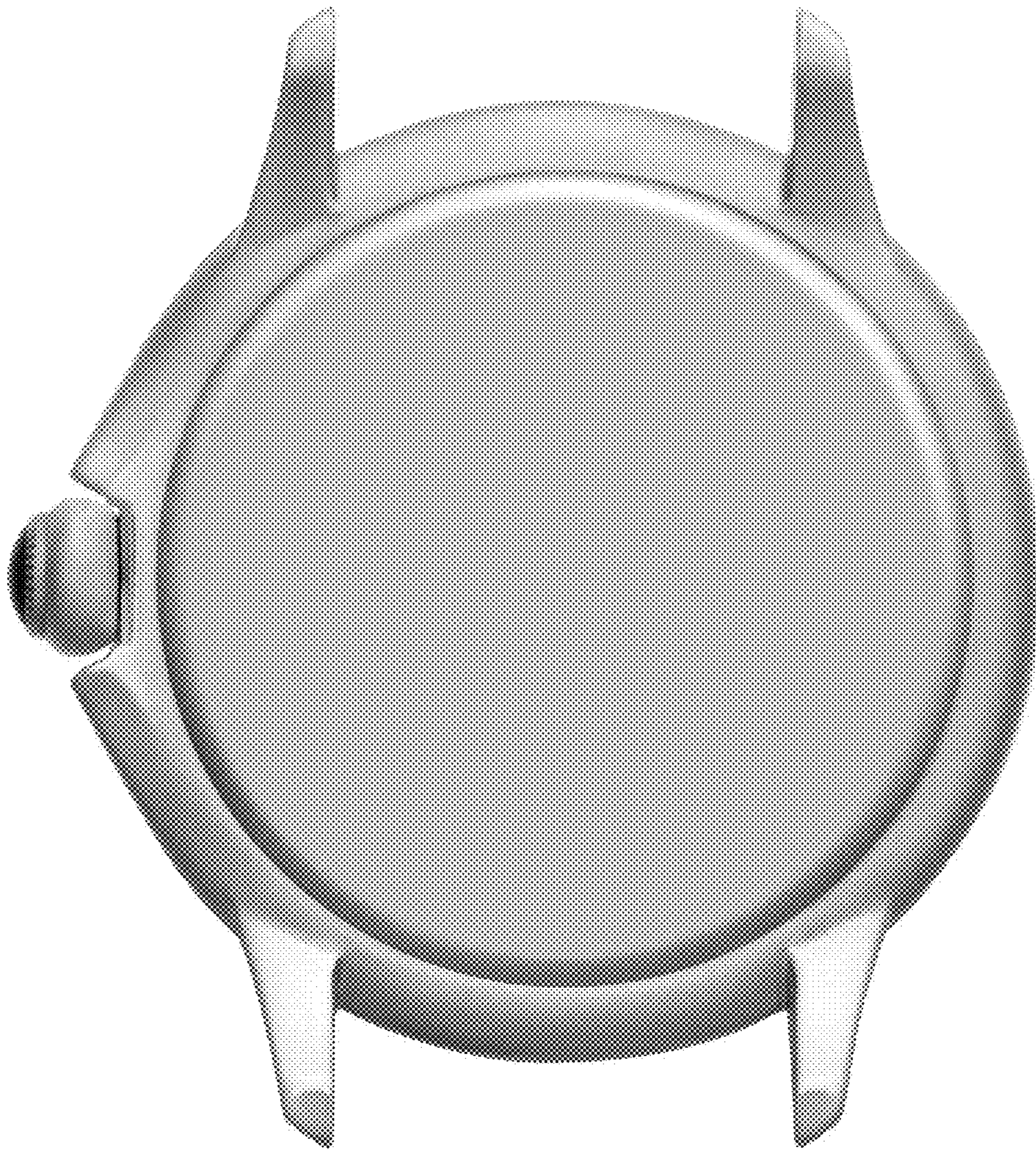


FIG. 6

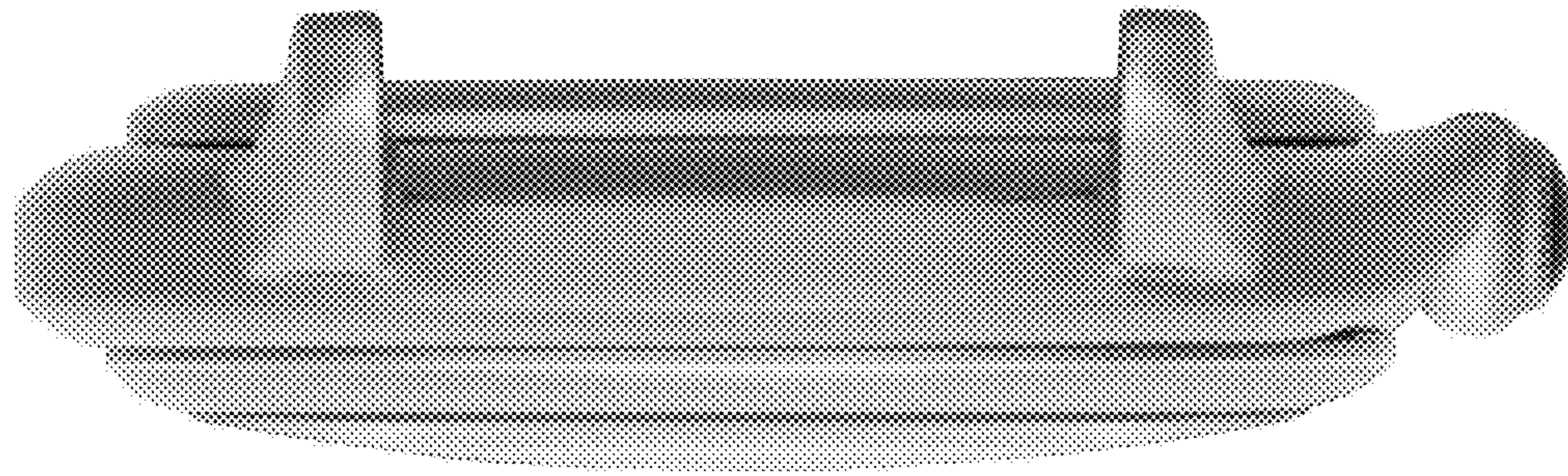


FIG. 7

