



US00D913118S

(12) **United States Design Patent** (10) **Patent No.:** **US D913,118 S**
Moilanen et al. (45) **Date of Patent:** **** *Mar. 16, 2021**

(54) **WATCH WITH DISPLAY**
(71) Applicant: **Garmin Switzerland GmbH**,
Schaffhausen (CH)
(72) Inventors: **Marcus A. Moilanen**, Olathe, KS (US);
Bridget N. Lisee, Overland Park, KS
(US); **Jared L. Mockler**, Olathe, KS
(US); **Brennan J. Trupka**, Overland
Park, KS (US)
(73) Assignee: **Garmin Switzerland GmbH**
(*) Notice: This patent is subject to a terminal dis-
claimer.
(**) Term: **15 Years**
(21) Appl. No.: **29/681,523**
(22) Filed: **Feb. 26, 2019**
(51) **LOC (13) Cl.** **10-02**
(52) **U.S. Cl.**
USPC **D10/38; D14/344**
(58) **Field of Classification Search**
USPC D10/30-41, 65, 70, 97-98, 104.2, 116.1,
D10/122, 128, 132; D14/344, 440;
D24/167, 186
CPC G04B 19/18; G04B 19/22; G04B 19/23;
G04B 19/228; G04B 37/00; G04B
39/002; G04B 39/006; G04B 39/02;
G04C 19/04; G04F 7/08; G04F 7/0842;
G04F 7/0861; G04F 7/0871; G04F
7/0876; G04G 17/02; G04G 17/045;
G04G 17/08; G04G 21/08; G04G 9/00
See application file for complete search history.

3,740,944 A 6/1973 Chopard 368/281
3,901,023 A 8/1975 Uebelhardt 68/281
D317,265 S 6/1991 Giolla et al. D10/39
D327,021 S * 6/1992 Burgener D10/30
5,226,023 A 7/1993 Grimm 368/281
D358,776 S * 5/1995 Pandel D10/30
D386,420 S * 11/1997 Kennedy D10/30
D386,435 S * 11/1997 Kennedy D10/122
D390,788 S * 2/1998 Parmigiani D10/30
D413,071 S * 8/1999 Fichter D10/126
D417,158 S 11/1999 Krauss D10/30
D459,241 S 6/2002 Bodino D10/32
D471,115 S 3/2003 Buechner D10/39

(Continued)

OTHER PUBLICATIONS

U.S. Appl. No. 29/653,529, Connor, D10/030, dated Jun. 15, 2018.
(Continued)

Primary Examiner — Katherine Glennon
(74) *Attorney, Agent, or Firm* — Samuel M. Korte; Max
M. Ali

(57) **CLAIM**

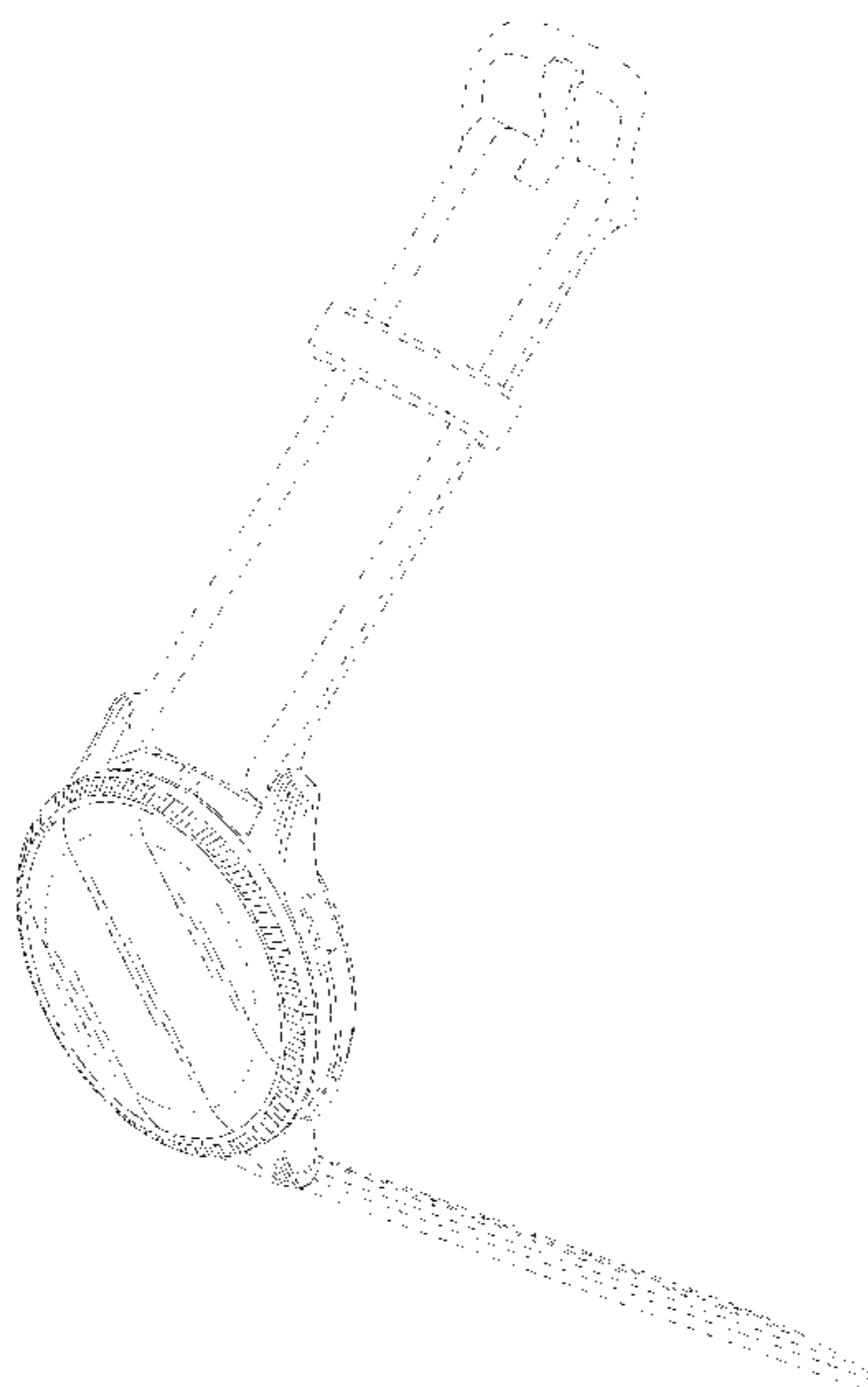
The ornamental design for a watch with display, as shown
and described.

DESCRIPTION

FIG. 1 is a front perspective view of a watch with display
according to the present invention;
FIG. 2 is a rear perspective view of the watch with display;
FIG. 3 is a top view of the watch with display;
FIG. 4 is a front view of the watch with display;
FIG. 5 is a bottom view of the watch with display;
FIG. 6 is a rear view of the watch with display;
FIG. 7 is a left side view of the watch with display; and,
FIG. 8 is a right side view of the watch with display.
The broken lines shown in the drawings represent portions
of the watch with display that form no part of the claimed
design.

1 Claim, 8 Drawing Sheets

(56) **References Cited**
U.S. PATENT DOCUMENTS
D222,784 S 12/1971 Granges D10/39
3,733,809 A 5/1973 Reiter et al. 368/232



(56)

References Cited

U.S. PATENT DOCUMENTS

6,577,558	B1	6/2003	Ricci	368/228
D504,624	S	5/2005	Bodino	D10/39
D538,182	S	3/2007	Lalo	D10/32
D573,486	S	7/2008	Sanz	D10/38
D585,310	S	1/2009	Allison	D10/39
D592,975	S	5/2009	Markl	D10/32
D607,346	S	1/2010	Bove et al.	D10/38
D610,922	S	3/2010	Lammers-Meis et al.	10/32
7,889,085	B2*	2/2011	Downey	G04G 21/00 340/573.1
D633,812	S	3/2011	Yurman	D10/32
D658,079	S	4/2012	Emch	D10/38
D658,518	S	5/2012	Behling	D10/39
D660,727	S*	5/2012	Parmigiani	D10/38
D661,206	S	6/2012	Register et al.	D10/38
D664,865	S	8/2012	Luk Ying Yee	D10/38
D682,712	S	5/2013	Lammers-Meis et al.	D10/38
D700,529	S*	3/2014	Berezkin	D10/35
D708,073	S*	7/2014	Parmigiani	D10/38
D725,529	S*	3/2015	Gueit	D10/128
D728,385	S*	5/2015	Nashimoto	D10/38
D756,240	S	5/2016	Register et al.	10/30
D756,805	S*	5/2016	Delhotal	D10/30
D758,889	S*	6/2016	Cerrato	D10/32
D767,566	S*	9/2016	Morgenroth	D14/344
D769,134	S*	10/2016	Schwamkrug	D10/38
D789,542	S*	6/2017	Lillquist	D24/167
D795,085	S*	8/2017	Monachon	D10/30
D795,086	S*	8/2017	Monachon	D10/30
D804,328	S*	12/2017	Sugiura	D10/30
D805,406	S	12/2017	Register et al.	10/30
D815,090	S*	4/2018	Chan	D14/344
10,030,994	B2*	7/2018	Roush	A61B 5/1118
D826,070	S*	8/2018	Parmigiani	D10/30
D827,640	S*	9/2018	Andersson	D14/344
D836,465	S	12/2018	Register et al.	D10/30
10,222,755	B2*	3/2019	Coakley	G04B 3/48
D844,458	S*	4/2019	Lillquist	D10/30
10,276,925	B2*	4/2019	Han	G04G 21/025
D848,864	S*	5/2019	Mockler	D10/30
D851,504	S*	6/2019	Henne	D10/30
D858,312	S*	9/2019	Liu	D10/30
2014/0225786	A1*	8/2014	Lyons	G04G 21/04 343/702
2015/0212491	A1*	7/2015	Tschumi	G04B 29/04 368/299

OTHER PUBLICATIONS

U.S. Appl. No. 29/653,530, Connor, D10/030, dated Jun. 15, 2018.
 Garmin Forerunner 405, published Jan. 2008.
 Garmin Forerunner 610, published Mar. 2011.
 Printout from <http://consumer.huawei.com/en/wearables/huawei-watch/index.htm> published prior to Dec. 15, 2016.
 Printout from <http://practicaltravelgear.blogspot.com/2008/07/timex-expedition-e-compass-titanium.html> published Jul. 2008.
 Printout from <http://www.chrono24.com/hublot/formula-1-king-power.fl-ceramic-limited-sealed-id1818204.htm> published prior to Dec. 15, 2016.
 Printout from <http://www.computerworld.com/article/2643100/moto-360-review-an-elegant-smartwatch-with-exceptional-features.html> published prior to May 8, 2015.

Printout from <http://www.cookoo2.com/>, published prior to May 21, 2015.
 Printout from <http://www.gpsrunningwatchreview.com/reviews/suunto-x10-review/> published Nov. 2010.
 Printout from <http://www.lindewerdelin.com/products/watches/spidolite>, published prior to May 21, 2012.
 Printout from http://www.ralphlauren.fr/category/index.jsp?categoryId=53519341&ab=fr_FR_Watches_LP_Slot_5_S1 published prior to Dec. 15, 2016.
 Printout from <http://www.suunto.com/en-US/Product-search/See-all-Sports-Watches/?sortBy=New&searchTerm=traverse&page=0> published prior to Dec. 15, 2016.
 Printout from <http://www.tanheuer.com/int-en/luxury-watches/carrera/carrera-calibre-heuer-01-chronograph-titanium-43mm-grey-others-bracelet> published prior to Aug. 15, 2016.
 Printout from <http://www.tagheuer.com/int-en/luxury-watches/carrera/carrera-calibre-1887automatic-chronograph43-mm-black-steel-bracelet-car2a10-ba0799>, published prior to Aug. 15, 2016.
 Printout from <http://www.t-touch.com/en-en/#!/t-touch-expert-solar> published prior to Dec. 15, 2016.
 Printout from <https://www.amazon.com/Salvatore-Ferragamo-F55LGO6877-S113-Carbon/dp/B007O20F08> published prior to Dec. 15, 2016.
 Printout from <https://www.amazon.com/Weler-K28-7100-Chronograph-ion-Plated-Stainless/dp/B001PRFJOY> published prior to Dec. 15, 2016.
 Printout from <https://www.audemarspiguat.com/en/watch-collection/royal-oak-offshore/> published prior to Dec. 15, 2016.
 Printout from https://www.bloomingdales.com/shop/product/g-shock-g-steel-53.8mm?ID=2725010&pla_country=US&cm_mmc=Google-PLA-ADC-Jewelry%20%26%20Accessories-NA-G-shock-889232168203USA&CAWELAID=120156070005934945&CAGSPN=pla&CAAGID=47685648719&CATCI=pla-383074689643&CATARGETID=1020156070006241384&cadevice=c&advice=c&gclid=EAlaQcbChMiyMbeIL3B1wIVk6DsCh3QDwnNMEAQYAS-ABEgJNgyD_BwE, published prior to Dec. 15, 2016.
 Printout from <https://www.motorola.com.au/products/moto-360-sport>, published prior to Feb. 20, 2019.
 Printout from <https://www.suunto.com/en-us/Sports-Watch-Collections/Suunto-Core-Collection/> published prior to Aug. 9, 2017.
 Printout from <https://www.suunto.com/en-us/Sports-Watch-Collections/Sunto-Spartan-Collection/>; published prior to Jun. 15, 2018.
 Printout from <https://www.suunto.com/en-us/Watch-Collection/Suunto-Kailash-Collection/> published prior to Jun. 15, 2018.
 Printout from <https://www.theverge.com/2019/2/4/16211261/samsung-galaxy-sport-leak-shows-a-sleek-bezel-less-smartwatch>, published prior to Feb. 20, 2019.
 Printout from <https://www.tissotwatches.com/en-gb/shop/tissot-t-touch-ii-titanium-gent-3.html> published prior to Aug. 9, 2017.
 Printout from www.dcrainmaker.com/2012/04/suunto-ambit-in-depth-review.html published prior to Sep. 29, 2015.
 Printout from www.suunto.com/en-US/Products/Sports-Watches/Suunto-Ambit2/Suunto-Ambit2-Black/ published prior to Sep. 29, 2015.
 Printout from www.theaaronloy.com/wp-content/uploads/2013/07/Casio-MT-G-G-Shock-Watch.ipq published prior to Sep. 29, 2015.
 Printout from www.watchtowhat.com/wp-content/uploads/2015/03/casio-edifice-8.ipq published prior to Sep. 29, 2015.

* cited by examiner

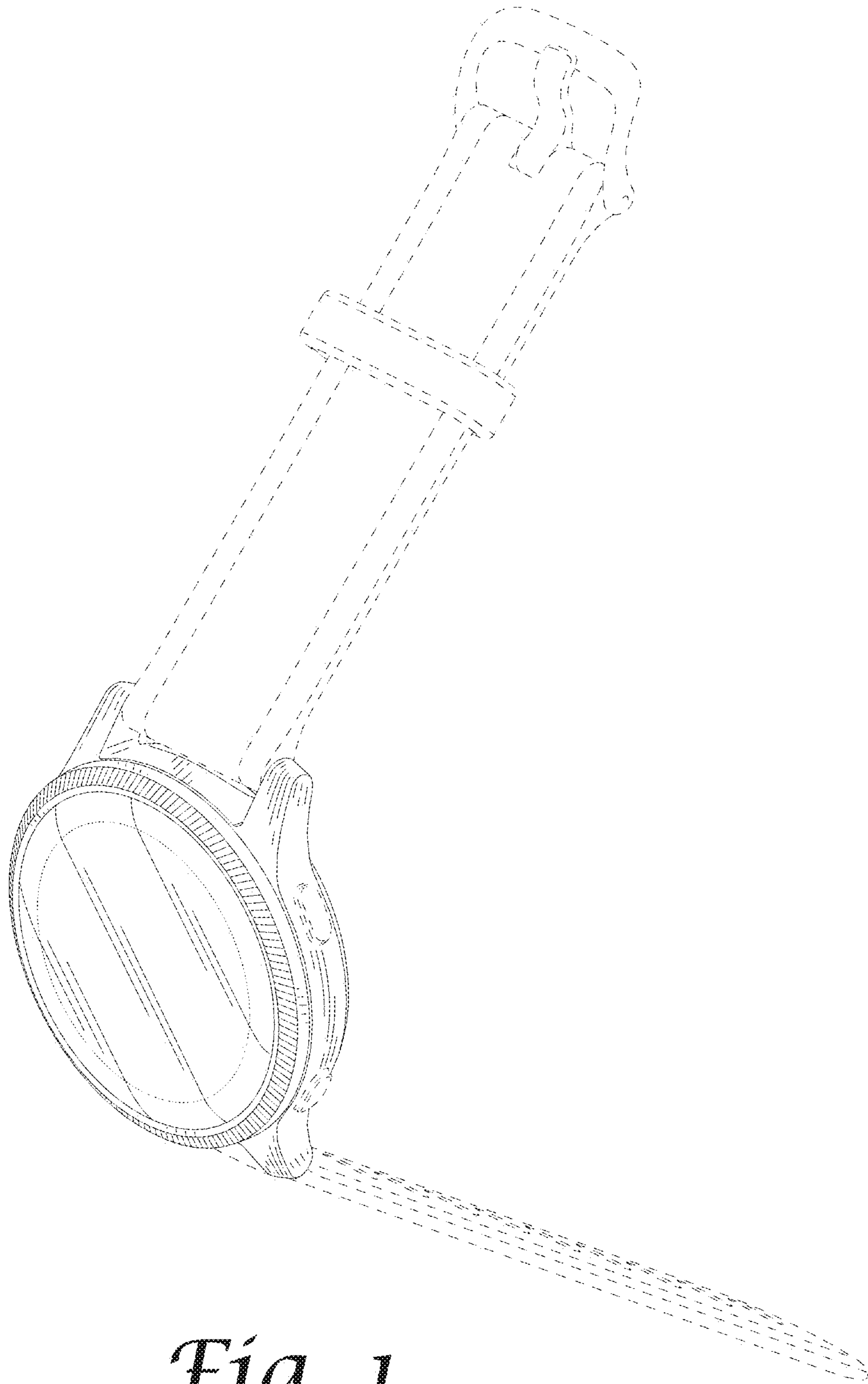


Fig. 1

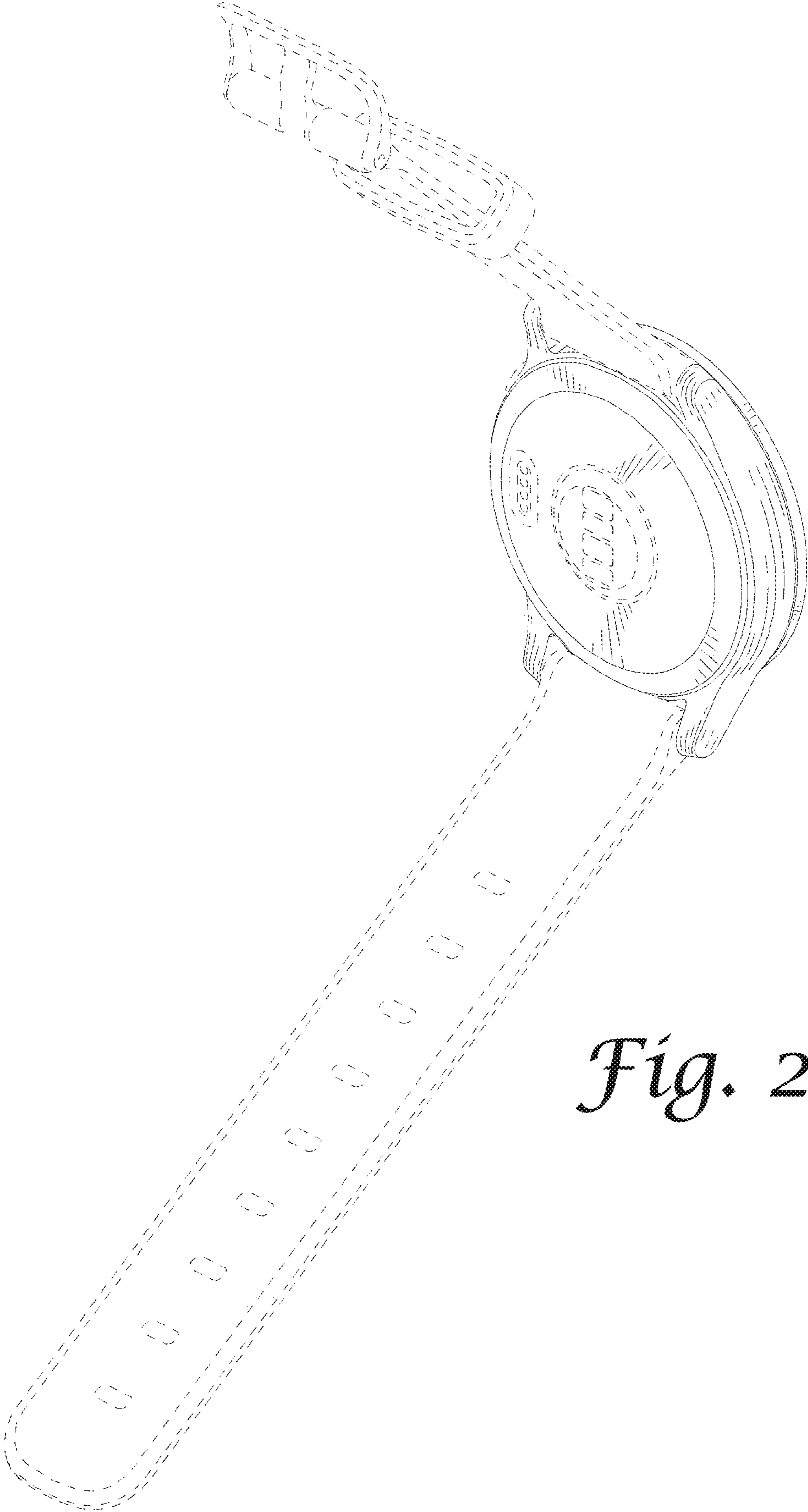


Fig. 2

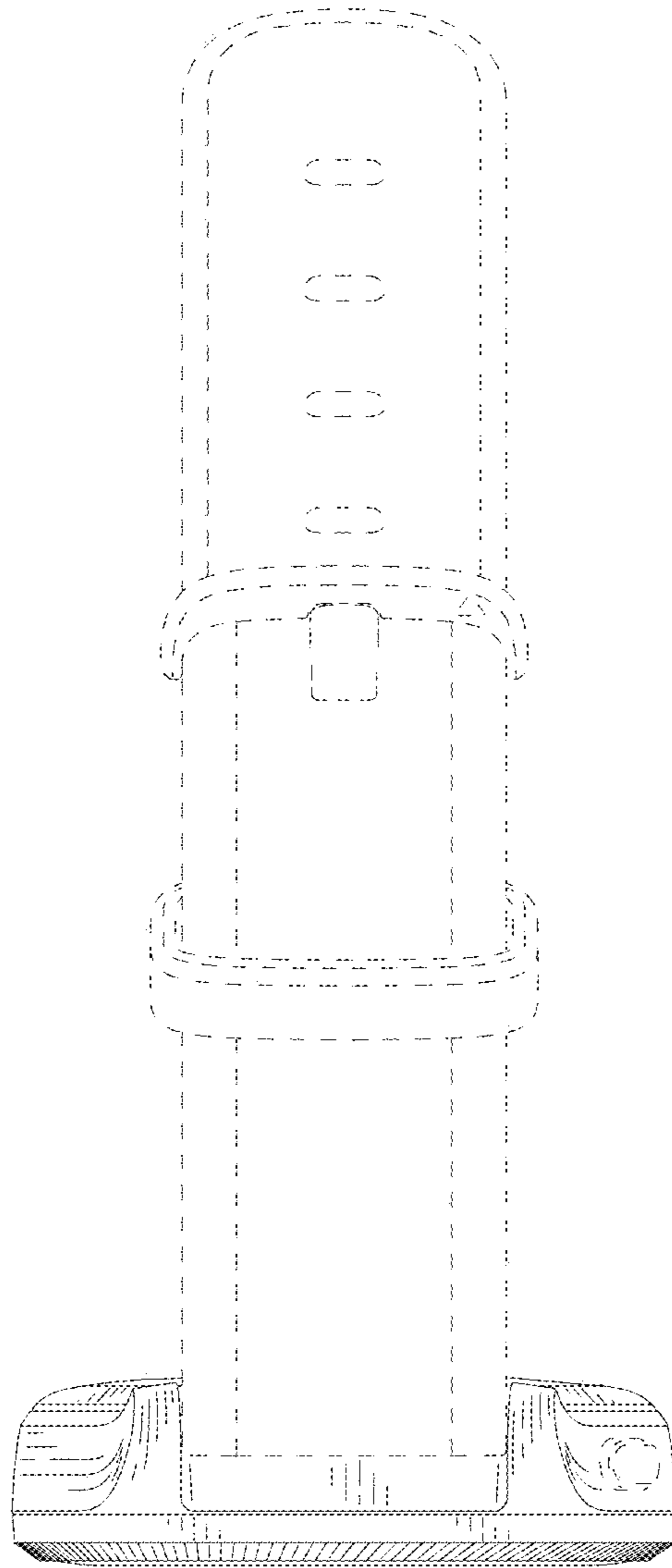


Fig. 3

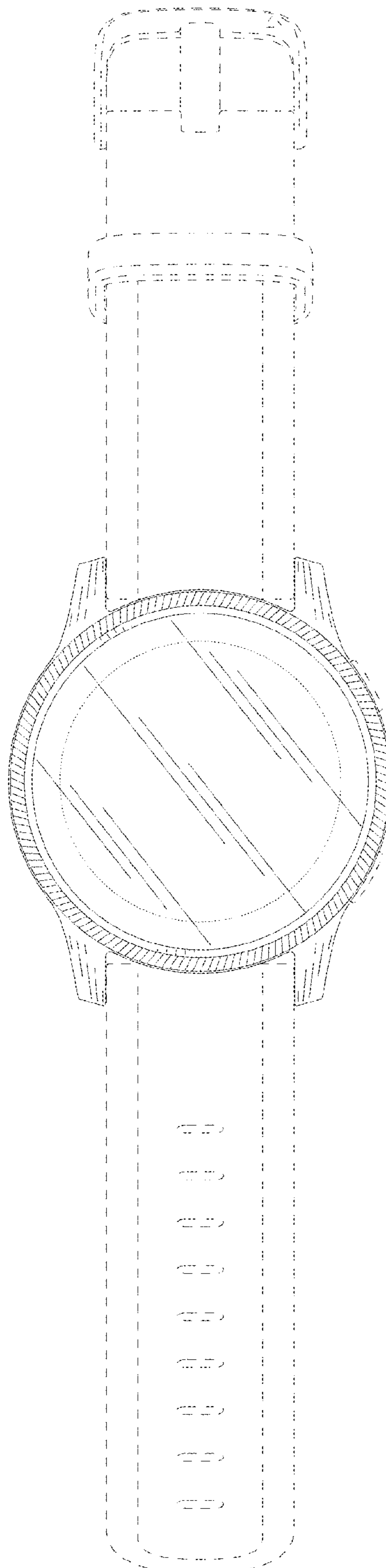
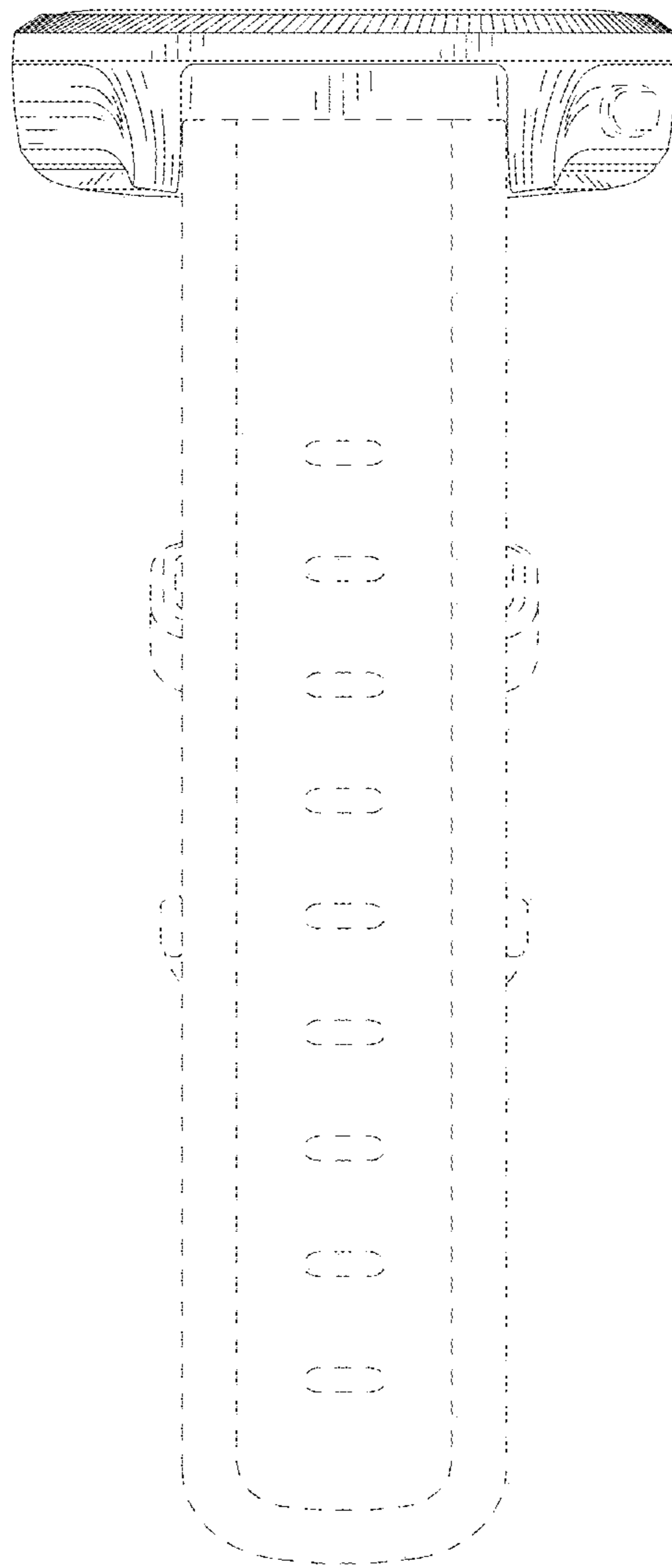


Fig. 4

Fig. 5



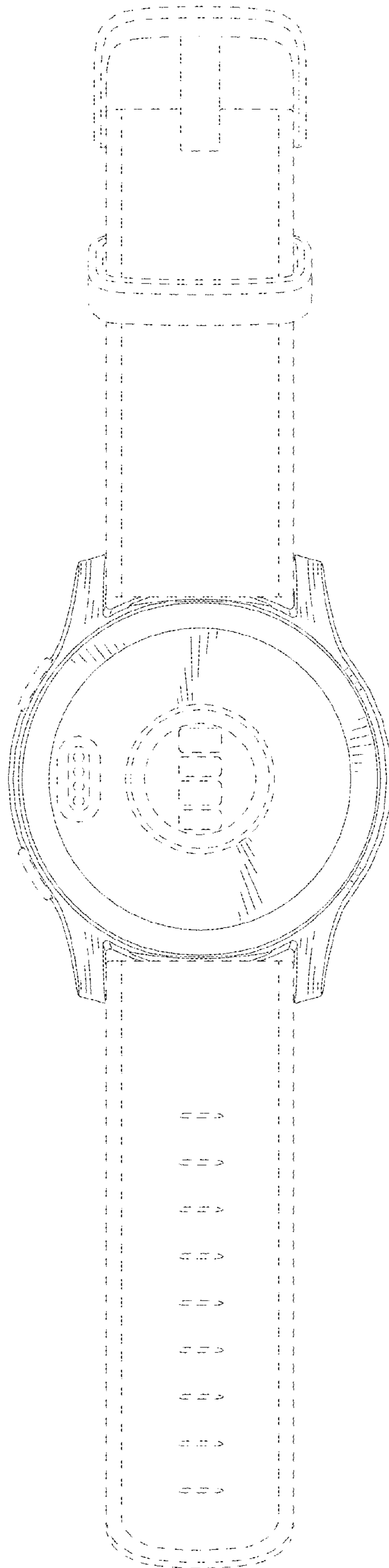


Fig. 6

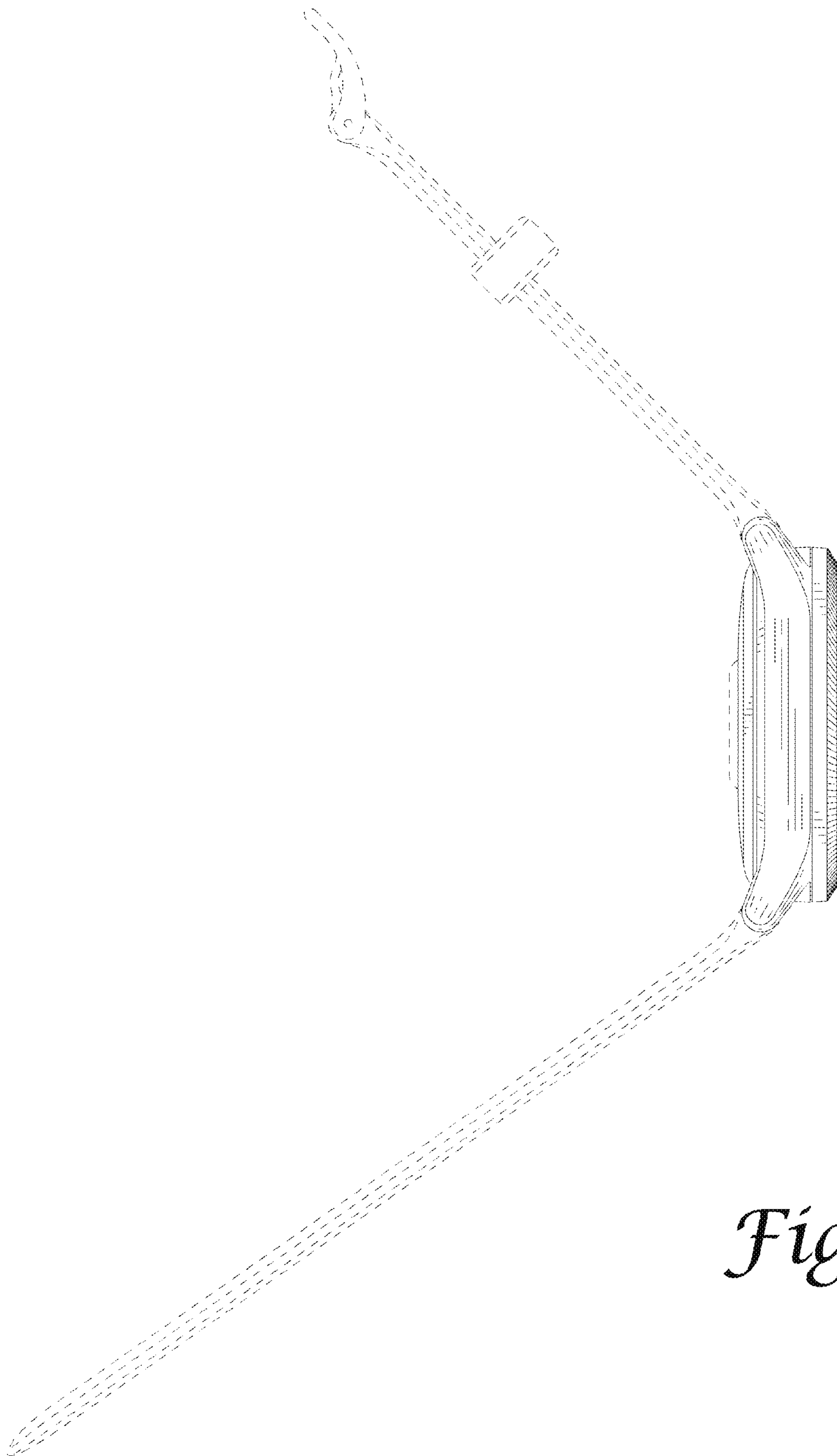


Fig. 7

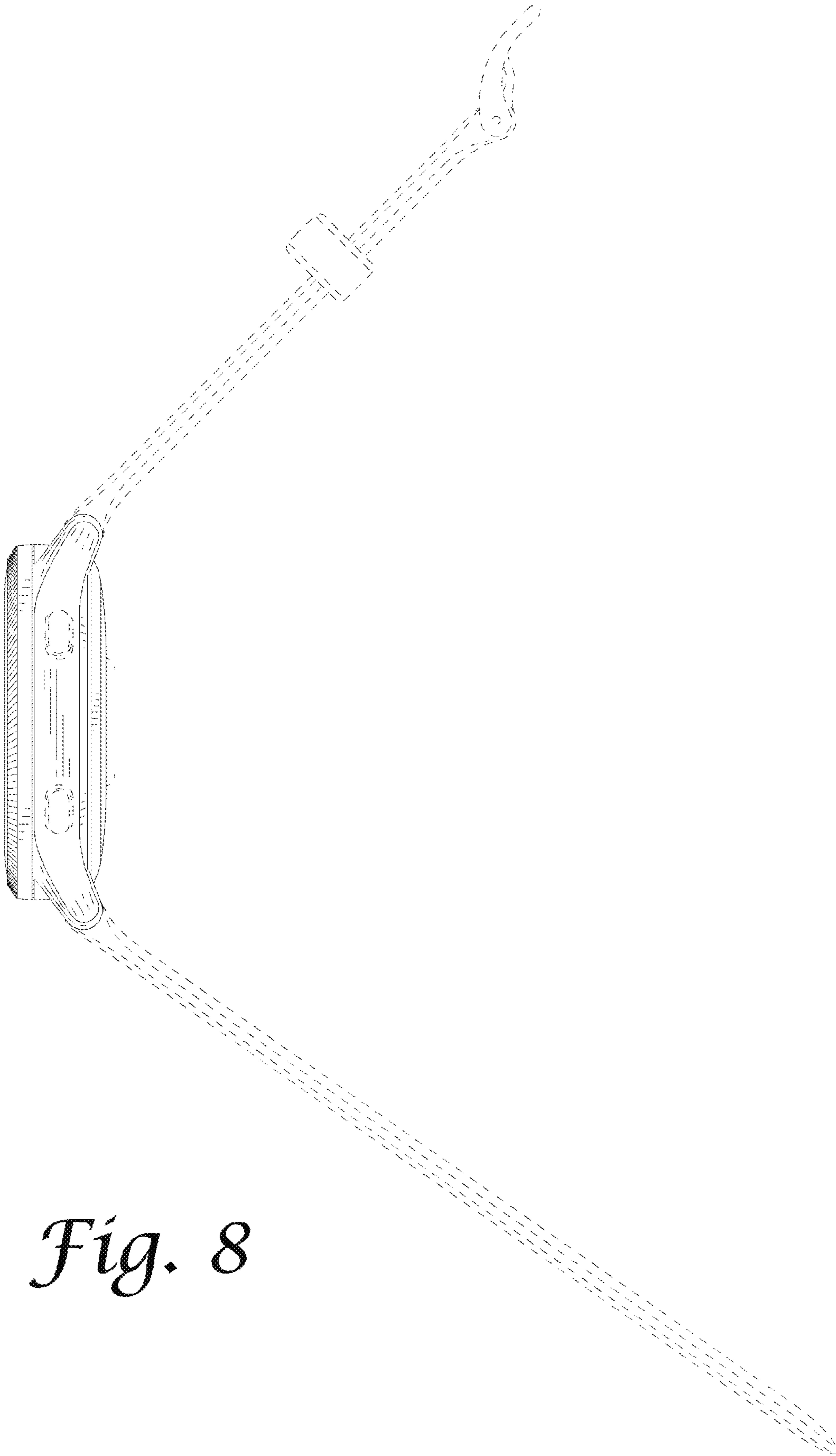


Fig. 8