



US00D913117S

(12) **United States Design Patent**
Tedeschi

(10) **Patent No.:** **US D913,117 S**
(45) **Date of Patent:** **** Mar. 16, 2021**

- (54) **WATCH CASE**
- (71) Applicant: **Marco Tedeschi**, Le Vaud (CH)
- (72) Inventor: **Marco Tedeschi**, Le Vaud (CH)
- (73) Assignee: **RJ WATCHES S.A.**

D594,349	S	*	6/2009	Arpa	D10/32
D594,350	S	*	6/2009	Arpa	D10/32
D597,859	S	*	8/2009	Arpa	D10/32
D658,079	S	*	4/2012	Emch	D10/38
D705,088	S	*	5/2014	Emch	D10/39
D706,650	S	*	6/2014	Emch	D10/39
10,025,273	B2	*	7/2018	Iguchi	G04B 37/084
10,509,366	B2	*	12/2019	Godoy	G02B 25/002

(**) Term: **15 Years**

(21) Appl. No.: **29/660,368**

(22) Filed: **Aug. 21, 2018**

(30) **Foreign Application Priority Data**

Feb. 23, 2018 (WO) 6505401

(51) **LOC (13) Cl.** **10-02**

(52) **U.S. Cl.**
USPC **D10/38**

(58) **Field of Classification Search**
USPC D10/30-39, 40-41, 65, 70, 97-98, 122,
D10/128; D14/344; D24/167, 186
CPC G04B 19/04; G04B 19/006; G04B 19/10;
G04B 19/103; G04B 37/008; G04B
37/00-58; G04B 45/00; G04B 45/0069;
G04B 45/0076; G04G 17/00; G04G
17/02; G04G 17/08; G04G 21/00; G04G
21/02; G04G 21/08

See application file for complete search history.

(56) **References Cited**

U.S. PATENT DOCUMENTS

5,943,302	A	*	8/1999	Fanshaw	G04B 37/1486 368/276
7,079,454	B2	*	7/2006	Wellen	G04B 25/02 368/223
D533,090	S	*	12/2006	Bajulaz	D10/39
D538,681	S	*	3/2007	Quintavalle	D10/38
D583,259	S	*	12/2008	Arpa	D10/39
D592,080	S	*	5/2009	Mijatovic	D10/39

OTHER PUBLICATIONS

RJ Introduces ARRAW | posted at luxois.com May 10, 2018 [online]. © 2006-2015 Luxois.com. [retrieved Jul. 5, 2020] from Internet: <<https://www.luxois.com/news/rj-introduces-arraw-its-first-signature-collection/2539>> (Year: 2018).*

The New RJ Arraw Chronogrpah 45mm | posted at monochrome-watches.com Apr. 2018 [online]. © 2006-2020 Monochrome [retrieved Jul. 5, 2020] from Internet: <<https://monochrome-watches.com/rj-romain-jerome-arraw-chronograph-baselworld-2018-hands-on-price/>> (Year: 2018).*

* cited by examiner

Primary Examiner — Katherine Glennon
(74) *Attorney, Agent, or Firm* — Galbreath Law Offices, P.C.; John A. Galbreath

(57) **CLAIM**

The ornamental design for a watch case, as shown and described.

DESCRIPTION

FIG. 1 is a top plan view of a watch case showing my new design;

FIG. 2 is a bottom plan view thereof;

FIG. 3 is a rear elevational view thereof;

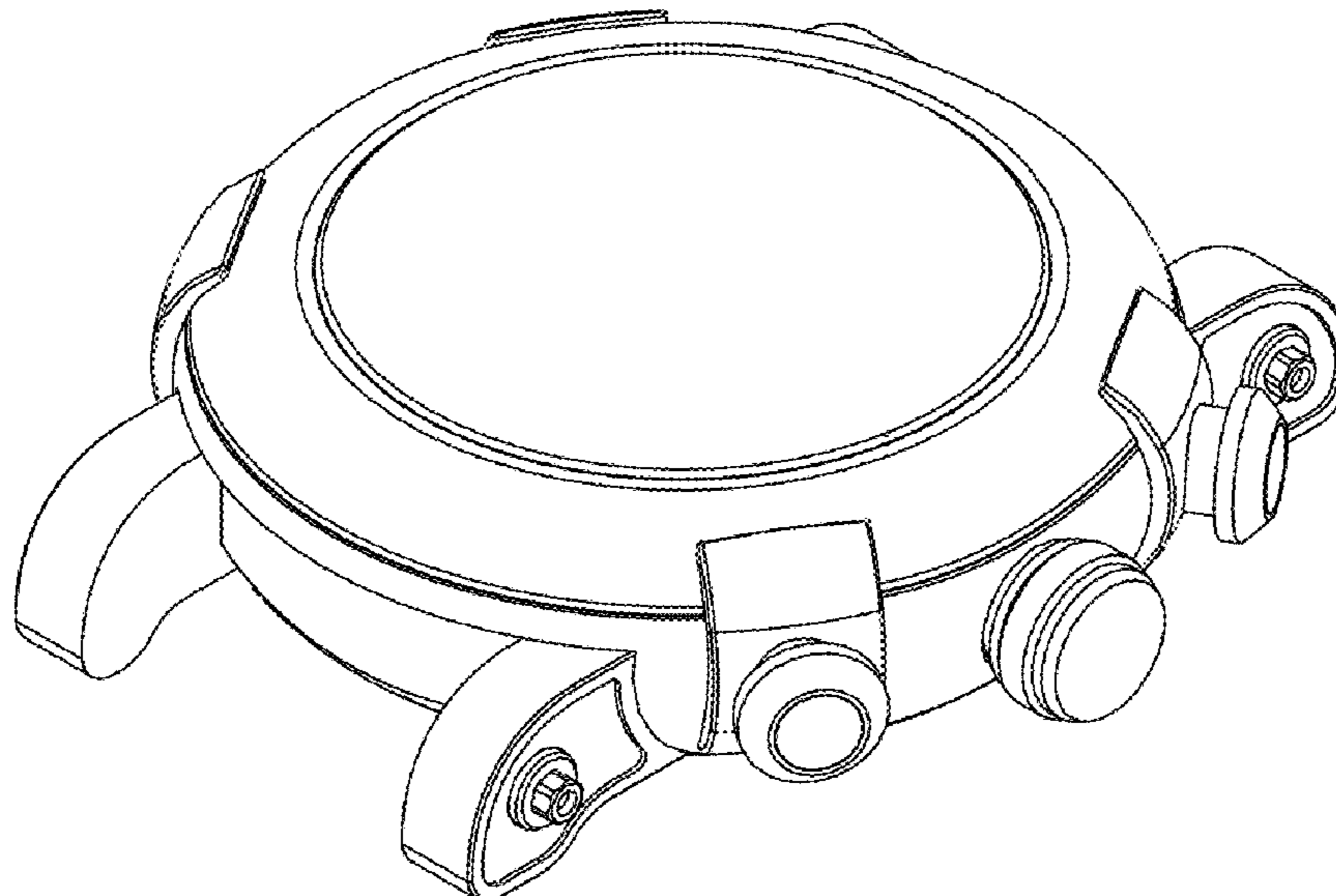
FIG. 4 is a front elevational view thereof;

FIG. 5 is a left side elevational view thereof;

FIG. 6 is a right side elevational view thereof; and,

FIG. 7 is a top right perspective view thereof.

1 Claim, 7 Drawing Sheets



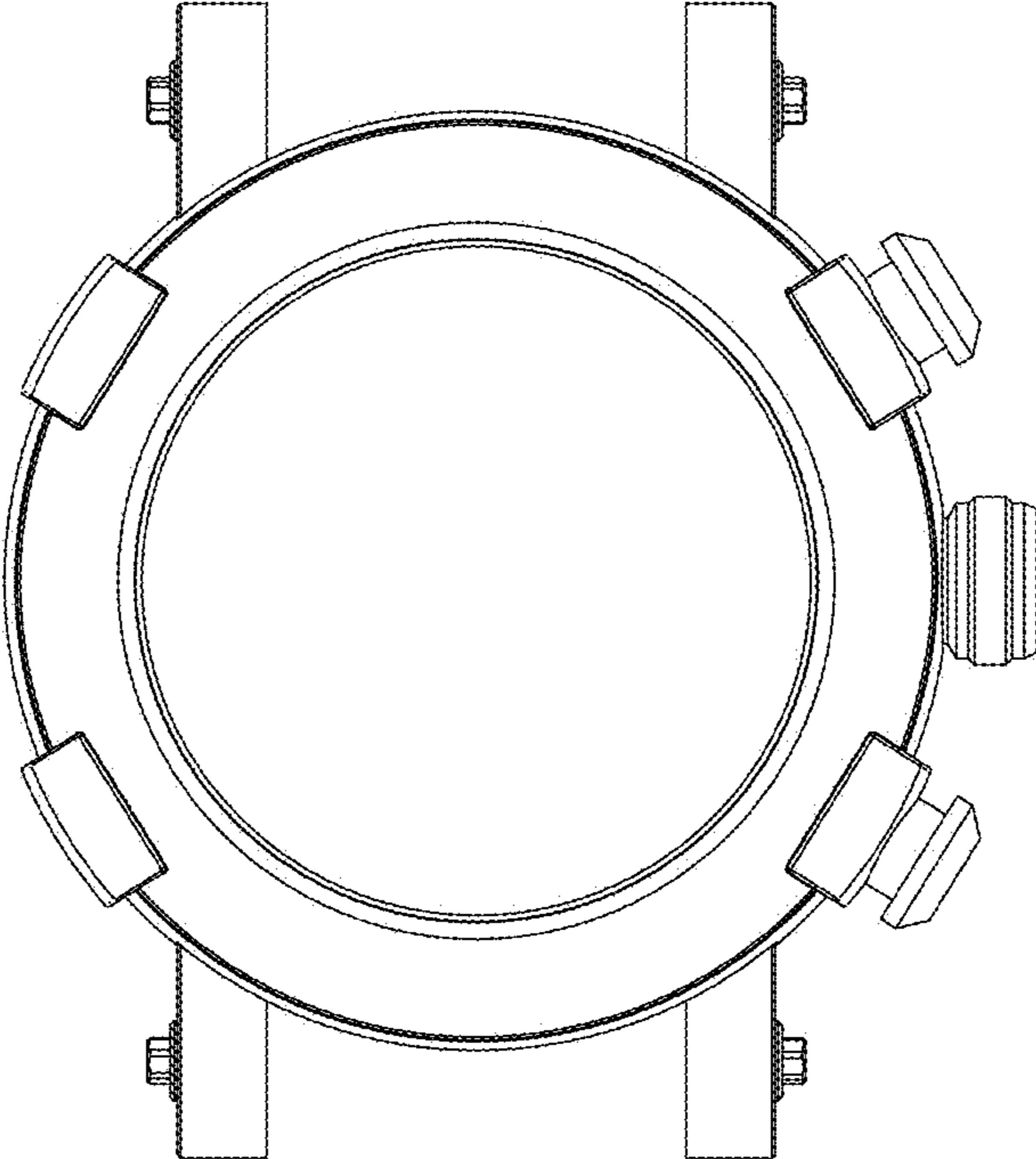


FIG.1

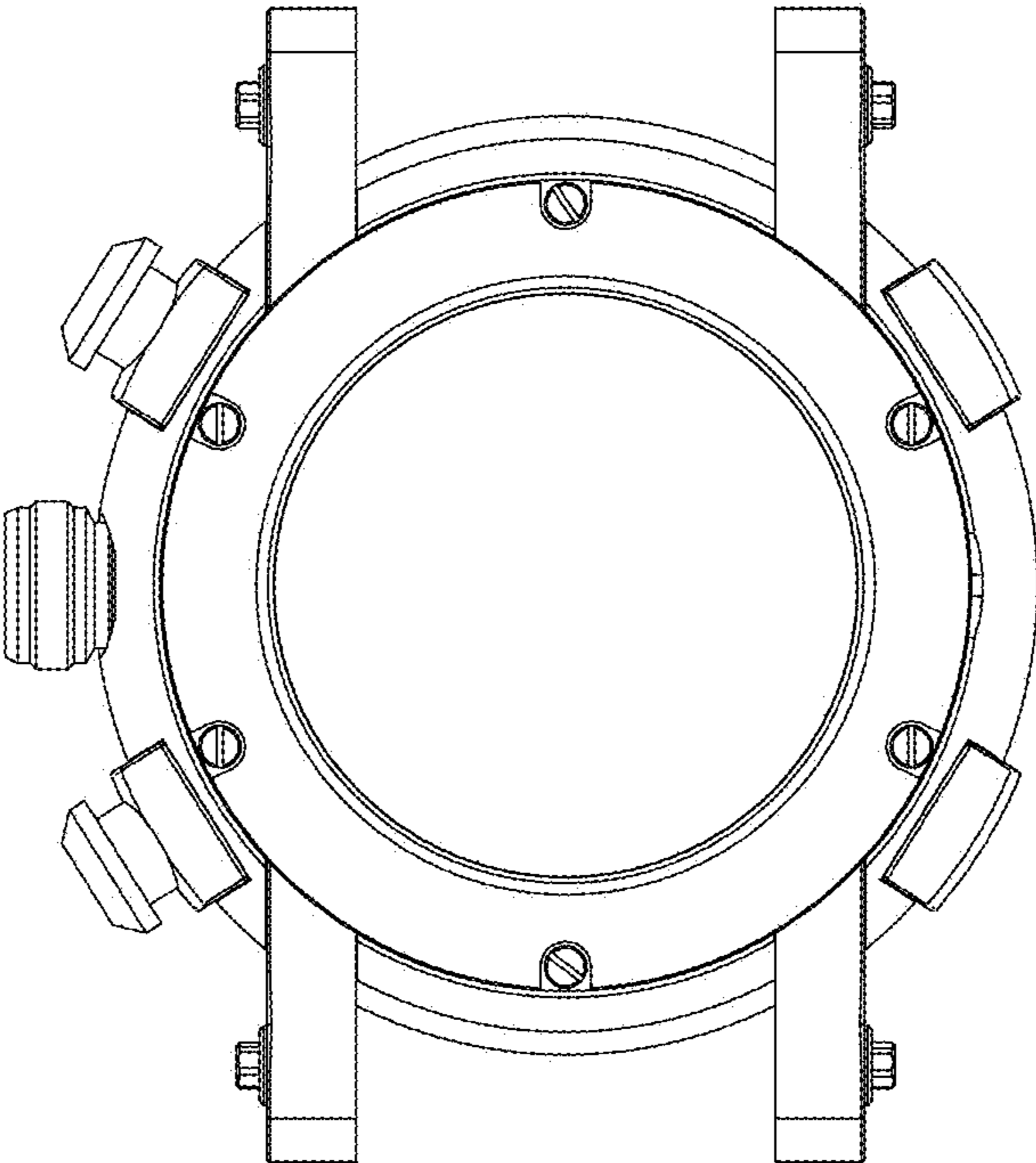


Fig. 2

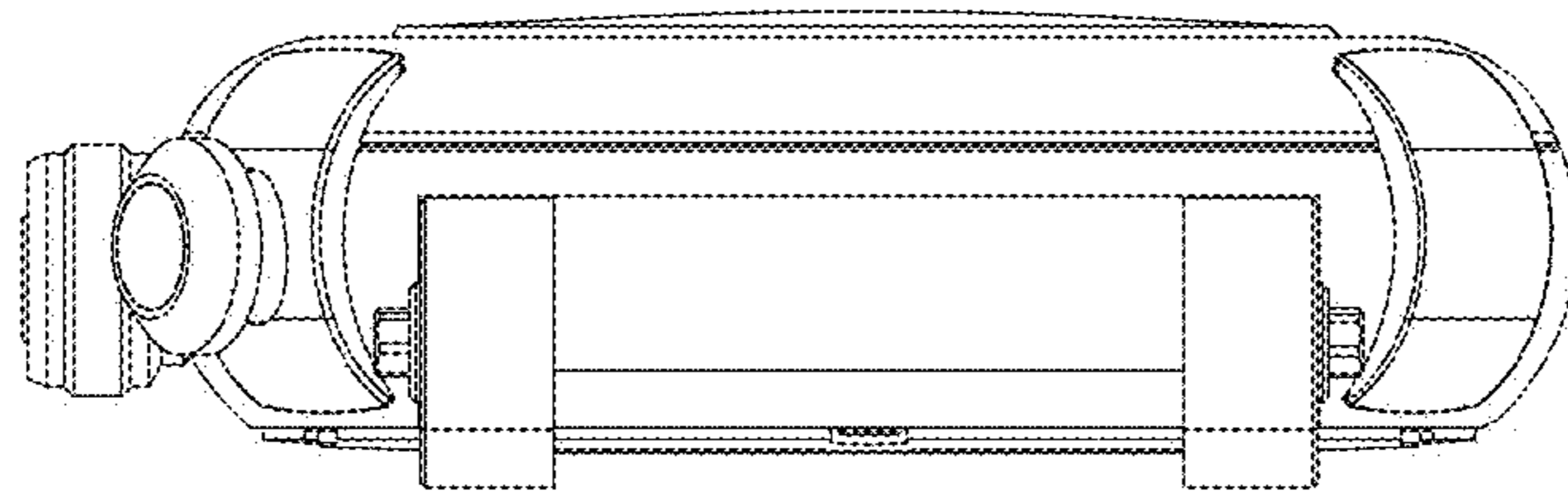


Fig. 3

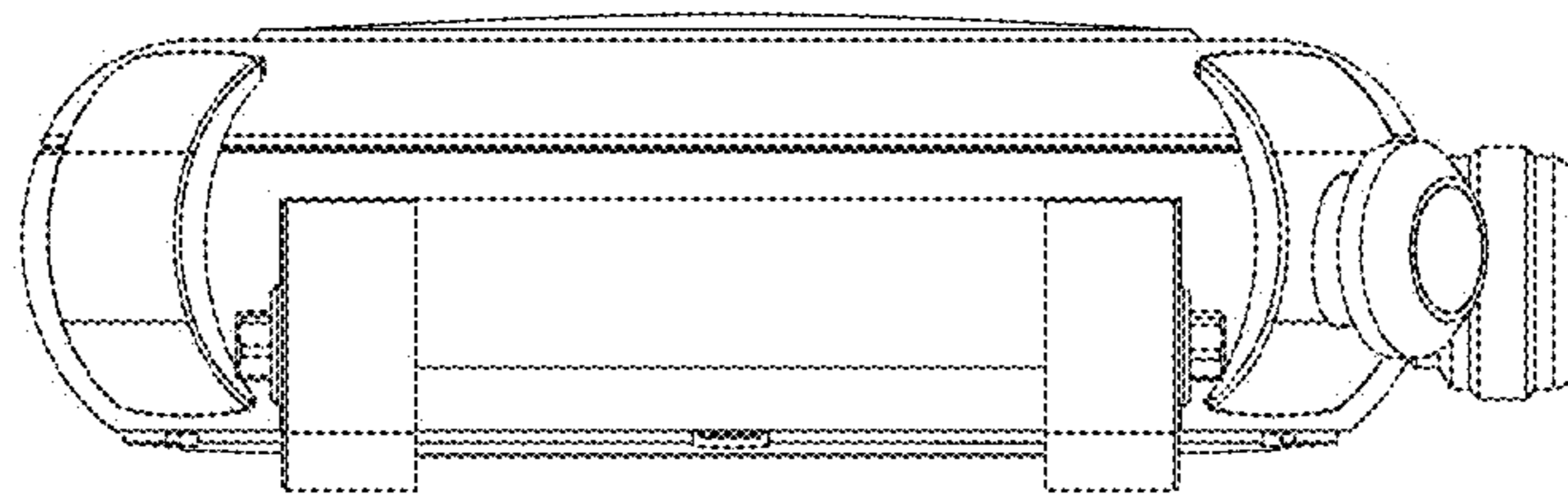


Fig. 4

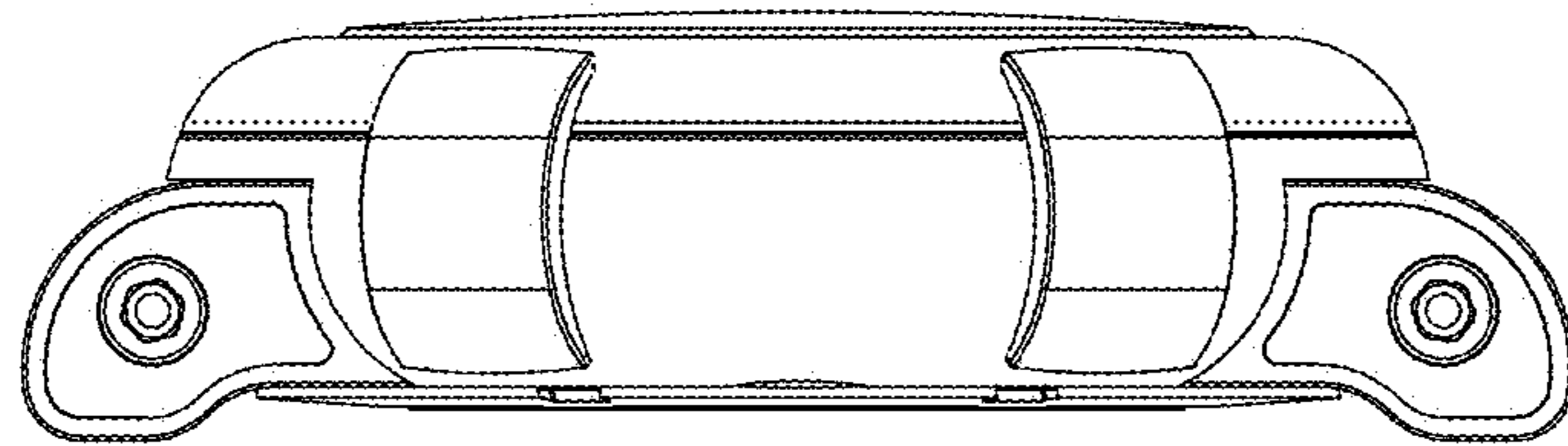


Fig. 5

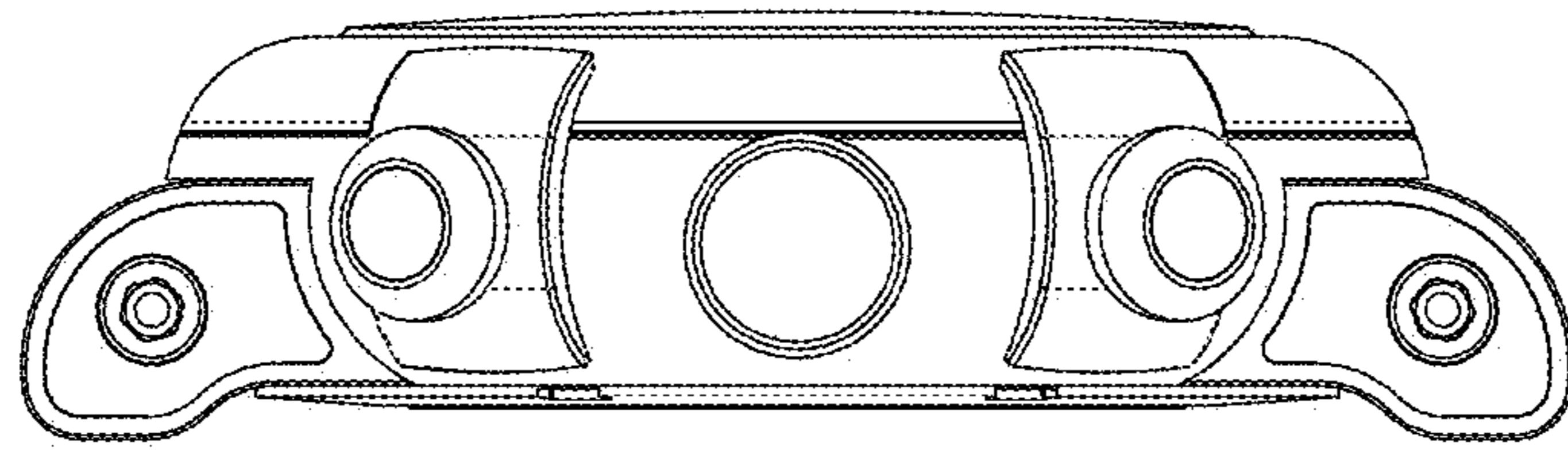


Fig. 6

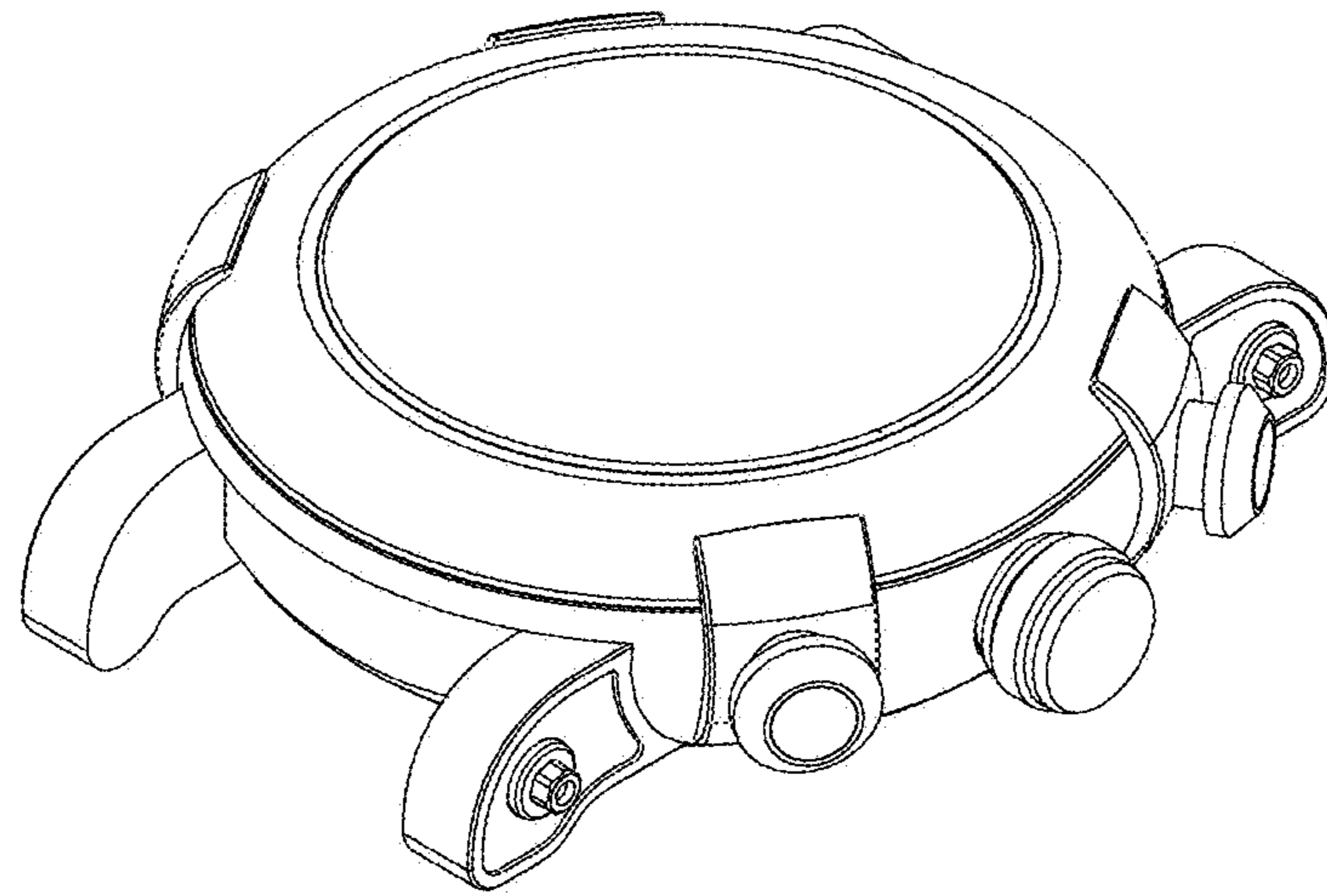


FIG. 7