

US00D913111S

(12) **United States Design Patent** (10) **Patent No.:** **US D913,111 S**  
**Diers** (45) **Date of Patent:** **\*\* Mar. 16, 2021**

- (54) **DISPENSER CARTRIDGE**
- (71) Applicant: **Timothy Robert Diers**, Naples, FL (US)
- (72) Inventor: **Timothy Robert Diers**, Naples, FL (US)
- (73) Assignee: **ABACOCAY, LLC**, Naples, FL (US)
- (\*\*) Term: **15 Years**
- (21) Appl. No.: **29/713,210**
- (22) Filed: **Nov. 14, 2019**

- 5,408,919 A 4/1995 Hutzler et al.
  - 5,595,327 A 1/1997 Dentler et al.
  - 5,628,433 A \* 5/1997 Binder ..... B05C 17/00579  
222/327
  - 5,692,642 A 12/1997 Brattesani
  - 5,749,499 A \* 5/1998 Binder ..... B05C 17/00579  
222/327
  - 6,364,163 B1 \* 4/2002 Mueller ..... B05B 11/048  
222/105
  - D458,677 S \* 6/2002 Farris ..... D24/112
  - D469,869 S \* 2/2003 Farris ..... D24/112
  - D471,797 S \* 3/2003 Guerrero ..... D9/724
  - 6,554,161 B2 4/2003 Main
  - D487,149 S \* 2/2004 Farris ..... D24/112
- (Continued)

**Related U.S. Application Data**

- (62) Division of application No. 29/638,320, filed on Feb. 26, 2018, now Pat. No. Des. 871,176.
- (51) **LOC (13) Cl.** ..... **09-01**
- (52) **U.S. Cl.**  
USPC ..... **D9/724**; D14/14.1
- (58) **Field of Classification Search**  
USPC ..... D9/723, 724; D24/112, 113; D8/14.1  
CPC ..... B05C 17/01; B05C 17/0059  
See application file for complete search history.

**References Cited**

**U.S. PATENT DOCUMENTS**

- 3,188,057 A 6/1965 Trumbull
- 4,081,112 A 3/1978 Chang
- 4,264,021 A 4/1981 Davis
- 4,371,094 A \* 2/1983 Hutter, III ..... B01F 13/002  
222/1
- 4,406,107 A 9/1983 Schoonbeck
- 4,432,473 A 2/1984 MacEwen
- D273,764 S \* 5/1984 Steigerwald ..... D9/444
- 4,852,772 A \* 8/1989 Ennis, III ..... B05C 17/00576  
222/386
- 4,907,727 A 3/1990 Ernst et al.
- 5,097,987 A 3/1992 Liberatore

**OTHER PUBLICATIONS**

Amazon.com search results for “Red Devil 0658 Patch-A-Wall Spackling Paste” and related items (46 pages).

*Primary Examiner* — Philip S Hyder  
(74) *Attorney, Agent, or Firm* — John E Boyd;  
FisherBroyles, LLP

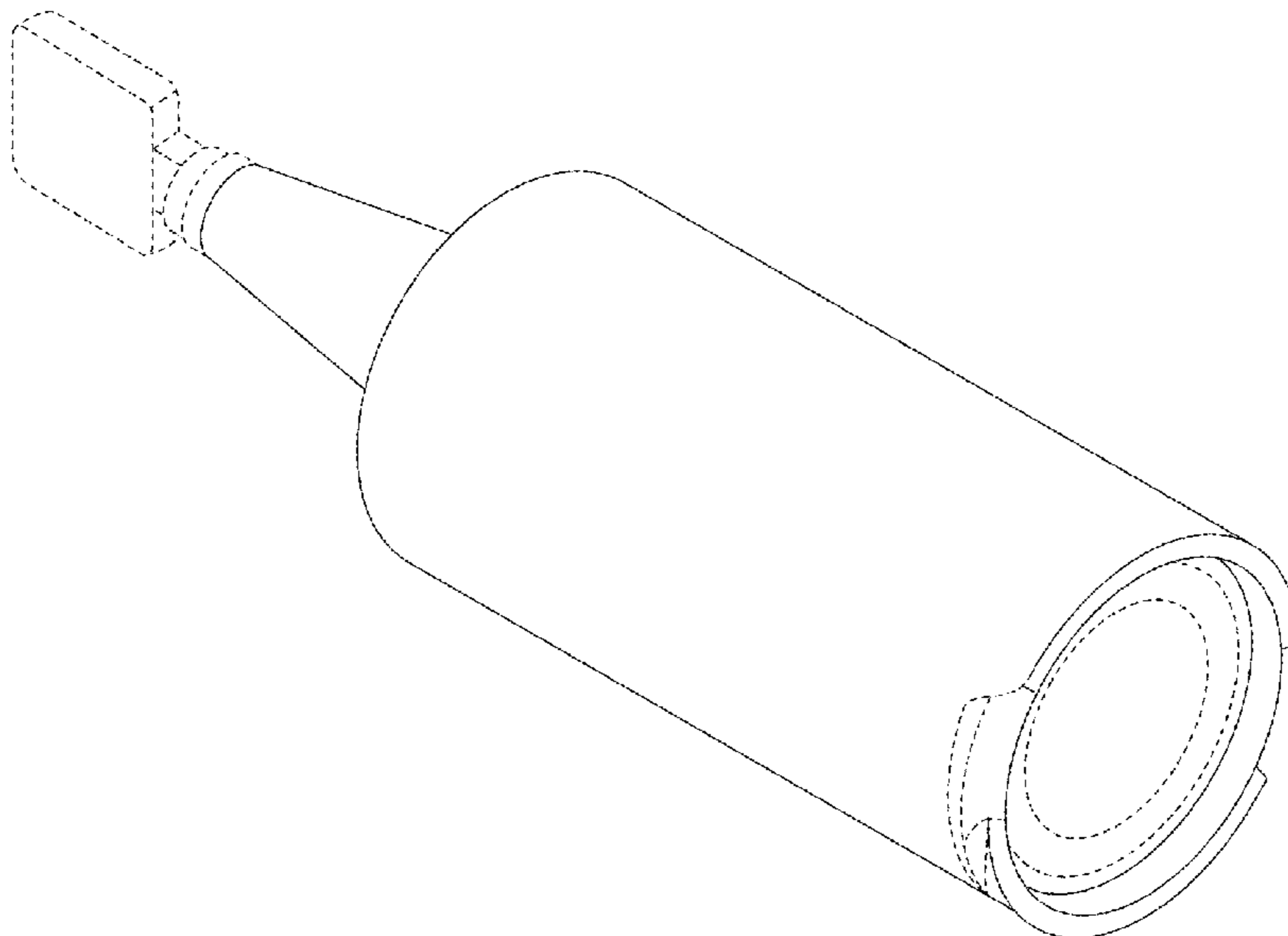
**CLAIM**

(57) The ornamental design for a dispenser cartridge, as shown and described.

**DESCRIPTION**

FIG. 1 is a rear perspective view of a dispenser cartridge, showing the new design;  
FIG. 2 is a left-side view thereof;  
FIG. 3 is a right-side view thereof;  
FIG. 4 is a front view thereof;  
FIG. 5 is a rear view thereof;  
FIG. 6 is a top view thereof; and,  
FIG. 7 is a bottom view thereof.  
The broken lines in the drawings depict environmental subject matter only and form no part of the claimed design.

**1 Claim, 4 Drawing Sheets**



(56)

**References Cited**

U.S. PATENT DOCUMENTS

6,971,787	B2 *	12/2005	Botrie .....	B01F 5/0613 222/145.6
7,121,054	B2	10/2006	Shock	
D588,693	S *	3/2009	Strong .....	D24/112
D601,908	S *	10/2009	Yun .....	D9/724
D607,345	S *	1/2010	Bleimeyer .....	D9/724
D675,540	S *	2/2013	Montminy .....	D9/724
8,650,829	B2	2/2014	Clarke et al.	
8,776,470	B2	7/2014	Karam et al.	
8,991,128	B2	3/2015	James	
D726,553	S *	4/2015	Koptis .....	D9/724
D729,625	S *	5/2015	Wheeler .....	D9/500
D835,782	S *	12/2018	Matsumoto .....	D24/130
2002/0020718	A1 *	2/2002	Summons .....	B05C 17/00596 222/327
2005/0023301	A1	2/2005	Rumrill et al.	
2006/0091157	A1	5/2006	Nomula	
2007/0119865	A1 *	5/2007	Belanger .....	B05C 17/01 222/146.5
2009/0302055	A1 *	12/2009	Cadden .....	B05C 17/01 222/1
2012/0104044	A1 *	5/2012	Pappalardo .....	B01F 15/0224 222/137
2014/0260046	A1	9/2014	Baynham	
2016/0074282	A1	3/2016	Wong et al.	
2016/0243581	A1	8/2016	Clemens	

\* cited by examiner

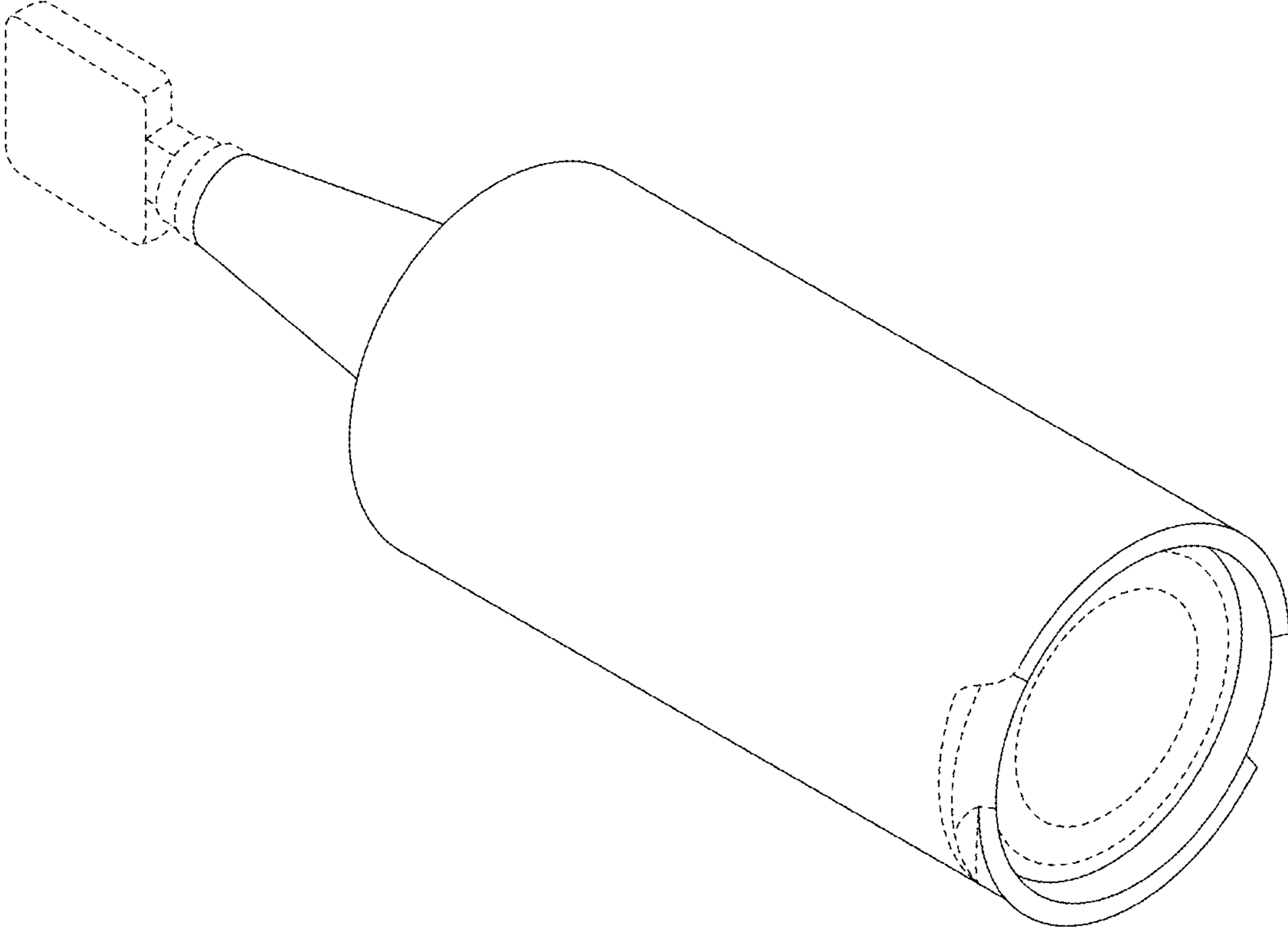


FIG. 1

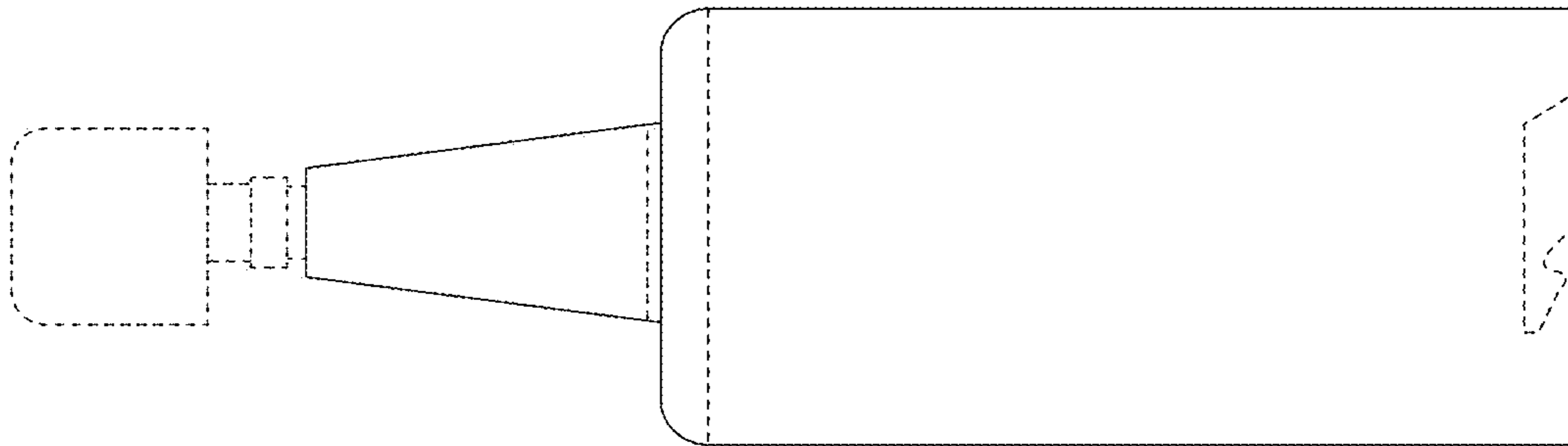


FIG. 2

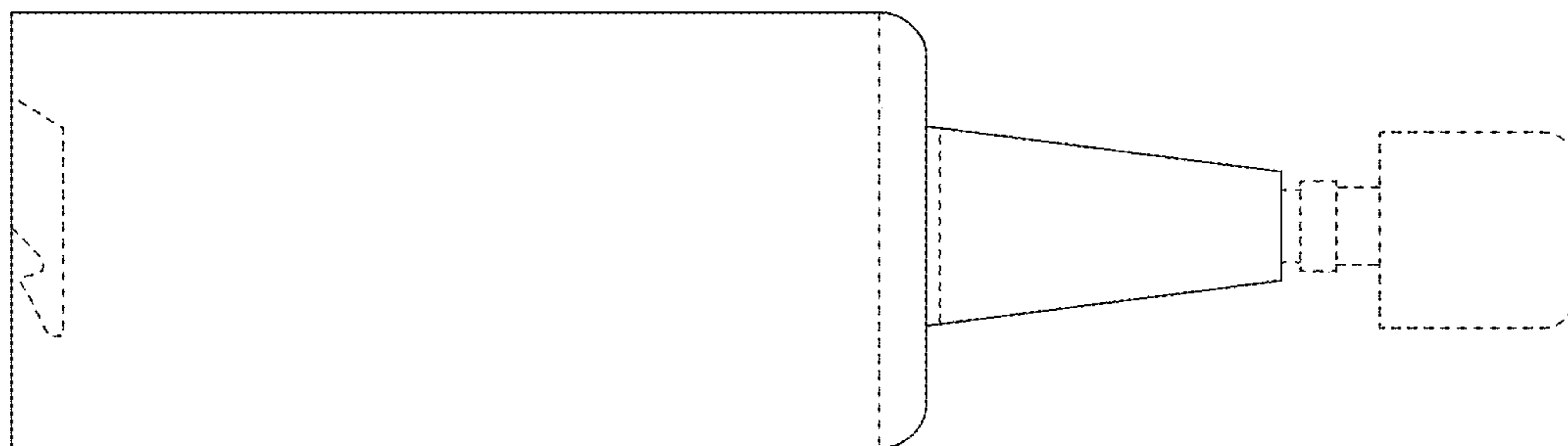


FIG. 3

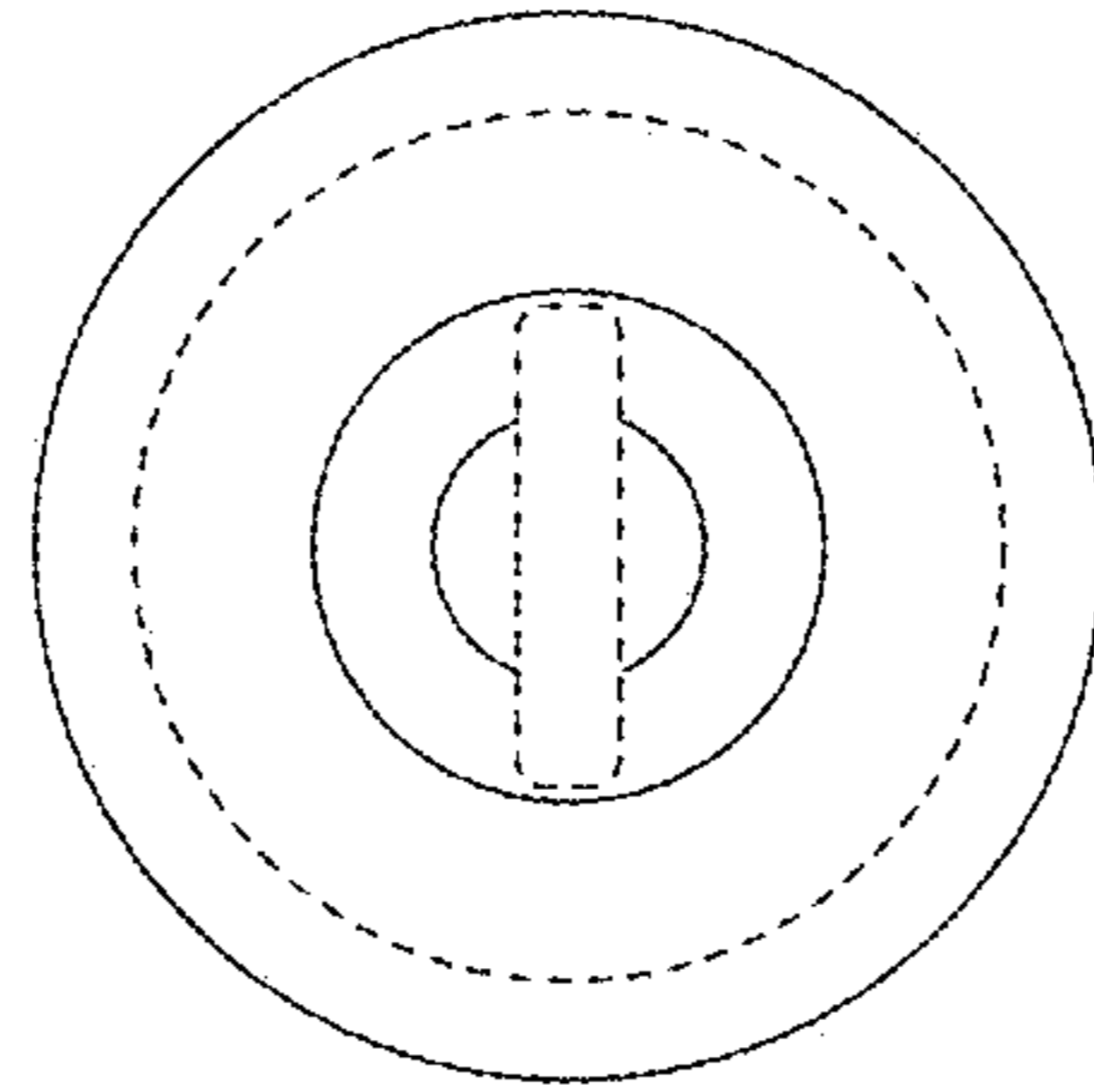


FIG. 4

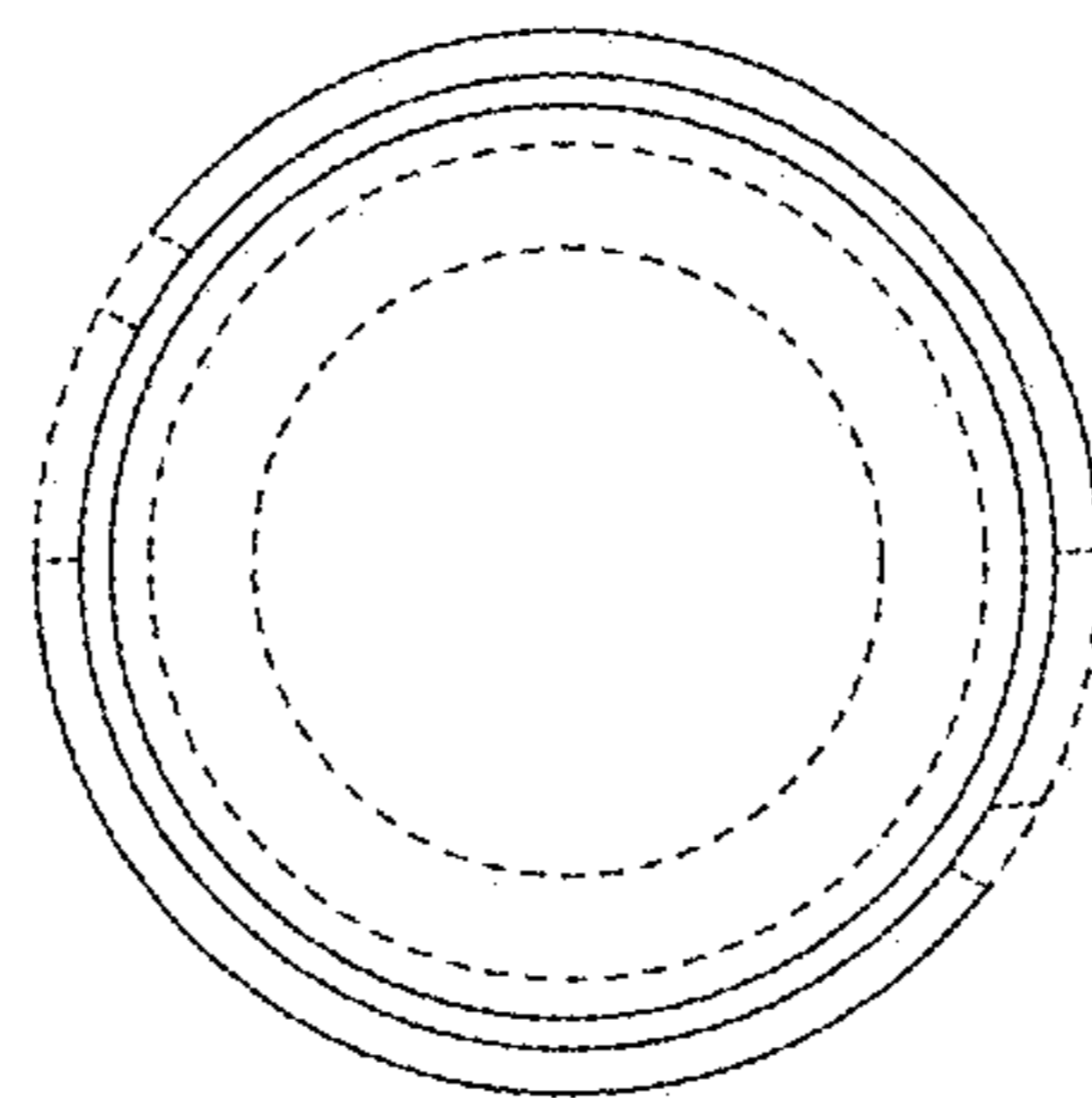


FIG. 5

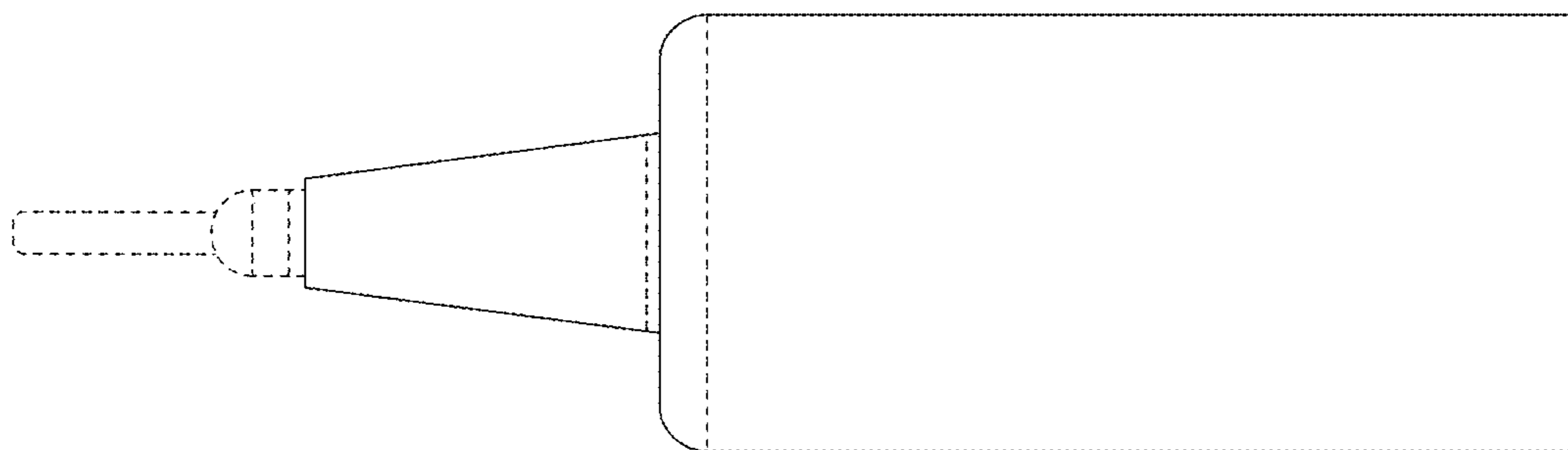


FIG. 6

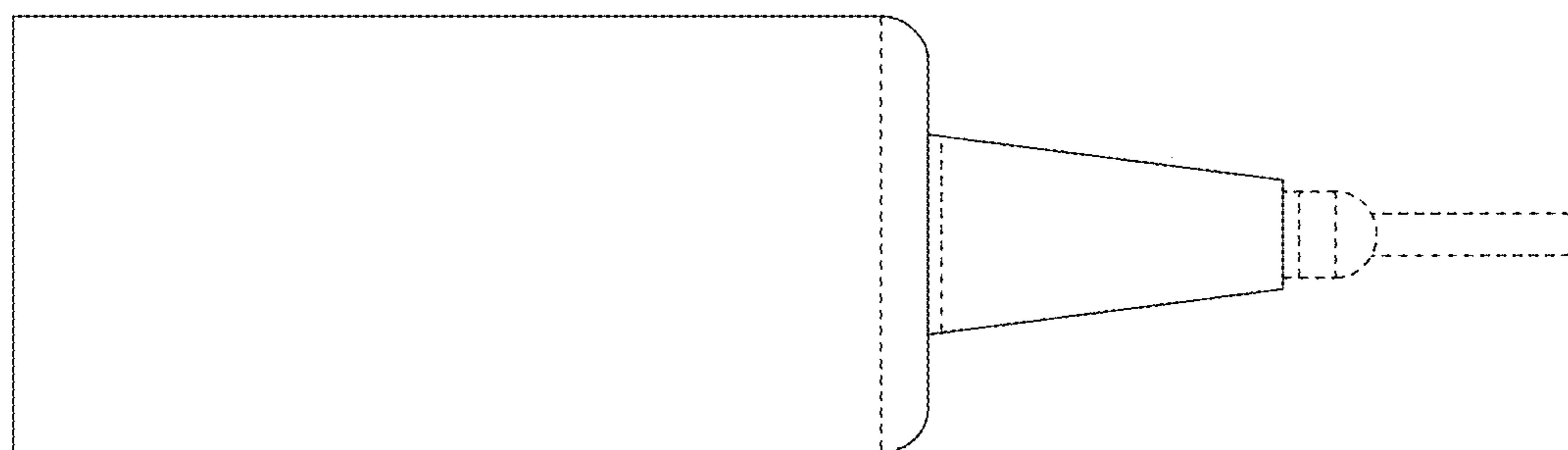


FIG. 7