



US00D913108S

(12) **United States Design Patent** (10) **Patent No.:** **US D913,108 S**  
**Han** (45) **Date of Patent:** **\*\* Mar. 16, 2021**

(54) **POUCH WITH SLIDER CLOSURE**

(56) **References Cited**

(71) Applicant: **FJ Packaging Inc.**, City of Industry, CA (US)

U.S. PATENT DOCUMENTS

(72) Inventor: **Jue Min Han**, Chino, CA (US)

D715,158 S	*	10/2014	Chen	.....	D9/707
D720,237 S	*	12/2014	Maglio, Jr.	.....	D9/704
D747,219 S	*	1/2016	Yu	.....	D9/709
D764,940 S	*	8/2016	Garcia	.....	D9/703
D779,972 S	*	2/2017	Yu	.....	D9/709

(\*\*) Term: **15 Years**

\* cited by examiner

(21) Appl. No.: **29/697,256**

*Primary Examiner* — Abraham Bahta

(22) Filed: **Jul. 5, 2019**

(51) **LOC (13) Cl.** ..... **09-05**

(57) **CLAIM**

(52) **U.S. Cl.**

The ornamental design for a pouch with slider closure, as shown and described.

USPC ..... **D9/707**

(58) **Field of Classification Search**

**DESCRIPTION**

USPC ..... D9/702-714, 414-415, 418-419, D9/430-431, 434, 424, 631, 737, 560; 206/236, 242, 286-287, 260, 271, 273; 211/85.3; 229/103.2, 87.01, 116.1, 87.05, 229/87.19, 117.12, 100; 150/100, 107, 150/112, 118; D27/186-191, 183; D3/273, 299-301, 232, 276, 295, 303, D3/226, 240, 315, 203.1; 383/105-114, 383/121.1, 33, 200, 61.1, 42, 119-120; 426/106; 222/92, 107, 215

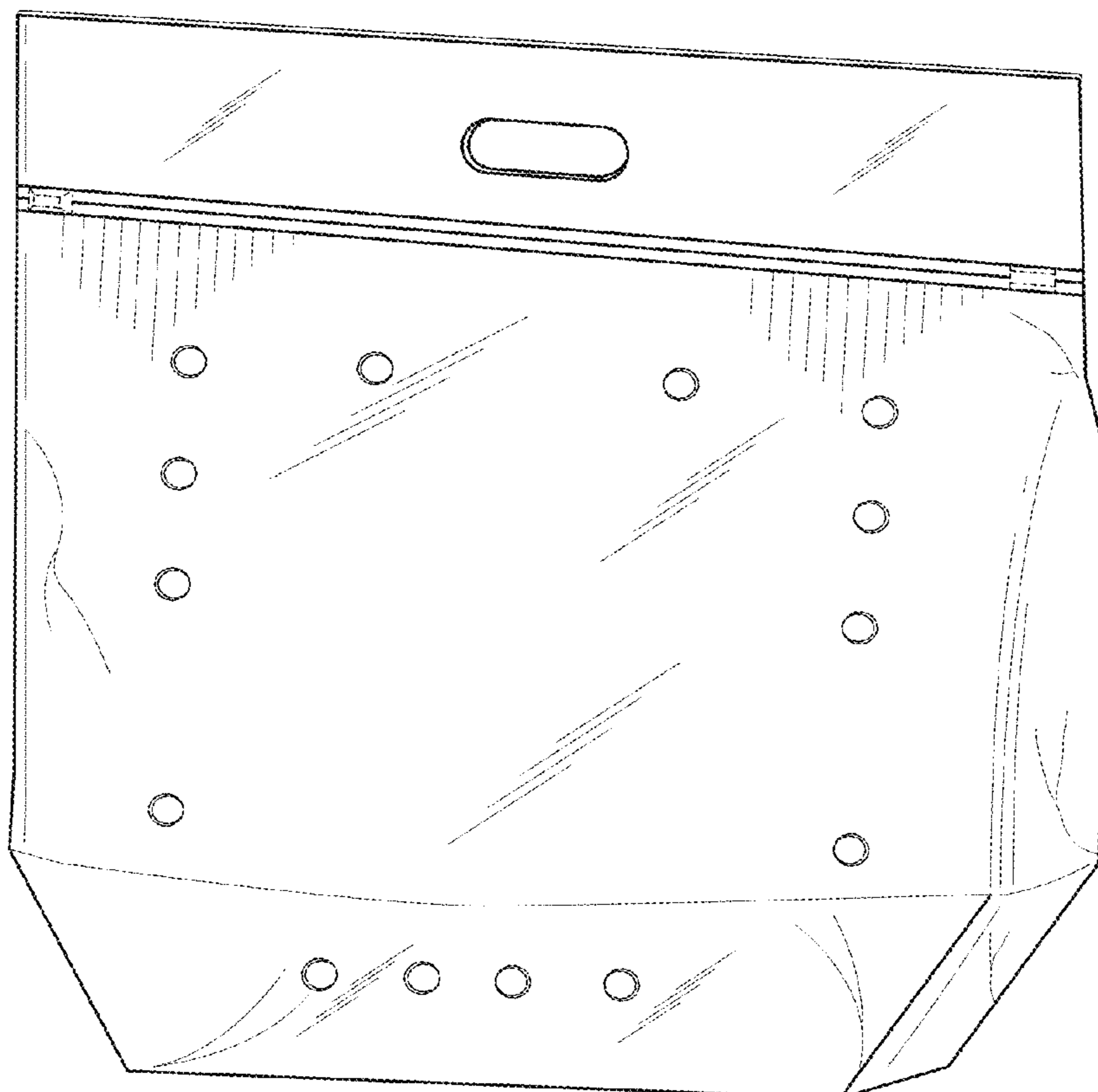
CPC ..... A45C 1/02; B65D 81/00; B65D 65/38; B65D 65/02; B65D 65/00; B65D 33/00; B65D 33/01; B65D 33/04; B65D 33/06; B65D 33/12; B65D 33/16; B65D 33/10; B65D 33/2591

FIG. 1 is a perspective view of the pouch with slider closure showing my new design;  
 FIG. 2 is a front view thereof;  
 FIG. 3 is a back view thereof;  
 FIG. 4 is a bottom view thereof;  
 FIG. 5 is a top view thereof; and,  
 FIG. 6 is a left side view thereof, the right side view being a mirror image thereof.

The broken line showing of portions of the pouch with slider closure is included for the purpose of illustrating environmental structure and forms no part of the claimed design.

See application file for complete search history.

**1 Claim, 4 Drawing Sheets**



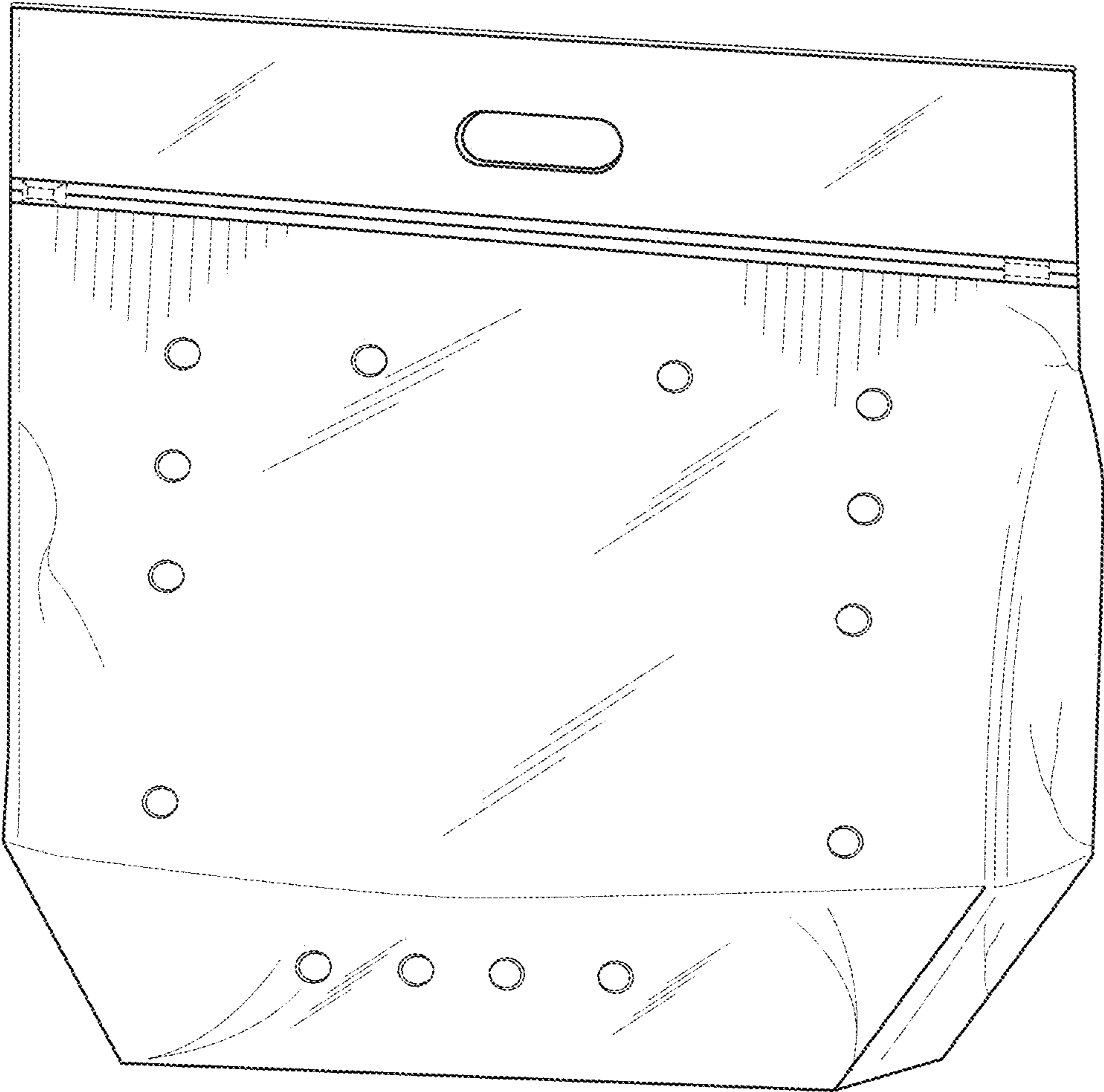


FIG. 1

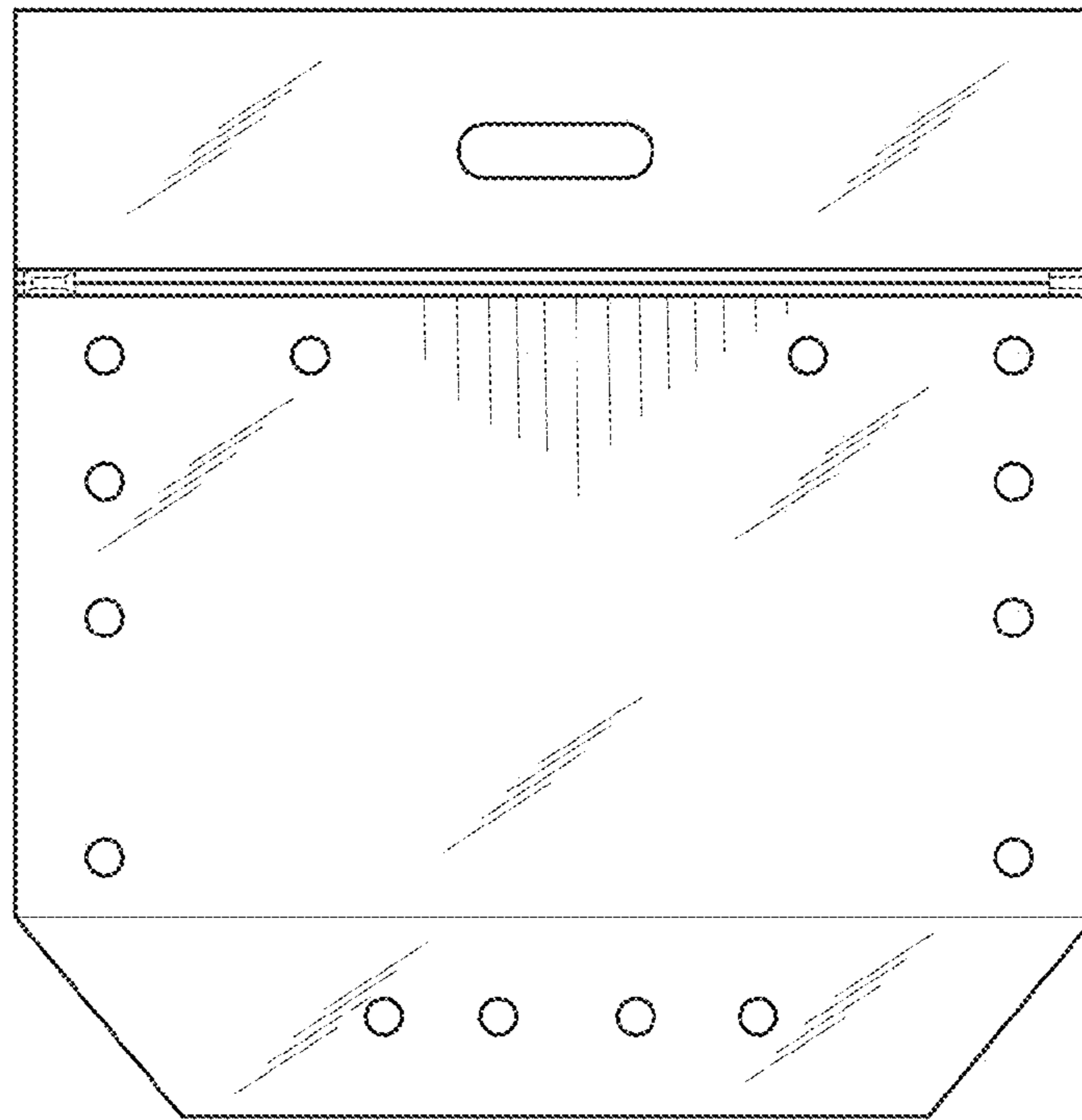


FIG. 2

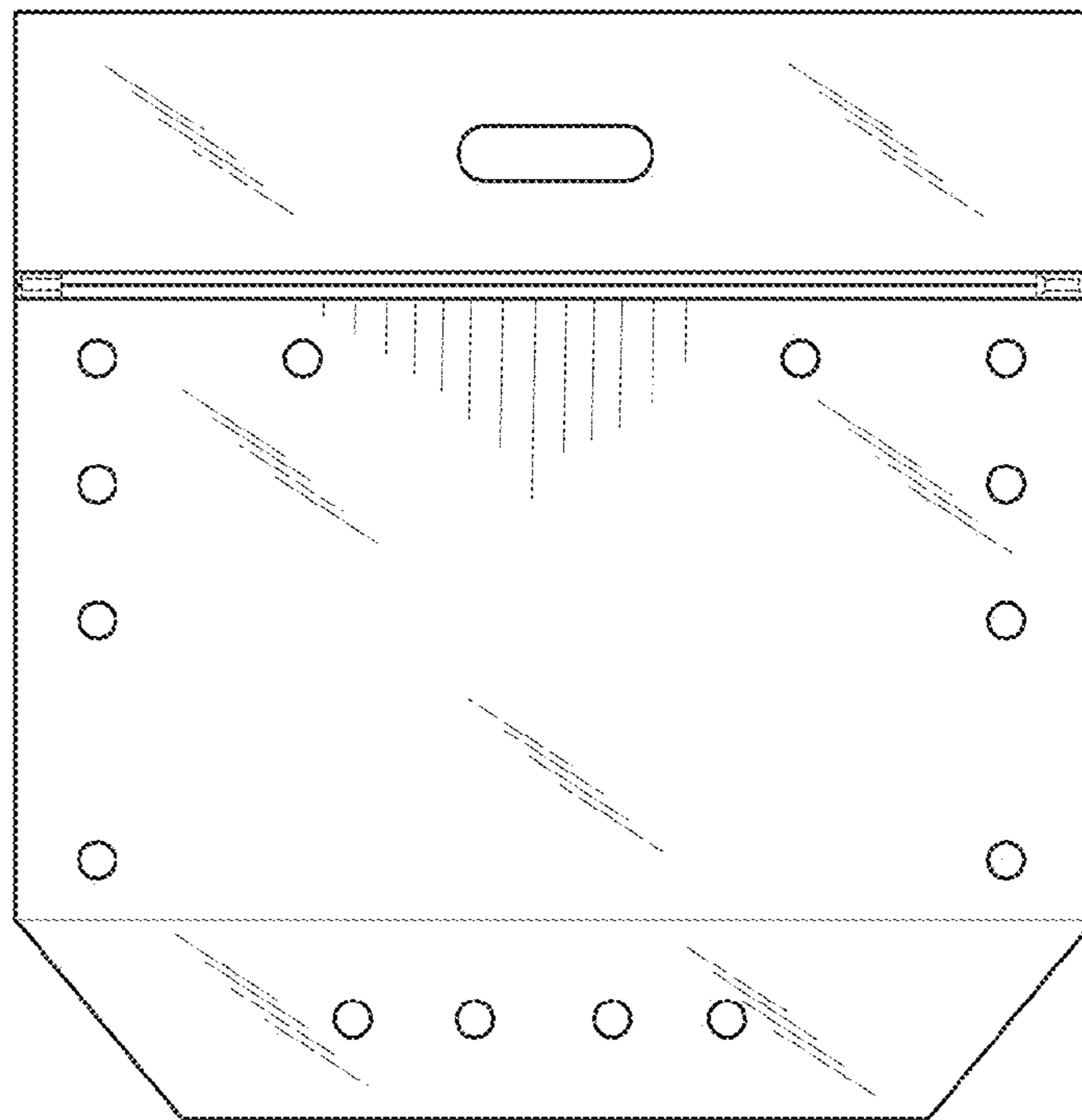


FIG. 3

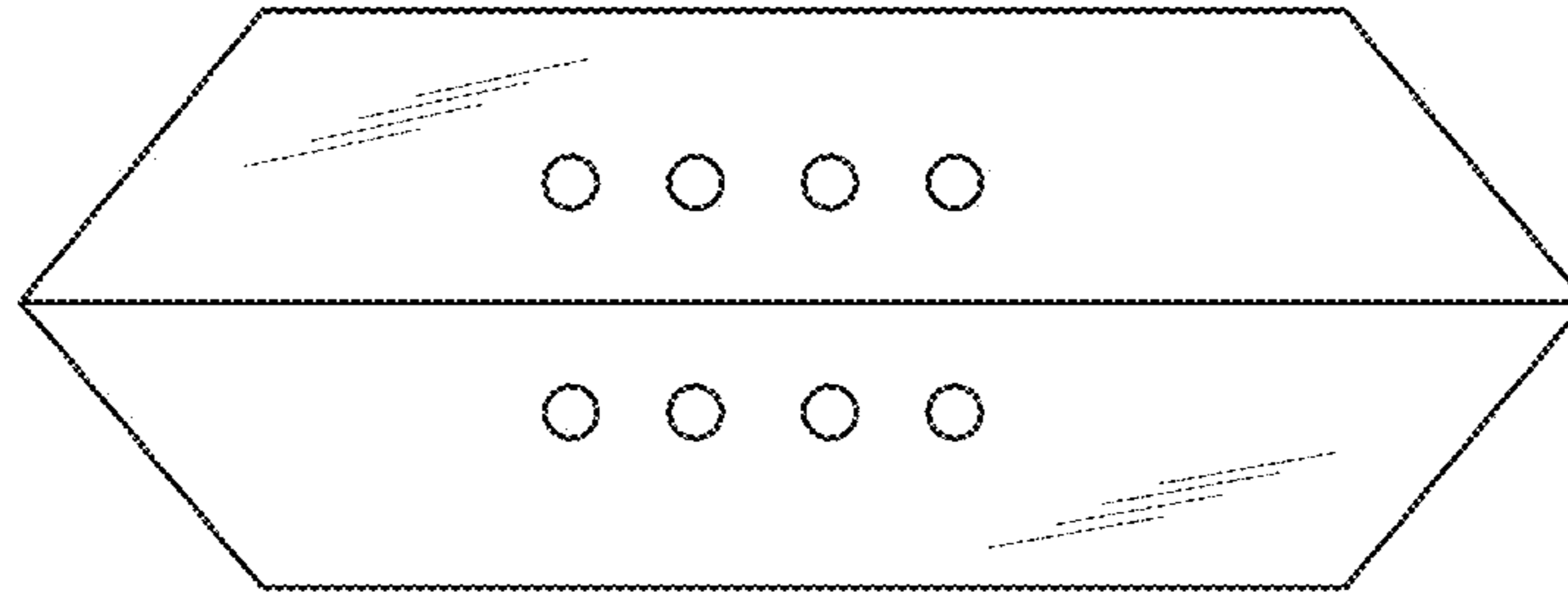


FIG. 4

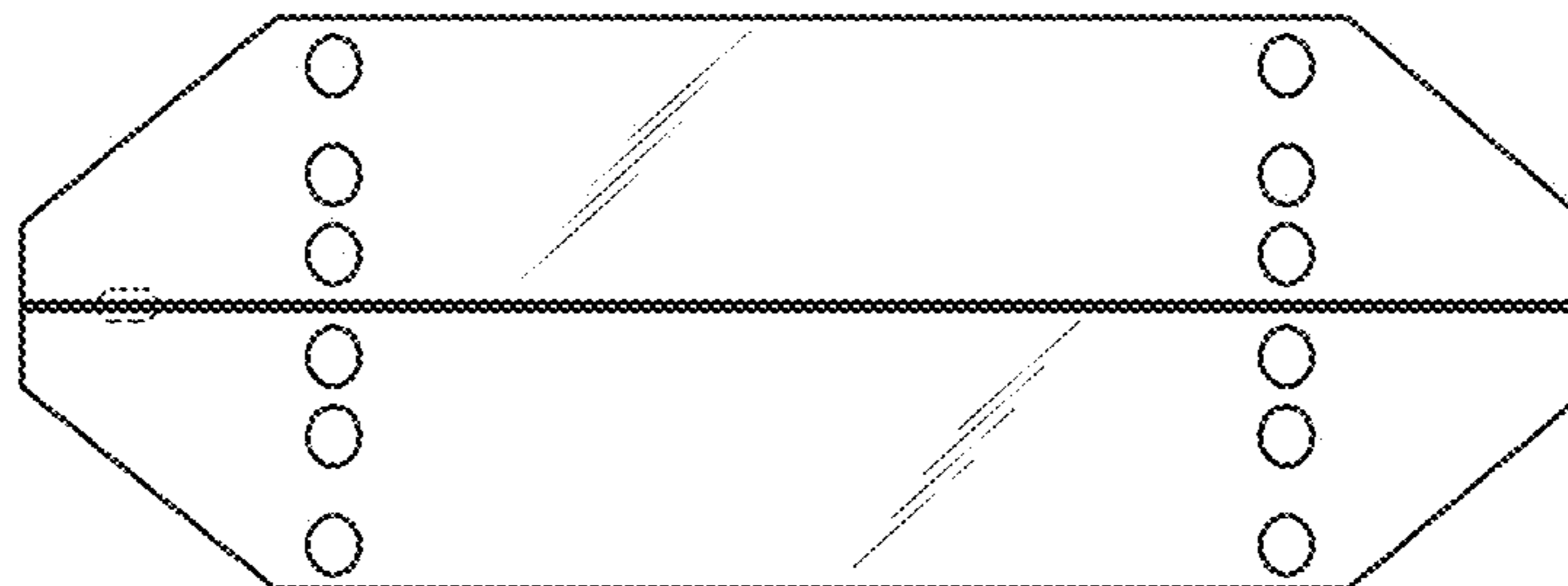


FIG. 5

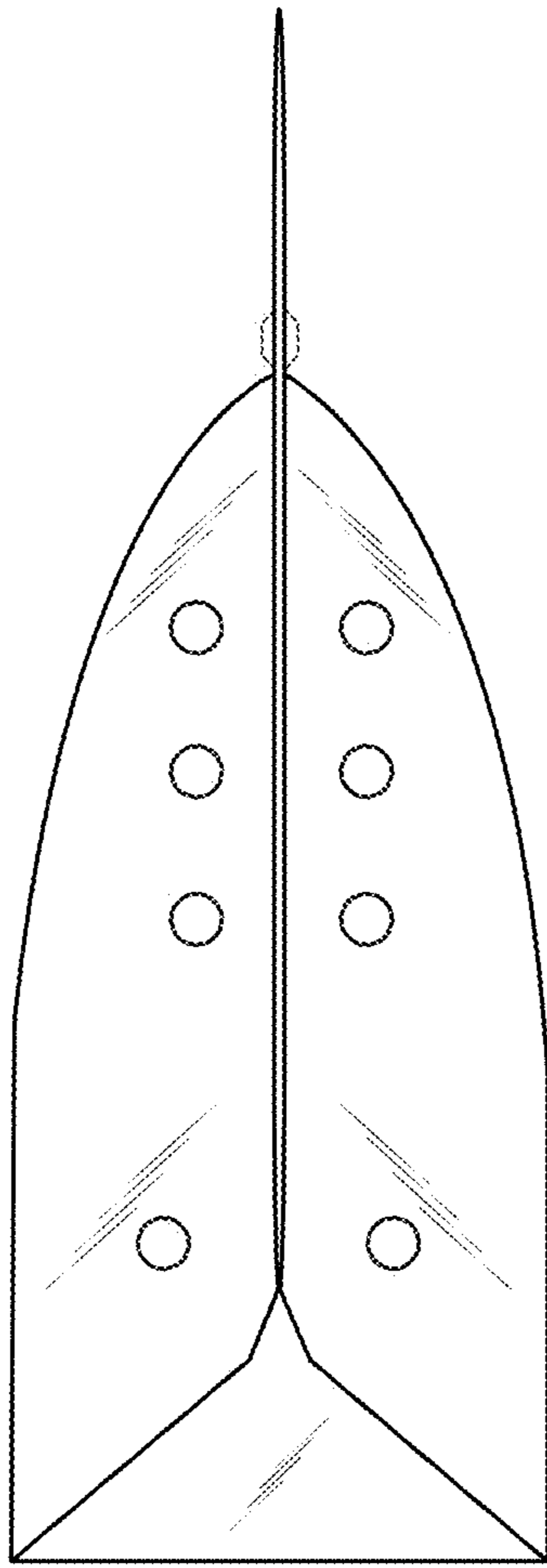


FIG. 6