



US00D913107S

(12) **United States Design Patent**
You

(10) **Patent No.:** **US D913,107 S**
(45) **Date of Patent:** **** Mar. 16, 2021**

(54) **CASE FOR SPOON OR FORK**

(71) Applicant: **Ji Young You**, Seoul (KR)

(72) Inventor: **Ji Young You**, Seoul (KR)

(**) Term: **15 Years**

(21) Appl. No.: **35/508,011**

(22) Filed: **Jun. 3, 2019**

(80) **Hague Agreement Data**

Int. Filing Date: **Jun. 3, 2019**

Int. Reg. No.: **DM/204162**

Int. Reg. Date: **Jun. 3, 2019**

Int. Reg. Pub. Date: **Dec. 6, 2019**

(51) **LOC (13) Cl.** **07-03**

(52) **U.S. Cl.**

USPC **D9/643**

(58) **Field of Classification Search**

USPC D7/354, 391, 401.2; D9/500, 504, 519,
D9/549, 558, 574, 575, 600, 602, 643,
D9/686; D28/82, 89

CPC A63B 43/00; B65D 5/4258; B65D 5/4262;
B65D 81/60; B65D 81/365; B65D
81/366; B65D 81/368; B65D 2203/00;
B65D 2203/02; B65D 67/00; B65D
69/00; A63H 81/16; A63F 9/001

See application file for complete search history.

(56) **References Cited**

U.S. PATENT DOCUMENTS

D16,159 S * 7/1885 Atterbury D9/545
D276,705 S * 12/1984 Oliveri D10/40
D306,965 S * 4/1990 Jaworski D9/500
D370,704 S * 6/1996 Oberhoff D21/684
D464,454 S * 10/2002 Suzuki D26/40
D518,384 S * 4/2006 Walters D9/520
D612,245 S * 3/2010 Canamasas Puigbo D9/519
D615,807 S * 5/2010 Creel D7/358

D640,558 S * 6/2011 Semersky D9/500
D710,544 S * 8/2014 Shen D28/77
D738,028 S * 9/2015 Wu A45D 40/22
D26/98
D747,621 S * 1/2016 Amerson D7/354
D758,557 S * 6/2016 Jih D23/355
D788,586 S * 6/2017 Molinari D9/504
D813,946 S * 3/2018 Melendez D19/9
D825,530 S * 8/2018 Chyzhov D14/216
D870,388 S * 12/2019 Cleij D28/89
2007/0108092 A1 * 5/2007 Minuto B65D 11/02
206/581
2016/0295993 A1 * 10/2016 Wojcik A45D 40/22

OTHER PUBLICATIONS

Screenshot: Egg-Shaped Container for Makeup Sponges. Undated; one page. Found online 11/3/220 at <https://www.theapollobox.com/product/sku941000/eggshaped-container-for-makeup-sponges> (Year: 2020).*

(Continued)

Primary Examiner — Robert M. Spear

(57) **CLAIM**

The ornamental design for a case for spoon or fork, as shown and described.

DESCRIPTION

1. Case for spoon or fork

1.1 : Perspective

1.2 : Front

1.3 : Back

1.4 : Top

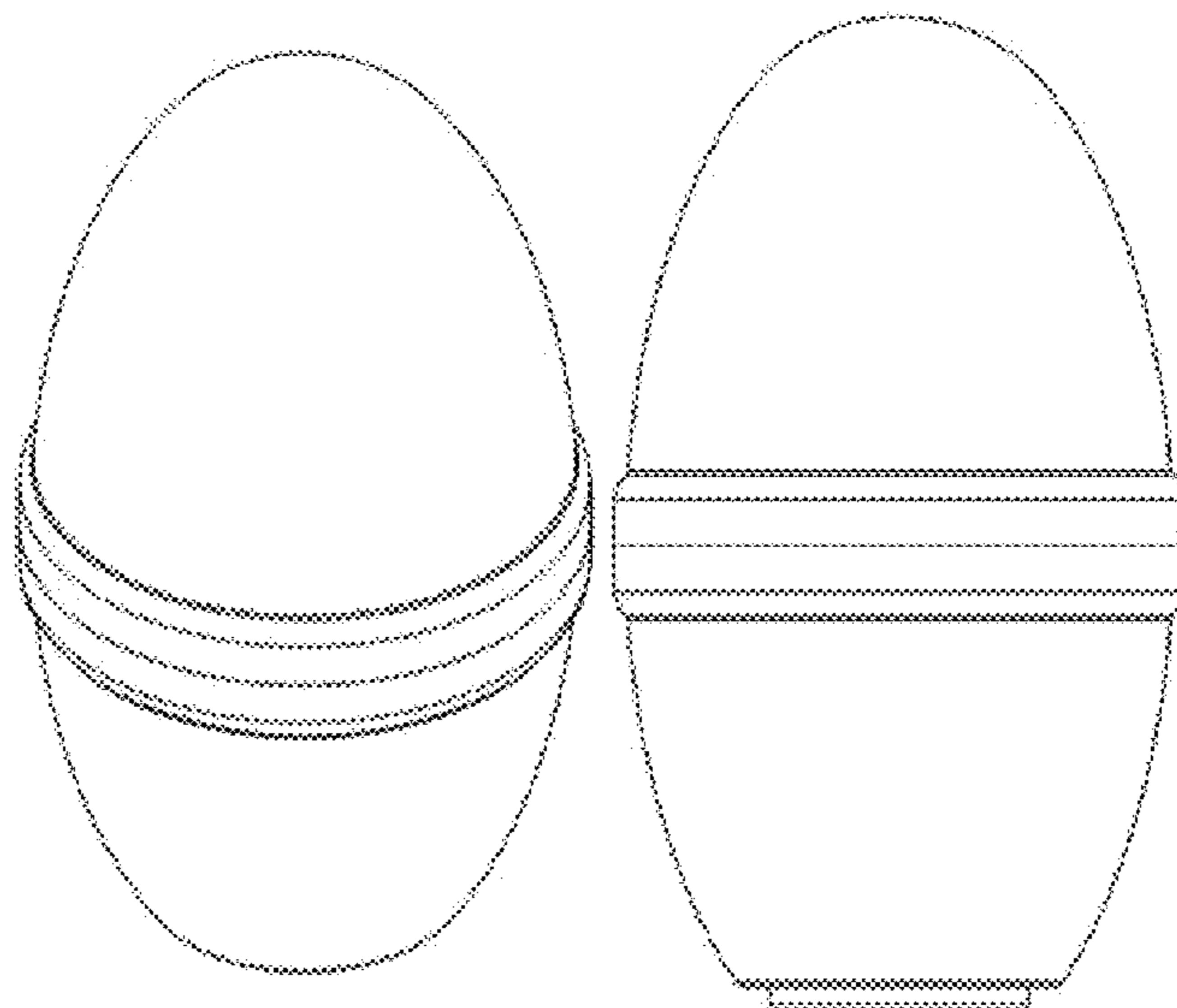
1.5 : Bottom

1.6 : Left

1.7 : Right

The combination of the shape and shape of a case for spoon or fork is the key point of the design; the case is divided into the upper and bottom parts and can contain a spoon or a fork inside.

1 Claim, 7 Drawing Sheets



(56)

References Cited

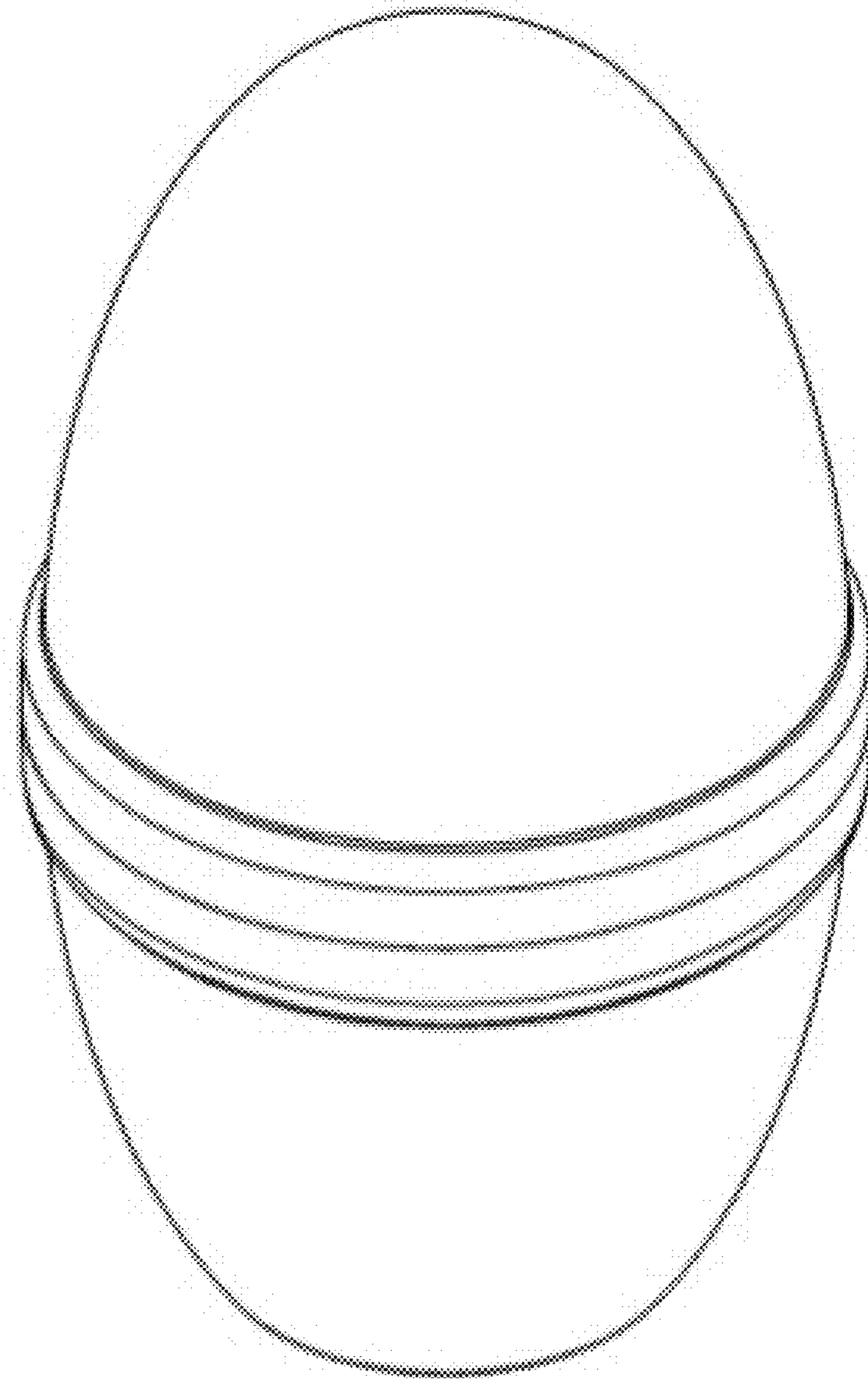
OTHER PUBLICATIONS

Screenshot: Christofle Mood 24-Piece Silver Plated Flatware Set. Undated; one page. Found online Nov. 3, 2020 at <https://www.luxdeco.com/products/mood-24-piece-silver-plated-flatware-set> (Year: 2020).*

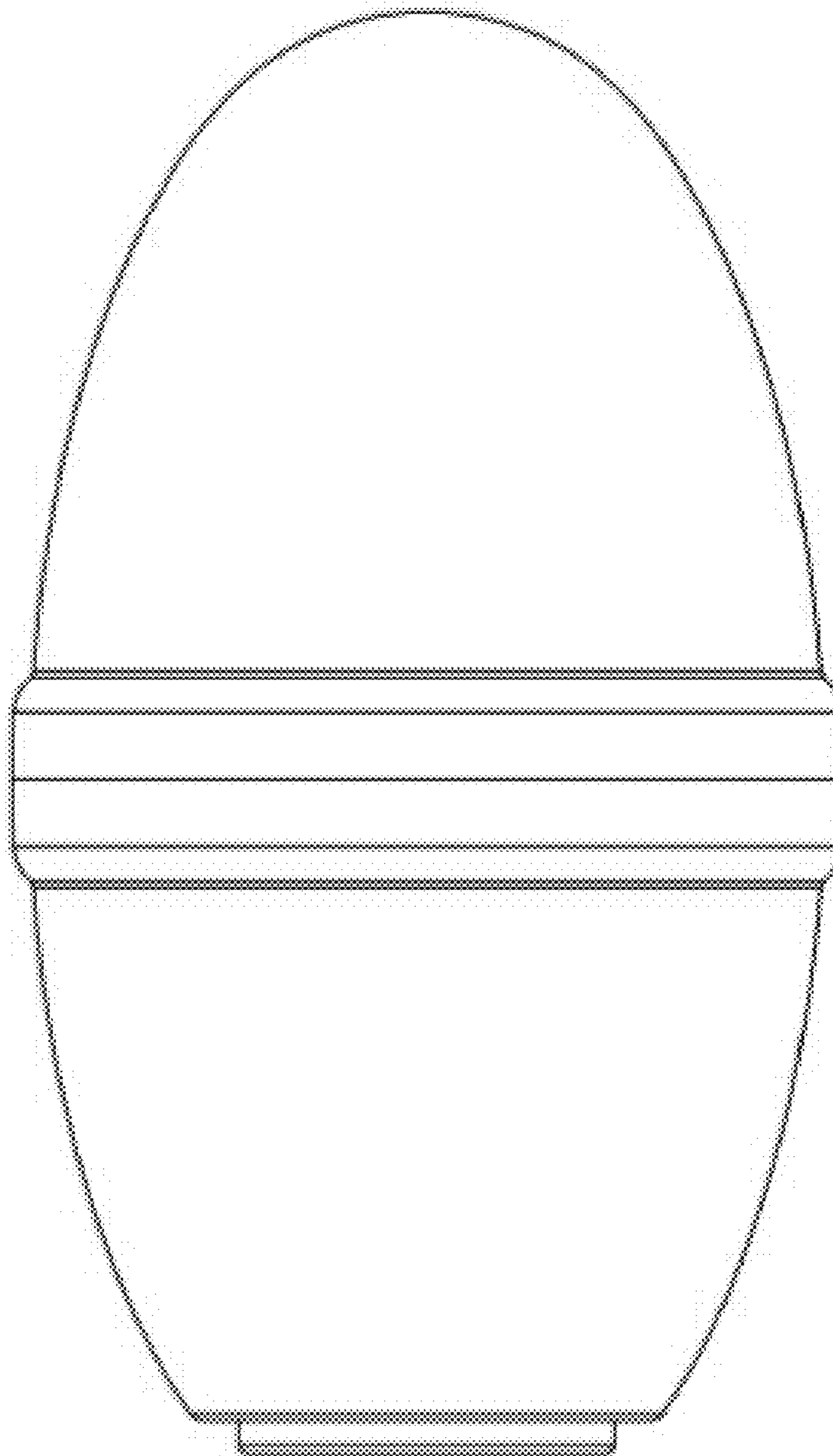
Two Screenshots: Pharrell Williams debuts The Pebble, a recyclable dining kit. Undated; one page. Found online Nov. 3, 2020 at <https://inhabitat.com/pharrell-williams-debuts-the-pebble-a-recyclable-dining-kit/> (Year: 2020).*

* cited by examiner

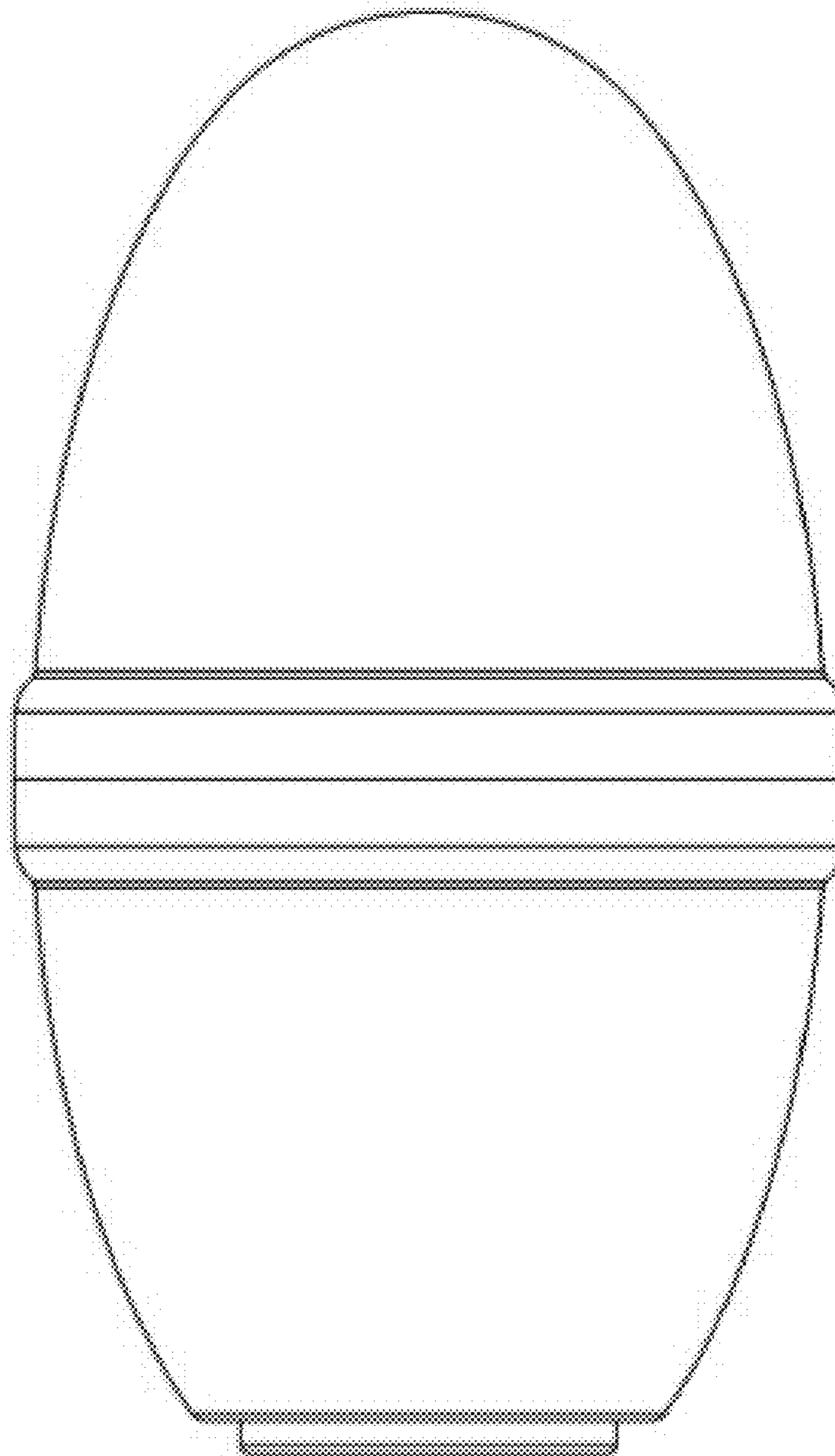
1.1



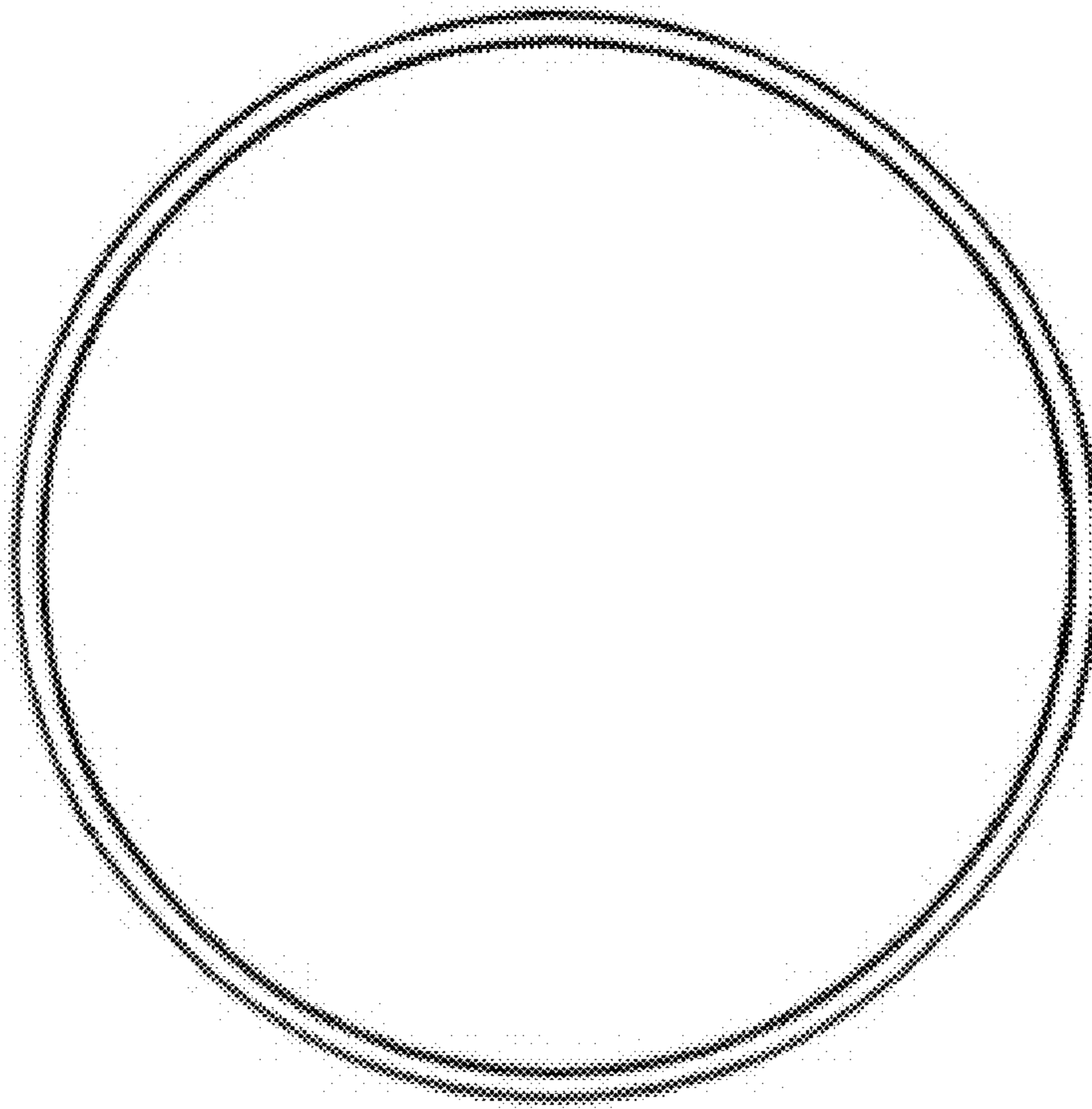
1.2



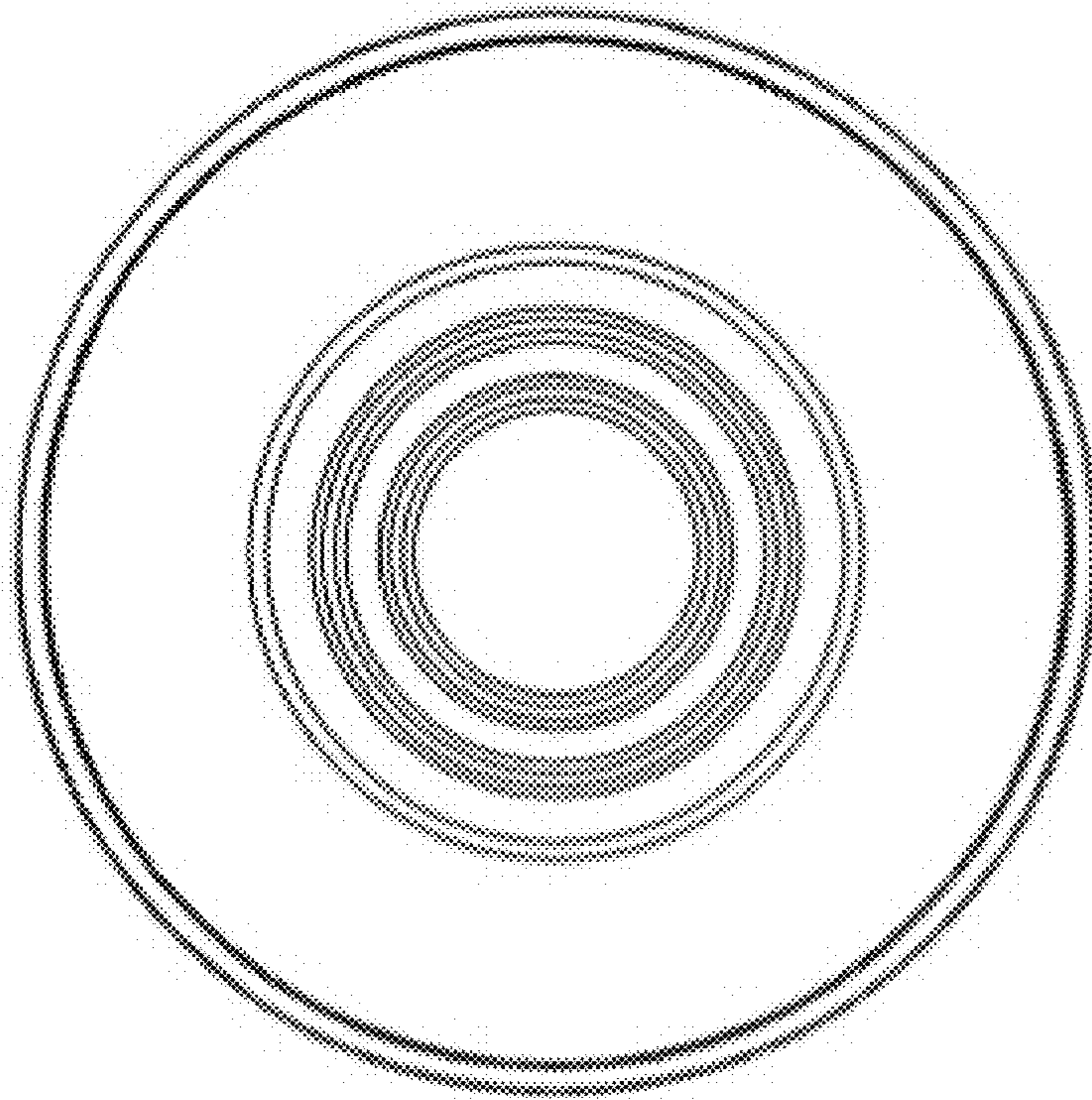
1.3



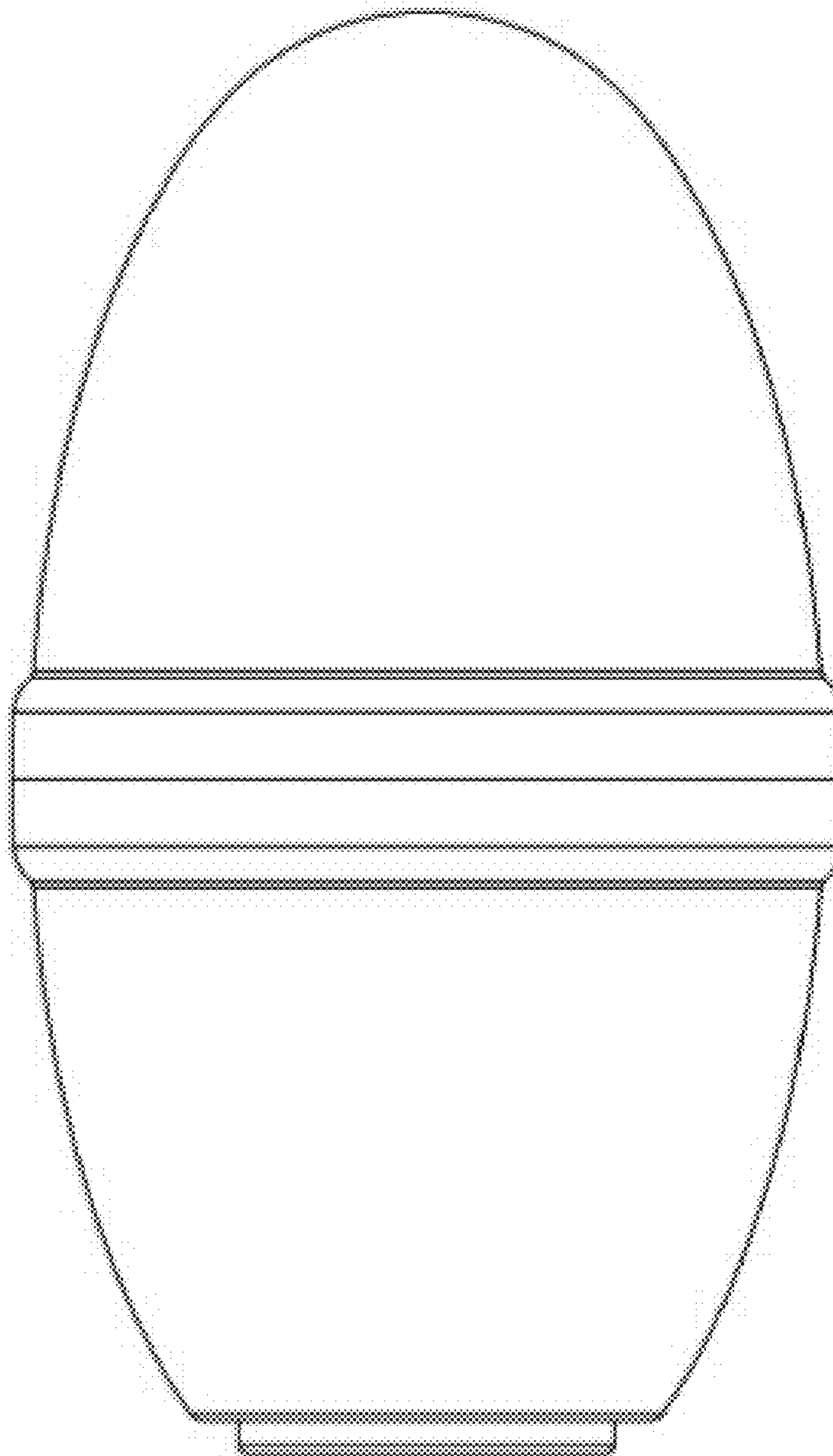
1.4



1.5



1.6



1.7

