



US00D913101S

(12) **United States Design Patent** (10) **Patent No.:** **US D913,101 S**  
**Boehm et al.** (45) **Date of Patent:** **\*\* Mar. 16, 2021**

(54) **DOSAGE DISPENSER**  
(71) Applicant: **3M INNOVATIVE PROPERTIES COMPANY**, St. Paul, MN (US)  
(72) Inventors: **Andreas J. Boehm**, Reichling (DE); **Marc Peuker**, Schoendorf (DE); **Giuseppe De Bellis**, San Donato Milanese (IT); **Stefan Eckstein**, Munich (DE); **Kristina Hinz**, Munich (DE)  
(73) Assignee: **3M Innovative Properties Company**, St. Paul, MN (US)  
(\*\*) Term: **15 Years**  
(21) Appl. No.: **29/667,734**  
(22) Filed: **Oct. 24, 2018**  
(30) **Foreign Application Priority Data**

May 3, 2018 (EM) ..... 005255890  
(51) **LOC (13) Cl.** ..... **09-01**  
(52) **U.S. Cl.**  
USPC ..... **D9/529; D9/575**  
(58) **Field of Classification Search**  
USPC ..... D9/686, 500-505, 516, 529, 543, 545, D9/549, 557, 558, 575, 428, 429, 435, D9/443, 446, 447, 449; D7/312, 313, D7/590; D24/121, 152, 156, 176, 181  
CPC ..... B65D 55/0818; B65D 47/0809; B65D 2203/02  
See application file for complete search history.

(56) **References Cited**  
U.S. PATENT DOCUMENTS  
D258,497 S \* 3/1981 Hartmann ..... D9/529  
D318,598 S \* 7/1991 Plough ..... D7/590  
D374,399 S \* 10/1996 Neveras ..... D9/442

D381,910 S \* 8/1997 Sayers ..... D9/447  
D431,410 S \* 10/2000 Huang ..... D7/313  
D473,457 S \* 4/2003 Reinoso ..... D9/686  
D504,818 S \* 5/2005 Bakic ..... D9/449  
D540,189 S \* 4/2007 Larocca ..... D9/449  
D553,800 S \* 10/2007 Hollmann ..... D28/89  
D562,080 S \* 2/2008 Jossem ..... D7/590  
D566,558 S \* 4/2008 Bakic ..... D9/503  
D581,791 S \* 12/2008 Bakic ..... D9/449  
D599,670 S \* 9/2009 Qin ..... D9/529  
D650,696 S \* 12/2011 Peden, III ..... D9/686  
D652,668 S \* 1/2012 Wang ..... D7/306  
D677,572 S \* 3/2013 Papiernik ..... D9/529  
D688,918 S \* 9/2013 Jin ..... D7/590  
D692,762 S \* 11/2013 Walter ..... D9/504  
D739,251 S \* 9/2015 Kawai ..... D9/560  
D748,949 S \* 2/2016 Long, Sr. .... D7/590  
D758,195 S \* 6/2016 Braz ..... D9/529  
D789,200 S \* 6/2017 Deringer ..... D9/449  
D882,409 S \* 4/2020 Wong ..... D9/686  
2012/0273523 A1 \* 11/2012 Walter ..... B65D 50/046  
222/153.14  
2020/0140164 A1 \* 5/2020 Peuker ..... B65D 47/0809

\* cited by examiner

*Primary Examiner* — Cathron C Brooks  
*Assistant Examiner* — Sharon S Oum

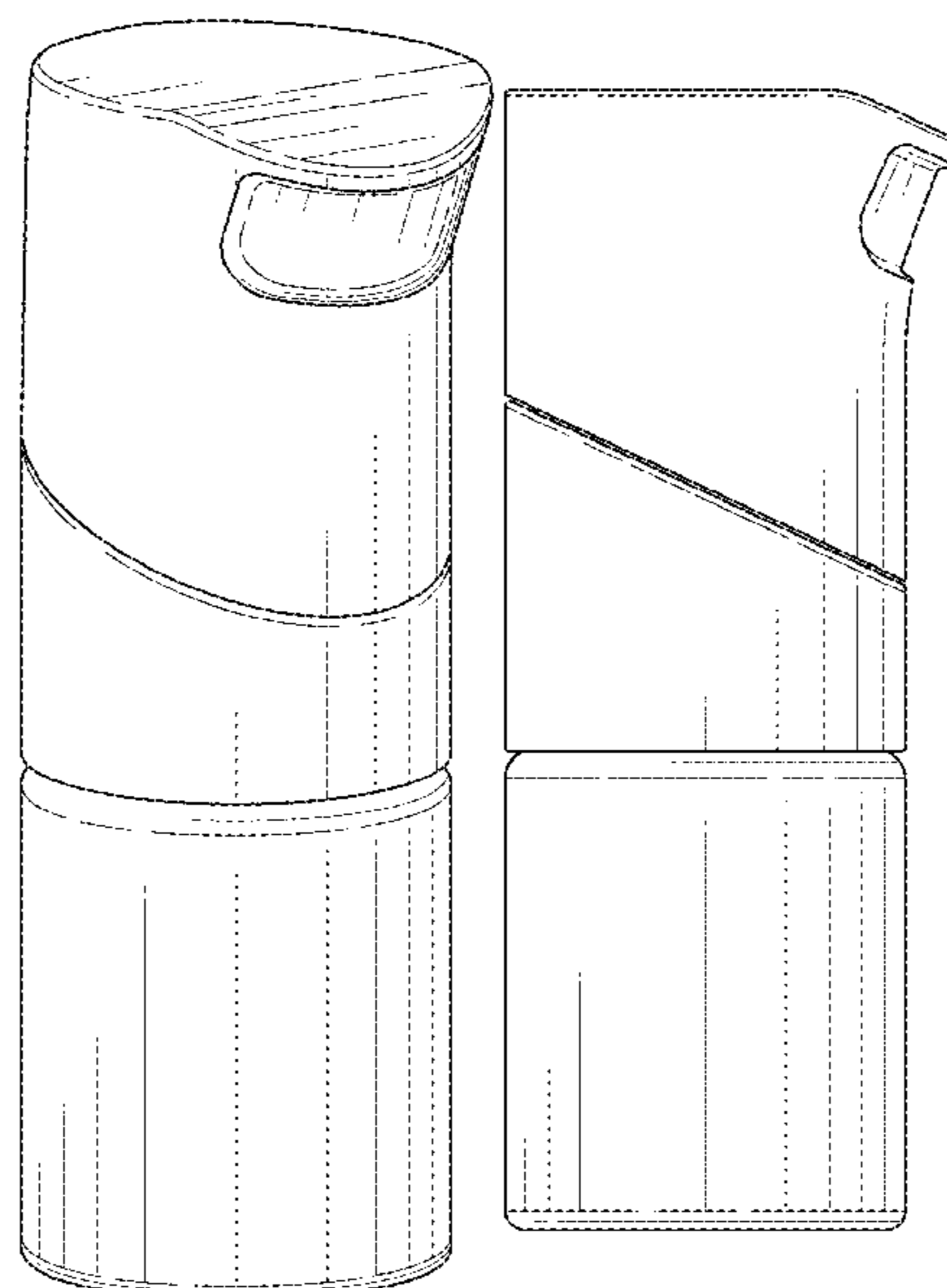
(57) **CLAIM**

The ornamental design for a dosage dispenser, as shown and described.

**DESCRIPTION**

FIG. 1 is a perspective view of a dosage dispenser showing our new design.  
FIG. 2 is a front view thereof;  
FIG. 3 is a rear view thereof;  
FIG. 4 is a left-side view thereof, the right-side view being a mirror image thereof;  
FIG. 5 is a top view thereof; and,  
FIG. 6 is a bottom plan view thereof.

**1 Claim, 3 Drawing Sheets**



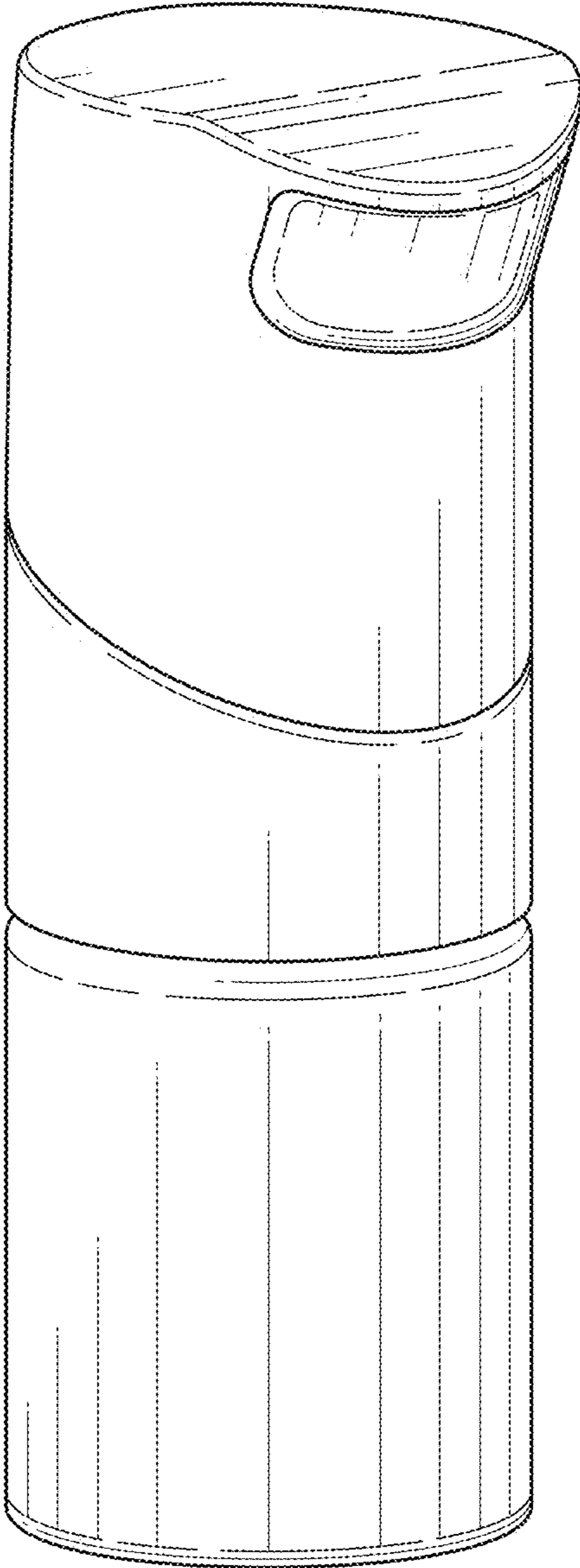


FIG. 1

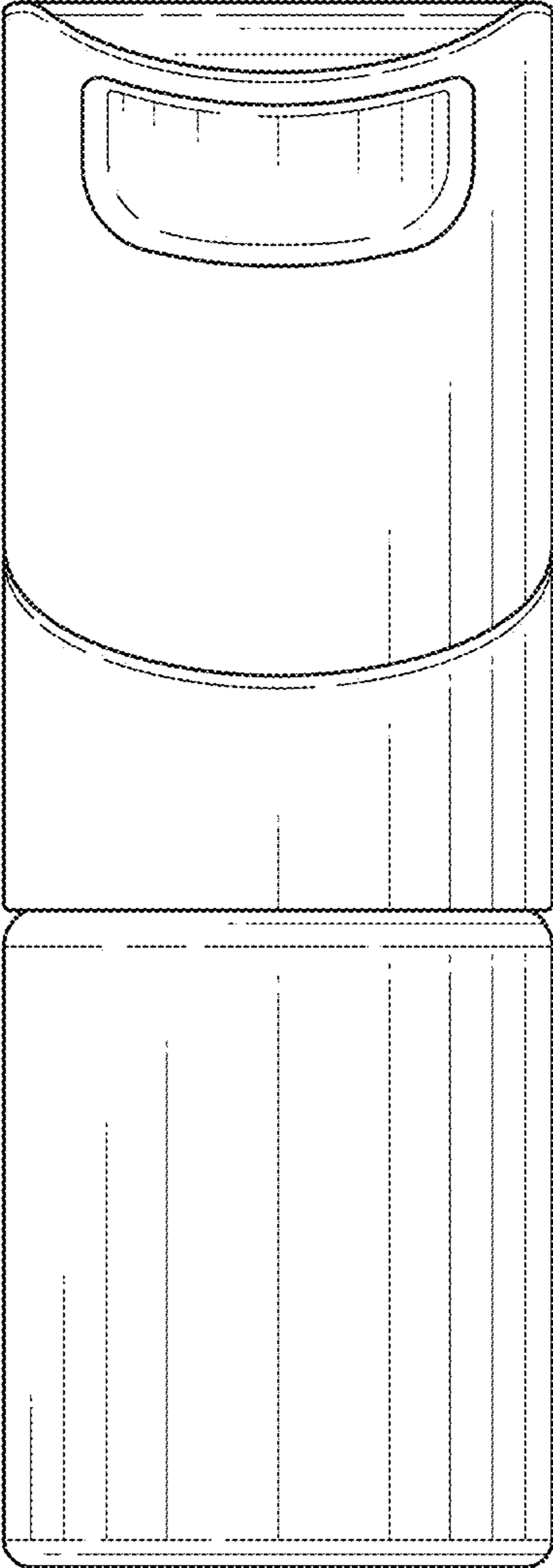


FIG. 2

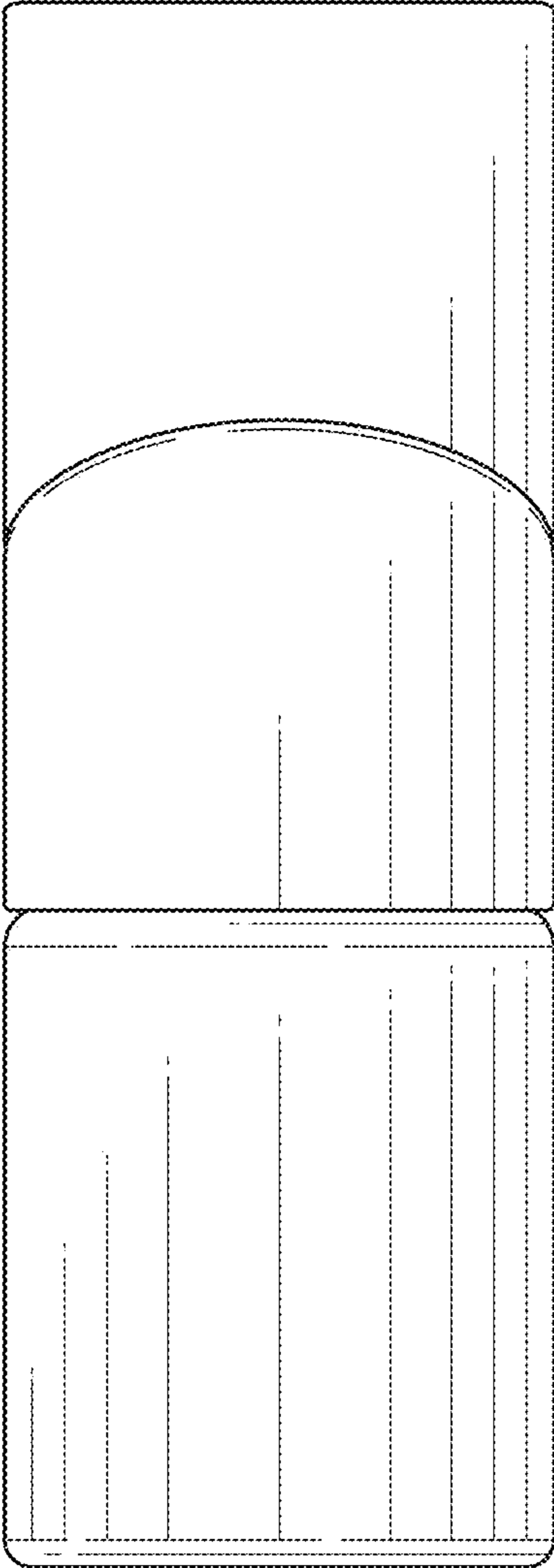


FIG. 3

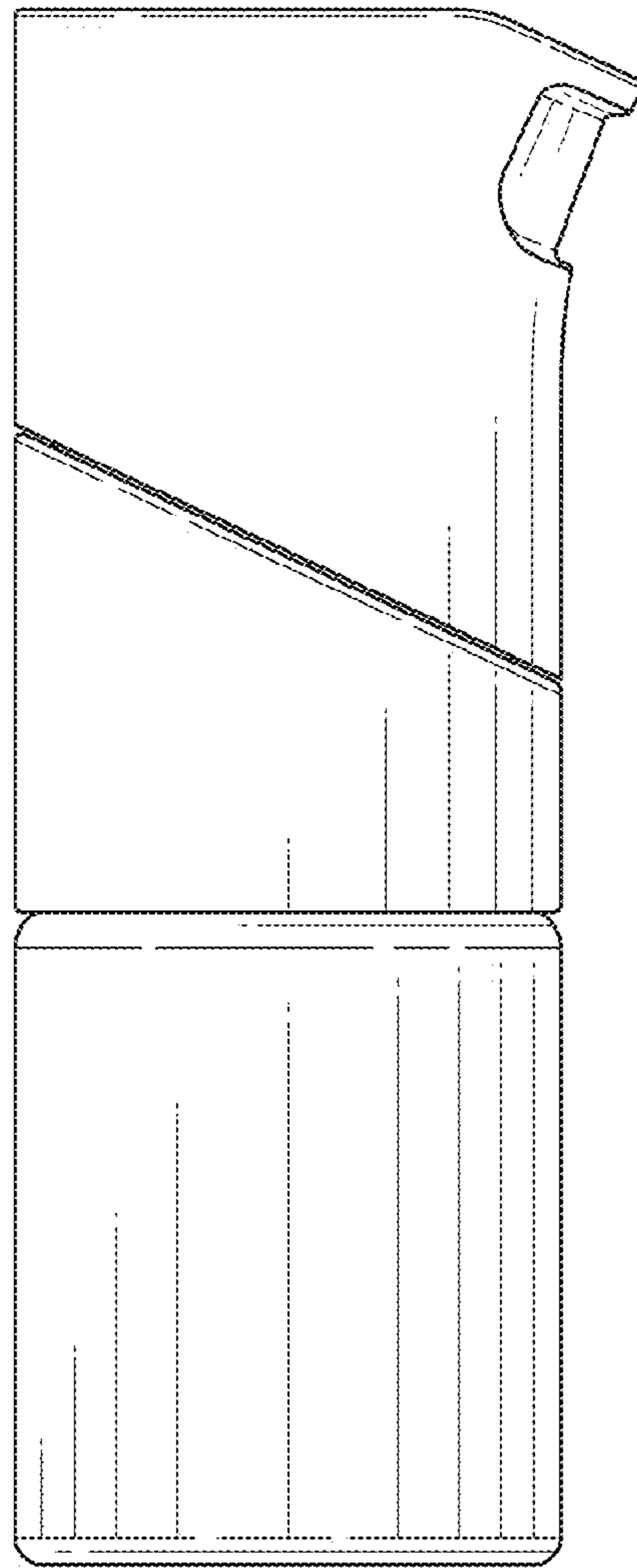


FIG. 4

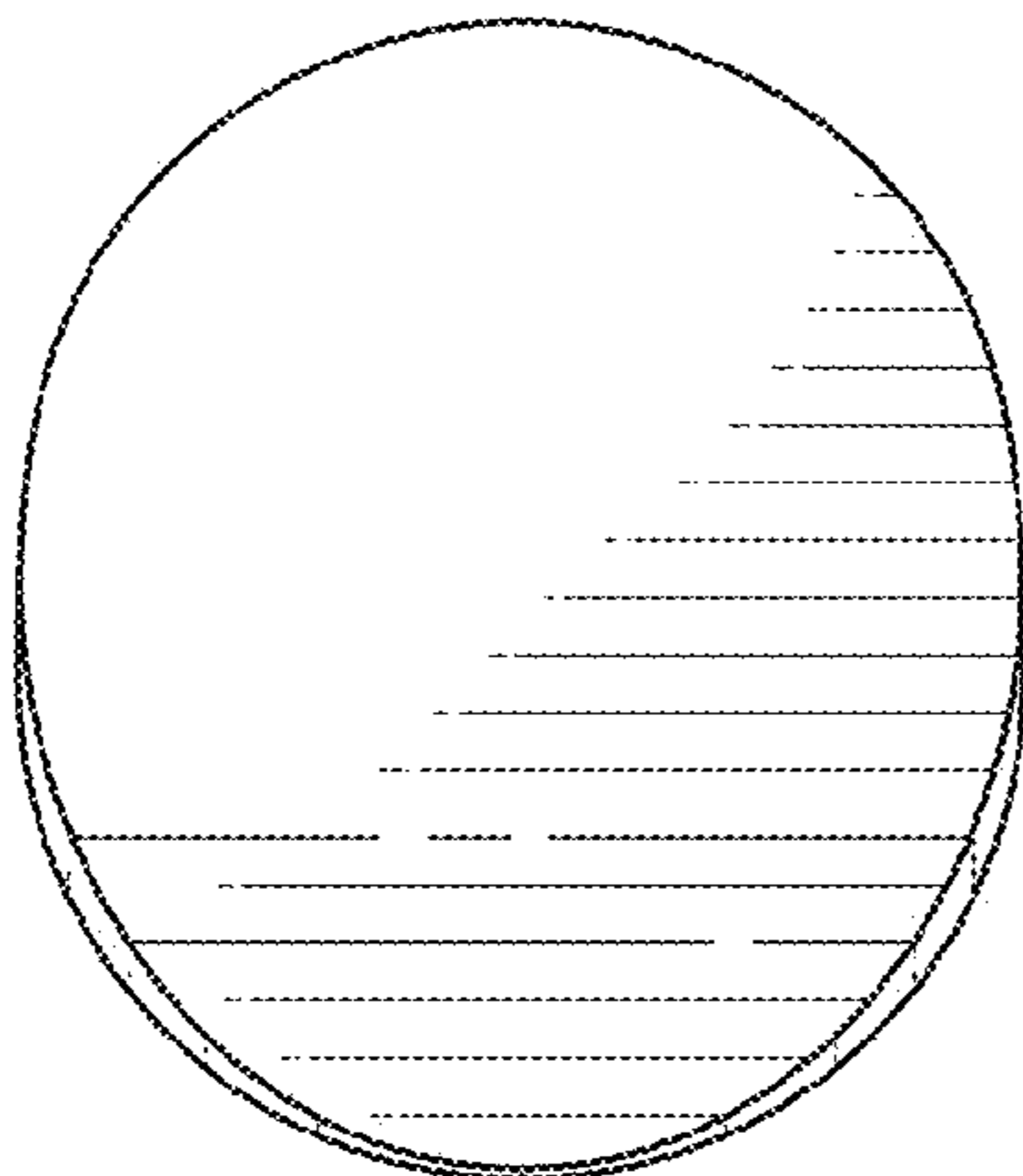


FIG. 5

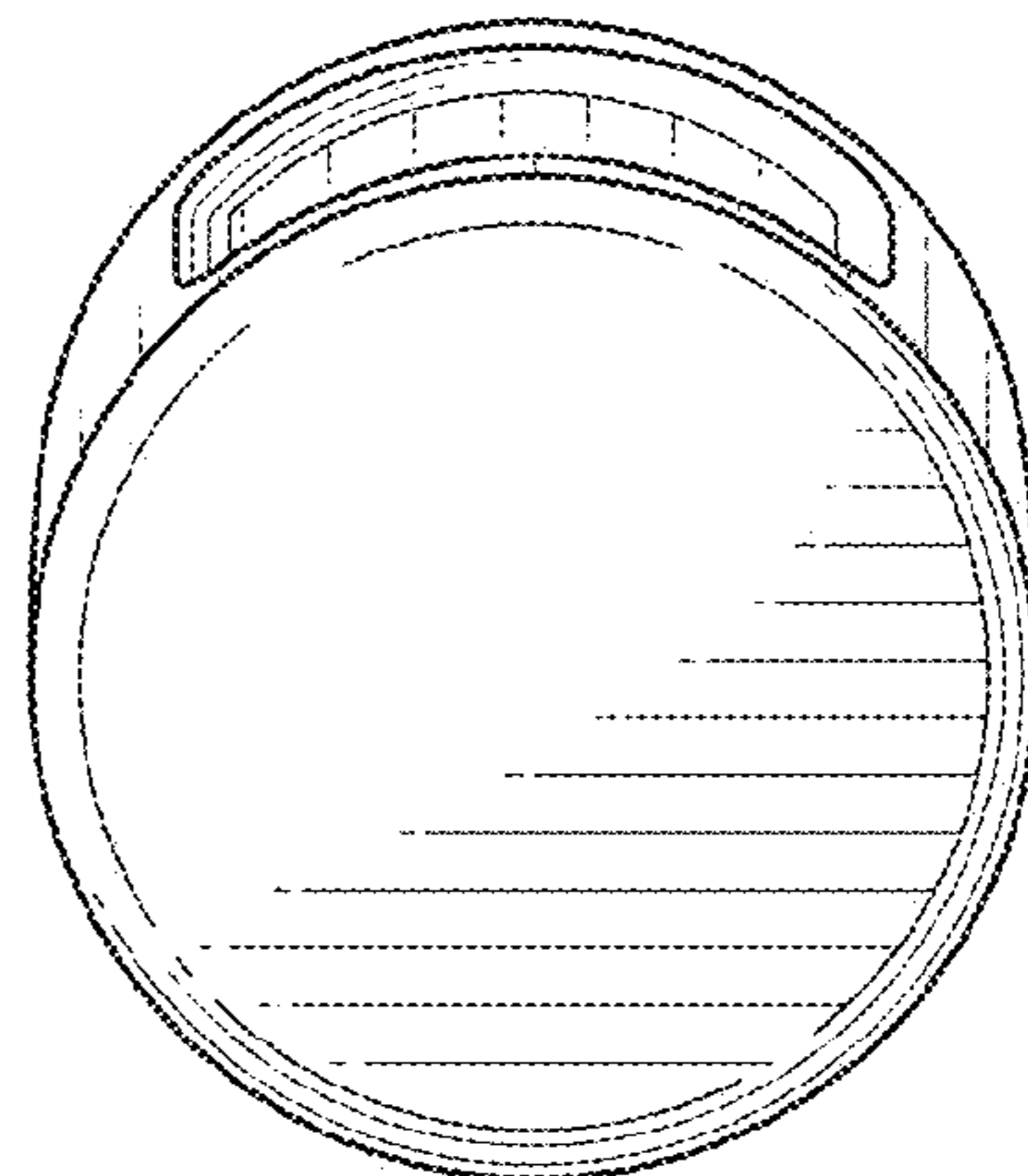


FIG. 6