



US00D913100S

(12) **United States Design Patent**
Duong

(10) **Patent No.:** **US D913,100 S**

(45) **Date of Patent:** **** Mar. 16, 2021**

(54) **JAR WITH A TRANSPARENT WINDOWED LID**

(71) Applicant: **Glam and Glits Nail Design, Inc.,**
Bakersfield, CA (US)

(72) Inventor: **Khoa Duong,** Bakersfield, CA (US)

(73) Assignee: **Glam and Glits Nail Design, Inc.,**
Bakersfield, CA (US)

(**) Term: **15 Years**

(21) Appl. No.: **29/725,926**

(22) Filed: **Feb. 27, 2020**

(51) **LOC (13) Cl.** **09-01**

(52) **U.S. Cl.**
USPC **D9/504; D9/454; D9/520**

(58) **Field of Classification Search**
USPC D9/414-415, 418, 434-435, 454, 500,
D9/503-504, 516, 520, 529, 549, 558,
D9/715, 719; D3/202, 203.2; D27/190;
D28/4, 8, 76-77, 91
CPC B65D 1/00; B65D 1/02; B65D 1/0223;
B65D 23/00; B65D 51/32; B65D
2501/00; B65D 2501/0009

See application file for complete search history.

(56) **References Cited**

U.S. PATENT DOCUMENTS

D118,560 S *	1/1940	Imre	D9/624
3,847,494 A *	11/1974	Franklin	A45D 40/0068 403/345
D271,180 S	11/1983	Runyon		
D274,848 S *	7/1984	Chevassus	D28/76
D328,248 S *	7/1992	Ruff	D9/418
D405,699 S	2/1999	Chae		
D424,749 S	5/2000	Zalzal		
D440,016 S *	4/2001	Thorpe	D28/77
D444,394 S *	7/2001	Mettler	D9/574
D445,032 S	7/2001	Hammer		

D448,299 S	9/2001	Negre		
6,286,520 B1 *	9/2001	Lin	A45D 33/00 132/293
D457,433 S *	5/2002	Costanzo	D9/454
D484,644 S	12/2003	Noh		
D485,017 S	1/2004	Noh		
D493,721 S *	8/2004	Puigbo	D28/76
D498,678 S	11/2004	Ames		
D503,889 S	4/2005	Yeung		
D504,542 S	4/2005	Noh		
D517,733 S	3/2006	Tsai		
D518,381 S *	4/2006	Egawa	D9/504
D522,695 S *	6/2006	Desdoigts	D28/82

(Continued)

OTHER PUBLICATIONS

www.beauty-make-up-supply.com cosmetic jars webpage, "Luxury Cosmetic Jars with Lids," Feb. 27, 2020—6 pages.

Primary Examiner — Dana Meyrow

(74) *Attorney, Agent, or Firm* — Lapple Ubell IP Law, LLP; Matthew C. Lapple

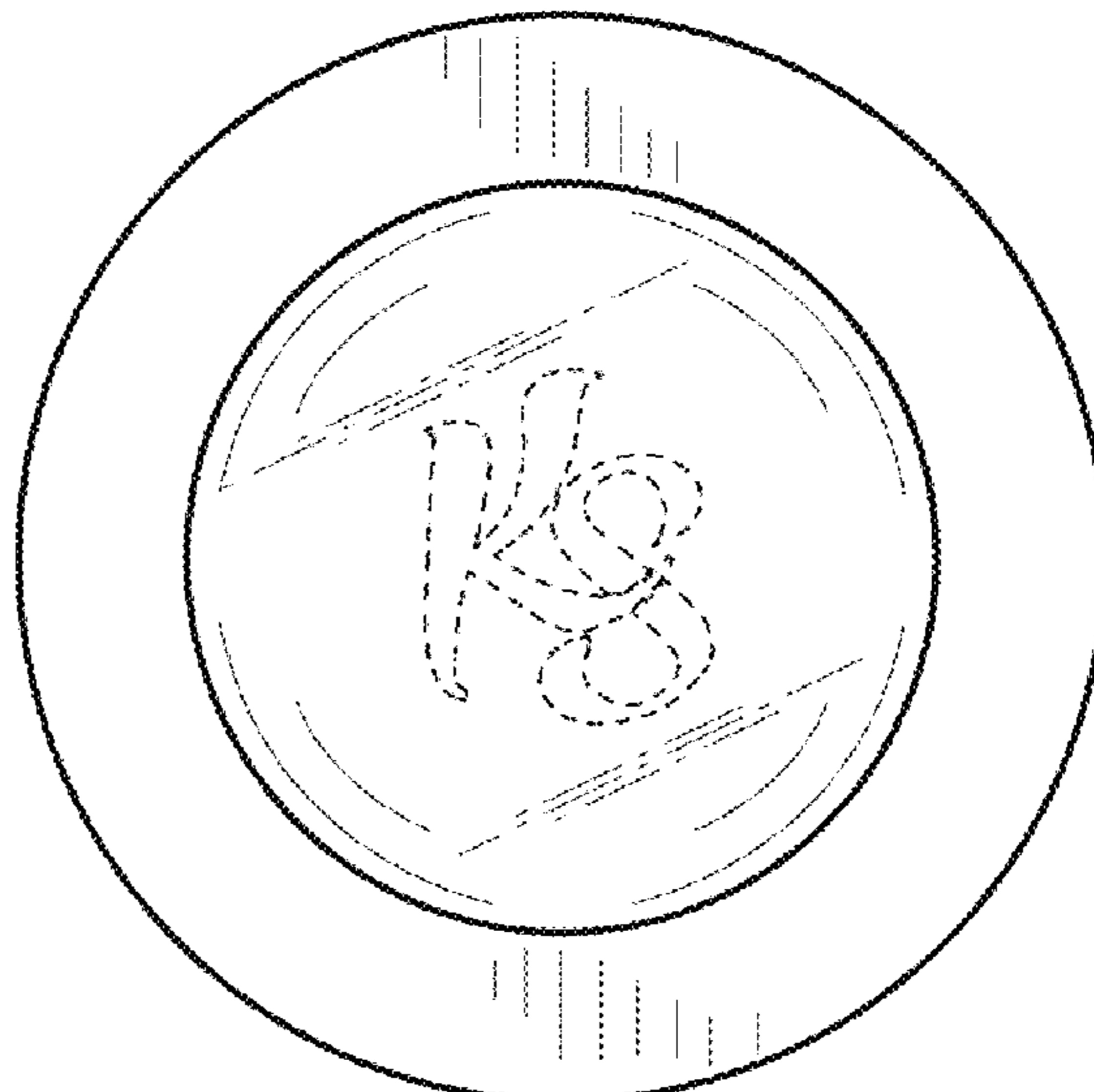
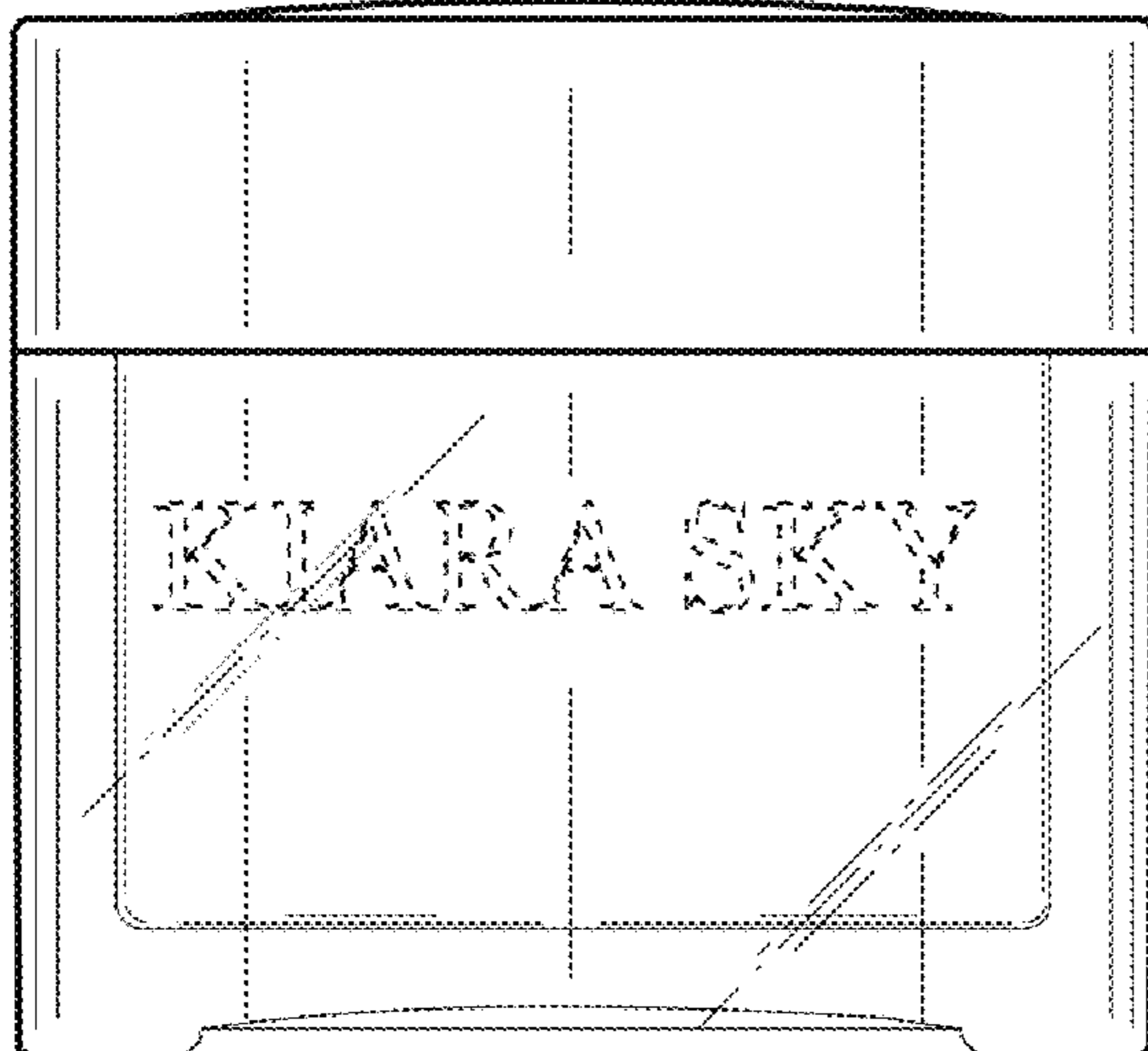
(57) **CLAIM**

The ornamental design for a jar with a transparent windowed lid, as shown and described.

DESCRIPTION

FIG. 1 is a perspective view of a jar with a transparent windowed lid showing my new design; FIG. 2 is front view thereof; FIG. 3 is a back view thereof; FIG. 4 is a right side view thereof; FIG. 5 is a left side view thereof; FIG. 6 is a top view thereof; and, FIG. 7 is an exploded view thereof. The details visible through the transparent portion of the lid in FIGS. 1 & 7 are not included in the claimed design and have been omitted for ease of understanding.

1 Claim, 5 Drawing Sheets



(56)

References Cited

U.S. PATENT DOCUMENTS

D525,136 S	7/2006	Bakic		D703,055 S	4/2014	Park	
D530,208 S *	10/2006	Danne	D9/504	D728,372 S	5/2015	Behar et al.	
D532,556 S	11/2006	Noh		D731,891 S	6/2015	Servaire	
D539,984 S *	4/2007	Egawa	D28/89	D733,967 S	7/2015	Schlatter	
D540,170 S	4/2007	Canamasas Puigbo		D736,643 S	8/2015	Mettler et al.	
D543,458 S	5/2007	Dittmer et al.		D739,741 S	9/2015	Staab	
D555,835 S	11/2007	Song		D743,797 S	11/2015	Delagrang	
D561,943 S *	2/2008	Desdoigts	D28/82	D744,293 S	12/2015	Linder	
D574,710 S	8/2008	Gangrade		D746,627 S	1/2016	Puigbo	
D577,290 S	9/2008	Moretti		D748,976 S	2/2016	Mitchell	
D581,279 S	11/2008	Oates		D755,051 S	5/2016	Otani et al.	
D582,283 S	12/2008	O'Donahue		D756,226 S	5/2016	In et al.	
D582,291 S	12/2008	de Baschmakoff		D765,512 S	9/2016	Joulia	
D593,372 S	6/2009	Carreno		D769,719 S *	10/2016	Lebon	D9/500
D595,578 S *	7/2009	Del Tedesco Zamberlan	D28/76	D776,524 S	1/2017	Albano et al.	
D610,460 S	2/2010	Nagata		D781,151 S	3/2017	Lerman	
D611,354 S	3/2010	Usui et al.		D787,895 S	5/2017	Kilduff et al.	
D613,603 S	4/2010	Rowland et al.		D789,794 S	6/2017	Kim	
D615,868 S	5/2010	Rodriguez et al.		D792,223 S	7/2017	Kim	
D621,261 S	8/2010	DeMarco		D795,705 S	8/2017	Huang	
D627,650 S	11/2010	Yeung		D796,329 S	9/2017	Burditt, Jr. et al.	
D630,949 S	1/2011	Lim		D803,060 S	11/2017	Marina et al.	
D640,925 S	7/2011	Rodriguez et al.		D807,748 S	1/2018	Bauchwitz	
D641,257 S	7/2011	Thiebaut et al.		D816,505 S	5/2018	Percassi	
D645,749 S	9/2011	Lee		D821,216 S	6/2018	Weinrich	
D645,750 S *	9/2011	Lee	D9/445	D835,508 S	12/2018	Burrowes et al.	
D651,900 S	1/2012	Ashiwa et al.		D837,651 S	1/2019	Jeong	
D659,004 S	5/2012	McCoy		D840,235 S	2/2019	Komai et al.	
D659,005 S *	5/2012	McCoy	D28/82	D842,700 S	3/2019	Blomberg et al.	
D674,698 S	1/2013	Mongeon et al.		D843,835 S	3/2019	Staab	
D676,324 S	2/2013	DeMarco		D845,129 S	4/2019	Lee	
D691,888 S	10/2013	Mettler et al.		D845,136 S	4/2019	Mateus et al.	
D692,184 S *	10/2013	DeMarco	D28/88	D845,768 S *	4/2019	Mateus	D9/500
D697,800 S	1/2014	Villarreal et al.		D847,645 S	5/2019	Lee	
D697,806 S	1/2014	In		D855,466 S	8/2019	Chen et al.	
D702,555 S *	4/2014	Park	D9/454	D862,232 S *	10/2019	Burrowes	D9/500
				D865,529 S	11/2019	Tidwell et al.	
				D867,155 S	11/2019	Oishi	

* cited by examiner

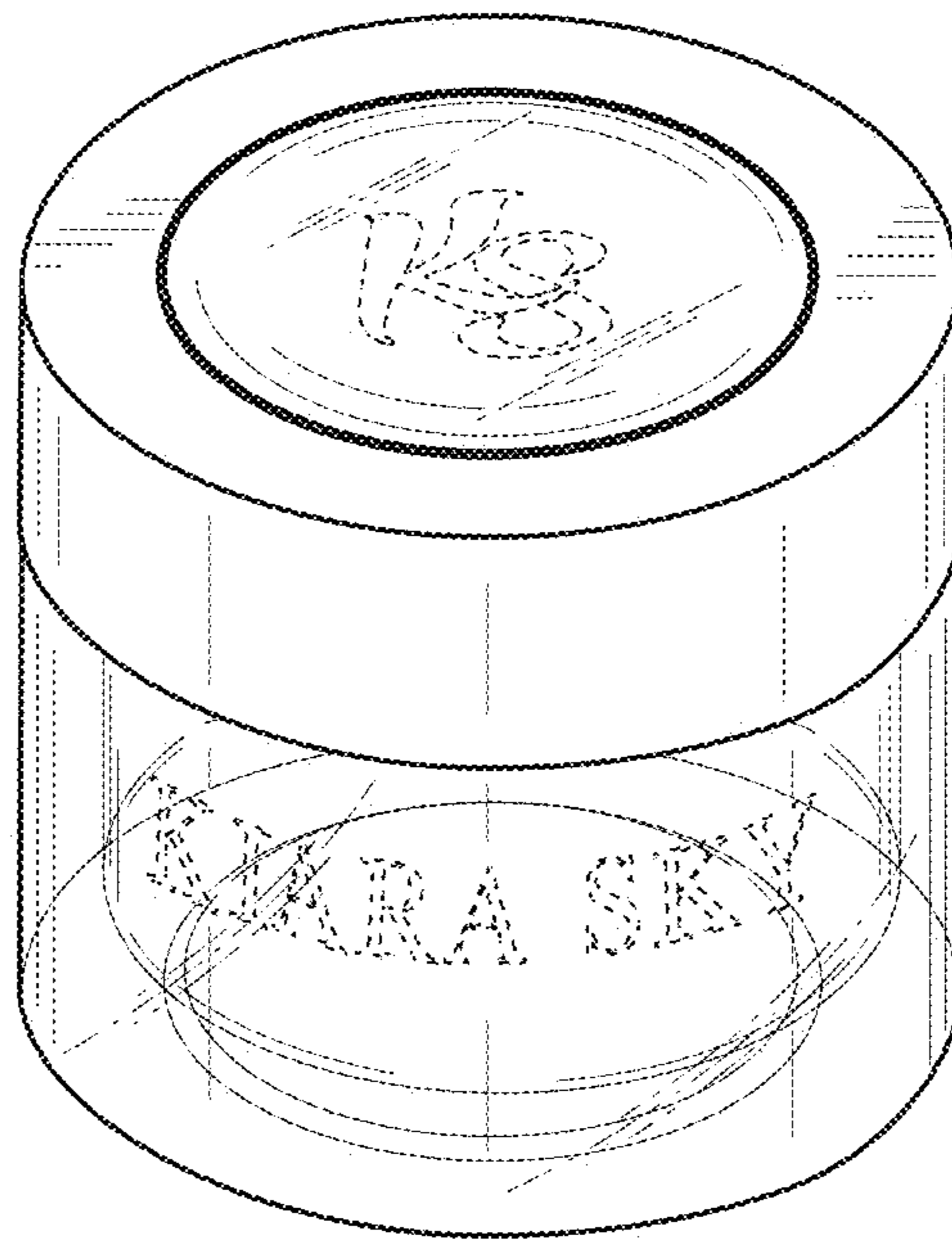


FIG. 1

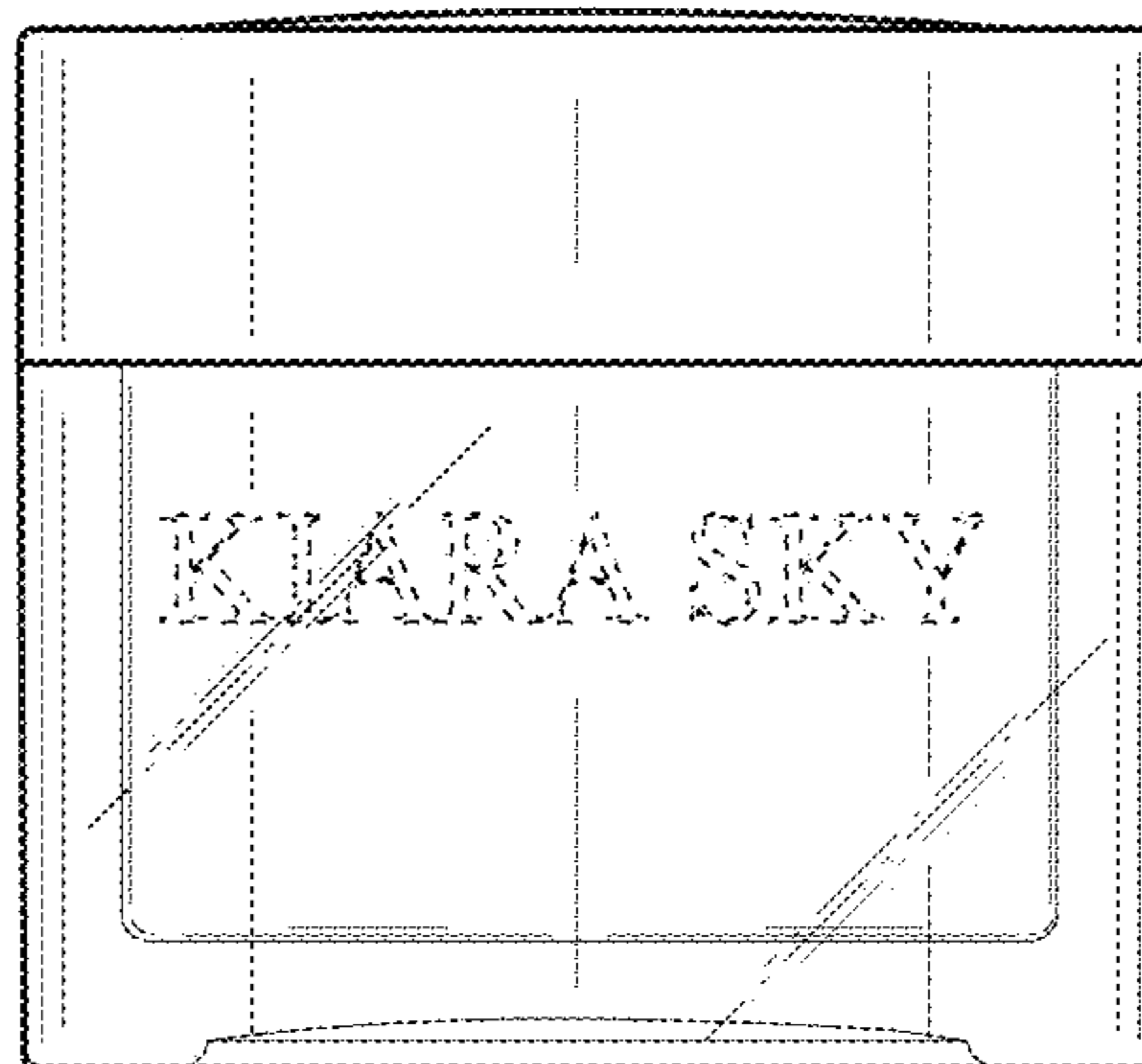


FIG. 2

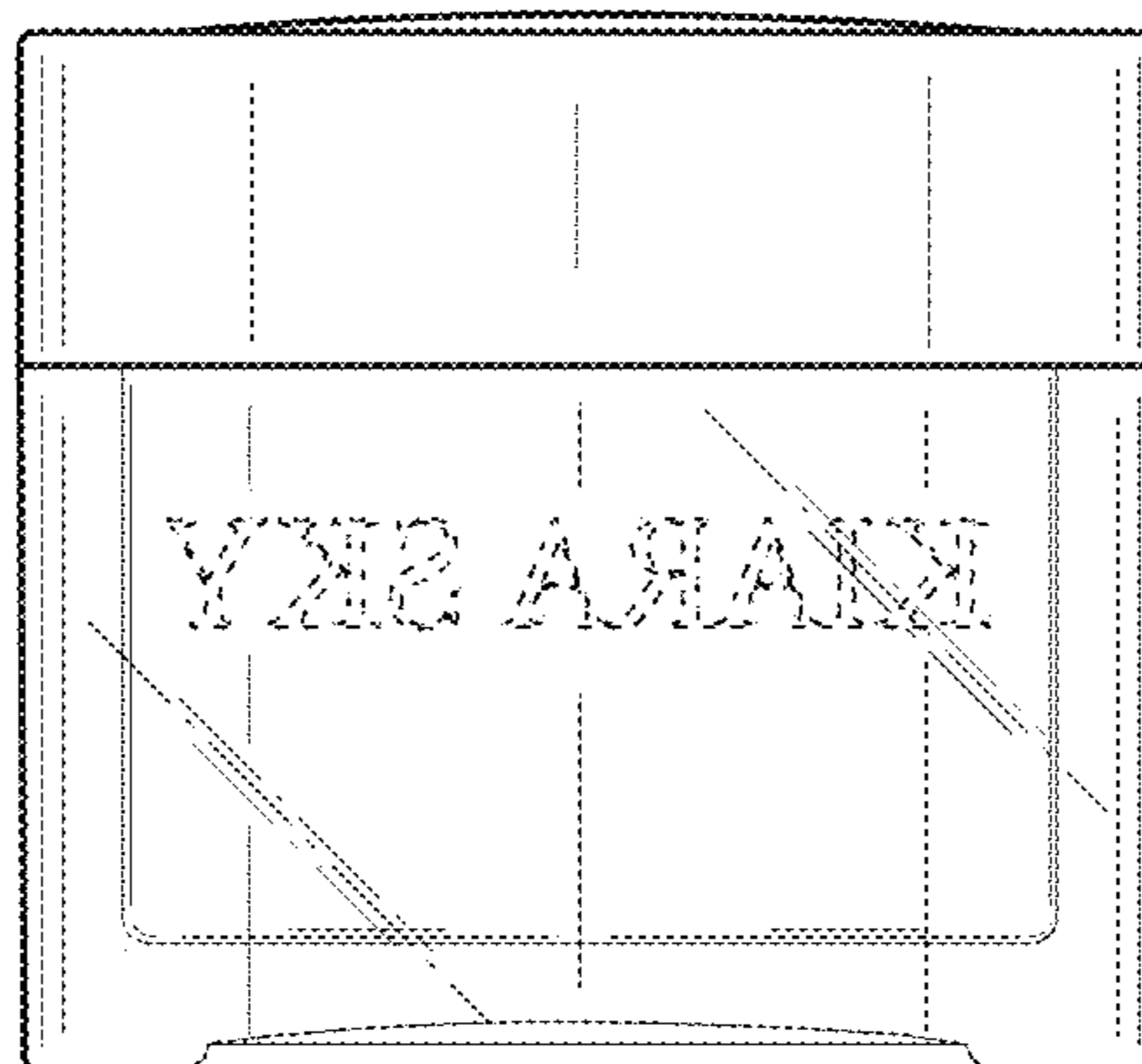


FIG. 3

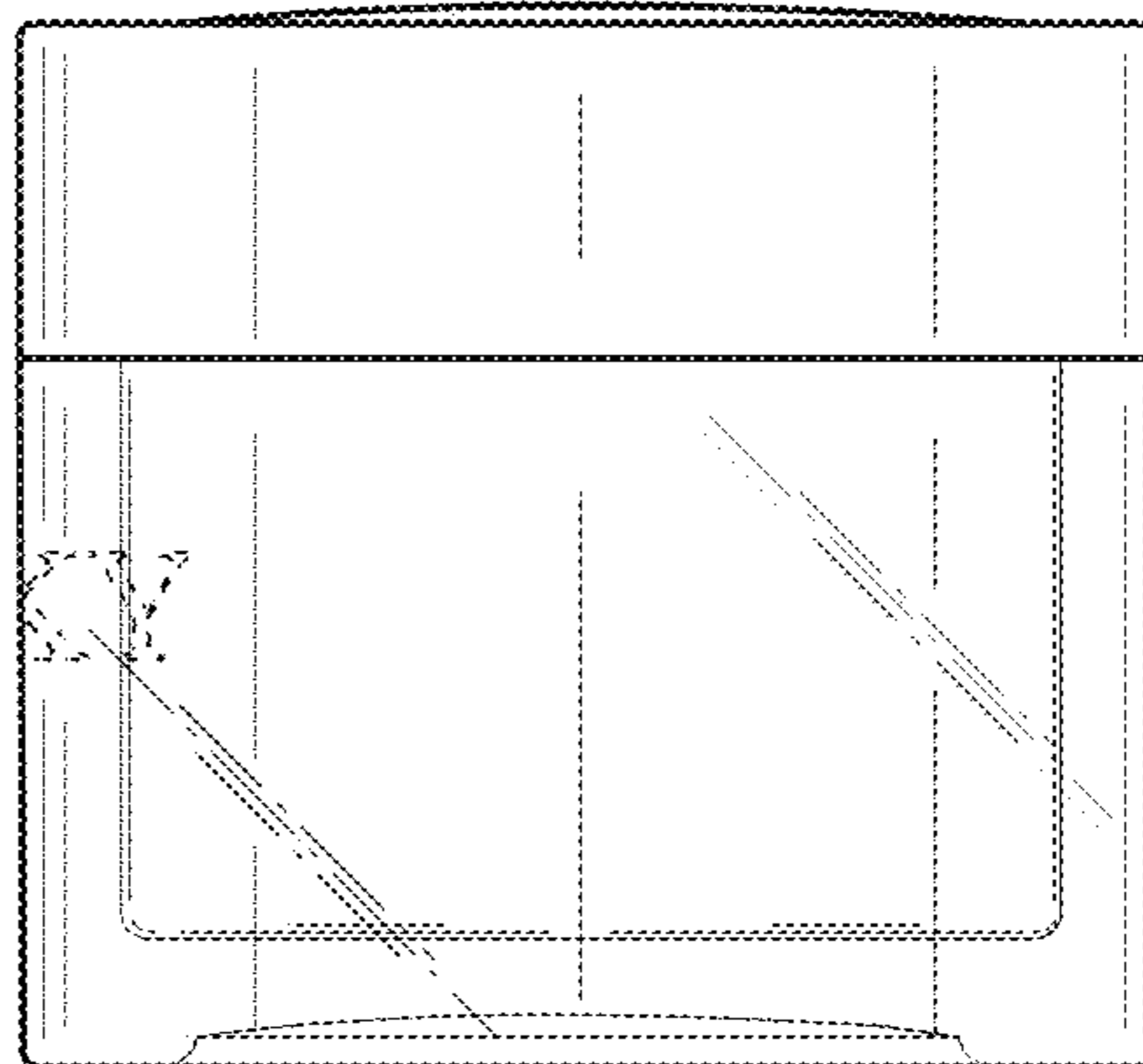


FIG. 4

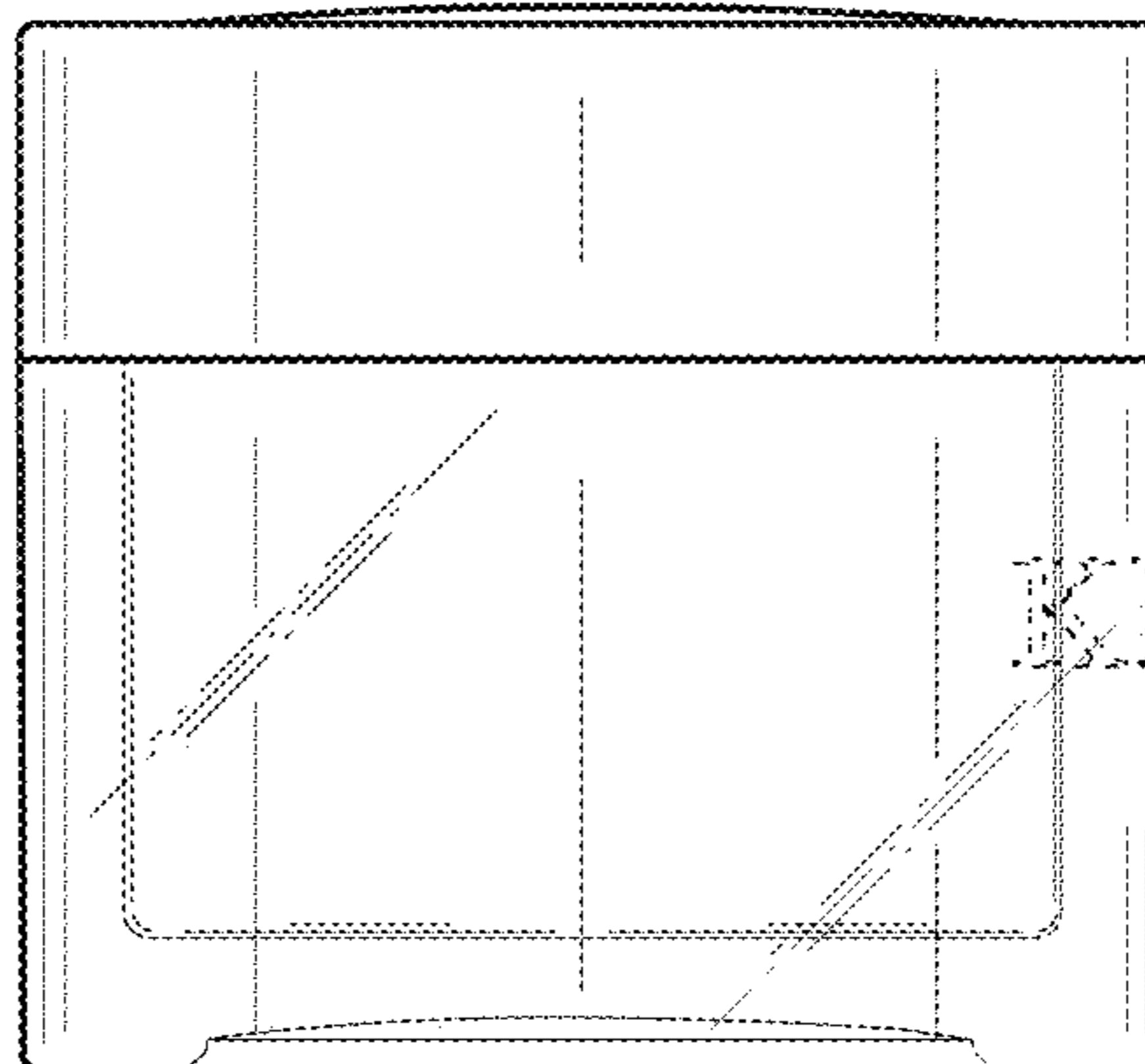


FIG. 5

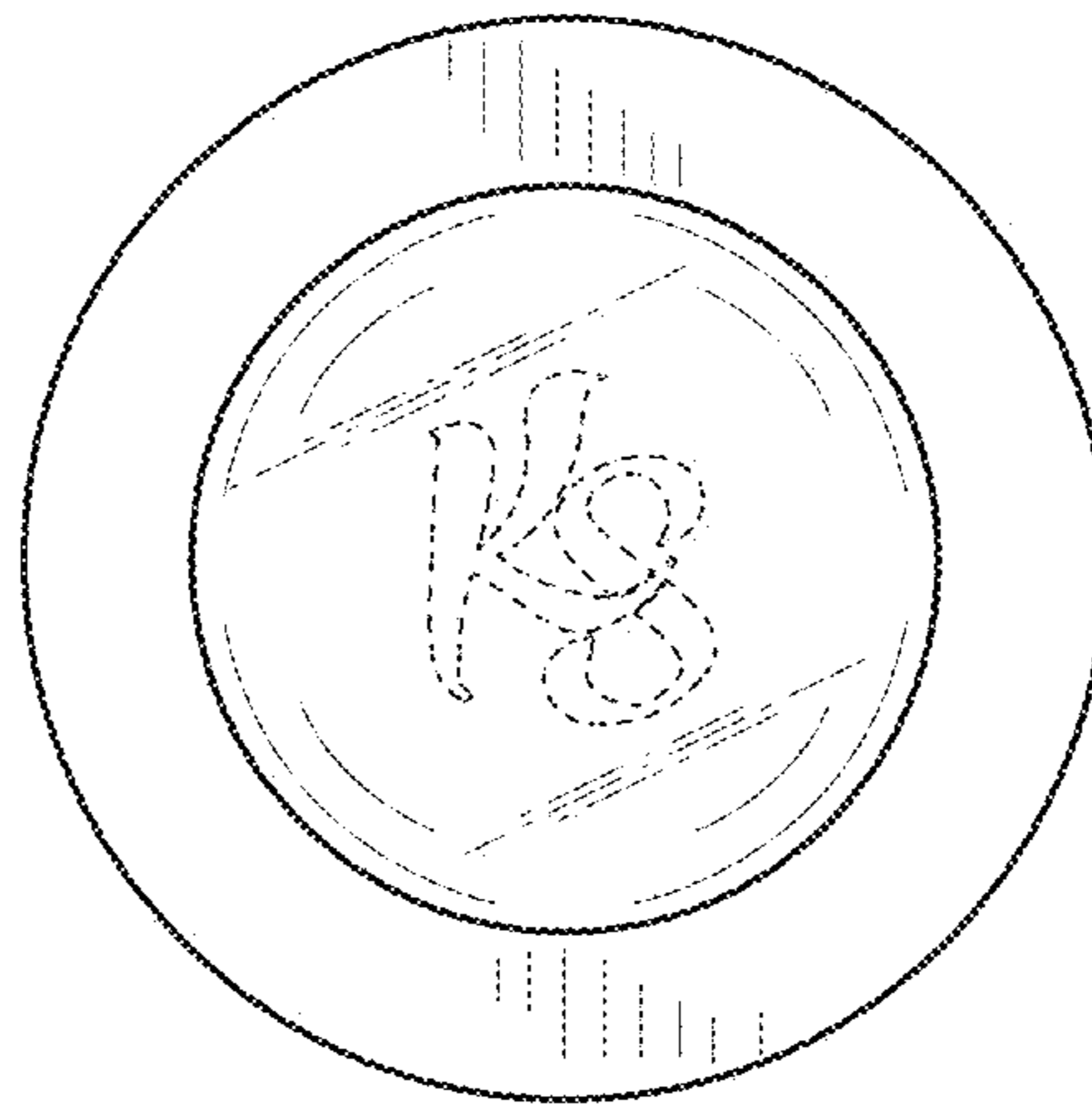


FIG. 6

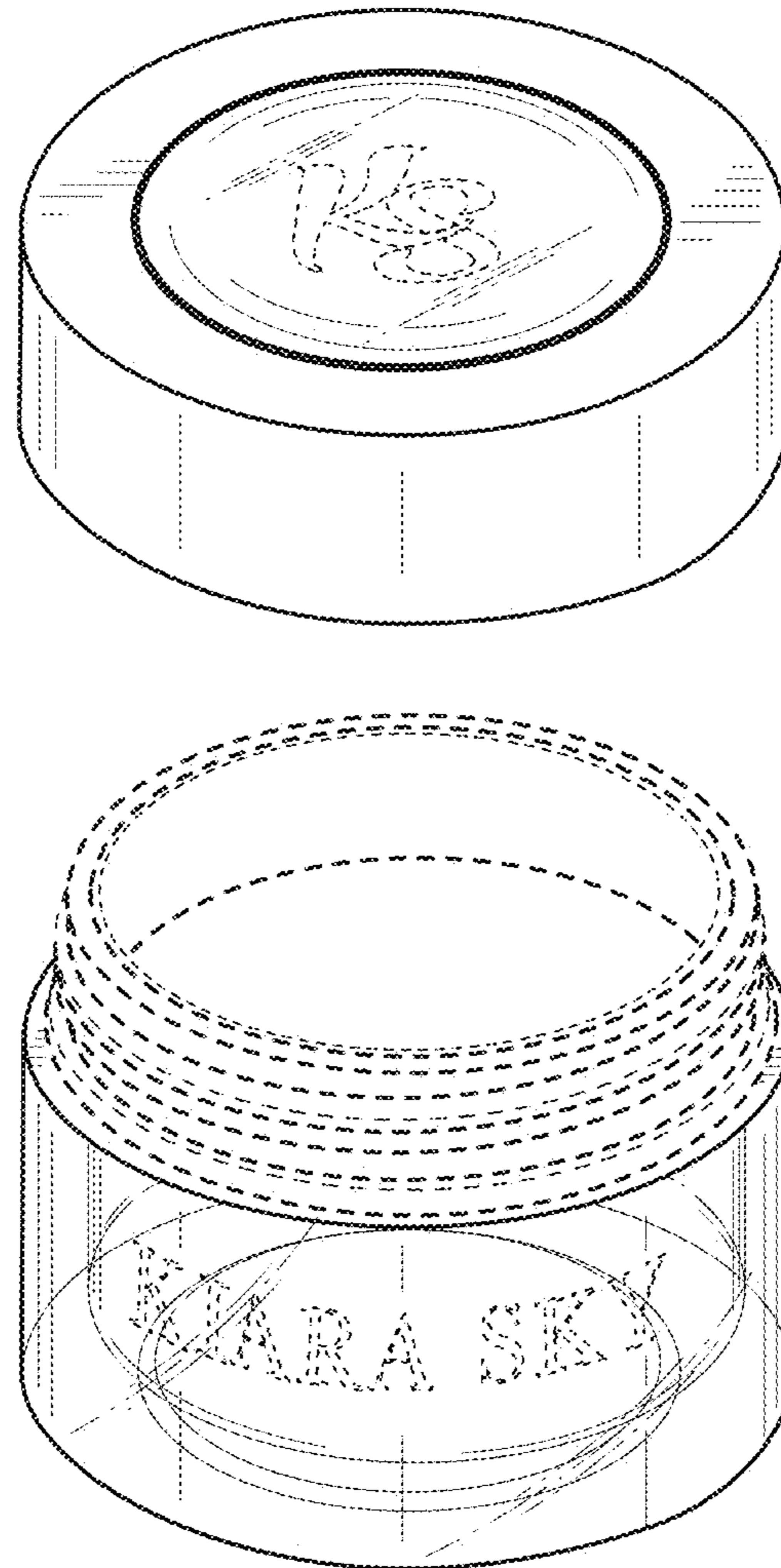


FIG. 7