



US00D913098S

(12) **United States Design Patent**
Cavanaugh et al.

(10) **Patent No.:** **US D913,098 S**

(45) **Date of Patent:** **** Mar. 16, 2021**

(54) **BOTTLE**

(71) Applicant: **Come Ready Foods LLC**, Wexford, PA (US)

(72) Inventors: **Patrick T. Cavanaugh**, Wexford, PA (US); **David Heisner**, York, PA (US)

(73) Assignee: **Come Ready Foods LLC**, Wexford, PA (US)

(**) Term: **15 Years**

(21) Appl. No.: **29/754,515**

(22) Filed: **Oct. 12, 2020**

(51) **LOC (13) Cl.** **09-01**

(52) **U.S. Cl.**
USPC **D9/502**

(58) **Field of Classification Search**
USPC D9/500, 502–504, 516, 530, 537–539, D9/549, 557–558, 715, 719; 215/370–371, 379, 381–383; 220/604, 220/608–609, 660, 662, 669–670, 672, 220/675
CPC B65D 1/00; B65D 1/02; B65D 1/0223; B65D 23/00; B65D 23/102; B65D 2501/00; B65D 2501/0009; B65D 2501/0018; B65D 2501/0036

See application file for complete search history.

(56) **References Cited**

U.S. PATENT DOCUMENTS

2,117,276	A	5/1938	Cortland	
2,620,945	A	12/1952	Becker	
D477,230	S	7/2003	Takaichi	
7,051,890	B2	5/2006	Onoda	
D538,658	S *	3/2007	Horne	D9/502
D545,194	S	6/2007	Goudsblom	
7,296,701	B2	11/2007	Ozawa	
D608,203	S	1/2010	Yourist	

D611,816	S	3/2010	Bangi
D613,166	S	4/2010	Bentley
D613,563	S	4/2010	Burgess
7,832,582	B2	11/2010	Roubal
7,837,049	B2	11/2010	Boukobza
D641,244	S	7/2011	Bysick

(Continued)

FOREIGN PATENT DOCUMENTS

AU	2013270455	5/2016
BR	302019002378-0001	8/2019

(Continued)

OTHER PUBLICATIONS

Igloo 4101 Beverage Cooler, Insulated, 10 Gallons; <https://www.glovalindustrial.com/p/foodservice/catering/beverage/400-series-coolers-4101>, retrieved Mar. 11, 2020, earliest product review Mar. 2018.

(Continued)

Primary Examiner — Dana Meyrow

(74) *Attorney, Agent, or Firm* — Clark Hill PLC; Adam J. Fromm

(57) **CLAIM**

An ornamental design for a bottle, as shown and described.

DESCRIPTION

FIG. 1 is a perspective view of a bottle showing our new design;

FIG. 2 is a front view thereof;

FIG. 3 is left side view thereof;

FIG. 4 is a rear view thereof;

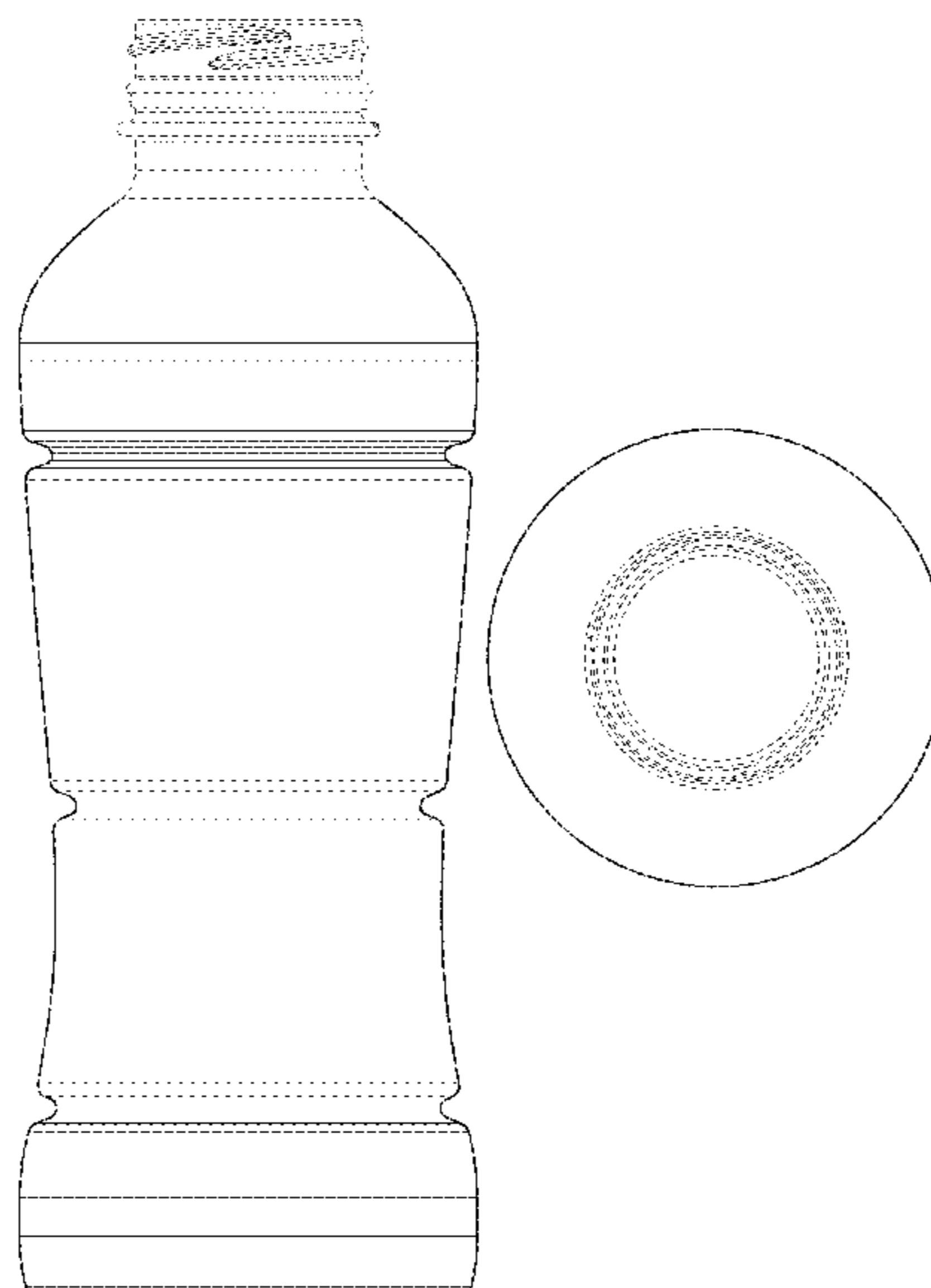
FIG. 5 is a right side view thereof;

FIG. 6 is a top view thereof; and,

FIG. 7 is a bottom view thereof.

The evenly-dashed broken lines in the drawings illustrate the portions of the bottle that form no part of the claimed design.

1 Claim, 6 Drawing Sheets



(56)

References Cited

U.S. PATENT DOCUMENTS

D642,471 S 8/2011 White
 D667,306 S 9/2012 Verea
 D670,171 S * 11/2012 Yourist D9/538
 8,353,415 B2 1/2013 Saito
 D682,700 S * 5/2013 White D9/538
 D689,375 S 9/2013 Garner
 8,596,479 B2 12/2013 Simon
 8,616,395 B2 12/2013 Patcheak
 D705,065 S * 5/2014 Egret D9/502
 D705,071 S * 5/2014 Abend D9/538
 8,870,006 B2 10/2014 Kamineni
 9,126,747 B2 9/2015 Burgess
 D740,663 S 10/2015 Zeboudj
 9,150,320 B2 10/2015 Wurster
 D744,835 S 12/2015 Warner
 D746,685 S 1/2016 Foley
 D746,686 S 1/2016 Yourist
 D746,687 S 1/2016 Yourist
 D746,688 S 1/2016 Yourist
 D755,049 S 5/2016 Clark
 D805,902 S * 12/2017 Warner D9/502
 D805,903 S * 12/2017 Warner D9/502
 D815,948 S 4/2018 McCarney
 9,969,520 B2 5/2018 Gill
 10,005,584 B2 6/2018 Tanaka
 D830,181 S * 10/2018 Druart D9/502
 D845,772 S 4/2019 Hall
 D847,640 S 5/2019 Pritchett, Jr.
 10,322,837 B2 6/2019 Bysick

D868,587 S 12/2019 Dutra
 D871,219 S 12/2019 Mastny
 D874,934 S 2/2020 Yourist
 D878,211 S * 3/2020 Dutra D9/516
 2005/0269284 A1 * 12/2005 Pedmo B65D 1/0223
 2012/0074151 A1 * 3/2012 Gill B65D 1/0223
 2012/0097635 A1 * 4/2012 Yourist B65D 1/0276
 2019/0062026 A1 2/2019 Pritchett, Jr.
 2019/0389616 A1 12/2019 Heisner

FOREIGN PATENT DOCUMENTS

BR 302019002379-0001 8/2019
 BR 302019002380-0001 8/2019
 BR 302019002382-0001 8/2019
 CN 305035472 2/2019
 EM 003474832-0001 11/2016
 MX 318714 3/2014
 MX 326134 12/2014
 MX 330217 5/2015

OTHER PUBLICATIONS

Gatorade Beverage Cooler, 5 gal., Orange; <https://www.zoro.com/gatorade-beverage-cooler-hard-sided-50-gal-49201/G4331756/>, retrieved Mar. 11, 2020.

* cited by examiner

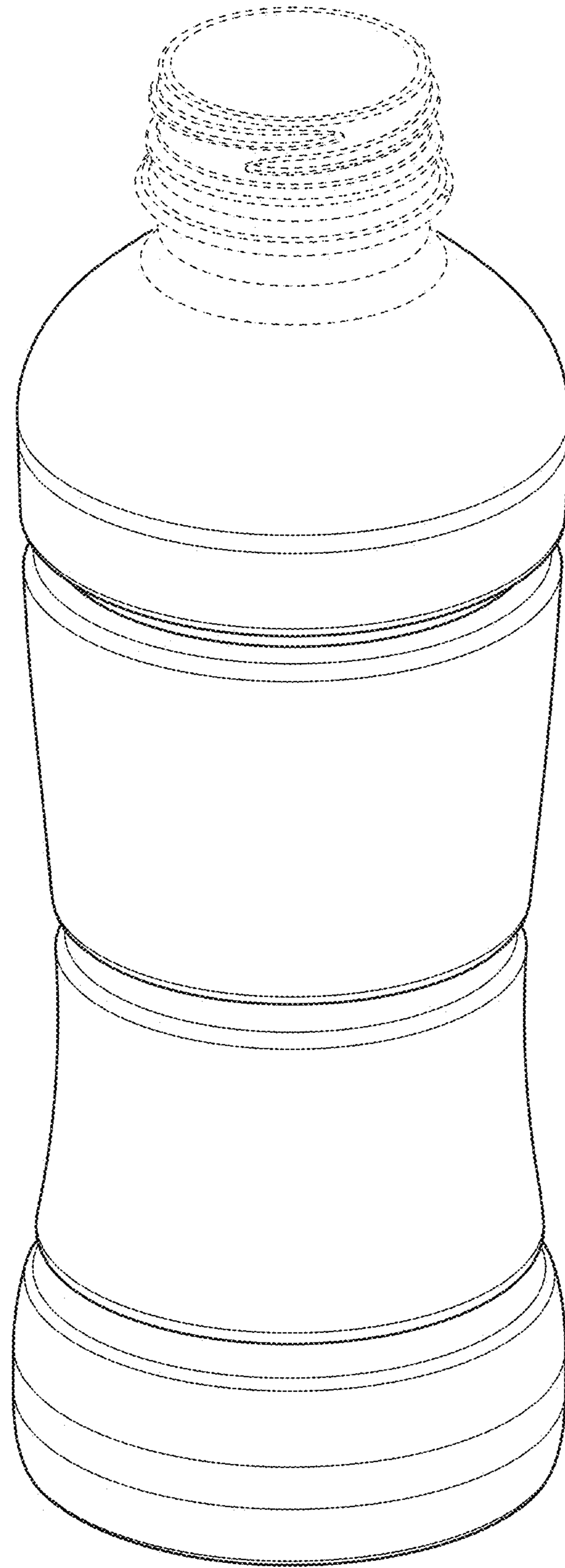


FIG. 1

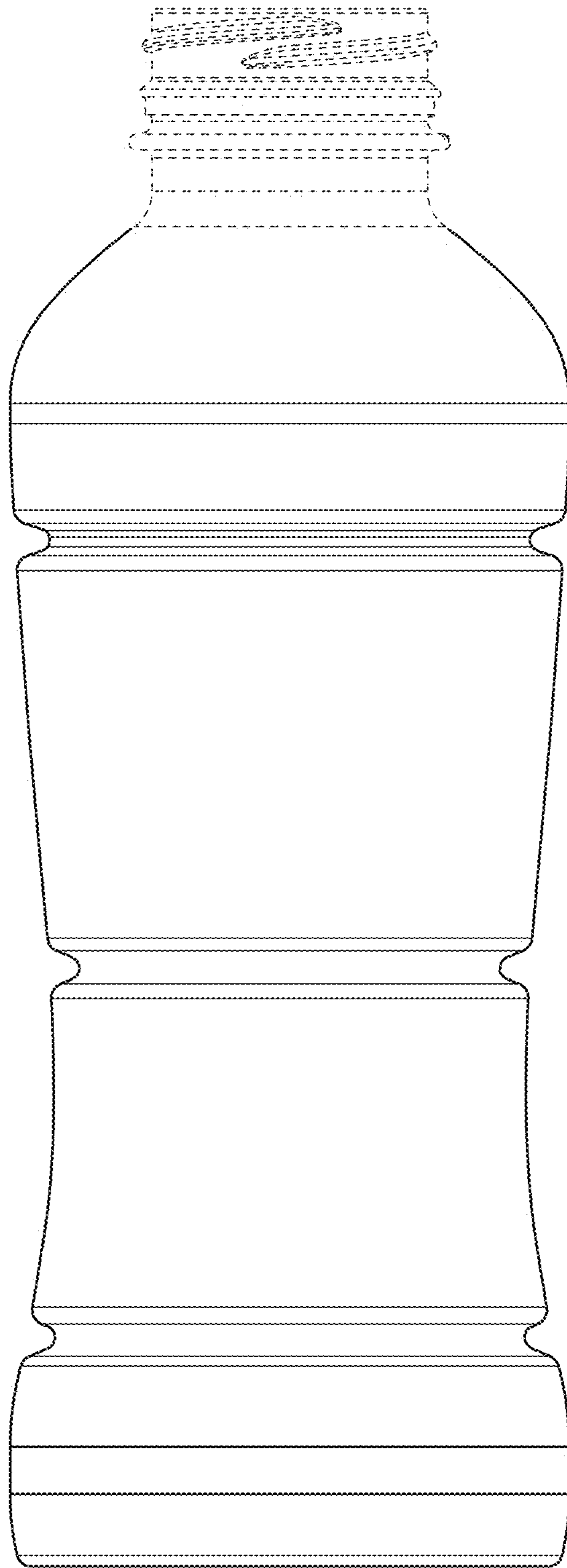


FIG. 2

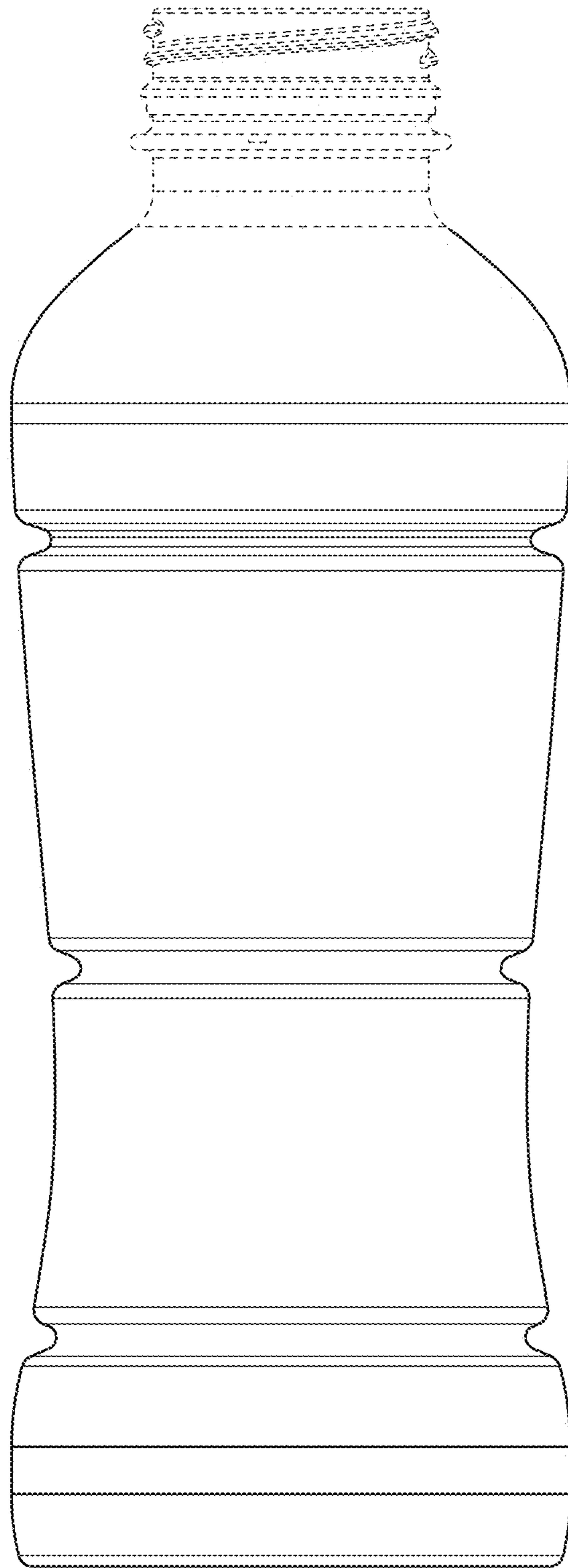


FIG. 3

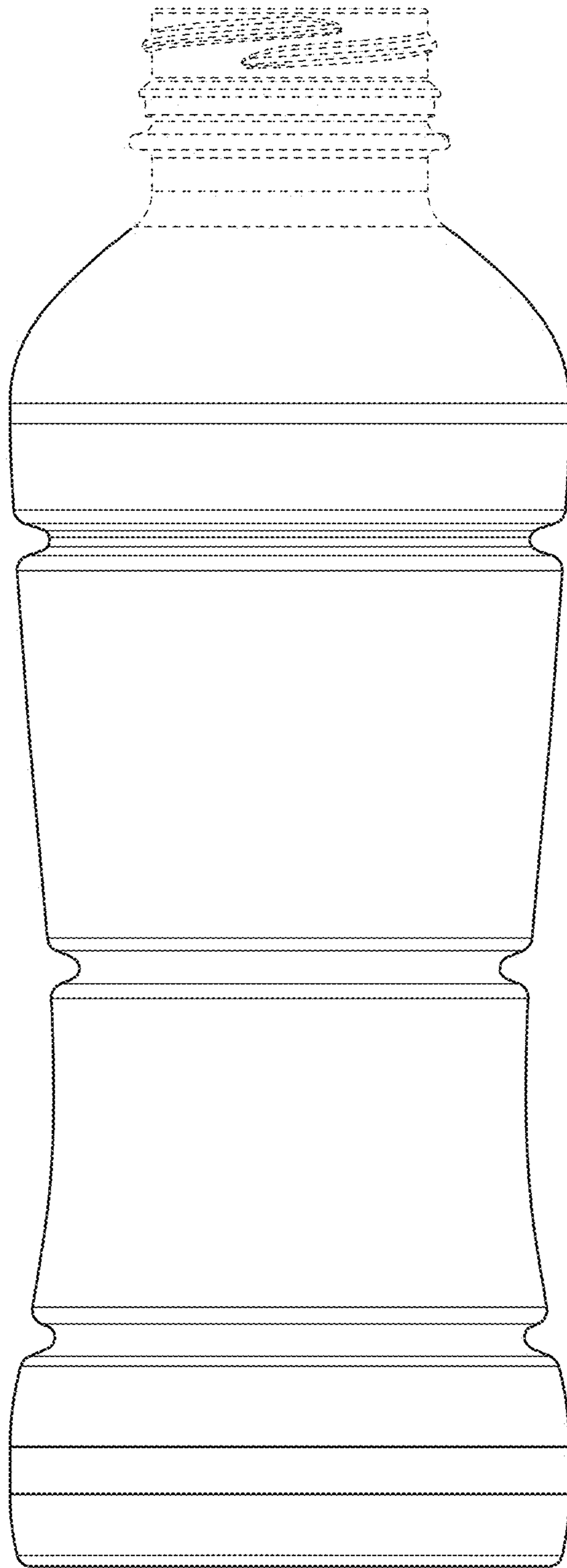


FIG. 4

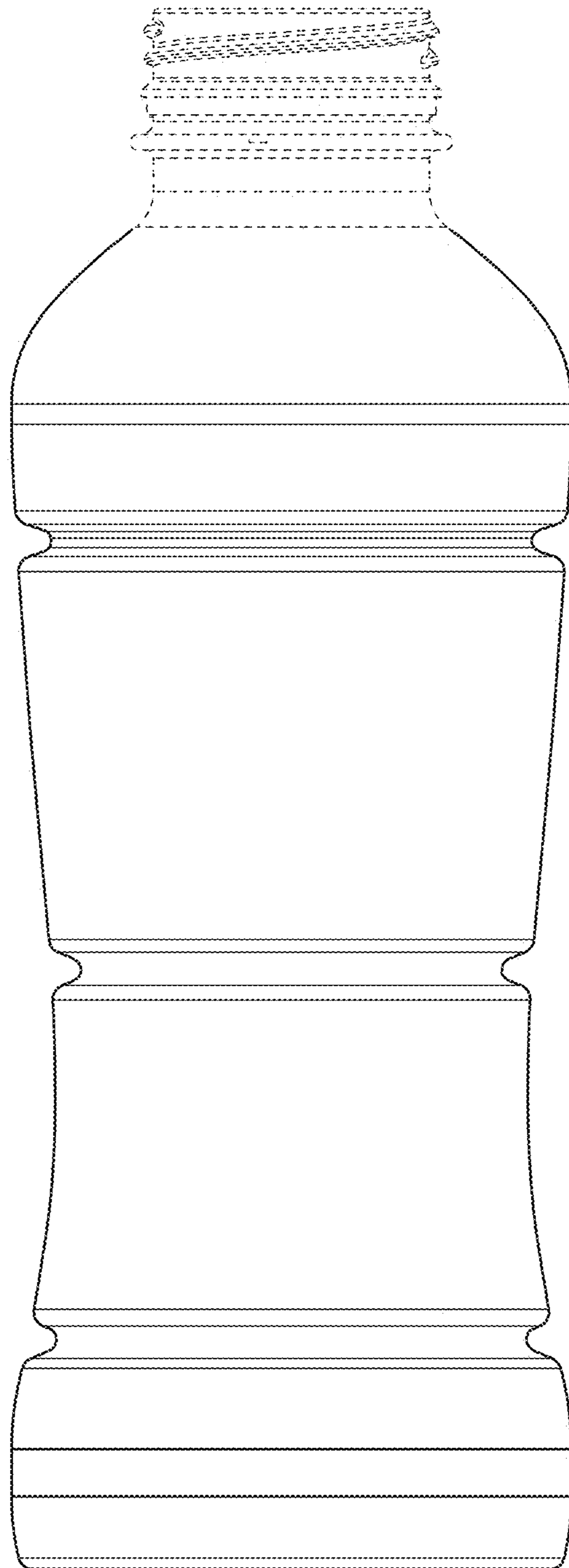


FIG. 5

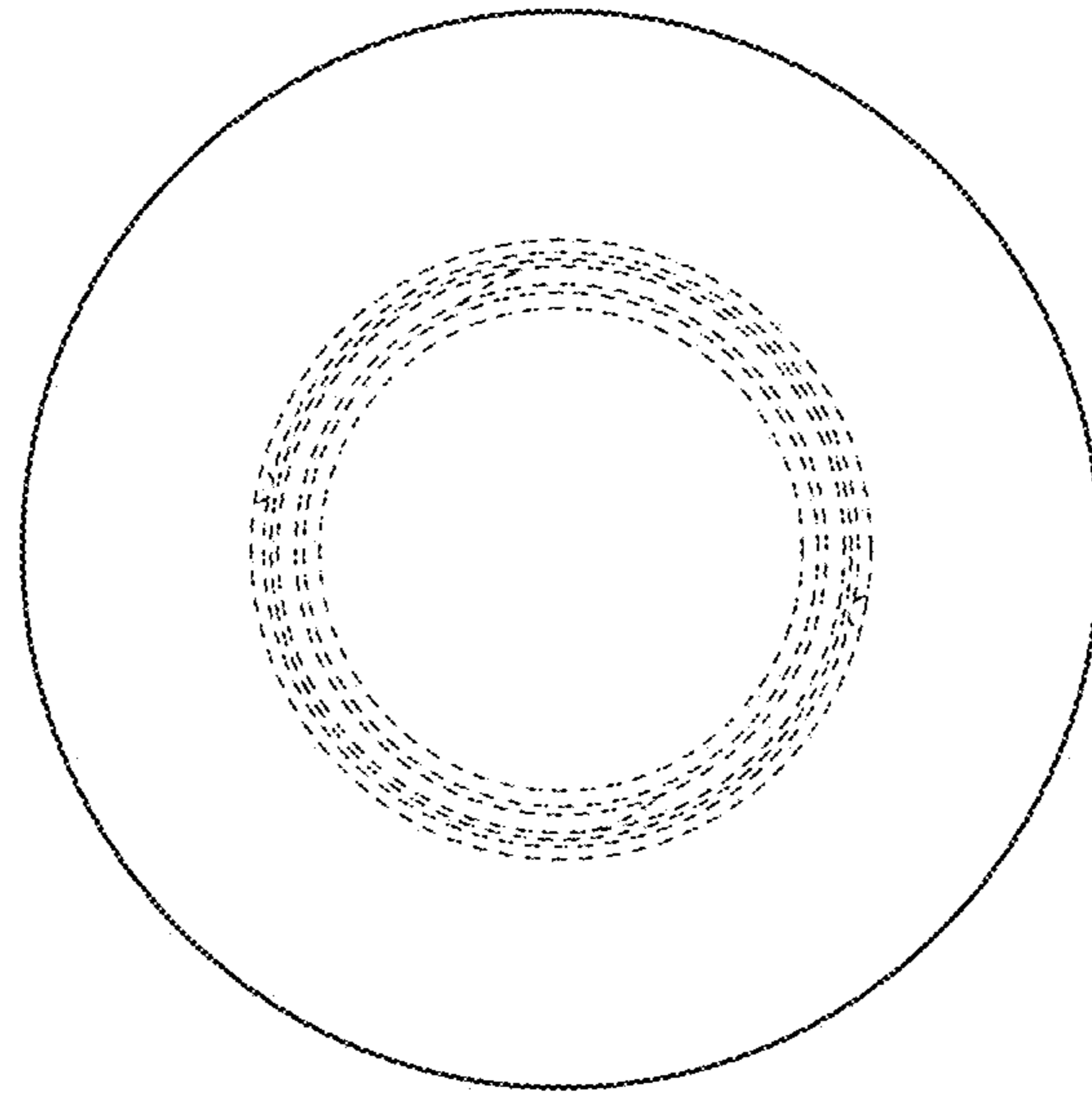


FIG. 6

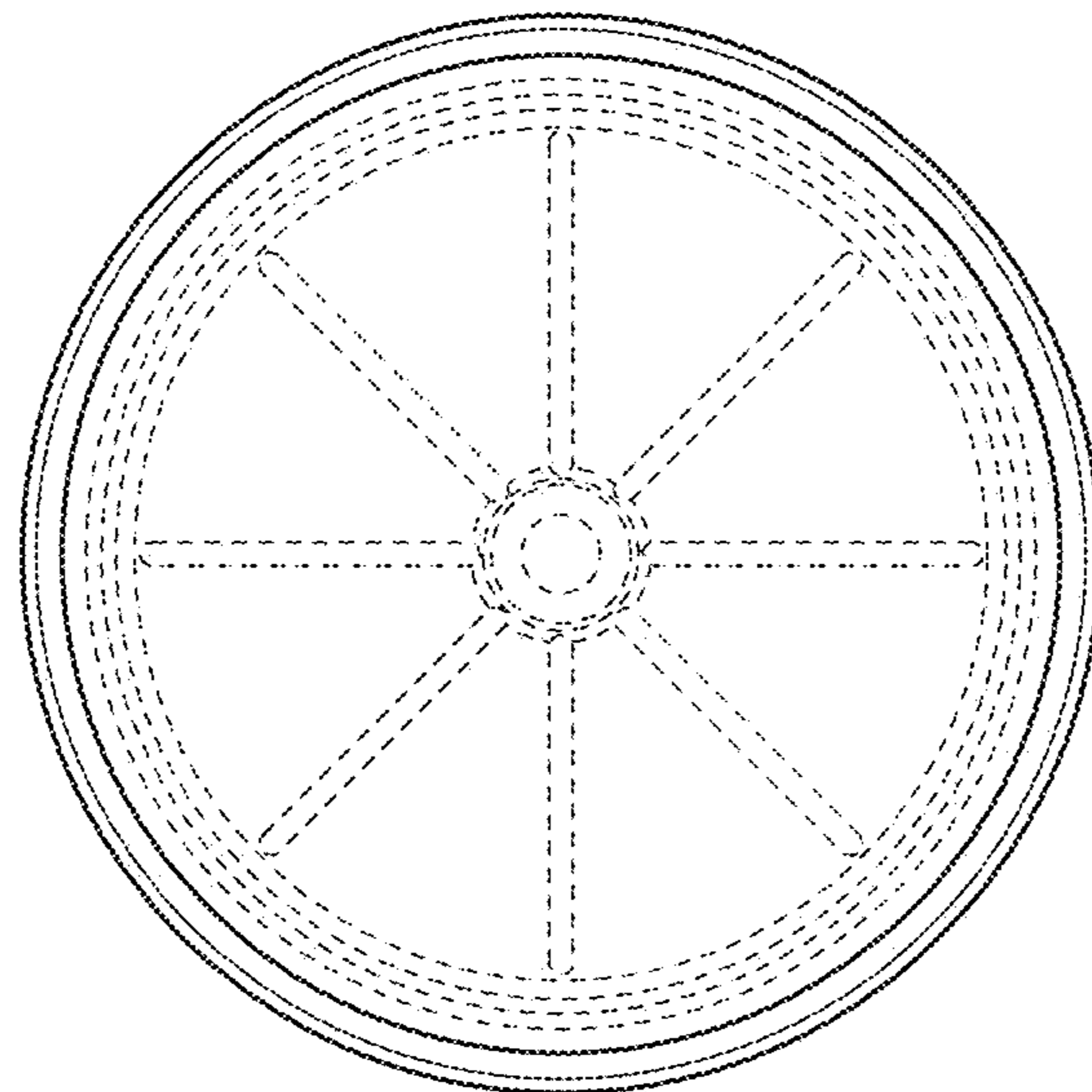


FIG. 7