



US00D913096S

(12) **United States Design Patent**  
**Kobayashi et al.**

(10) **Patent No.:** **US D913,096 S**  
(45) **Date of Patent:** **\*\* Mar. 16, 2021**

(54) **PEDESTAL FOR CONTAINER**

A45F 3/16; A47G 19/2266; A47G  
19/2272; A61J 1/16; F16B 47/00

(71) Applicant: **AICELLO CORPORATION**,  
Toyohashi (JP)

See application file for complete search history.

(72) Inventors: **Masayoshi Kobayashi**, Toyohashi (JP);  
**Yoshimichi Kutsuna**, Toyohashi (JP)

(56) **References Cited**

U.S. PATENT DOCUMENTS

(73) Assignee: **AICELLO CORPORATION**,  
Toyohashi (JP)

4,438,856 A \* 3/1984 Chang ..... B65D 23/001  
215/10  
D295,963 S \* 5/1988 Conlon ..... D24/227  
D307,721 S \* 5/1990 Barth ..... D9/455

(\*\*) Term: **15 Years**

(Continued)

(21) Appl. No.: **29/679,666**

FOREIGN PATENT DOCUMENTS

(22) Filed: **Feb. 8, 2019**

JP 1221748 S 11/2004  
JP 1376896 S 12/2009

(30) **Foreign Application Priority Data**

(Continued)

Aug. 10, 2018 (JP) ..... 2018-017720

(51) **LOC (13) Cl.** ..... **09-07**

(52) **U.S. Cl.**  
USPC ..... **D9/455**

(58) **Field of Classification Search**

USPC ..... D3/10, 17, 29, 200, 202, 203.1, 207;  
D7/387, 391, 392, 392.1, 393, 396.1,  
D7/396.2, 398, 407, 900; D8/300, 303,  
D8/321; D9/434, 435, 436, 444, 445,  
D9/454, 455, 456, 548, 501, 516, 517,  
D9/520, 767; D12/197, 200, 212;  
D19/96, 162, 163, 187, 194; D23/259,  
D23/260, 261; D24/111, 112, 127, 130,  
D24/194, 196, 197, 199, 224; D28/76,  
D28/84; D11/143, 145, 146, 152-154  
CPC ..... B65D 75/5883; B65D 41/3414;  
B65D 41/00; B65D 41/3447; B65D  
2213/00; B65D 85/12; B65D 23/00;  
B65D 23/001; B65D 23/08; B65D  
23/0885; B65D 81/00; B65D 2501/00;  
B65D 2501/0009; A45D 2200/05; A45D  
2200/051; A45D 34/00; A45D 34/02;  
A45D 40/00; A45D 40/40; A45D  
40/0068; A45D 40/0073; A45D 2034/007;

OTHER PUBLICATIONS

A Kodama, Tamakan catalog by Kodama Plastics Co., Ltd., pub-  
lished Apr. 2010, <http://www.d-kjk.co.jp/catalog/pdf/tamakan.pdf>, 6  
pages.

*Primary Examiner* — Catherine S Posthauer  
(74) *Attorney, Agent, or Firm* — Collard & Roe, P.C.

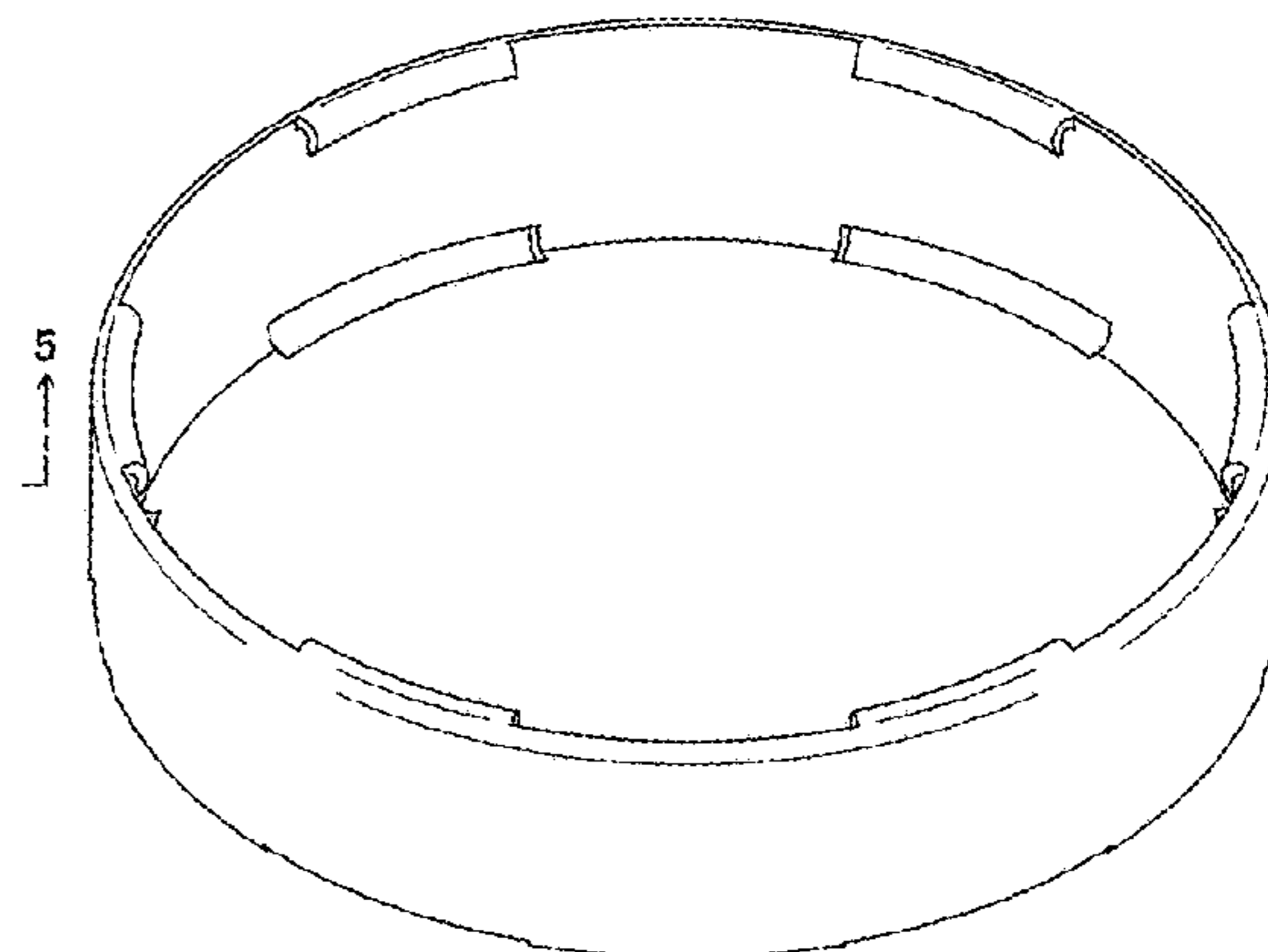
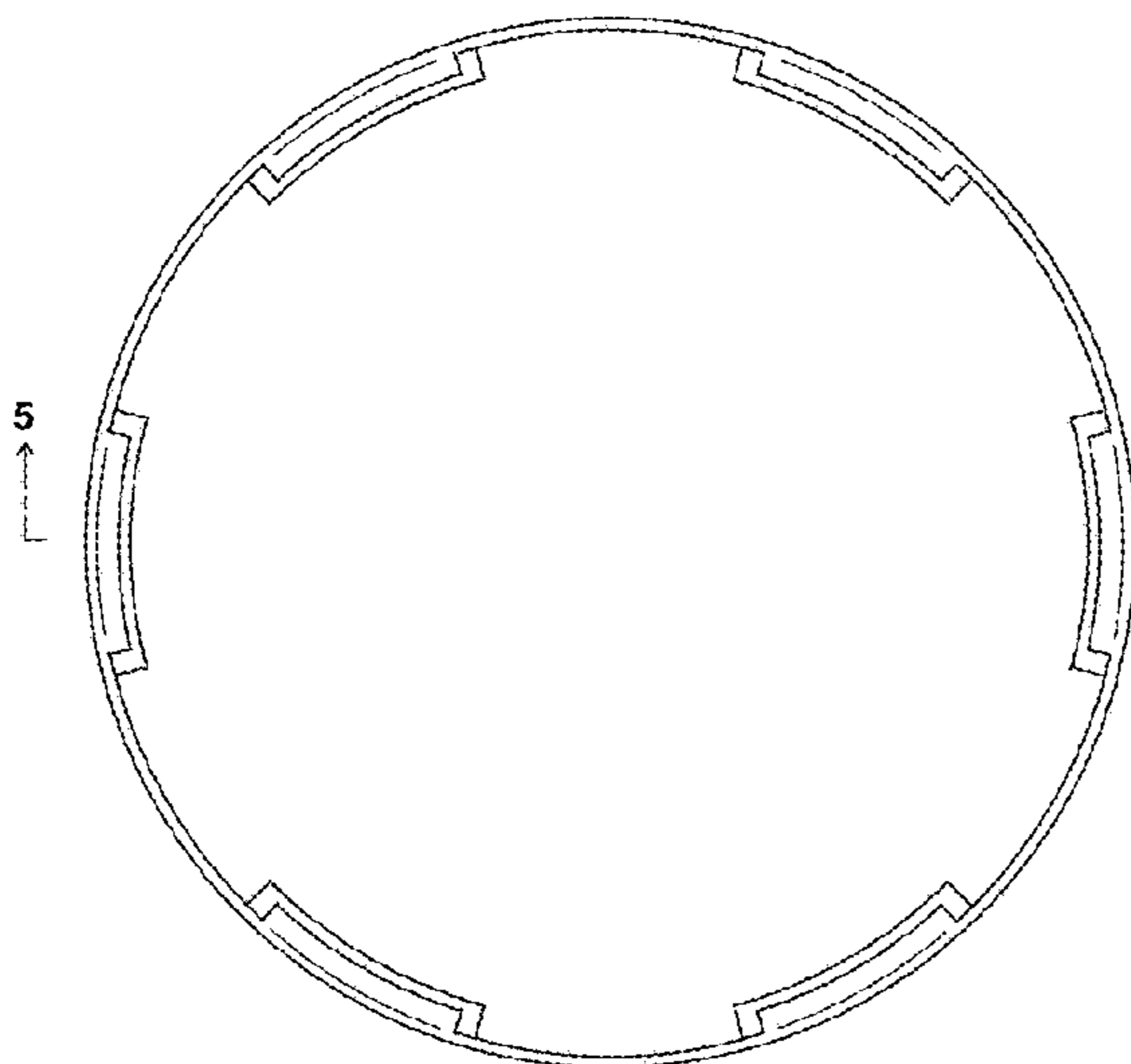
(57) **CLAIM**

The ornamental design for pedestal for container, as shown  
and described.

**DESCRIPTION**

FIG. 1 is a front view of a pedestal for container, showing  
our new design;  
FIG. 2 is a right-side view thereof;  
FIG. 3 is a top view thereof;  
FIG. 4 is a bottom view thereof;  
FIG. 5 is a cross-sectional view thereof, taken along line 5-5  
in FIG. 3; and,  
FIG. 6 is a perspective view thereof.

**1 Claim, 6 Drawing Sheets**



(56)

References Cited

U.S. PATENT DOCUMENTS

5,465,891 A \* 11/1995 Bridges ..... A47G 19/06  
 220/636  
 D397,062 S \* 8/1998 Hollington ..... D11/164  
 D400,406 S \* 11/1998 House ..... D7/624.1  
 D472,143 S \* 3/2003 Martin ..... D9/434  
 D474,965 S \* 5/2003 Westphal ..... D9/424  
 D502,052 S \* 2/2005 Meade ..... D7/388  
 D511,096 S \* 11/2005 Demaggio ..... D9/455  
 D522,368 S \* 6/2006 Darr ..... D9/516  
 D528,417 S \* 9/2006 Matsuda ..... D9/439  
 D539,078 S \* 3/2007 Anderson ..... D7/375  
 D573,928 S \* 7/2008 Ratcliffe ..... D12/197  
 D579,514 S \* 10/2008 Kelps ..... D23/206  
 D600,120 S \* 9/2009 Kawamura ..... D9/452  
 D604,613 S \* 11/2009 Garboni ..... D9/447  
 D606,410 S \* 12/2009 Kissinger ..... D9/516  
 D609,564 S \* 2/2010 Paine ..... D9/434  
 D611,885 S \* 3/2010 Dringenberg ..... D12/197  
 D627,652 S \* 11/2010 Dorn ..... D9/516  
 D629,120 S \* 12/2010 Lafond ..... D24/224  
 D637,903 S \* 5/2011 Ghiotti ..... D9/428  
 7,967,225 B1 \* 6/2011 Schulz ..... E03C 1/266  
 241/46.013  
 D650,677 S \* 12/2011 Wurster ..... D9/516  
 D654,152 S \* 2/2012 Schulz ..... D23/260

D683,497 S \* 5/2013 Ghiotti ..... D9/428  
 D704,312 S \* 5/2014 Kuo ..... D23/259  
 D716,653 S \* 11/2014 Balembois ..... D9/435  
 D776,296 S \* 1/2017 Wainwright ..... D24/224  
 D776,536 S \* 1/2017 Emoff ..... D9/455  
 D786,652 S \* 5/2017 Lira-Nunez ..... D8/321  
 D793,858 S \* 8/2017 Buck ..... D9/428  
 D813,355 S \* 3/2018 Weatherby ..... D23/259  
 D821,877 S \* 7/2018 Harris ..... D9/516  
 D829,065 S \* 9/2018 Marantis ..... D7/700  
 D846,382 S \* 4/2019 Prater ..... D9/434  
 D852,628 S \* 7/2019 Zerebny ..... D9/455  
 D871,177 S \* 12/2019 Pentland ..... D8/45  
 D872,859 S \* 1/2020 Krebs ..... D24/127  
 D885,908 S \* 6/2020 Dycus ..... D9/455  
 2016/0106149 A1 \* 4/2016 Potter ..... B65B 5/06  
 206/265  
 2017/0231869 A1 \* 8/2017 Zerebny ..... A61J 1/16  
 248/206.2  
 2017/0275075 A1 \* 9/2017 Bamonte ..... B65D 21/0219  
 2019/0375543 A1 \* 12/2019 Qiu ..... B65D 25/24

FOREIGN PATENT DOCUMENTS

JP 1502759 S 7/2014  
 JP 1554921 S 7/2016  
 JP 1592045 S 11/2017

\* cited by examiner

FIG. 1

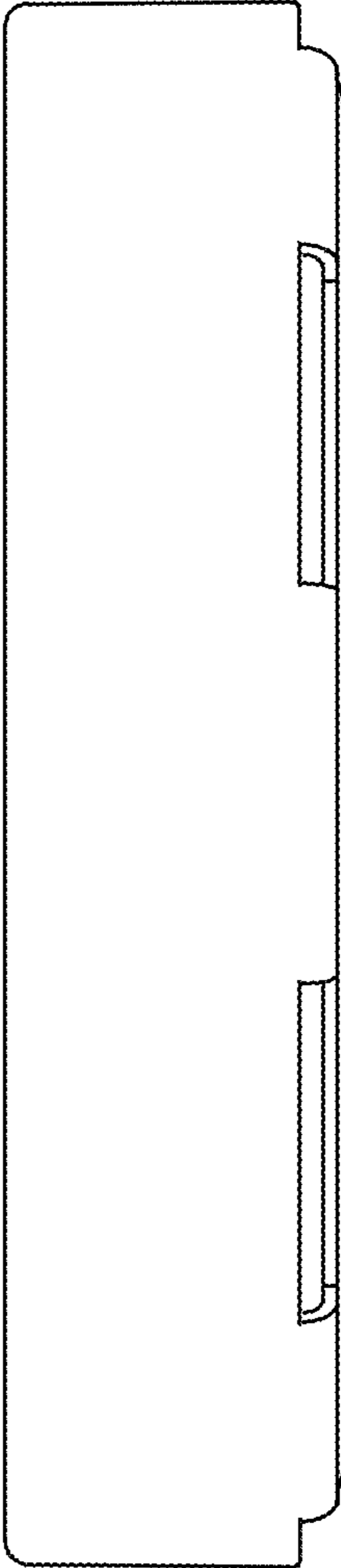


FIG. 2

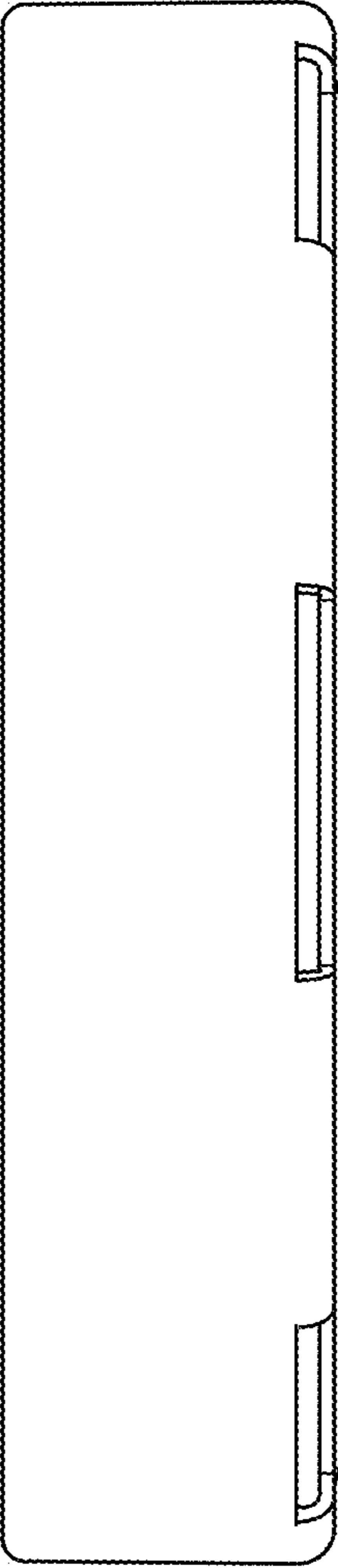


FIG. 3

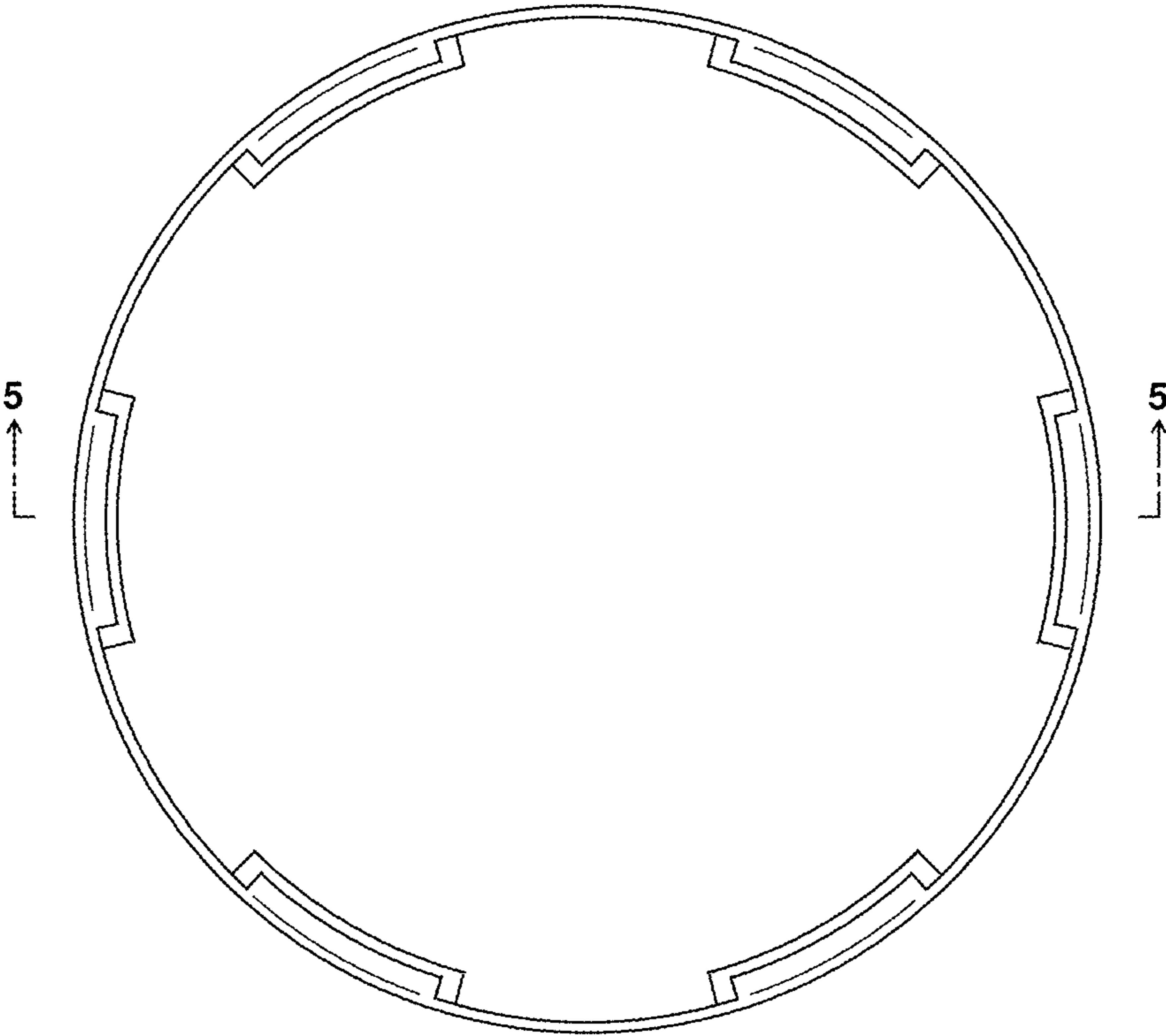


FIG. 4

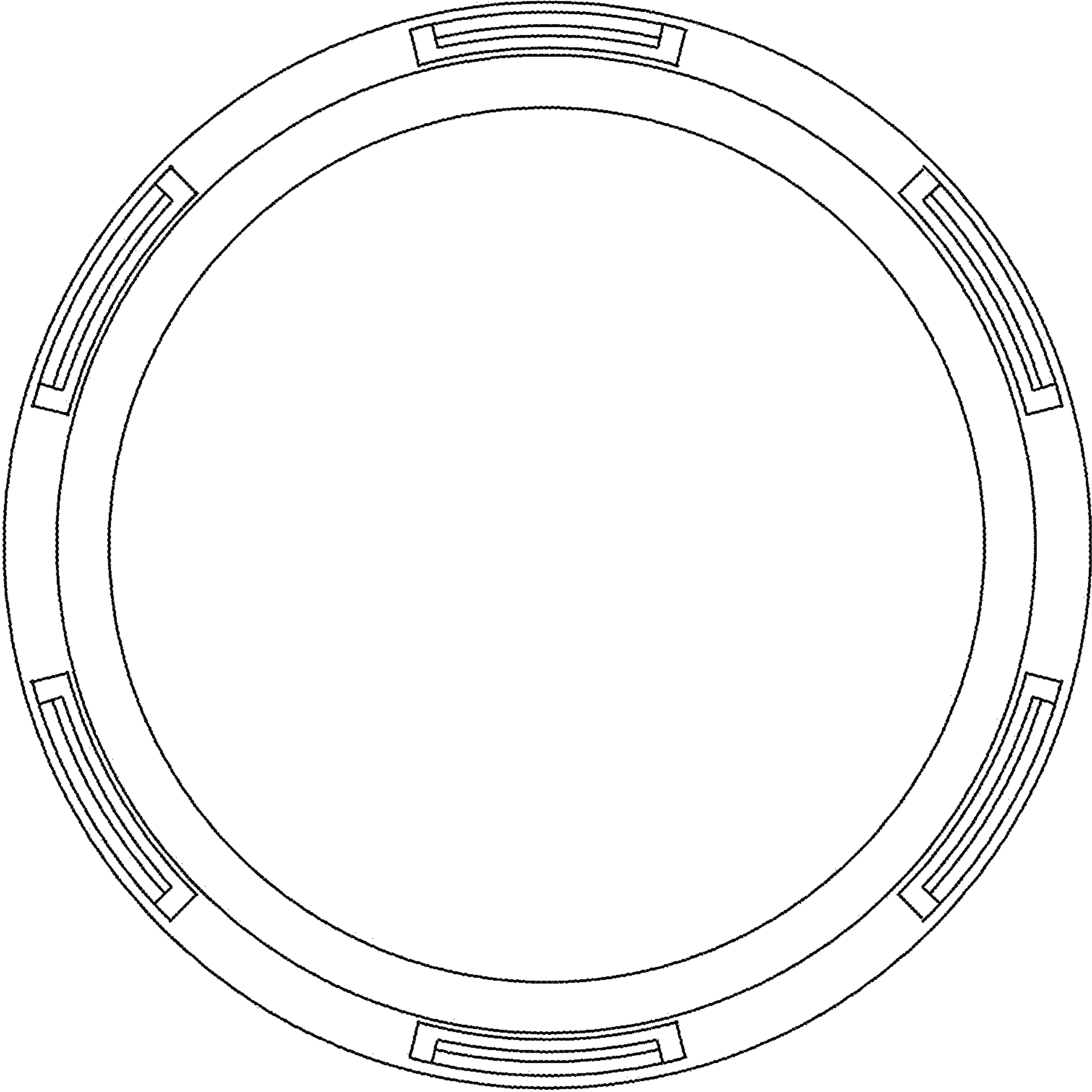




FIG. 5

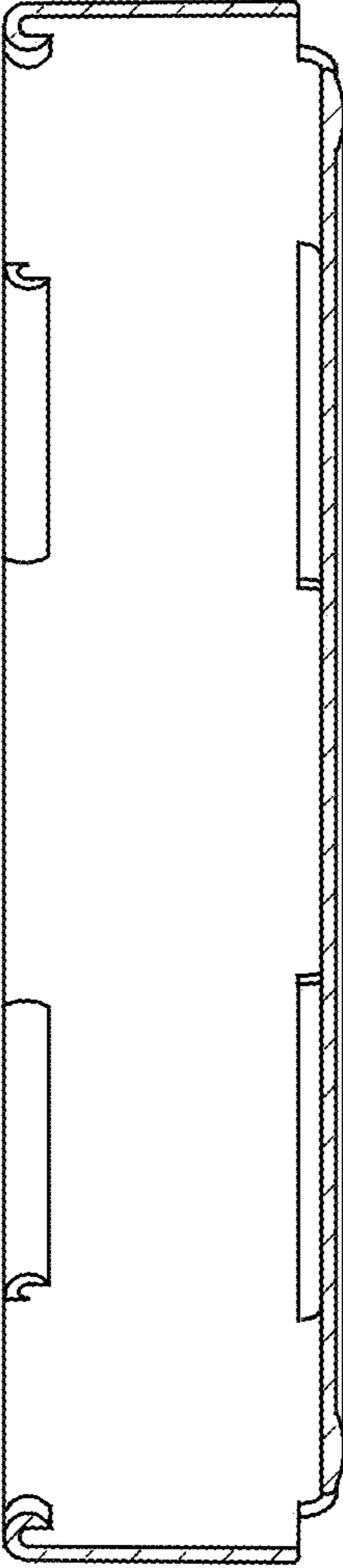


FIG. 6

