



US00D913095S

(12) **United States Design Patent**
Kobayashi et al.

(10) **Patent No.:** **US D913,095 S**
(45) **Date of Patent:** **** Mar. 16, 2021**

(54) **PEDESTAL FOR CONTAINER**

A45D 40/0068; A45D 40/0073; A45D
2034/007; A61J 1/16; A45F

(71) Applicant: **AICELLO CORPORATION**,
Toyohashi (JP)

(Continued)

(72) Inventors: **Masayoshi Kobayashi**, Toyohashi (JP);
Yasuyuki Ota, Toyohashi (JP);
Yoshimichi Kutsuna, Toyohashi (JP)

(56)

References Cited

U.S. PATENT DOCUMENTS

4,438,856 A * 3/1984 Chang B65D 23/001
215/10
D295,963 S * 5/1988 Conlon D24/227
D307,721 S * 5/1990 Barth D9/455

(Continued)

(**) Term: **15 Years**

FOREIGN PATENT DOCUMENTS

(21) Appl. No.: **29/679,646**

JP 1221748 S 11/2004
JP 1376896 S 12/2009

(22) Filed: **Feb. 8, 2019**

(Continued)

(30) **Foreign Application Priority Data**

Aug. 10, 2018 (JP) 2018-017715

OTHER PUBLICATIONS

(51) **LOC (13) Cl.** **09-07**

A Kodama, Tamakan catalog by Kodama Plastics Co., Ltd., published Apr. 2010, <http://www.d-kjk.co.jp/catalog/pdf/tamakan.pdf>, 6 pages.

(52) **U.S. Cl.**

USPC **D9/455**

Primary Examiner — Catherine S Posthauer

(74) *Attorney, Agent, or Firm* — Collard & Roe, P.C.

(58) **Field of Classification Search**

USPC D3/10, 17, 29, 200, 202, 203.1, 207;
D7/387, 391, 392, 392.1, 393, 396.1,
D7/396.2, 398, 900; D8/300, 303, 321;
D9/434, 435, 436, 444, 445, 454, 455,
D9/456, 501, 516, 517, 520, 548, 767;
D12/197, 200, 212; D19/96, 162, 163,
D19/187, 194; D23/259, 260, 261;
D24/111, 112, 127, 130, 194, 196, 197,
D24/199, 224; D28/76, 84; D11/143,
D11/145, 146, 152, 153, 154

(57) **CLAIM**

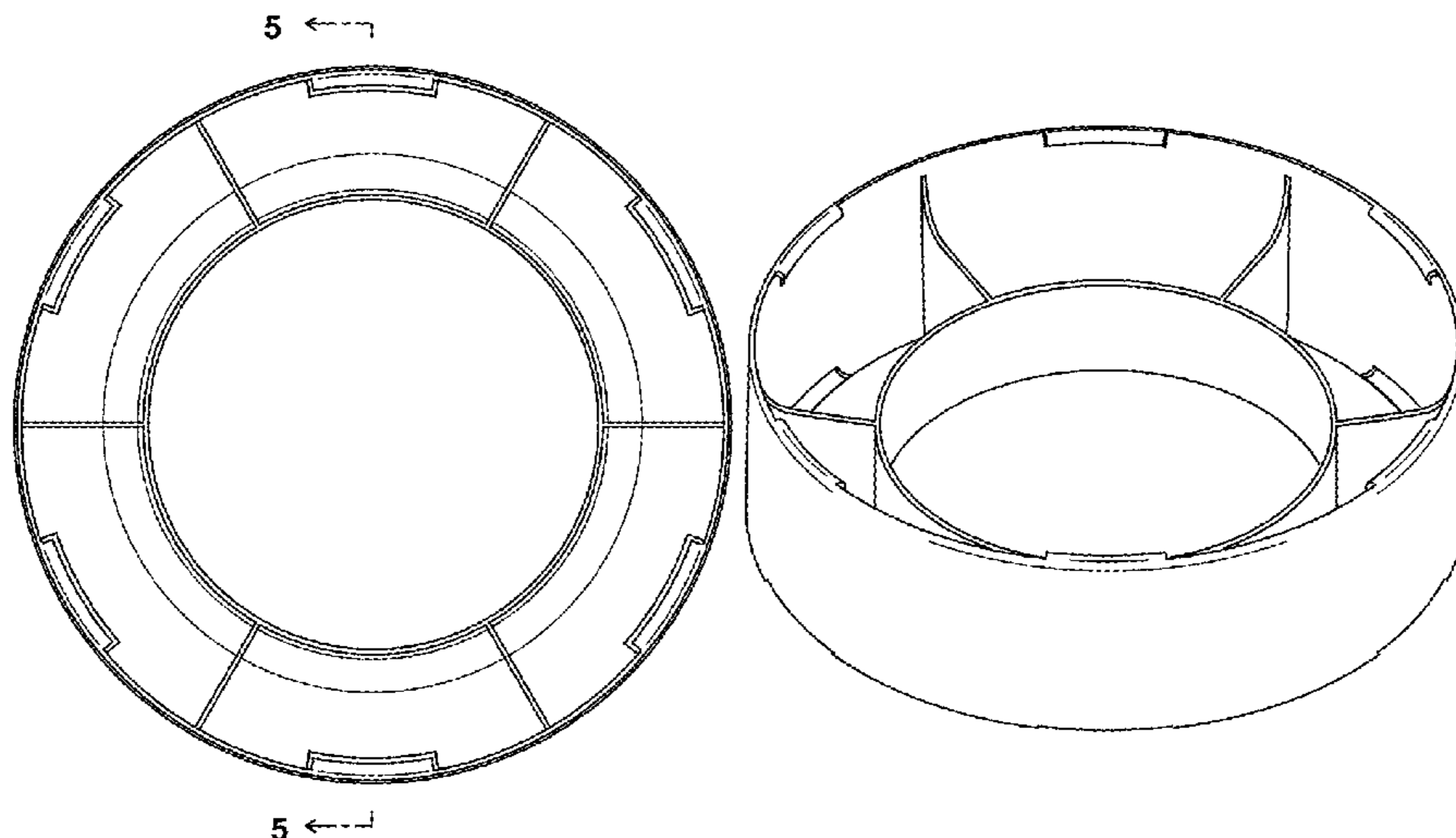
The ornamental design for a pedestal for container, as shown and described.

CPC B65D 75/5883; B65D 41/3414; B65D
41/00; B65D 41/3447; B65D 2101/0023;
B65D 2101/0046; B65D 2213/00; B65D
85/12; B65D 23/065; B65D 47/066;
B65D 23/00; B65D 23/001; B65D 23/08;
B65D 23/0885; B65D 81/00; B65D
2501/00; B65D 2501/0009; A45D
2200/05; A45D 2200/051; A45D 34/00;
A45D 34/02; A45D 40/00; A45D 40/40;

DESCRIPTION

FIG. 1 is a front view of a pedestal for container, showing our new design;
FIG. 2 is a right side view thereof;
FIG. 3 is a top view thereof;
FIG. 4 is a bottom view thereof;
FIG. 5 is a cross-sectional view thereof taken along line 5-5 in FIG. 3; and,
FIG. 6 is a perspective view thereof.

1 Claim, 6 Drawing Sheets



(58) **Field of Classification Search**
 CPC .. 3/16; A47G 19/2266; A47G 19/2272; B64C
 31/06; D05B 23/00; F16B 47/00
 See application file for complete search history.

(56) **References Cited**

U.S. PATENT DOCUMENTS

5,465,891 A * 11/1995 Bridges A47G 19/06
 220/636
 D397,062 S * 8/1998 Hollington D11/164
 D400,406 S * 11/1998 House D7/624.1
 D472,143 S * 3/2003 Martin D9/434
 D474,965 S * 5/2003 Westphal D9/424
 D502,052 S * 2/2005 Meade D7/388
 D511,096 S * 11/2005 Demaggio D9/455
 D522,368 S * 6/2006 Darr D9/516
 D528,417 S * 9/2006 Matsuda D9/439
 D539,078 S * 3/2007 Anderson D7/375
 D573,928 S * 7/2008 Ratcliffe D12/197
 D579,514 S * 10/2008 Kelps D23/206
 D600,120 S * 9/2009 Kawamura D9/452
 D604,613 S * 11/2009 Garboni D9/447
 D606,410 S * 12/2009 Kissinger D9/516
 D609,564 S * 2/2010 Paine D9/434
 D611,885 S * 3/2010 Dringenberg D12/197
 D627,652 S * 11/2010 Dorn D9/516
 D629,120 S * 12/2010 Lafond D24/224
 D637,903 S * 5/2011 Ghiotti D9/428
 7,967,225 B1 * 6/2011 Schulz E03C 1/266
 241/46.013

D650,677 S * 12/2011 Wurster D9/516
 D654,152 S * 2/2012 Schulz D23/260
 D683,497 S * 5/2013 Ghiotti D9/428
 D704,312 S * 5/2014 Kuo D23/259
 D716,653 S * 11/2014 Balembois D9/435
 D776,296 S * 1/2017 Wainwright D24/224
 D776,536 S * 1/2017 Emoff D9/455
 D786,652 S * 5/2017 Lira-Nunez D8/321
 D793,858 S * 8/2017 Buck D9/428
 D813,355 S * 3/2018 Weatherby D23/259
 D821,877 S * 7/2018 Harris D9/516
 D829,065 S * 9/2018 Marantis D7/700
 D846,382 S * 4/2019 Praeter D9/434
 D852,628 S * 7/2019 Zerebny D9/455
 D871,177 S * 12/2019 Pentland D8/45
 D872,859 S * 1/2020 Krebs D24/127
 D885,908 S * 6/2020 Dycus D9/455
 2016/0106149 A1 * 4/2016 Potter B65B 5/06
 206/265
 2017/0231869 A1 * 8/2017 Zerebny A61J 1/16
 248/206.2
 2017/0275075 A1 * 9/2017 Bamonte B65D 21/0219
 2019/0375543 A1 * 12/2019 Qiu B65D 25/24

FOREIGN PATENT DOCUMENTS

JP 1502759 S 7/2014
 JP 1554921 S 7/2016
 JP 1592045 S 11/2017

* cited by examiner

FIG. 1

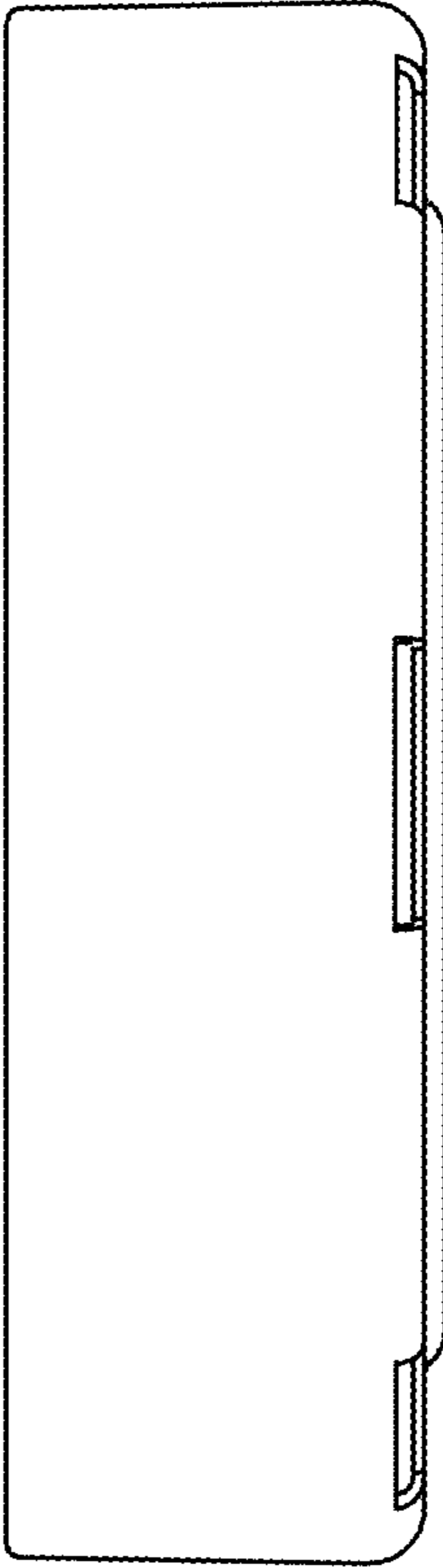


FIG. 2

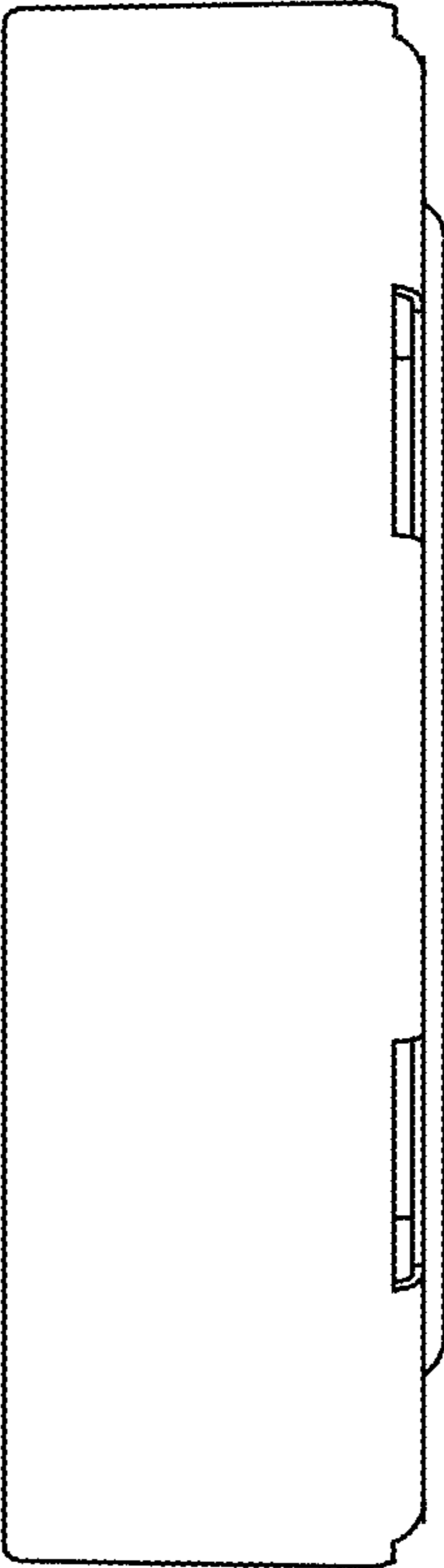


FIG. 3

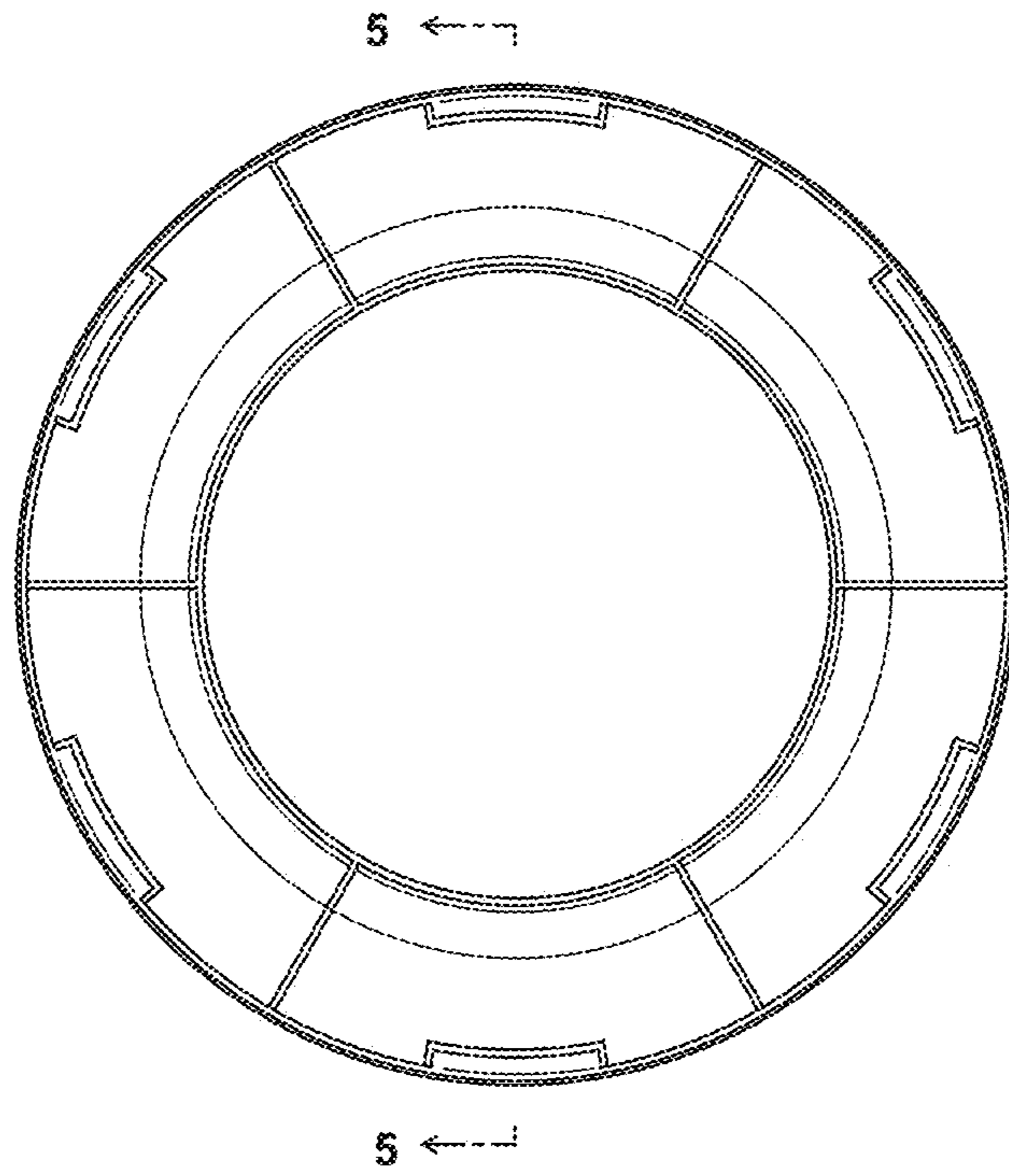


FIG. 4

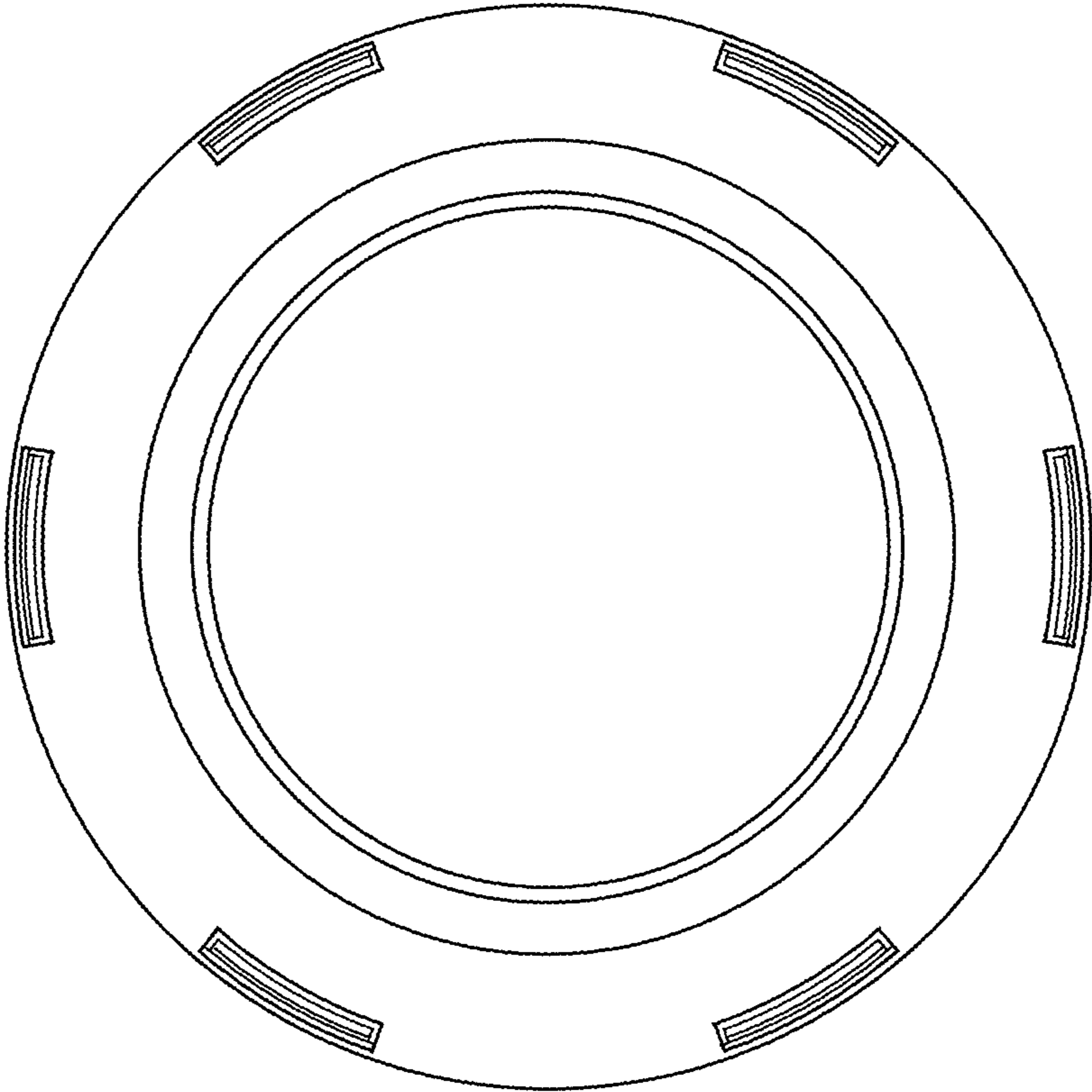


FIG. 5

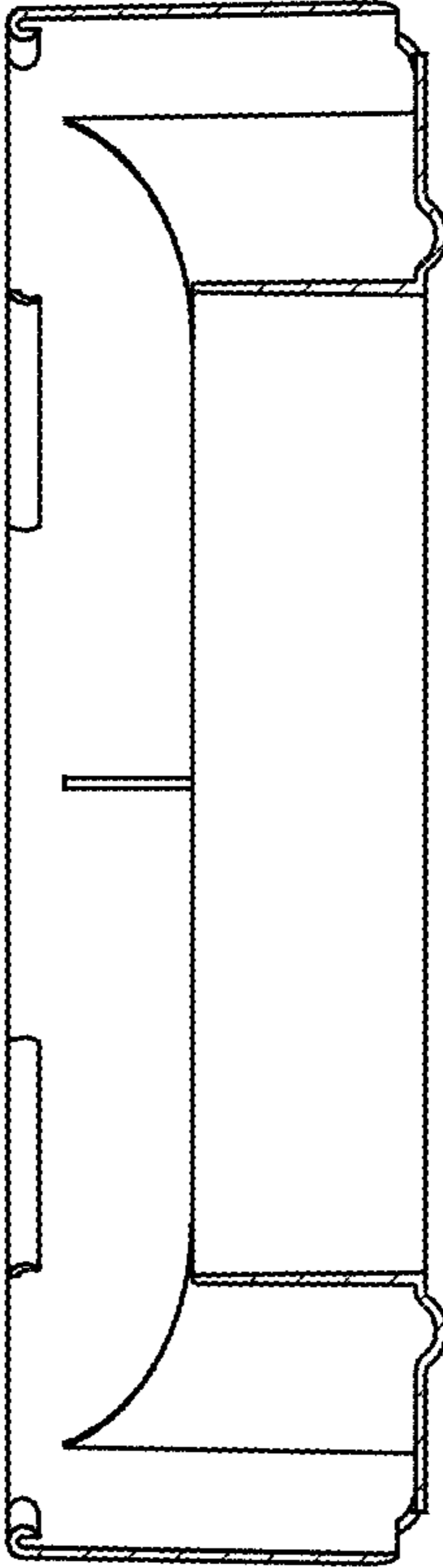


FIG. 6

