



US00D913094S

(12) **United States Design Patent**
Liu

(10) **Patent No.:** **US D913,094 S**

(45) **Date of Patent:** **** Mar. 16, 2021**

(54) **CAP**

A47J 42/34; A47J 42/40; A47J 42/25;
A47J 42/255

(71) Applicant: **Katayama USA LLC**, Irvine, CA (US)

See application file for complete search history.

(72) Inventor: **Guanjun Liu**, Linyi (CN)

(56) **References Cited**

(**) Term: **15 Years**

U.S. PATENT DOCUMENTS

(21) Appl. No.: **29/706,895**

(22) Filed: **Sep. 24, 2019**

(51) **LOC (13) Cl.** **09-07**

(52) **U.S. Cl.**
USPC **D9/449**

(58) **Field of Classification Search**

USPC D3/202; D7/300, 300.1, 387, 391, 392,
D7/392.1, 393, 394, 396.1, 396.2, 401.1,
D7/509, 510, 511, 533, 536, 543, 589,
D7/591, 601, 602, 619.1; D9/434, 435,
D9/436, 438, 439, 440, 441, 443, 445,
D9/447, 448, 449, 454, 516, 520, 530,
D9/531, 686, 730, 733; D23/227, 249,
D23/259, 260
CPC B65D 2251/1066; B65D 2251/1058; B65D
47/0819; B65D 1/00; B65D 1/02; B65D
1/0223; B65D 2203/00; B65D 2203/02;
B65D 81/60; B65D 81/365; B65D
81/366; B65D 81/368; B65D 2539/008;
B65D 39/0094; B65D 2543/00046; B65D
2543/00027; B65D 2543/00092; B65D
2543/00296; B65D 2543/00351; B65D
2543/00537; B65D 2543/00731; B65D
43/0212; B65D 43/0218; A01G 31/02;
B02C 18/16; B02C 18/18; B02C 18/24;
A47J 42/08; A47J 42/38; A47J 42/04;
A47J 42/46; A47J 42/16; A47J 42/14;

2,222,927	A *	11/1940	Mantelet	A47J 42/34 241/169.1
D253,338	S *	11/1979	Hasegawa	D9/438
D278,602	S *	4/1985	Rosenstein	D9/449
D291,536	S *	8/1987	Crawford	D9/440
D291,971	S *	9/1987	Smith	D9/447
D305,206	S *	12/1989	Hickman	D9/449
D317,722	S *	6/1991	Todd	D9/435
D411,409	S *	6/1999	Wallays	D7/391
D450,584	S *	11/2001	Schmit	D7/596
D518,373	S *	4/2006	Schulthess	D9/434
D565,407	S *	4/2008	Kick	D9/446

(Continued)

OTHER PUBLICATIONS

Small Spice Jars with Shaker Lids: Site Visited [Dec. 16, 2020 (online)]. Available from Internet URL: <https://www.ebay.com/itm/Small-Spice-Jars-With-Shaker-Lids-Round-Plastic-Clip-Lid-4-Piece-Set-Bottles-/133126448362>.*

(Continued)

Primary Examiner — Catherine S Posthauer

(74) *Attorney, Agent, or Firm* — CIONCA IP Law P.C.;
Marin Cionca

(57) **CLAIM**

The ornamental design for a cap, as shown and described.

DESCRIPTION

FIG. 1 is a top perspective view of a cap showing the new design in an open state;
FIG. 2 is a bottom perspective view thereof;
FIG. 3 is a right side elevation view thereof, the left side being a mirror image of the right side;
FIG. 4 is a bottom plan view thereof;
FIG. 5 is a top plan view thereof;

(Continued)

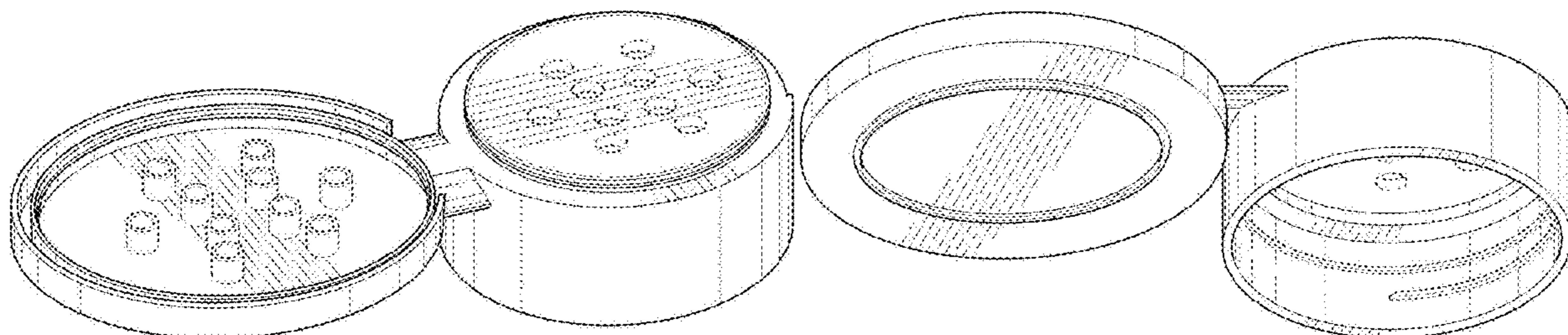


FIG. 6 is a front elevation view thereof; and,
 FIG. 7 is a rear elevation view thereof.
 The broken lines form no part of the claimed design.

1 Claim, 4 Drawing Sheets

(56)

References Cited

U.S. PATENT DOCUMENTS

D565,408	S *	4/2008	Kick	D9/446
D573,879	S *	7/2008	Kett	D9/445
D654,308	S *	2/2012	Tiemann	D7/401.1
D657,671	S *	4/2012	O'Brien	D9/447
D677,567	S *	3/2013	Groves	D9/445
D682,608	S *	5/2013	Audette	D7/392
D704,057	S *	5/2014	Bar-Tal	D9/449
D712,264	S *	9/2014	Humm	D9/449
D720,571	S *	1/2015	Deters	D7/391
D730,731	S *	6/2015	Bewley, Jr.	D9/447
D799,958	S *	10/2017	Butruille	D9/440
D809,346	S *	2/2018	Rigbi	D7/591
D809,387	S *	2/2018	Tran	D9/449
D809,388	S *	2/2018	Tran	D9/449
D815,918	S *	4/2018	Rigbi	D7/591
D829,869	S *	10/2018	McClam	D23/260
D839,728	S *	2/2019	Rees	D9/439
2005/0279781	A1 *	12/2005	Pugne	B65D 47/0804 222/556
2007/0007310	A1 *	1/2007	Antal, Sr.	B65D 47/0819 222/480

2007/0181577	A1 *	8/2007	Jones, Jr.	B65D 51/1605 220/258.2
2007/0205177	A1 *	9/2007	Delage	B65D 47/0814 215/305
2008/0156817	A1 *	7/2008	Roseblade	A47G 19/2211 220/713
2010/0065589	A1 *	3/2010	Skillin	B65D 47/0838 222/556
2013/0175234	A1 *	7/2013	Mackenzie	B65D 51/00 215/289
2013/0175271	A1 *	7/2013	Lim	B65D 47/0828 220/254.5
2016/0100715	A1 *	4/2016	Staiano	A47J 42/00 241/79
2016/0213567	A1 *	7/2016	Gandhi	A61J 7/0084
2018/0103805	A1 *	4/2018	Huang	B02C 19/08
2019/0269278	A1 *	9/2019	Neury	A47J 42/34

OTHER PUBLICATIONS

Salt and Pepper Shakers with Lids: Announced Dec. 22, 2018 [online]. Site Visited [Dec. 16, 2020]. Available from Internet URL: https://www.amazon.com/Set-Plastic-Dispenser-Seasoning-Container/dp/B08MLB2RY6/ref=cm_cr_ar_p_d_product_top?ie=UTF8.*

Qosmedix Jars and Flip Top Sifters with Threaded Cap: Announced Mar. 7, 2017 [online]. Site Visited [Dec. 16, 2020]. Available from Internet URL: <https://www.qosmedix.com/jar-and-flip-top-sifter-with-threaded-cap-10042-10043>.*

Kaufman Container Spice Grinder Flip Top Closure: Announced May 13, 2018 [online]. Site Visited [Dec. 16, 2020]. Available from Internet URL: <https://www.kaufmancontainer.com/news/how-to-choose-the-right-flip-top-closure-for-your-spices/>.*

* cited by examiner

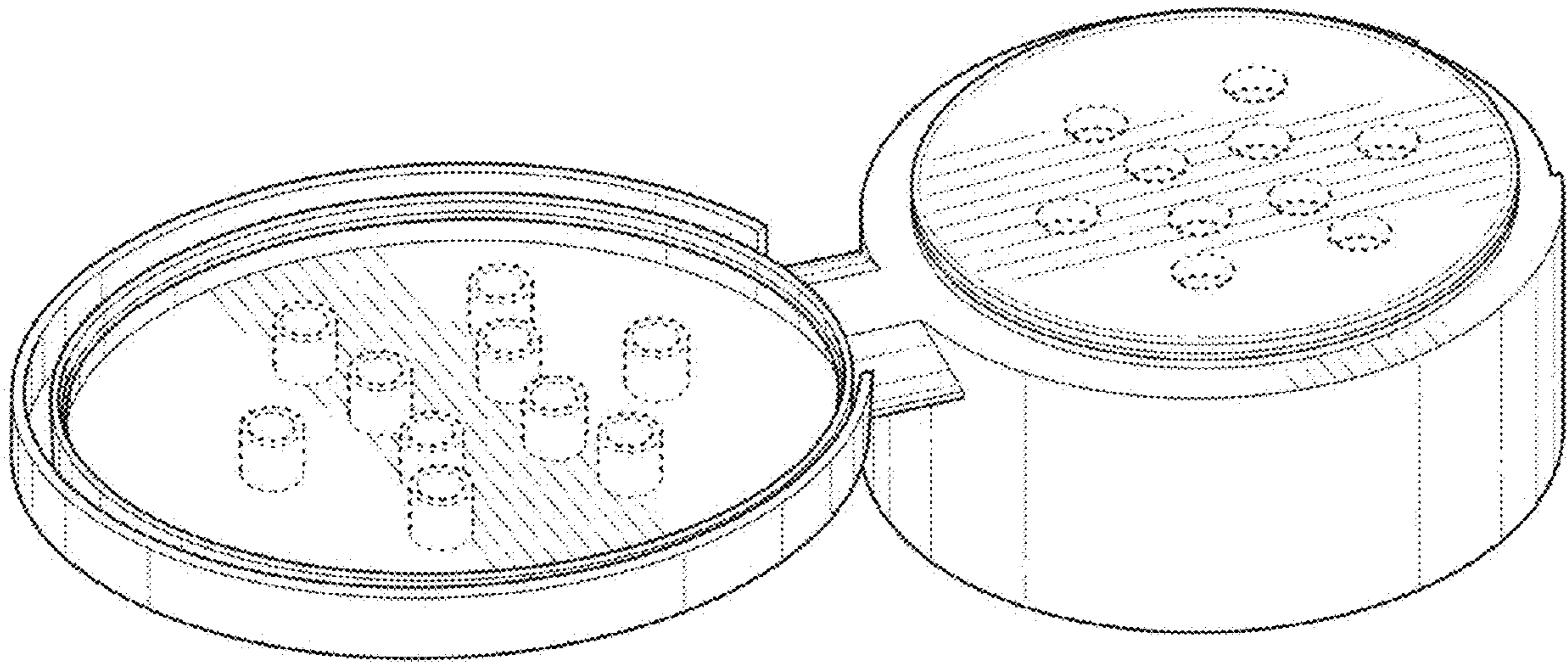


FIG. 1

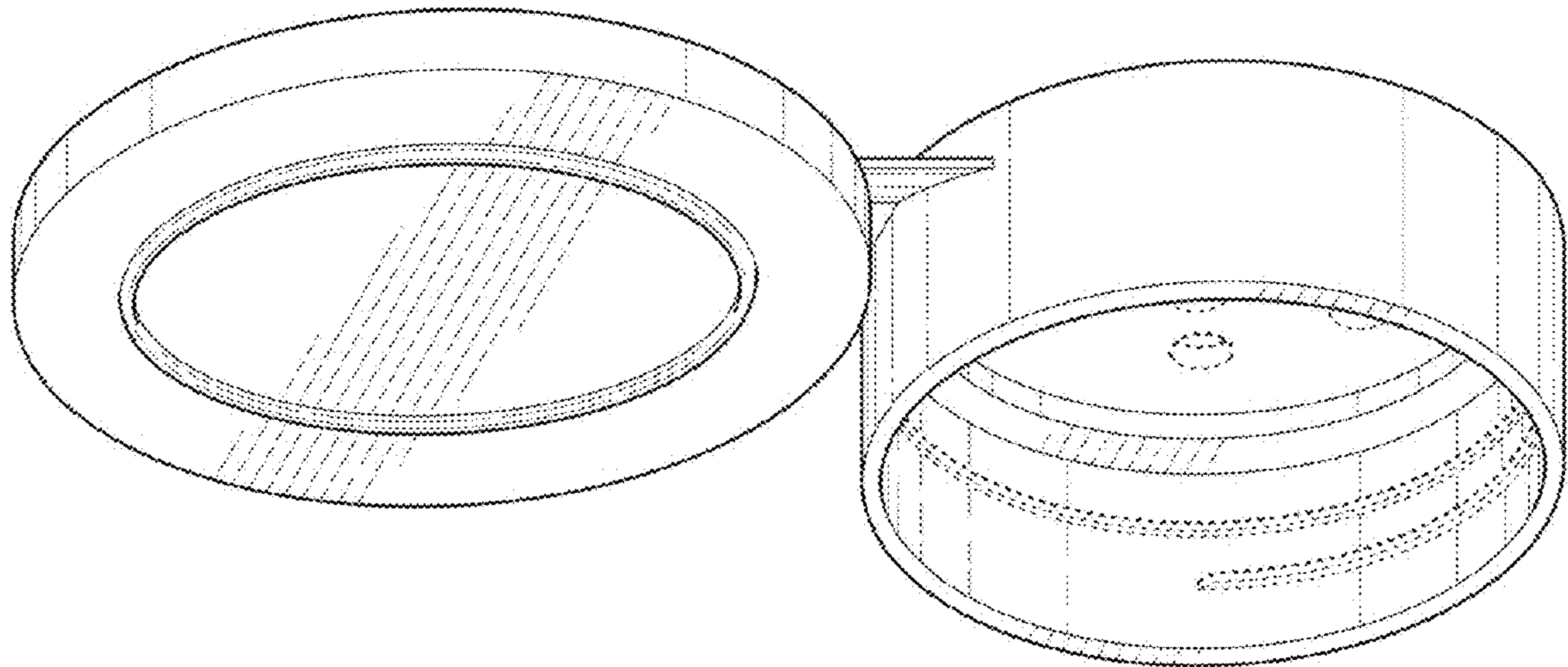


FIG. 2

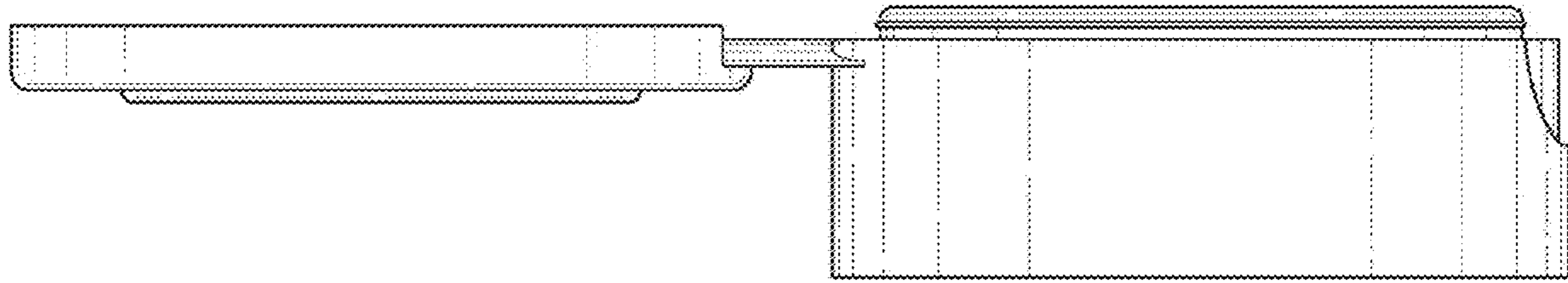


FIG. 3

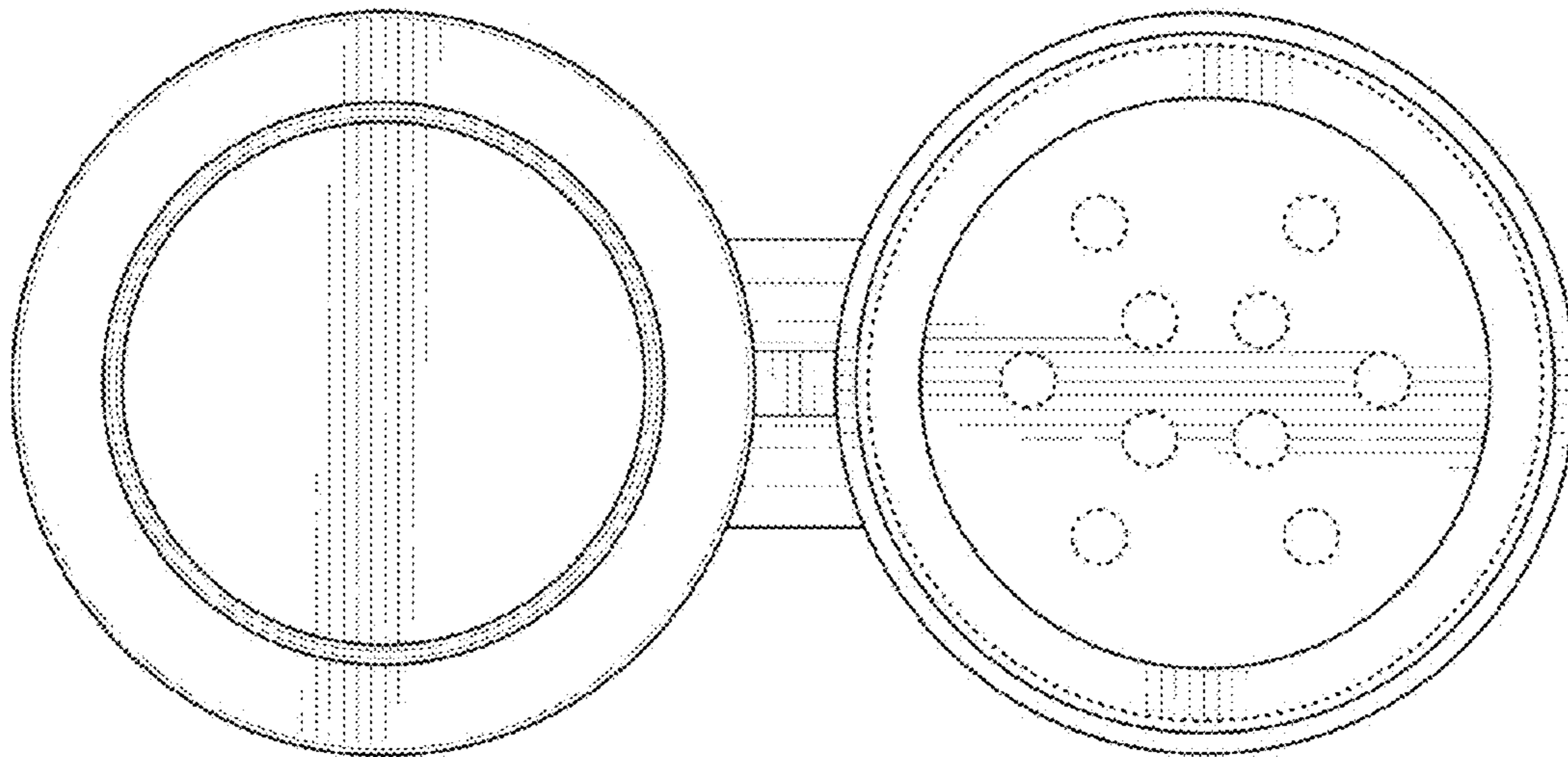


FIG. 4

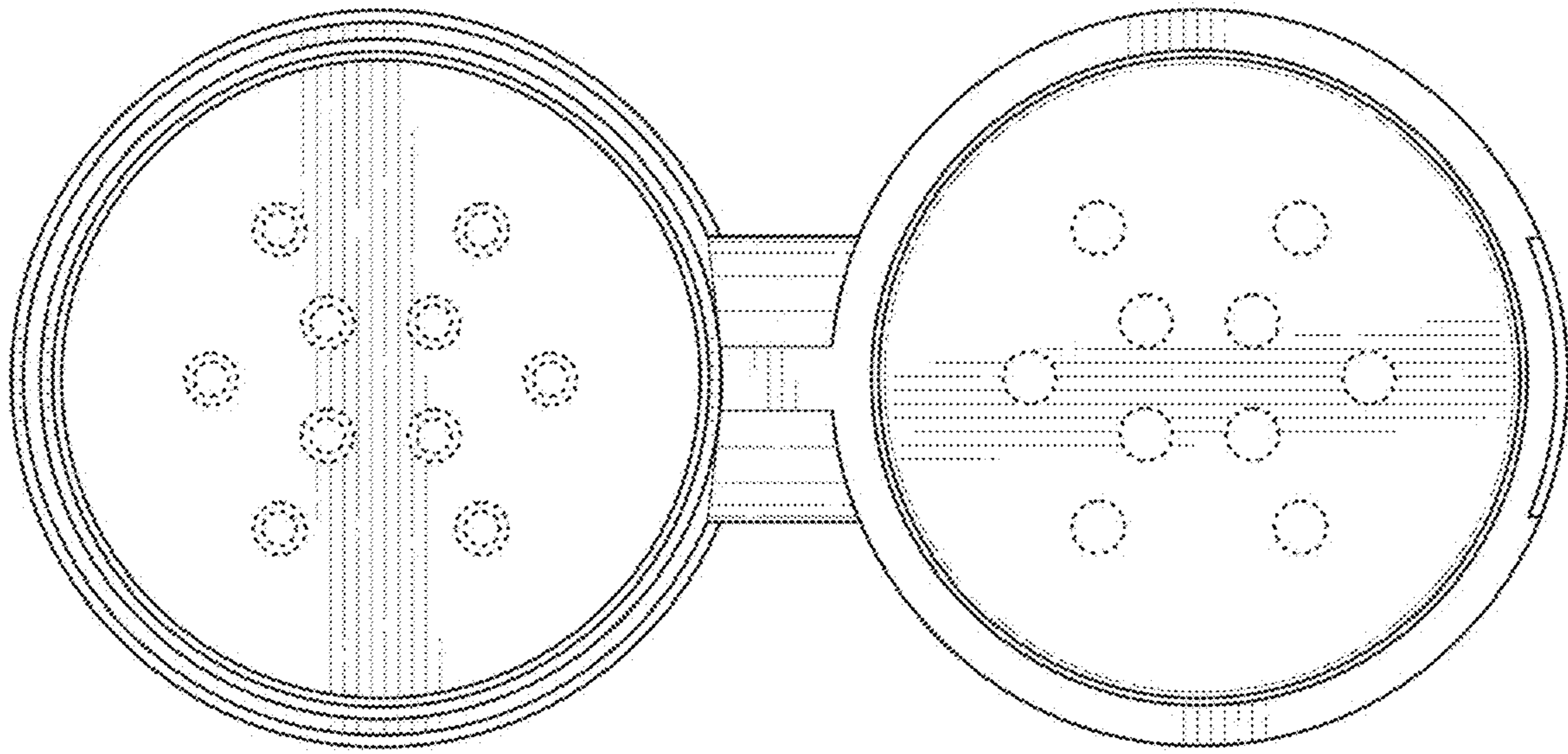


FIG. 5

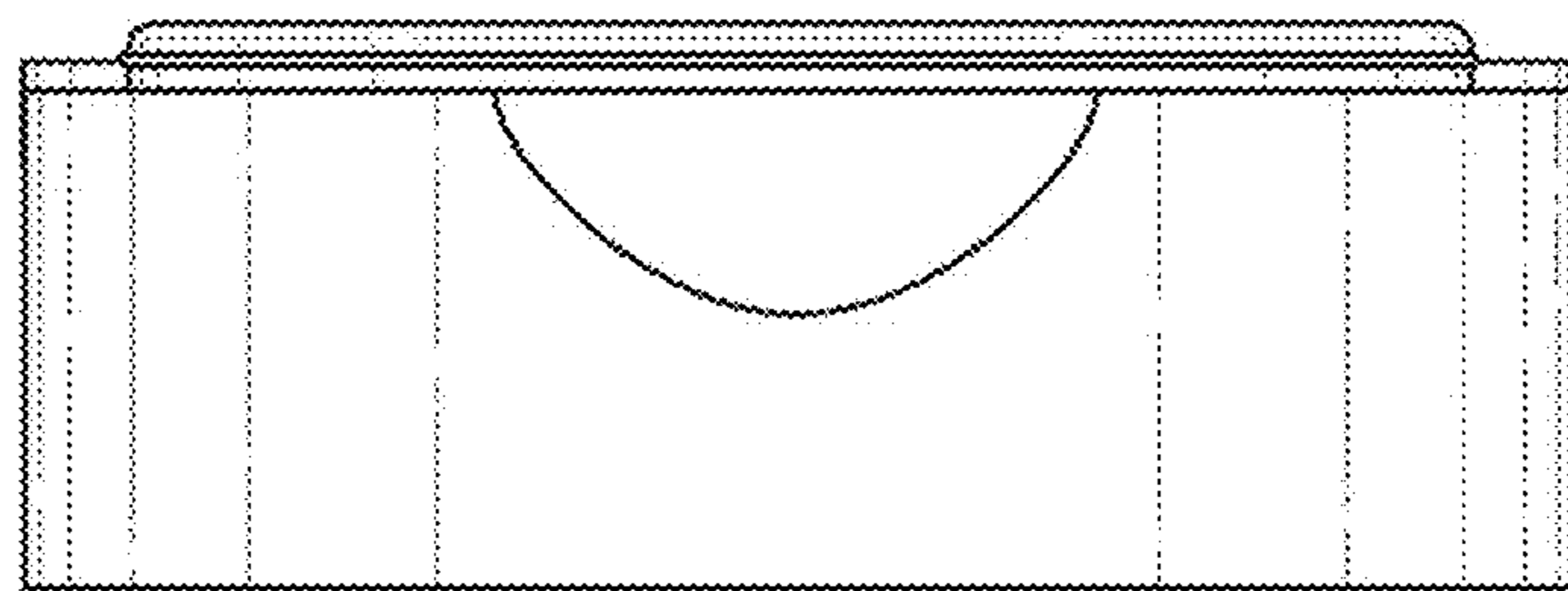


FIG. 6

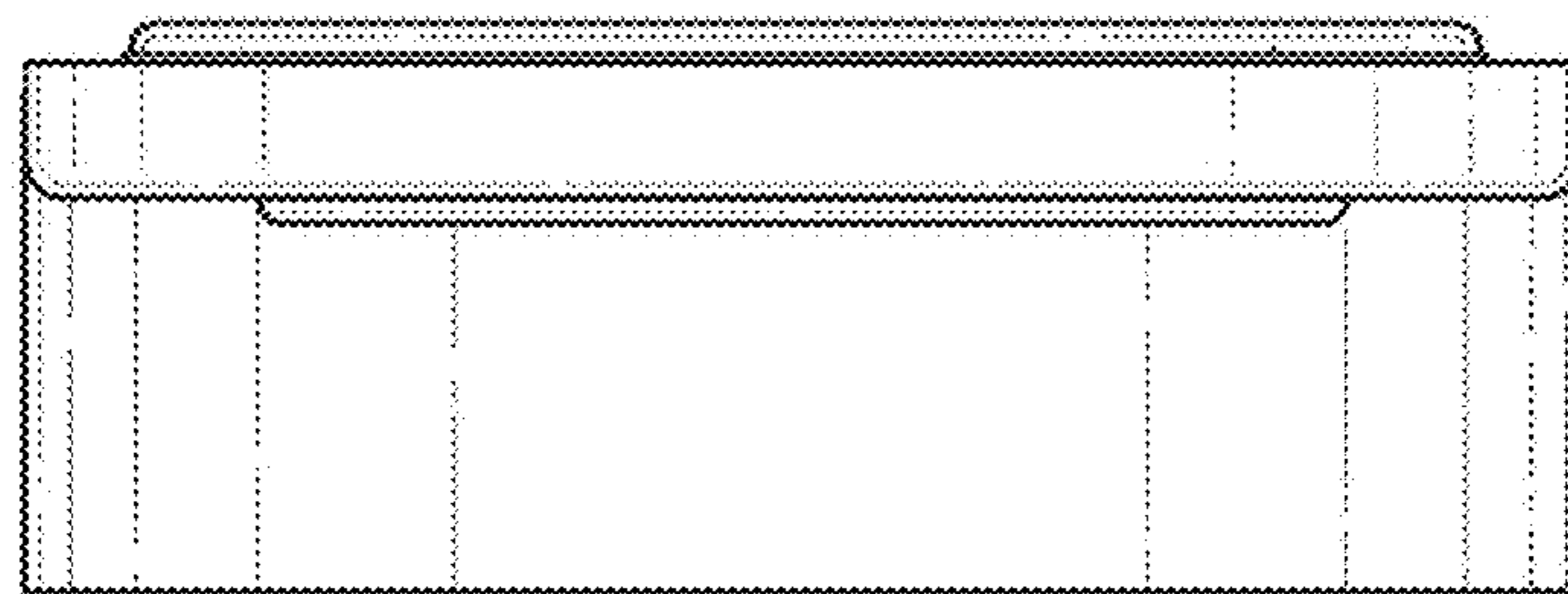


FIG. 7