

US00D913093S

(12) **United States Design Patent**
Van Den Hoonard et al.

(10) **Patent No.:** **US D913,093 S**
(45) **Date of Patent:** **** Mar. 16, 2021**

- (54) **CAP FOR A POUCH**
- (71) Applicant: **Scholle IPN IP B.V.**, DC Houten (NL)
- (72) Inventors: **Paul Van Den Hoonard**, Peachtree City, GA (US); **Kyle Erickson**, Northlake, IL (US)
- (73) Assignee: **Scholle IPN IP BV**, Tilburg (NL)
- (**) Term: **15 Years**
- (21) Appl. No.: **29/628,009**
- (22) Filed: **Nov. 30, 2017**

D351,793 S *	10/1994	Stoller	D9/443
D370,709 S *	6/1996	John	D23/260
D380,387 S *	7/1997	Weiler	D9/520
D425,965 S *	5/2000	Yuen	D7/398
D456,668 S *	5/2002	Tse	D9/435
D544,347 S *	6/2007	Last	D9/443
D551,078 S *	9/2007	Last	D9/445
7,431,529 B1 *	10/2008	Rushe	B65D 1/0238 215/252
D631,346 S *	1/2011	Schwartz	D9/443
D638,720 S *	5/2011	Schwartz	D9/709
D640,553 S *	6/2011	Eiteljorg	D9/443
D682,693 S *	5/2013	Cocuzzi	D9/443
D687,719 S *	8/2013	Last	D9/709
D704,058 S *	5/2014	Last	D9/443
D786,672 S *	5/2017	van Spronsen	D9/443
D787,328 S *	5/2017	van der Molen	D9/451
D799,322 S *	10/2017	Tamarindo	D9/451
D803,054 S *	11/2017	van Spronsen	D9/443

Related U.S. Application Data

(63) Continuation of application No. 15/800,759, filed on Nov. 1, 2017, now Pat. No. 10,654,628.

(51) **LOC (13) Cl.** **09-07**

(52) **U.S. Cl.**
USPC **D9/443**

(58) **Field of Classification Search**
USPC D9/414, 424, 425, 428, 432, 434, 435, D9/436, 439, 440, 443-450, 452-457, D9/499, 503, 682, 685, 686; D7/387, D7/391, 392, 392.1, 396.2, 510, 511, 538, D7/900; D3/202, 203.2; D28/91, 91.1
CPC .. A61J 1/00; A61J 1/1412; B65D 1/00; B65D 1/02; B65D 1/10; B65D 1/46; B65D 5/46; B65D 41/00; B65D 41/38; B65D 41/56; B65D 41/62; B65D 47/00; B65D 47/06; B65D 47/08; B65D 2251/00; B65D 2543/00046; B65D 2543/00092; B65D 2543/00296

See application file for complete search history.

(56) **References Cited**

U.S. PATENT DOCUMENTS

- 4,569,456 A * 2/1986 Weiler B65D 41/58
215/251
- D328,421 S * 8/1992 Weiler D9/443

(Continued)

Primary Examiner — Wendy L Arminio

(74) *Attorney, Agent, or Firm* — The Watson IP Group, PLC; Jovan N. Jovanovic

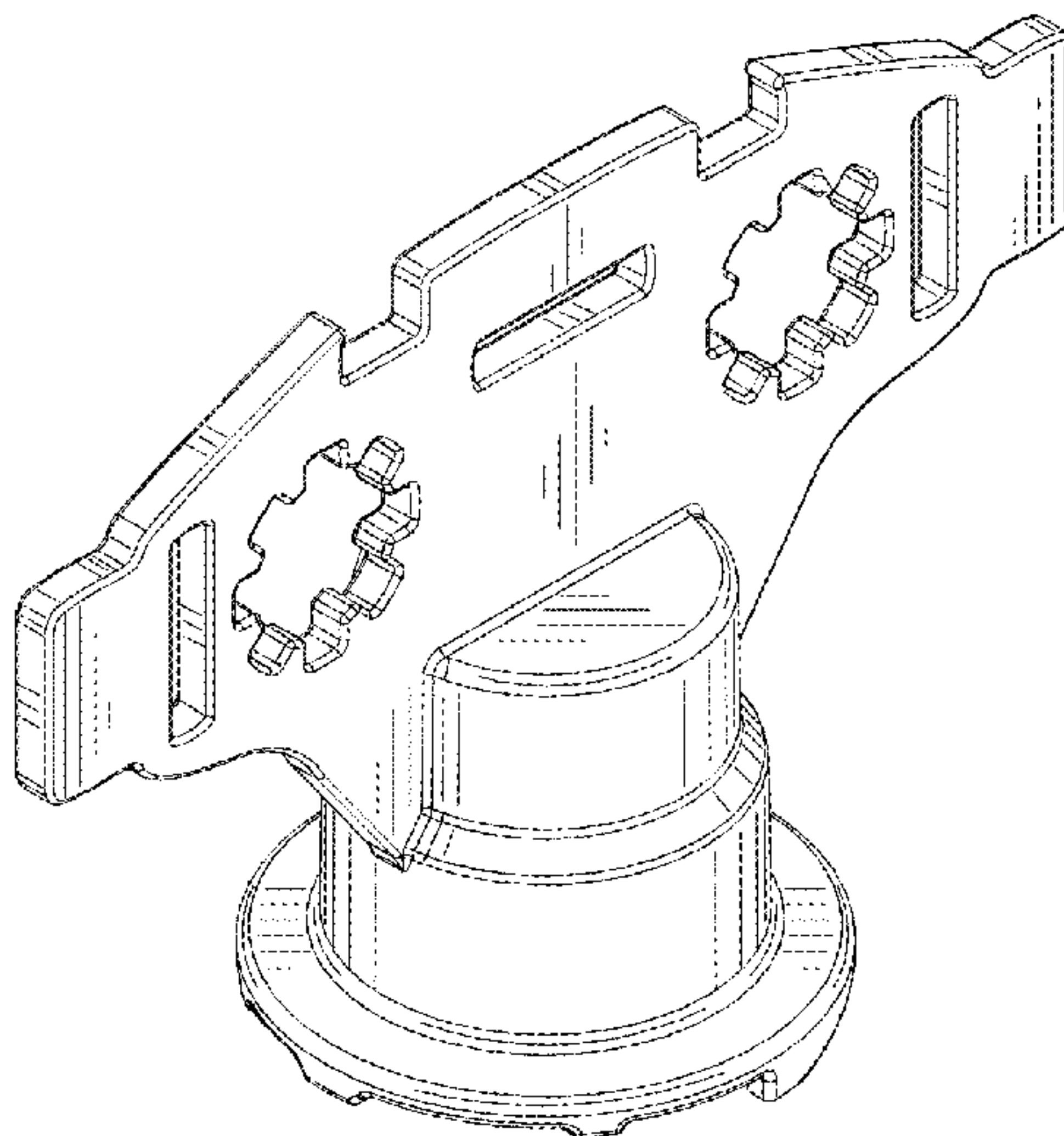
(57) **CLAIM**

The ornamental design for a cap for a pouch, as shown and described.

DESCRIPTION

FIG. 1 is a top, front perspective view of a cap for a pouch; FIG. 2 is a bottom, back perspective view thereof; FIG. 3 is a front elevational view thereof; FIG. 4 is a back elevational view thereof; FIG. 5 is a top plan view thereof; FIG. 6 is a bottom plan view thereof; FIG. 7 is a first side elevational view thereof; and, FIG. 8 is a second side elevational view thereof.

1 Claim, 4 Drawing Sheets



(56)

References Cited

U.S. PATENT DOCUMENTS

D813,669 S * 3/2018 Pentland D9/447
D885,893 S * 6/2020 Tamarindo D9/443
2003/0127472 A1* 7/2003 Doherty B65D 1/095
222/541.5
2010/0294773 A1* 11/2010 Schwartz B65D 41/04
220/288
2016/0114922 A1* 4/2016 Boira Bonhora B65B 55/08
53/426

* cited by examiner

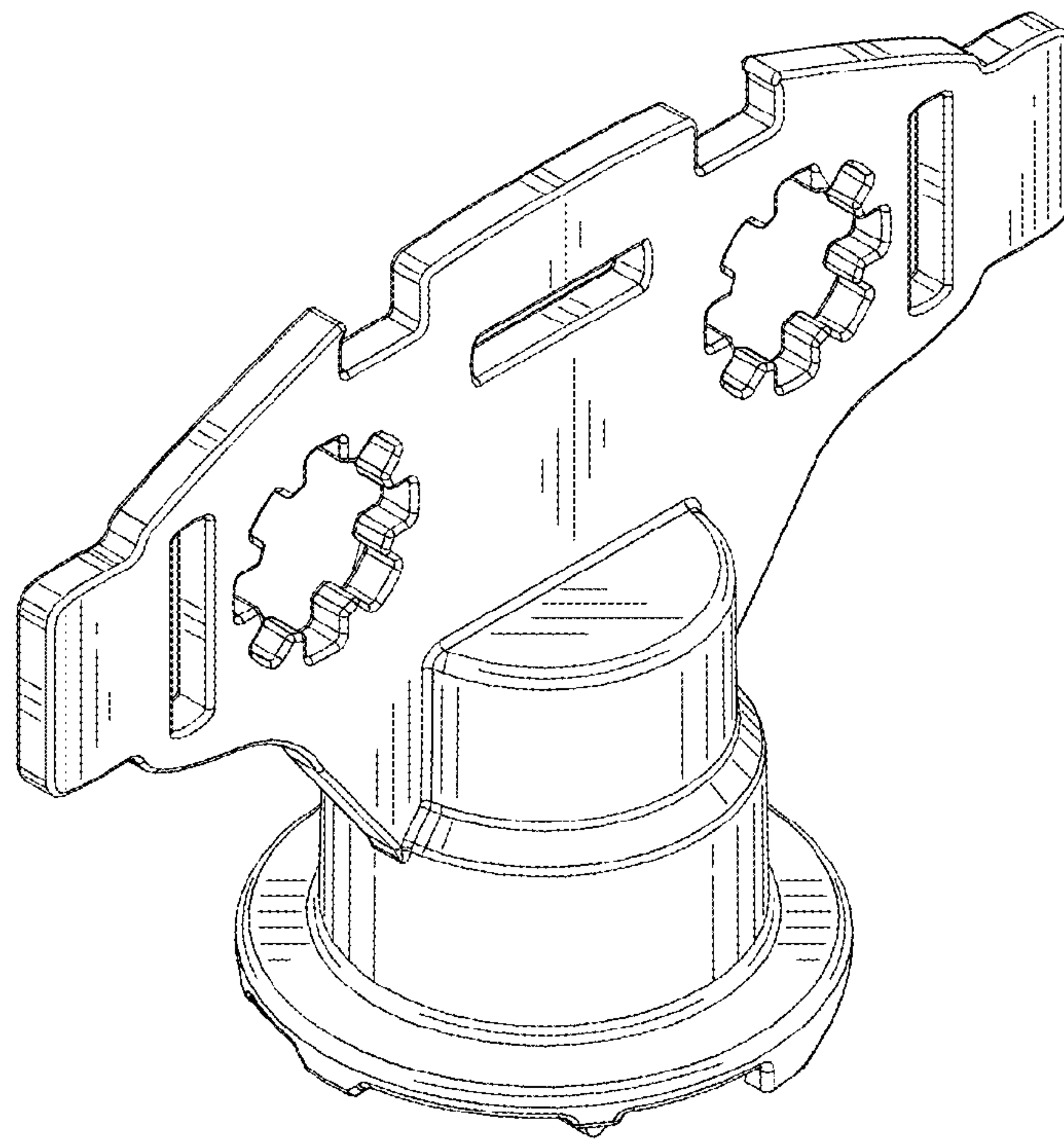


FIG. 1

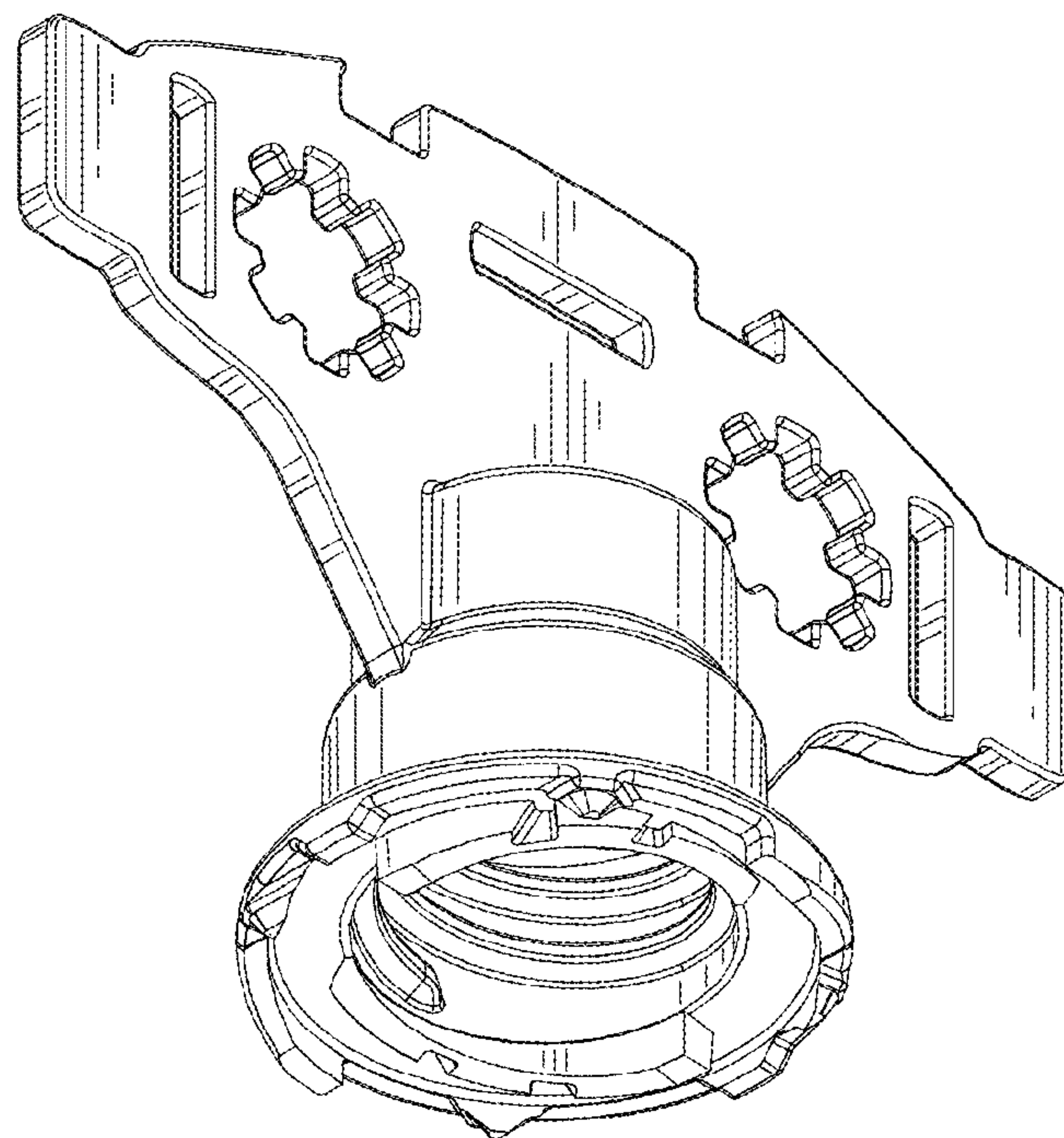


FIG. 2

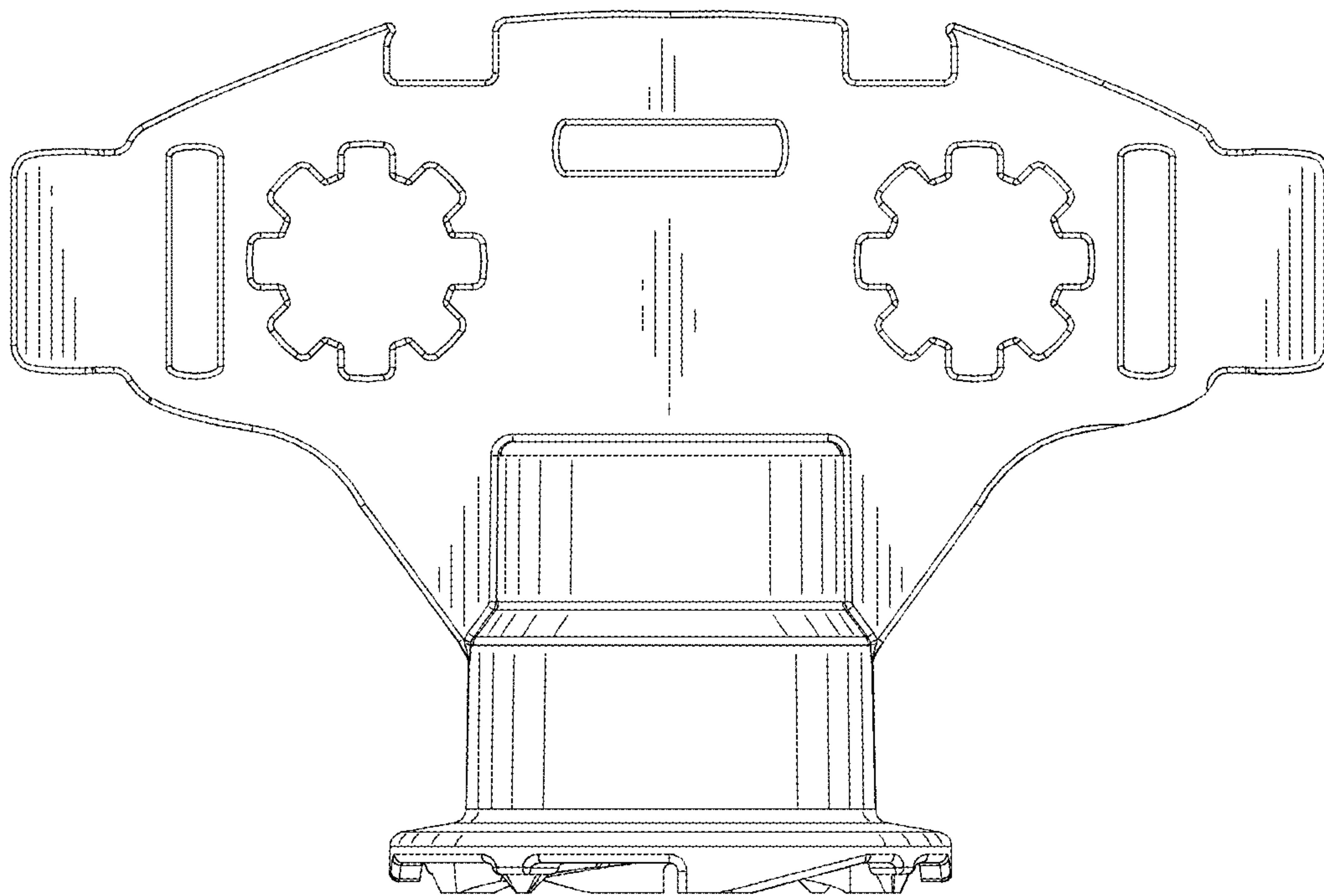


FIG. 3

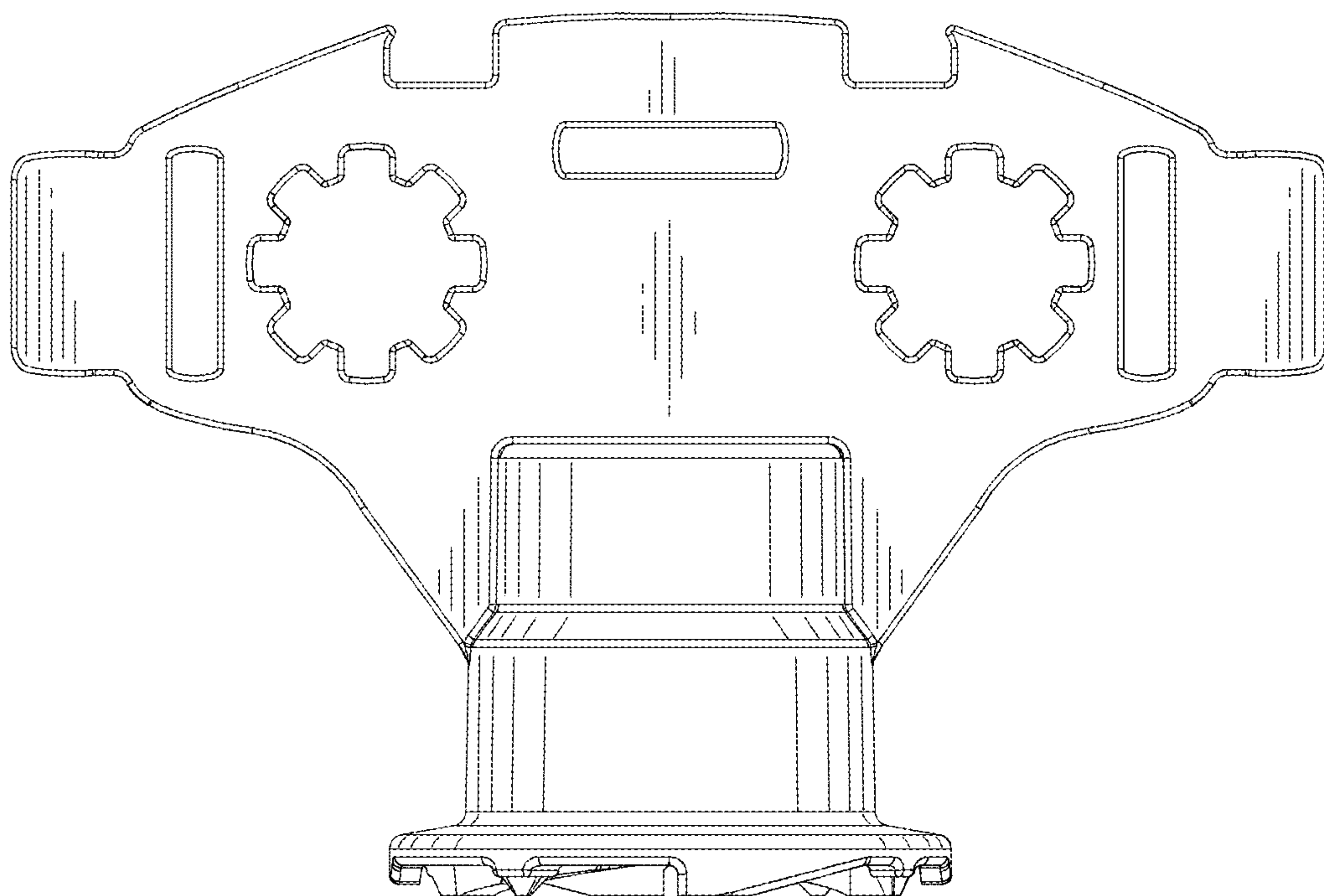


FIG. 4

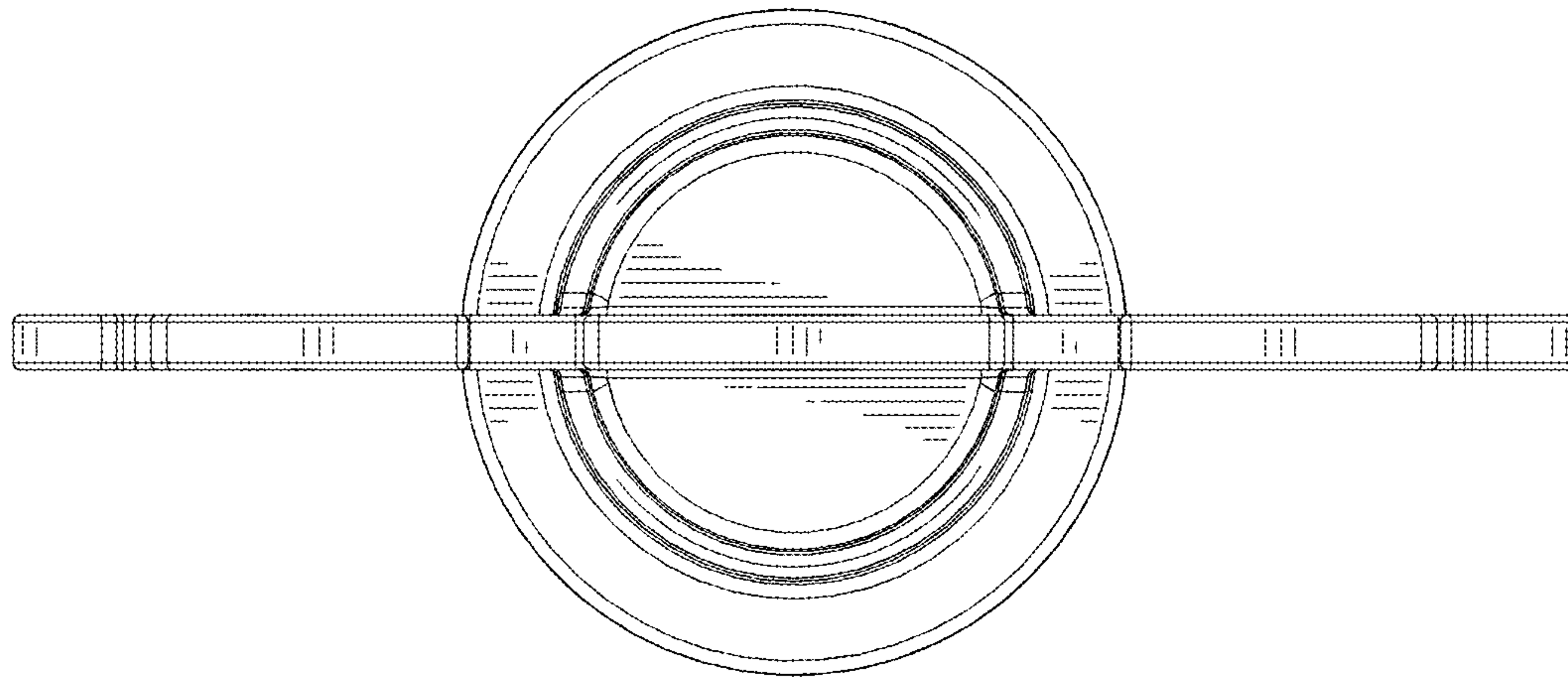


FIG. 5

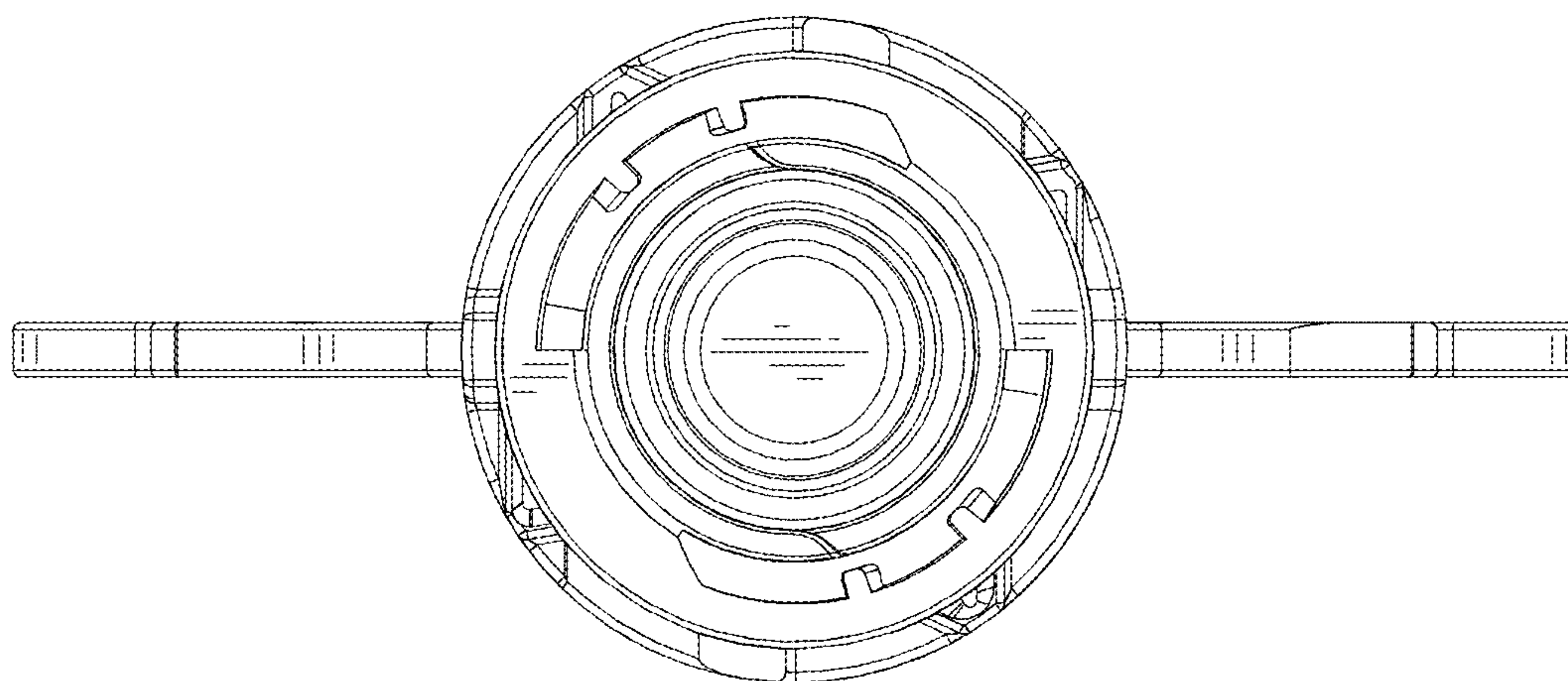


FIG. 6

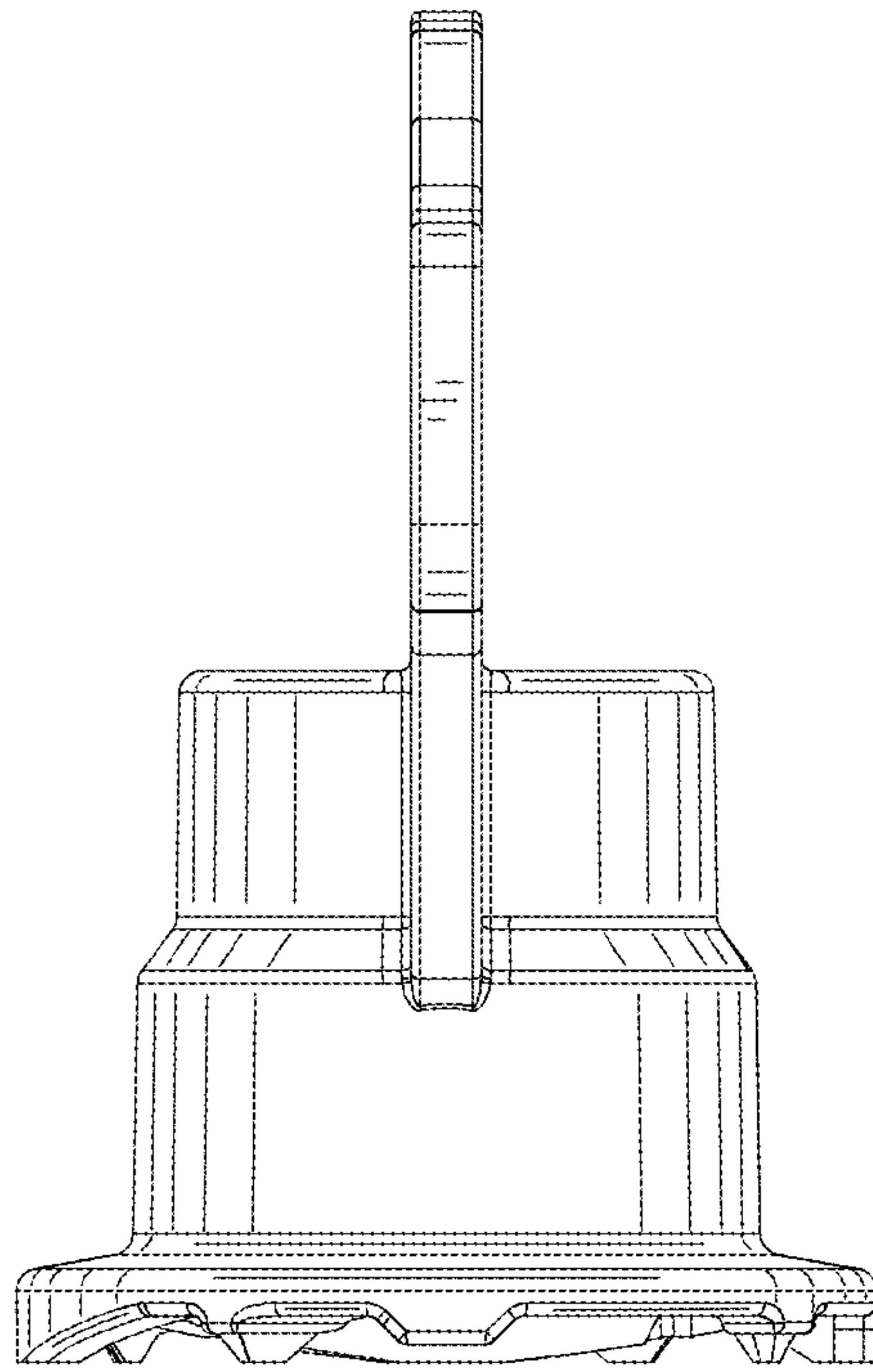


FIG. 7

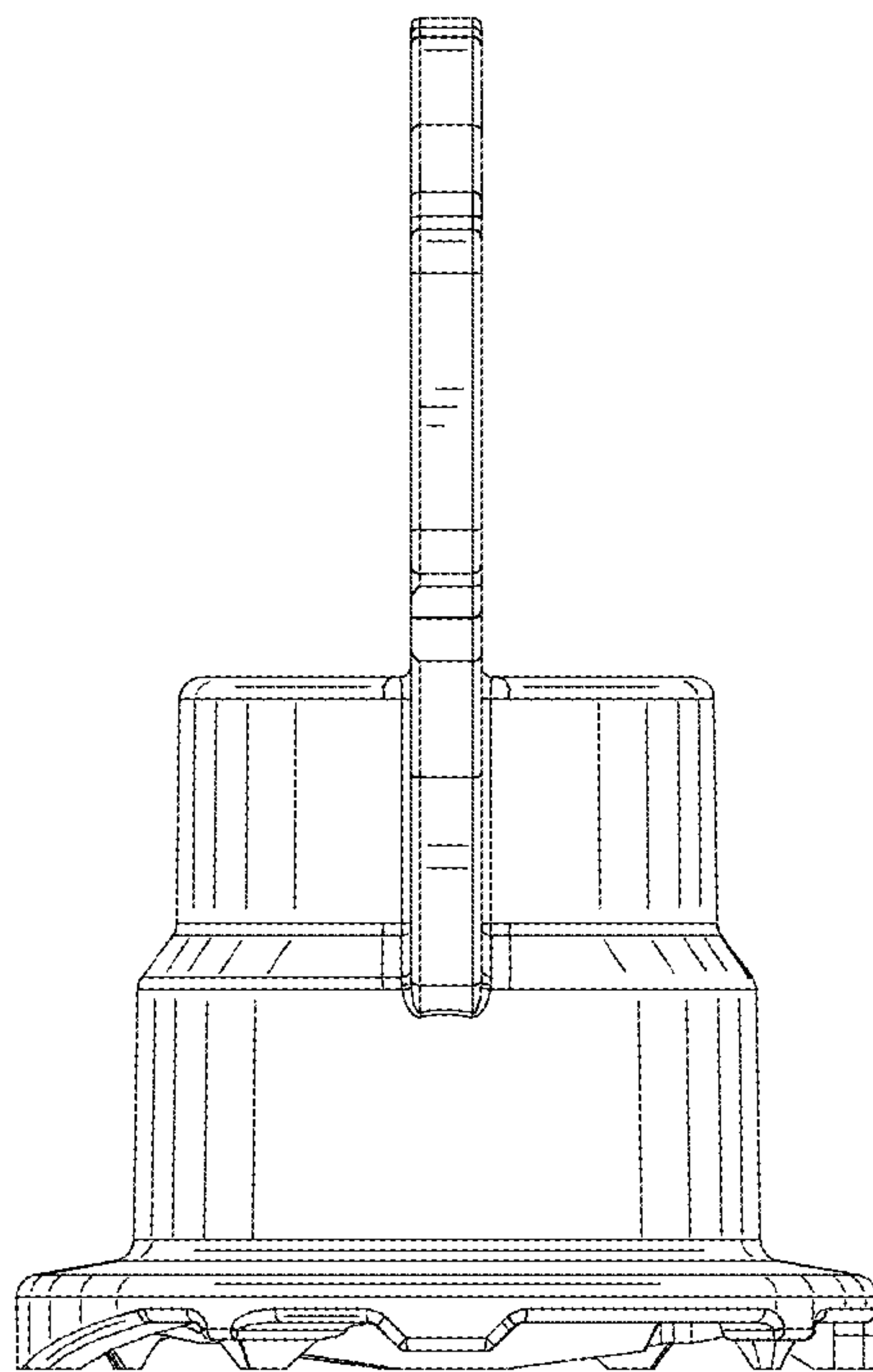


FIG. 8