



US00D913092S

(12) **United States Design Patent**  
**Motl**

(10) **Patent No.:** **US D913,092 S**

(45) **Date of Patent:** **\*\* Mar. 16, 2021**

- (54) **DOMED LID FOR A CONTAINER**
- (71) Applicant: **Placon Corporation**, Madison, WI (US)
- (72) Inventor: **Michael J. Motl**, McFarland, WI (US)
- (73) Assignee: **Placon Corporation**, Madison, WI (US)

- D424,432 S \* 5/2000 Knutson ..... D9/425
- D440,155 S \* 4/2001 Schaefer ..... D9/451
- D449,986 S \* 11/2001 Schaefer ..... D9/434
- D523,333 S \* 6/2006 Moretti ..... D9/454
- D601,416 S \* 10/2009 Fosse ..... D9/425
- D618,547 S \* 6/2010 Manning ..... D9/428
- D634,617 S \* 3/2011 Sellari ..... D9/424
- D672,231 S \* 12/2012 Snedden ..... D9/424
- D672,236 S \* 12/2012 Zomorodi ..... D9/435
- D682,687 S \* 5/2013 McCumber ..... D9/435

(Continued)

(\*\*) Term: **15 Years**

(21) Appl. No.: **29/722,555**

(22) Filed: **Jan. 30, 2020**

(51) **LOC (13) Cl.** ..... **09-07**

(52) **U.S. Cl.**  
USPC ..... **D9/435**

(58) **Field of Classification Search**  
USPC ..... D9/434, 435, 439, 440, 442-450,  
D9/452-457, 499, 503-505, 682, 685,  
D9/686, 425, 426; D7/387, 391, 392,  
D7/392.1, 396.1, 396.2, 507, 509-511,  
D7/538, 900; D3/202, 203.2, 294, 318;  
D28/91, 91.1

CPC .. A61J 1/00; A61J 1/1412; B65D 1/00; B65D  
1/02; B65D 1/10; B65D 1/46; B65D  
5/46; B65D 41/00; B65D 41/38; B65D  
41/56; B65D 41/62; B65D 47/00; B65D  
47/06; B65D 47/08; B65D 2251/00;  
B65D 2543/00046; B65D 2543/00092;  
B65D 2543/00296

See application file for complete search history.

(56) **References Cited**

**U.S. PATENT DOCUMENTS**

- 4,096,986 A \* 6/1978 Florian ..... B65D 43/162  
D9/426
- D309,105 S \* 7/1990 Fisher ..... D9/425
- 5,219,085 A \* 6/1993 Craft ..... B65F 1/1607  
D34/11

**OTHER PUBLICATIONS**

“Parfait Cups”, Lacerta Group, Inc., <http://lacerta.com/parfait-cups-3/>, admitted prior art, accessed on and available at least as early as Feb. 5, 2020.

(Continued)

*Primary Examiner* — Wendy L Arminio  
(74) *Attorney, Agent, or Firm* — Stiennon & Stiennon

(57) **CLAIM**

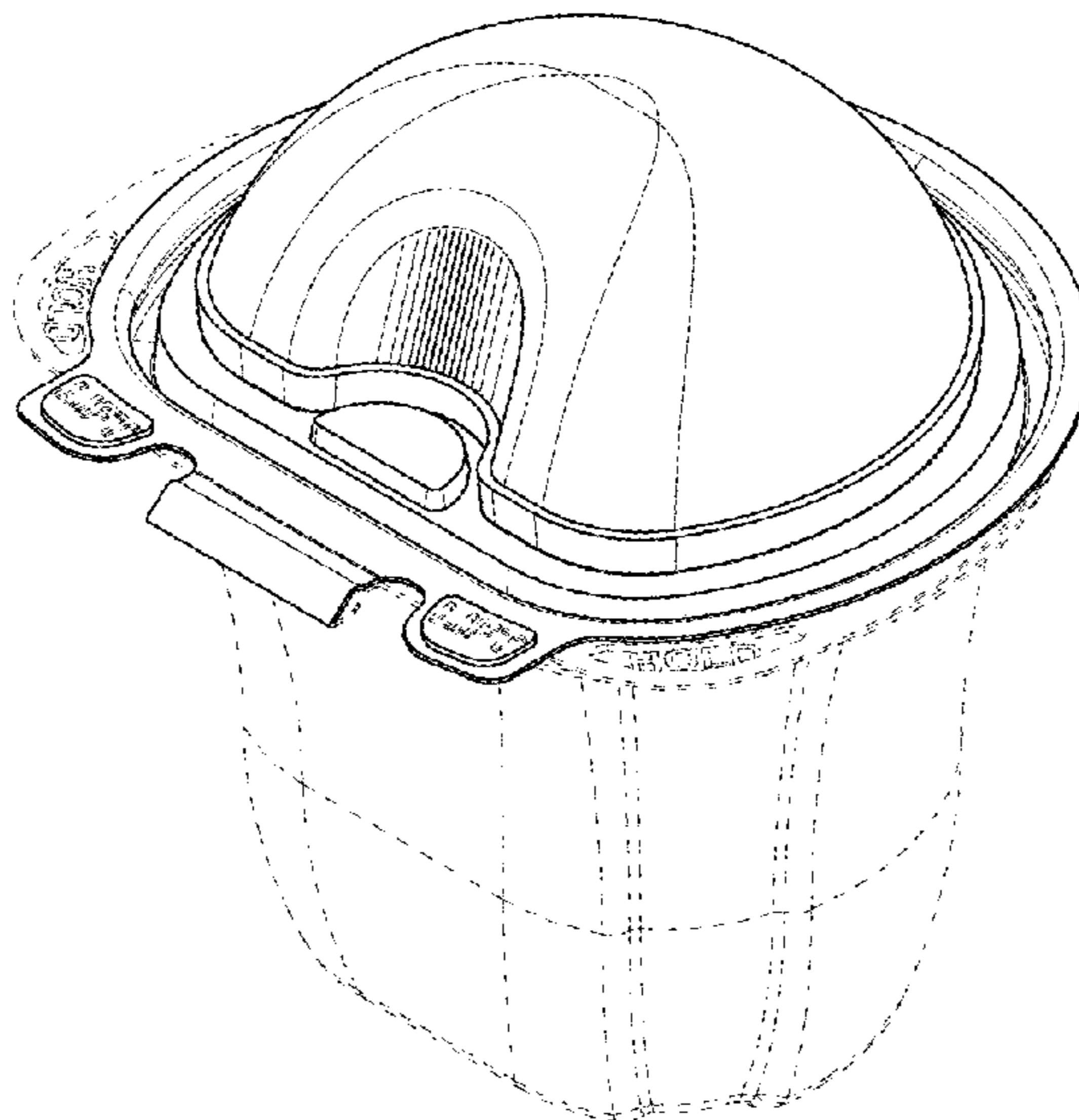
The ornamental design for a domed lid for a container, as shown and described.

**DESCRIPTION**

FIG. 1 is a rear isometric view of the domed lid for a container of my invention shown in relation to a container base, shown in broken lines;  
FIG. 2 is front isometric view thereof;  
FIG. 3 is a front elevational view thereof;  
FIG. 4 is a right side elevational view thereof, the side opposite being a mirror image thereof;  
FIG. 5 is a rear elevational view thereof;  
FIG. 6 is a top plan view thereof;  
FIG. 7 is a bottom plan view thereof; and,  
FIG. 8 is a bottom plan view thereof where the environmental base is omitted.

The broken lines illustrate environmental structure and form no part of the claimed design.

**1 Claim, 2 Drawing Sheets**



(56)

**References Cited**

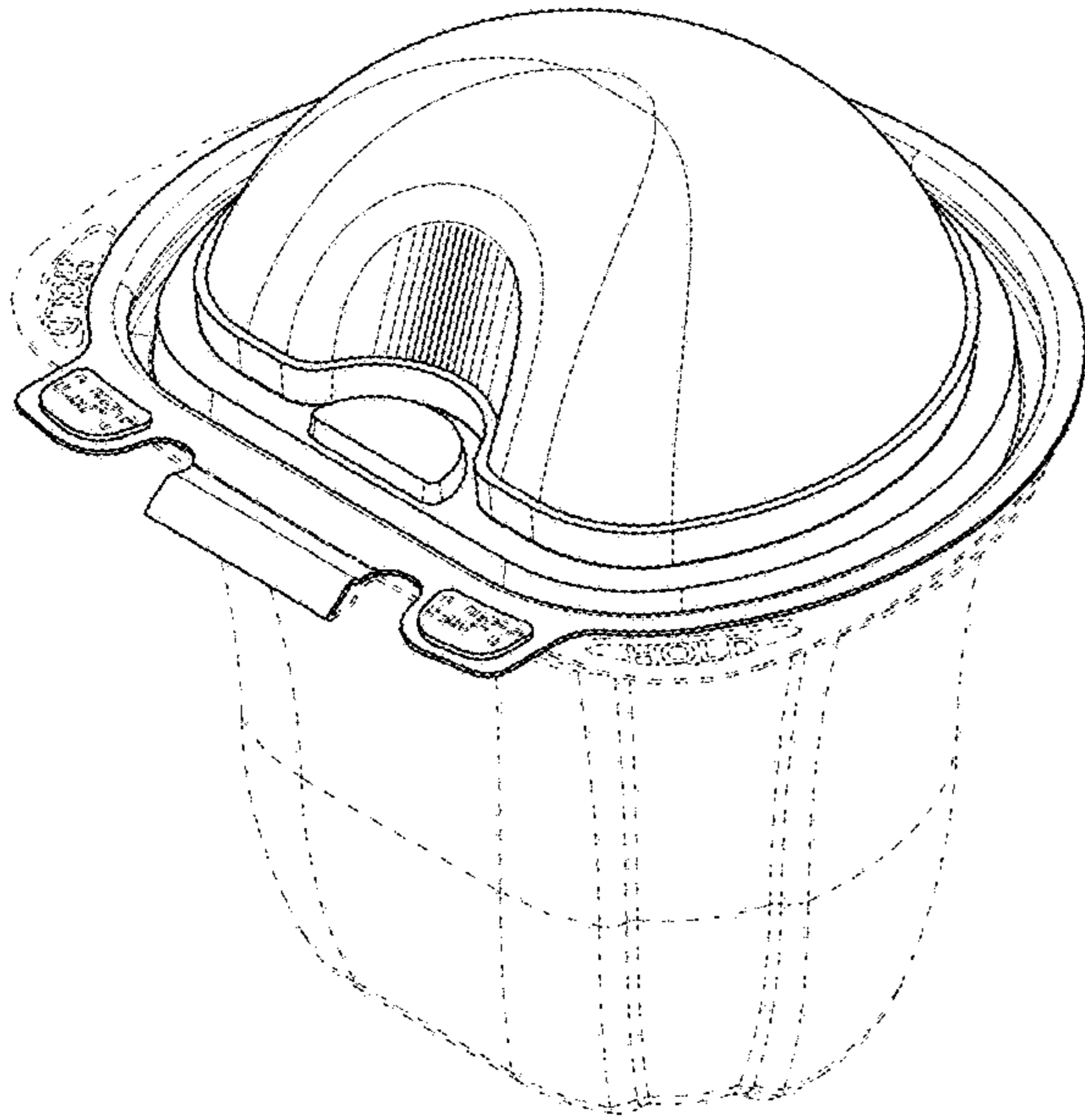
U.S. PATENT DOCUMENTS

D686,920	S	*	7/2013	Cassius	.....	D9/425
D692,751	S	*	11/2013	Mastronardi	.....	D9/427
D703,042	S	*	4/2014	Kalmanides	.....	D9/435
D703,043	S	*	4/2014	Kovitz	.....	D9/435
D737,677	S	*	9/2015	Yunker	.....	D9/428
D779,934	S	*	2/2017	Parikh	.....	D9/425
D795,058	S	*	8/2017	Buck	.....	D9/428
D795,688	S	*	8/2017	Buck	.....	D9/428
D796,324	S	*	9/2017	Buck	.....	D9/449
D807,167	S	*	1/2018	Joergensen	.....	D9/425
D818,832	S	*	5/2018	Caly	.....	D9/426
D818,833	S	*	5/2018	Caly	.....	D9/426
D825,346	S	*	8/2018	Caly	.....	D9/426
D828,760	S	*	9/2018	Caly	.....	D9/426
D843,206	S	*	3/2019	Sanders	.....	D9/428
D843,829	S	*	3/2019	Brown	.....	D9/425
D849,526	S	*	5/2019	Sanders	.....	D9/425
D850,934	S	*	6/2019	Castillo	.....	D9/761
2013/0119065	A1	*	5/2013	Buck	.....	B65D 51/28 220/523
2013/0200086	A1	*	8/2013	Miller	.....	A47G 19/22 220/709
2014/0030390	A1	*	1/2014	Coyle	.....	B65D 43/0212 426/108
2016/0128502	A1	*	5/2016	Buck	.....	A47G 19/2272 220/713

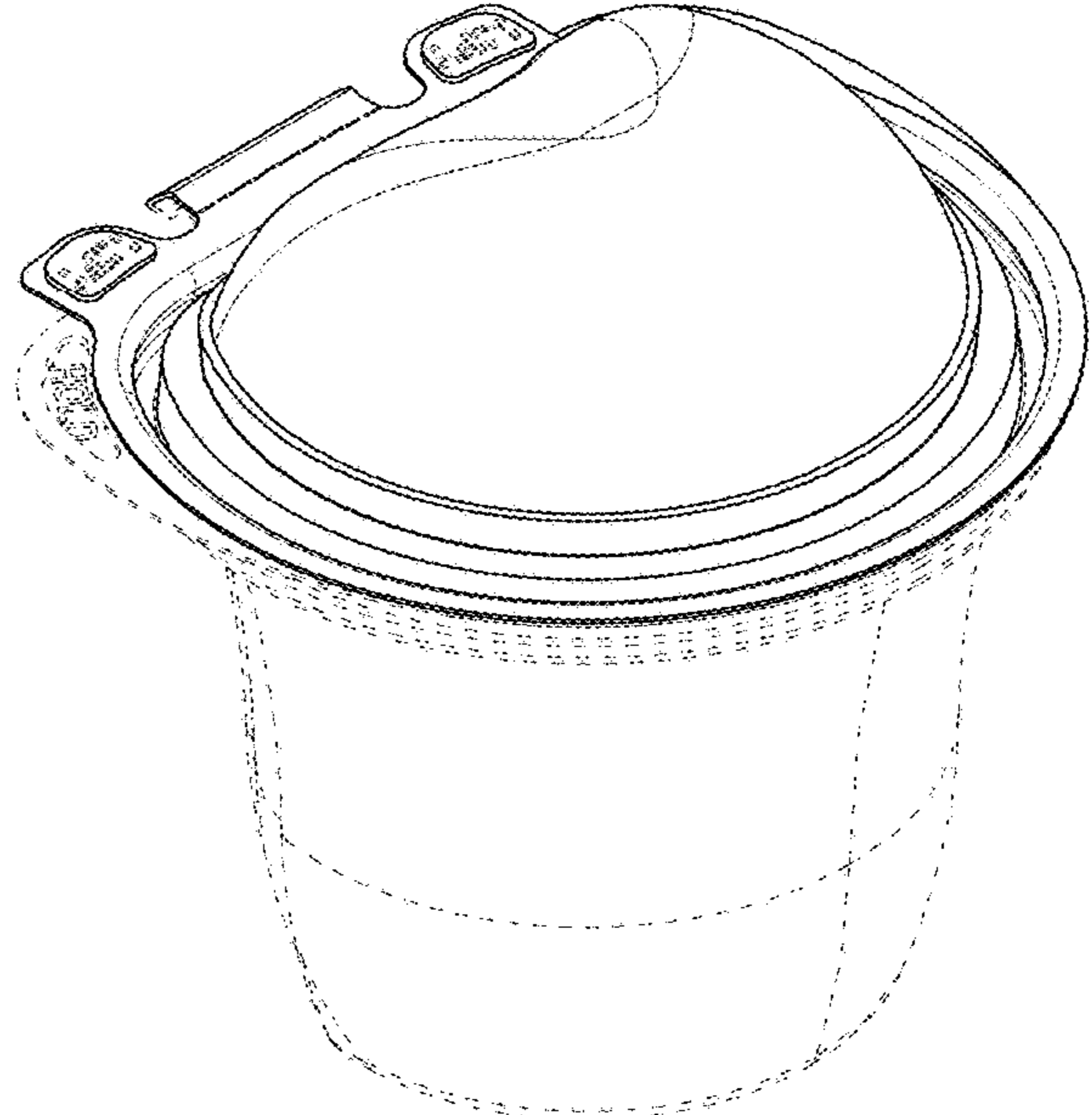
OTHER PUBLICATIONS

“Grab & Go Offerings”, InLine Plastics Corp., pp. 1-3, admitted prior art, accessed on and available at least as early as Feb. 6, 2020.  
 “Safe-T-Fresh® Snack Cups”, InLine Plastics Corp., admitted prior art, accessed on and available at least as early as Feb. 5, 2020.

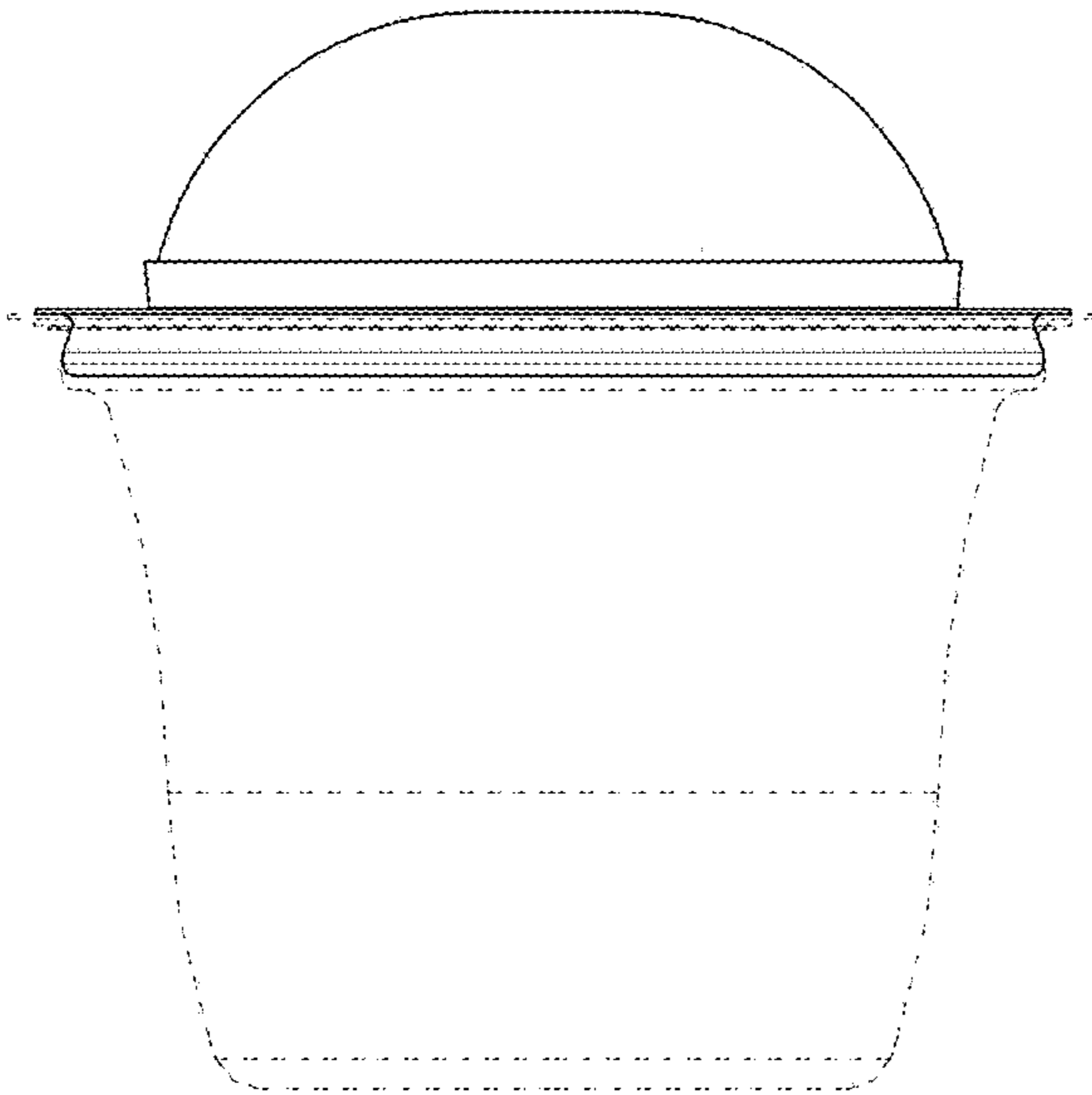
\* cited by examiner



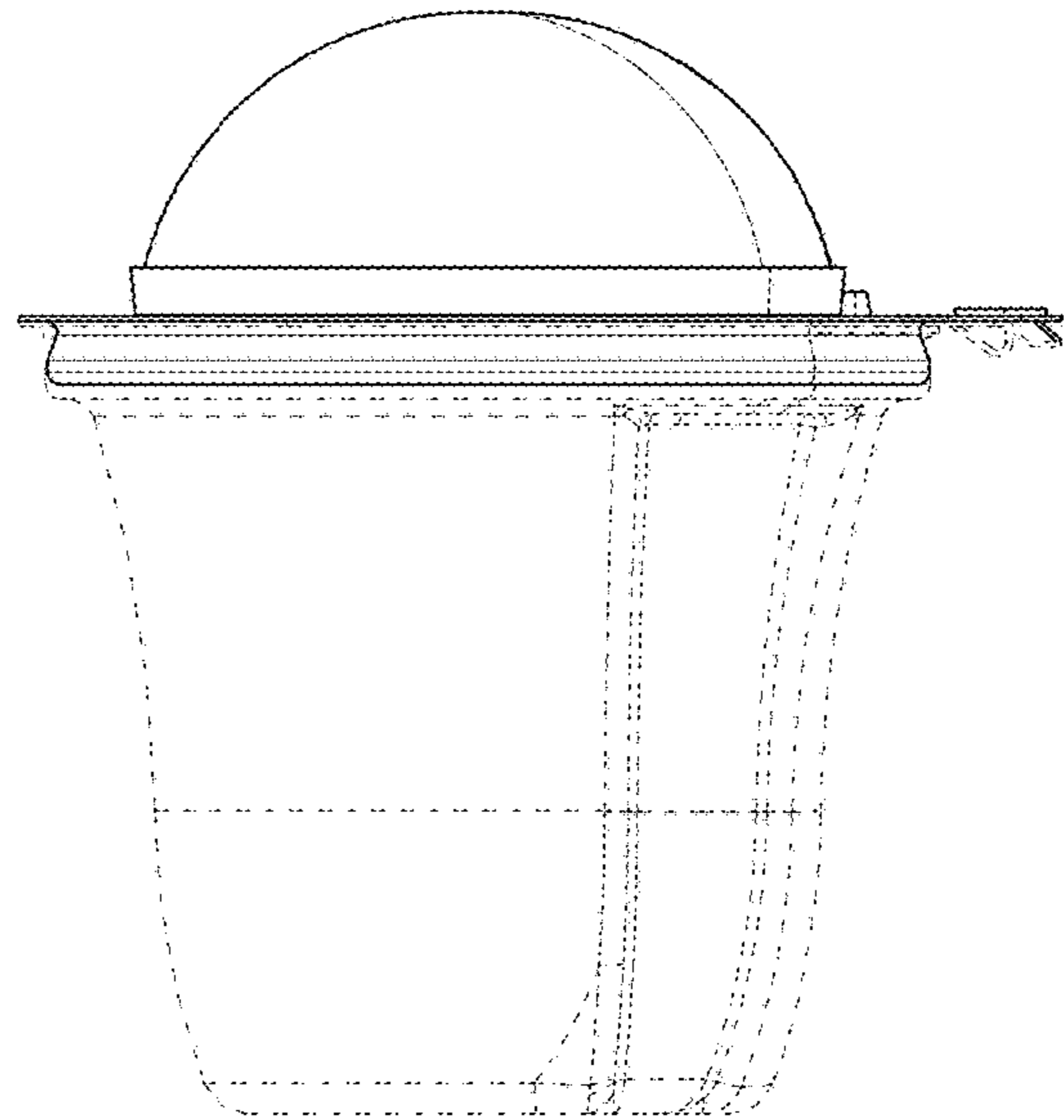
*Fig.1*



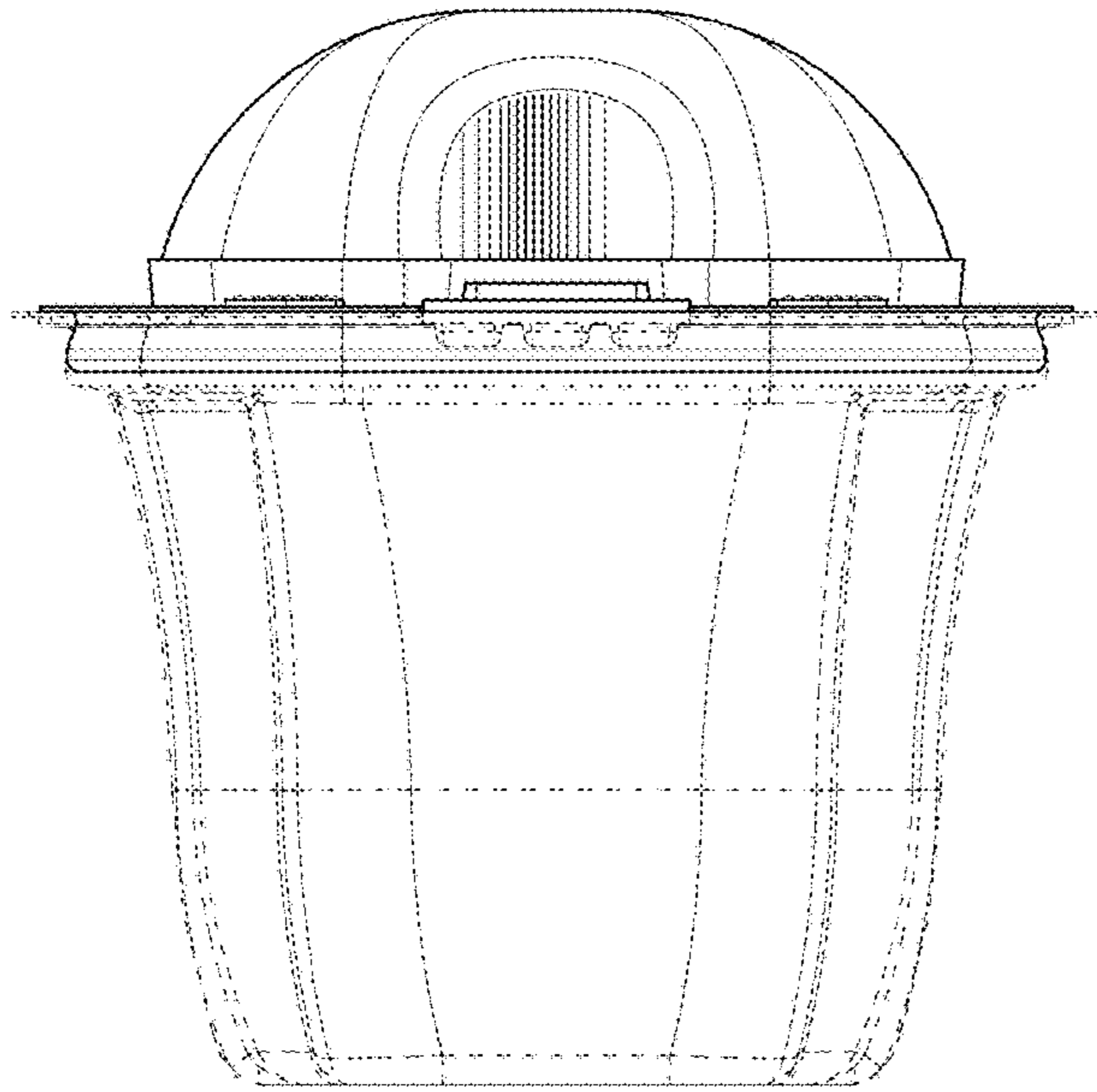
*Fig.2*



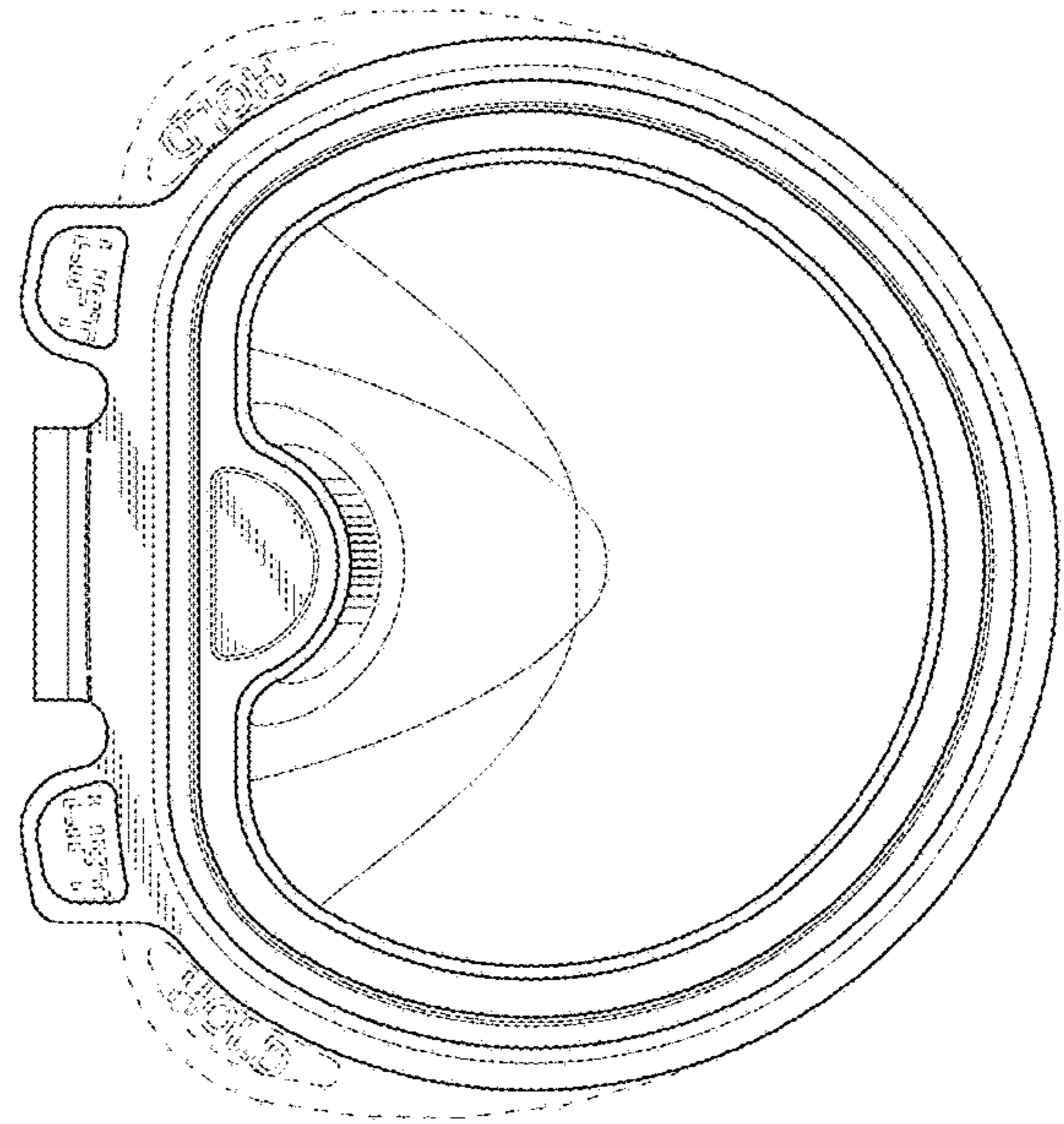
*Fig.3*



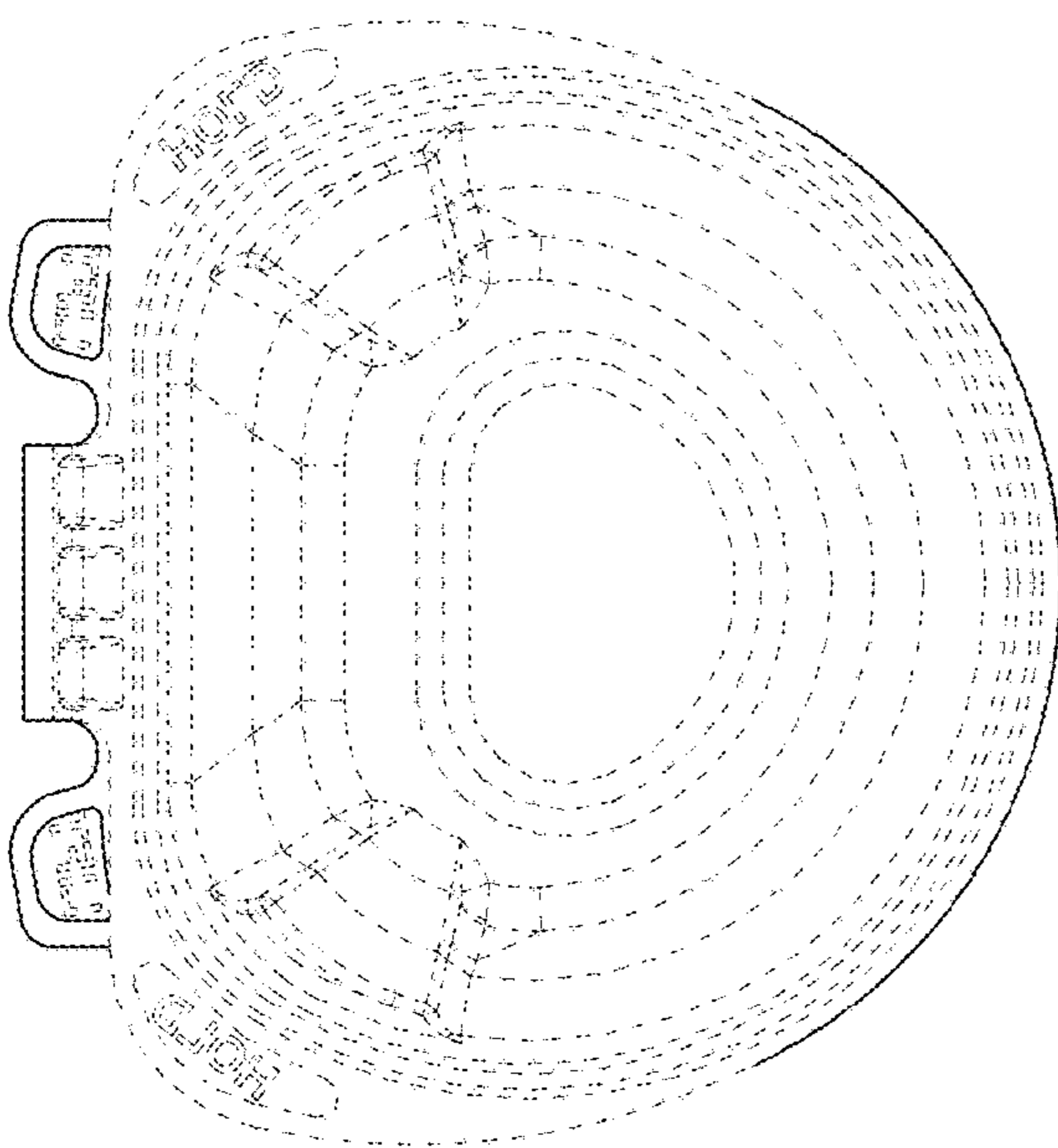
*Fig.4*



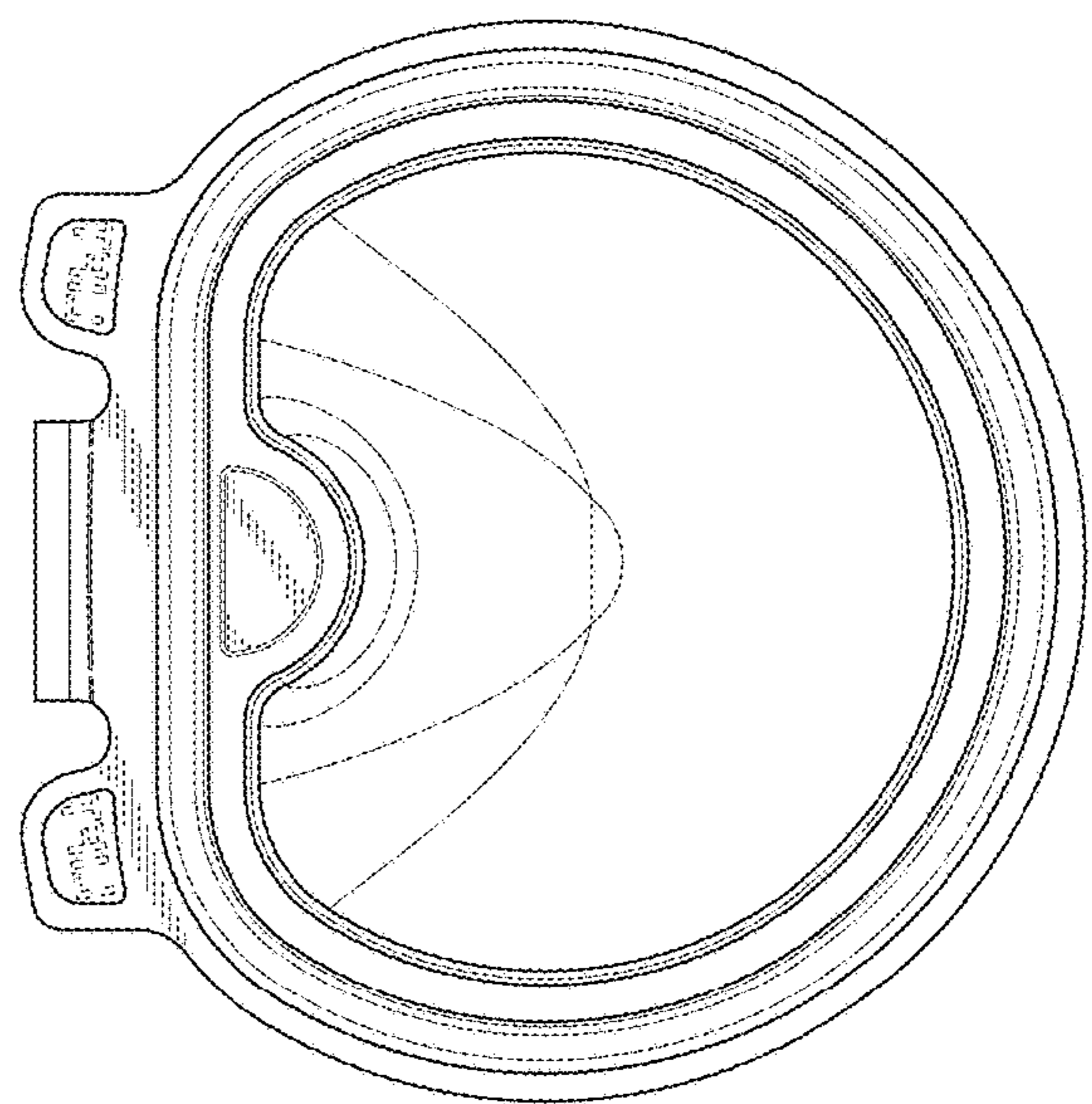
*Fig.5*



*Fig.6*



*Fig.7*



*Fig.8*