



US00D913088S

(12) **United States Design Patent**
McGrath

(10) **Patent No.:** **US D913,088 S**
(45) **Date of Patent:** **** Mar. 16, 2021**

(54) **COSMETIC BOX**

(71) Applicant: **Pat McGrath Cosmetics LLC**, New York, NY (US)

(72) Inventor: **Patricia McGrath**, New York, NY (US)

(73) Assignee: **Pat McGrath Cosmetics LLC**, New York, NY (US)

(**) Term: **15 Years**

(21) Appl. No.: **29/659,545**

(22) Filed: **Aug. 9, 2018**

(51) **LOC (13) Cl.** **09-03**

(52) **U.S. Cl.**
USPC **D9/420; D9/432**

(58) **Field of Classification Search**
USPC D9/414, 415, 416, 432, 433, 715, 721
CPC B65D 5/22; B65D 5/4245;
B65D 2571/0066; B65D 5/6652; B65D
25/04; B65D 5/42; B65D 5/4279; B65D
5/28; B65D 85/00; B65D 5/4233; B65D
5/425; B65D 5/4216; B65D 63/10; B65D
55/06; B65D 5/6611; B65D 21/0204;
B65D 21/0208

See application file for complete search history.

(56) **References Cited**

U.S. PATENT DOCUMENTS

1,756,356 A * 4/1930 Hill B65D 5/6611
24/127
2,104,828 A * 1/1938 Brinnon B65D 5/48048
206/278

(Continued)

Primary Examiner — Lauren R Calve

(74) *Attorney, Agent, or Firm* — Ziegler IP Law Group, LLC

(57) **CLAIM**

The ornamental design for a cosmetic box, as shown and described.

DESCRIPTION

The patent or application file contains at least one drawing executed in color. Copies of this patent or patent application publication with color drawing(s) will be provided by the Office upon request and payment of the necessary fee.

FIG. 1 is a perspective view of a cosmetic box showing the new design;

FIG. 2 is a perspective view of the cosmetic box in a first partially open state;

FIG. 3 is a perspective view of the cosmetic box in a second partially open state;

FIG. 4 is a top perspective view of the cosmetic box in an open state;

FIG. 5 is a front side view thereof;

FIG. 6 is a back side view thereof;

FIG. 7 is a top view thereof;

FIG. 8 is a bottom view thereof;

FIG. 9 is a side view thereof;

FIG. 10 is an opposite side view thereof;

FIG. 11 is another embodiment of the back side view of the cosmetic box of FIG. 1;

FIG. 12 is a left side perspective view of a cosmetic box in a first partially open state showing the new design according to a third embodiment;

FIG. 13 is a right side perspective view thereof;

FIG. 14 is a perspective view of a cosmetic box of FIG. 12 shown in a closed state;

FIG. 15 is a side view thereof;

FIG. 16 is an opposite side view thereof;

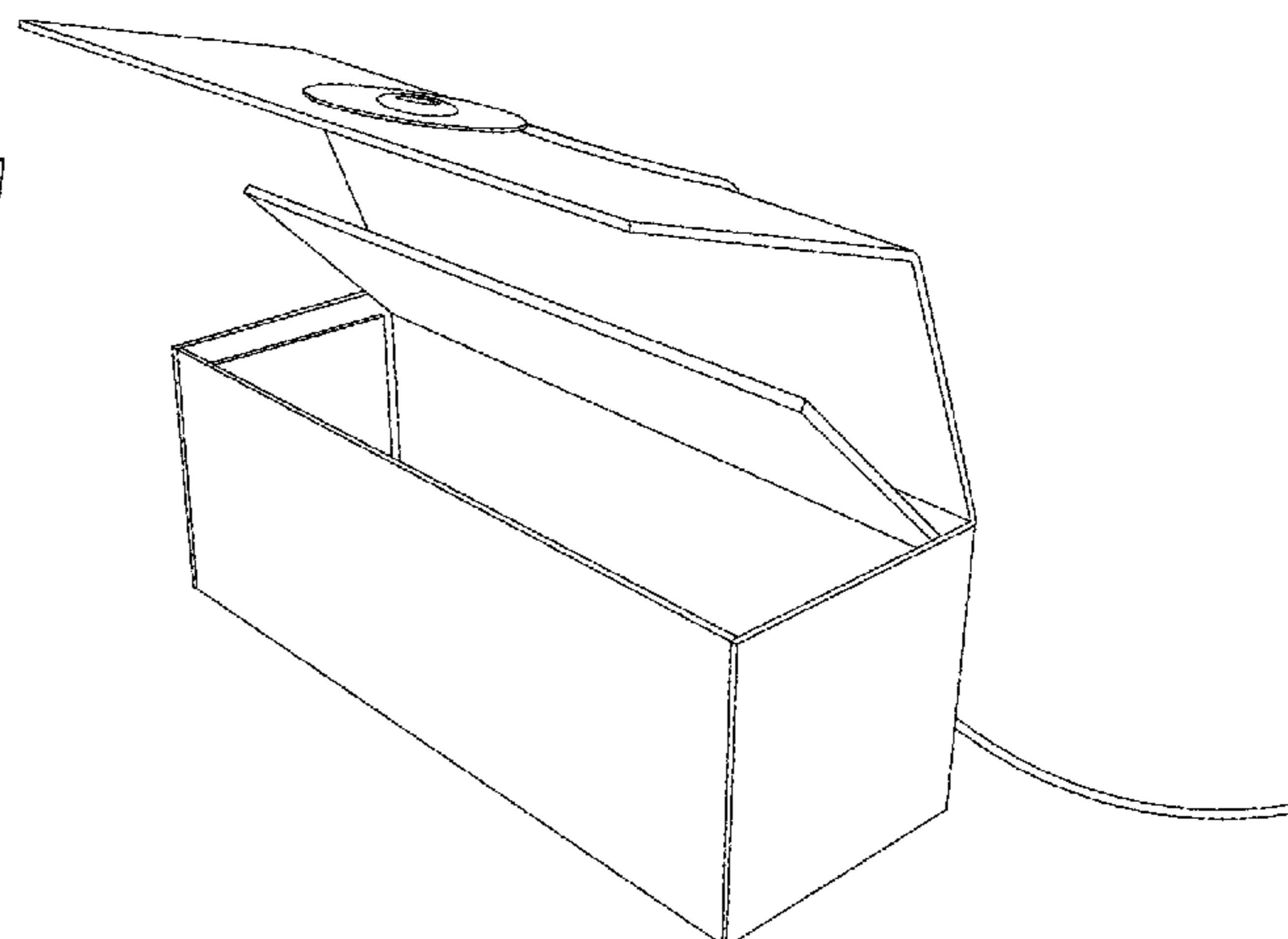
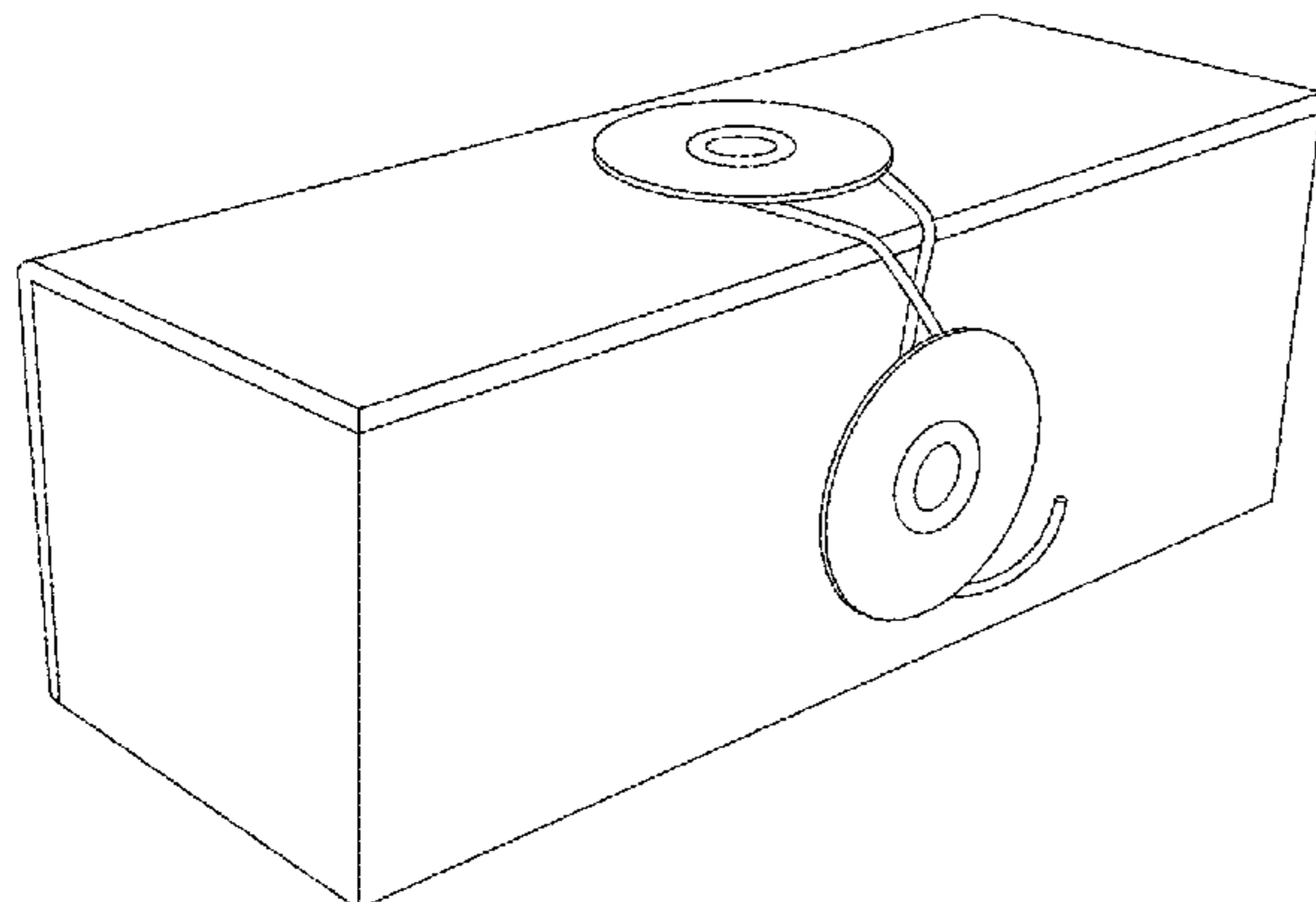
FIG. 17 is a bottom view thereof;

FIG. 18 is a top view thereof;

FIG. 19 is a back side view thereof; and,

FIG. 20 is a front side view thereof.

1 Claim, 20 Drawing Sheets
(9 of 20 Drawing Sheet(s) Filed in Color)



(56)

References Cited

U.S. PATENT DOCUMENTS

2,339,691 A * 1/1944 Fellowes B42F 17/02
229/125.38
5,007,580 A * 4/1991 Morrison B65D 5/18
229/117.17
8,196,806 B2 * 6/2012 Tao B65D 5/324
229/122.26
D687,295 S * 8/2013 Park D9/420
D721,575 S * 1/2015 Paboojian D9/423
D874,267 S * 2/2020 Perella D9/432
2007/0221716 A1 * 9/2007 Tao B65D 5/22
229/141
2007/0227929 A1 * 10/2007 Mauerhan A45C 13/30
206/488
2011/0204129 A1 * 8/2011 Conroy B65D 5/4204
229/126
2013/0161377 A1 * 6/2013 Nebeker B65D 5/322
229/116.5

* cited by examiner

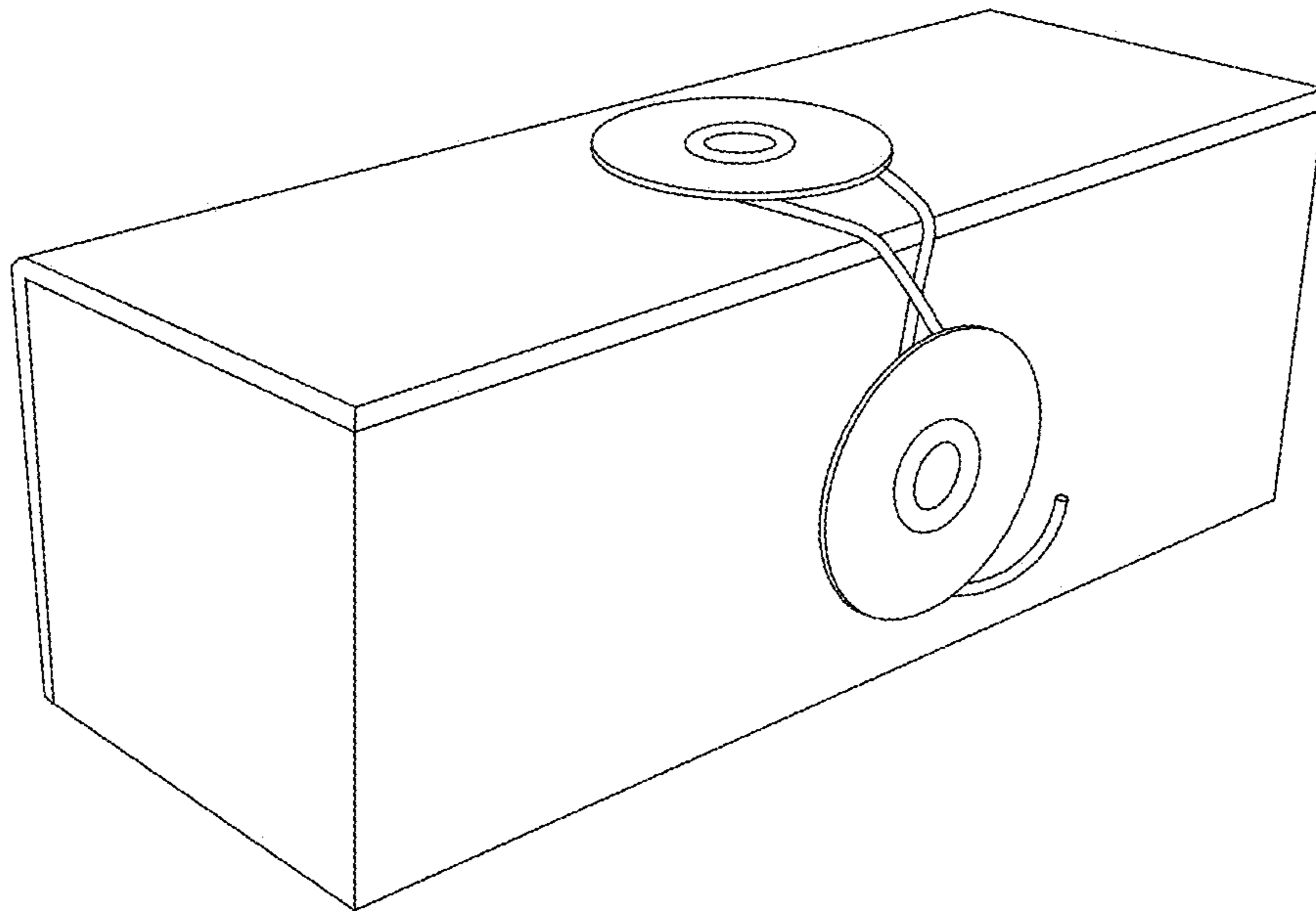


FIG. 1

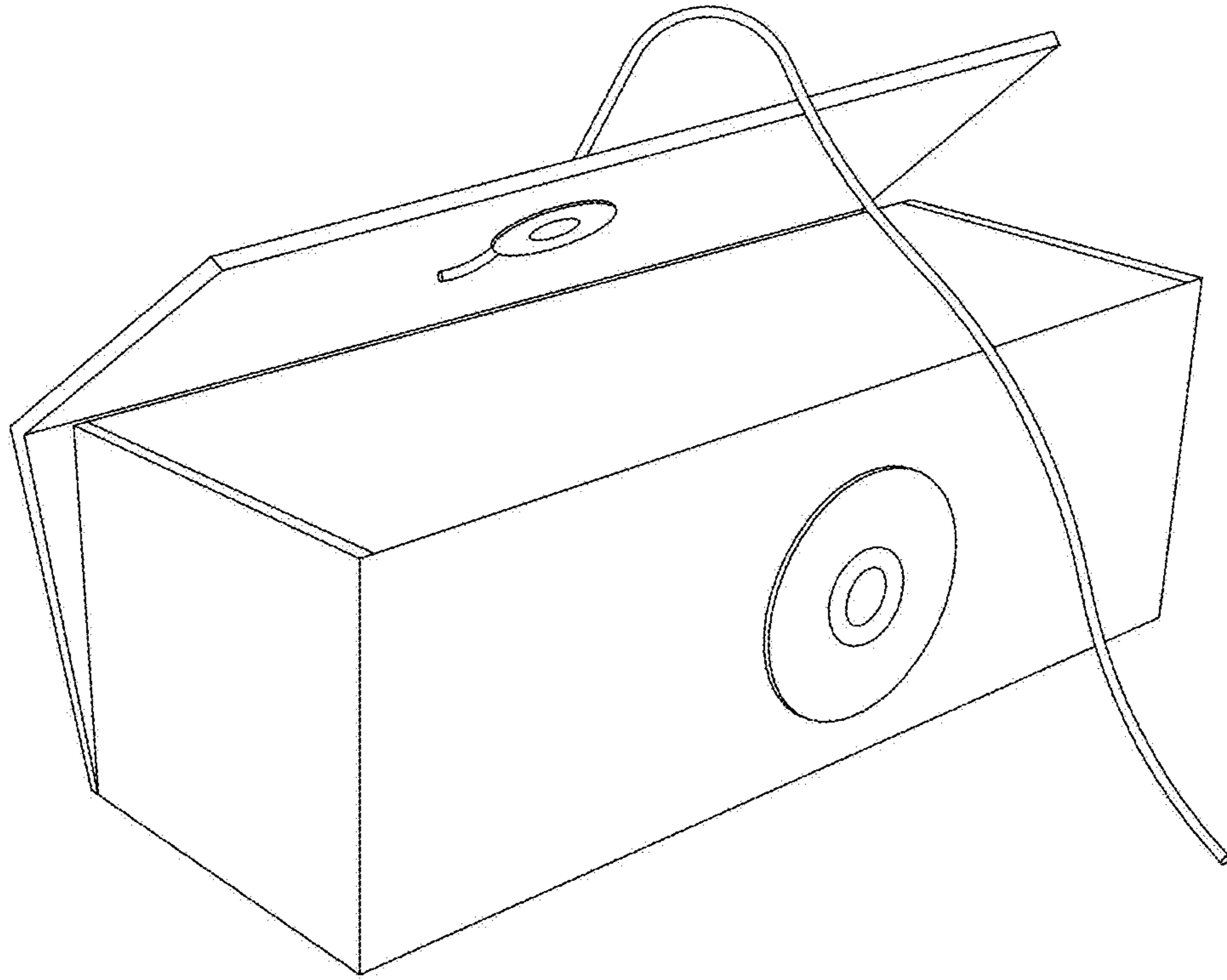


FIG. 2

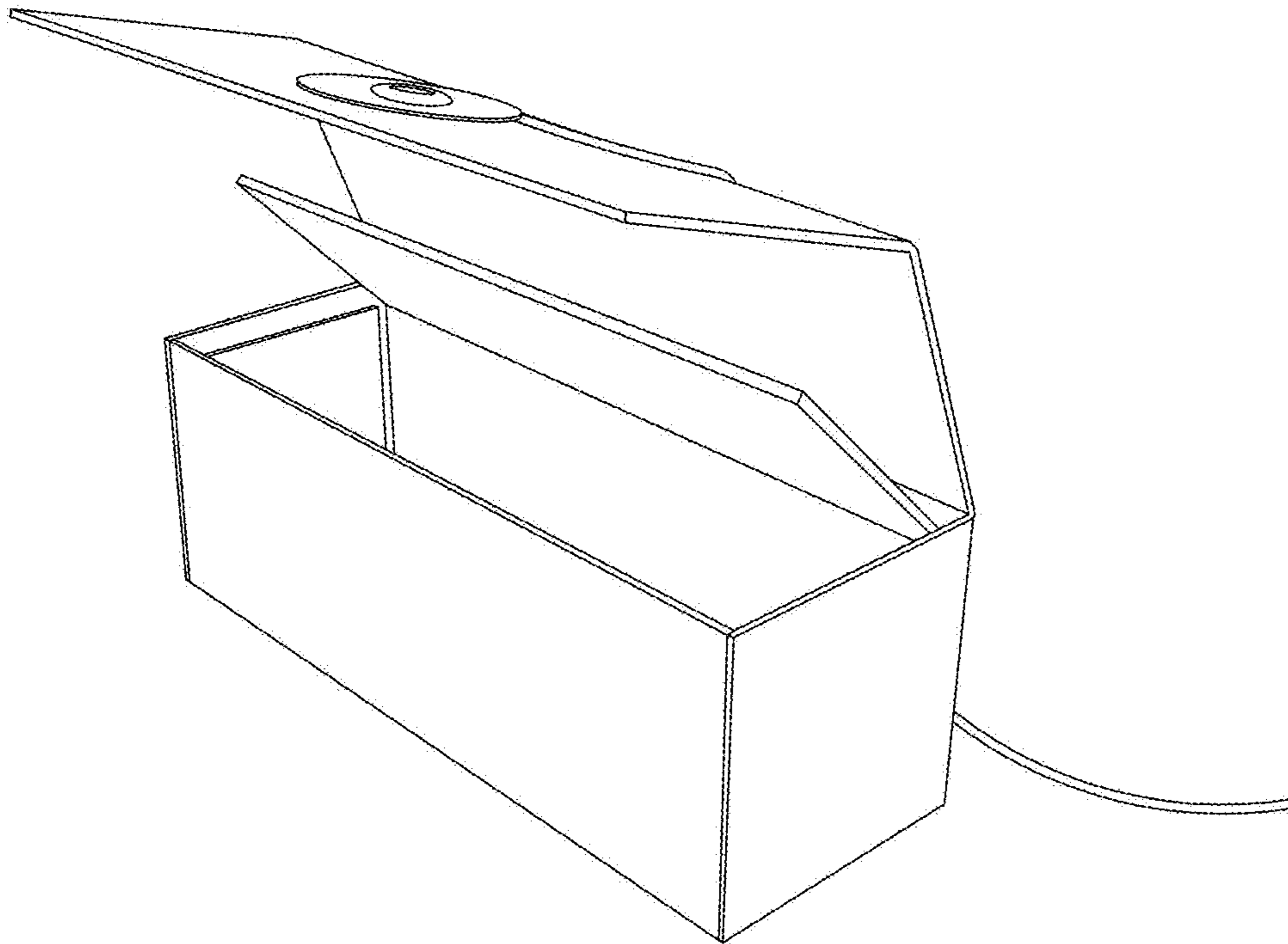


FIG. 3

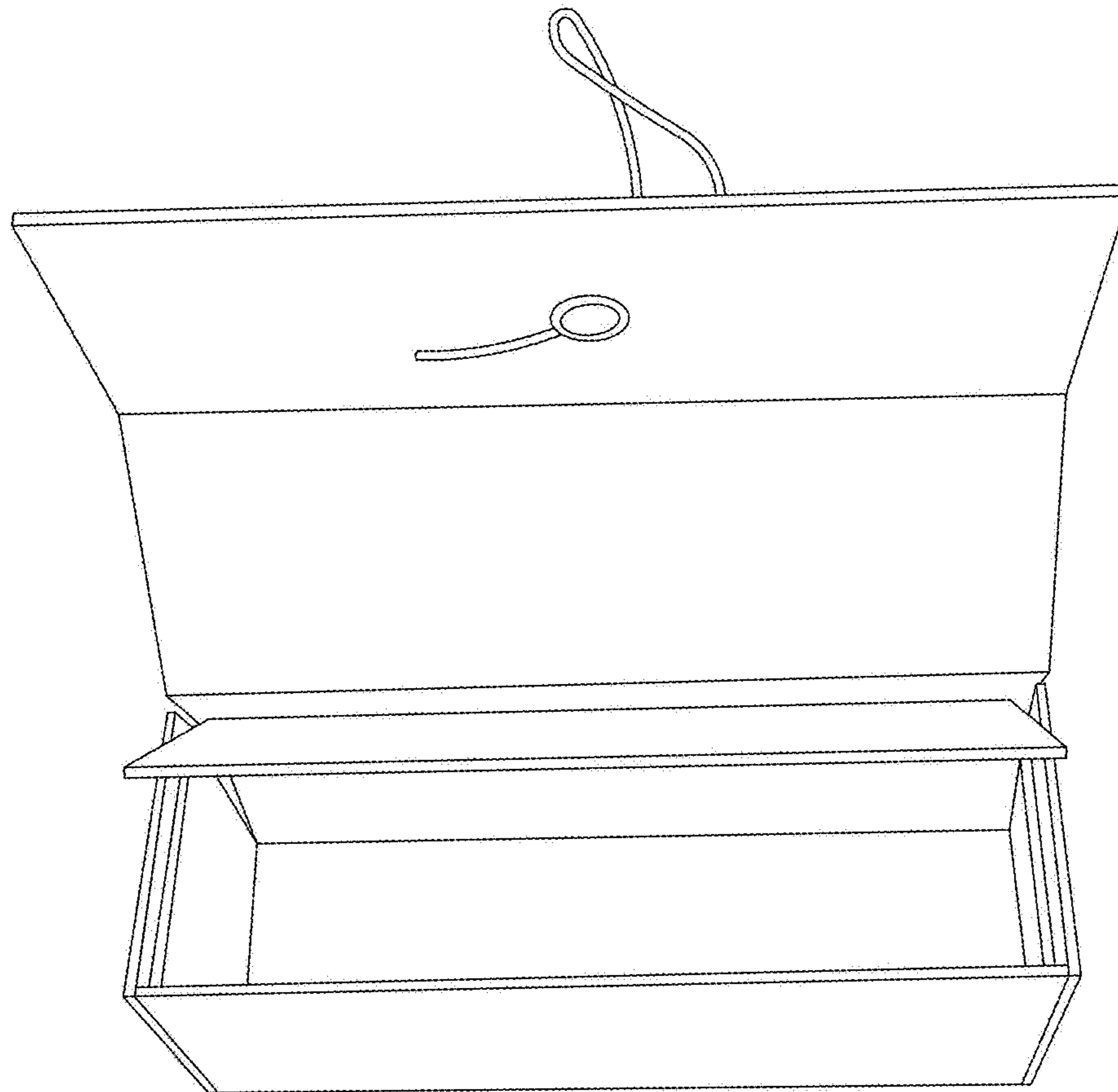


FIG. 4

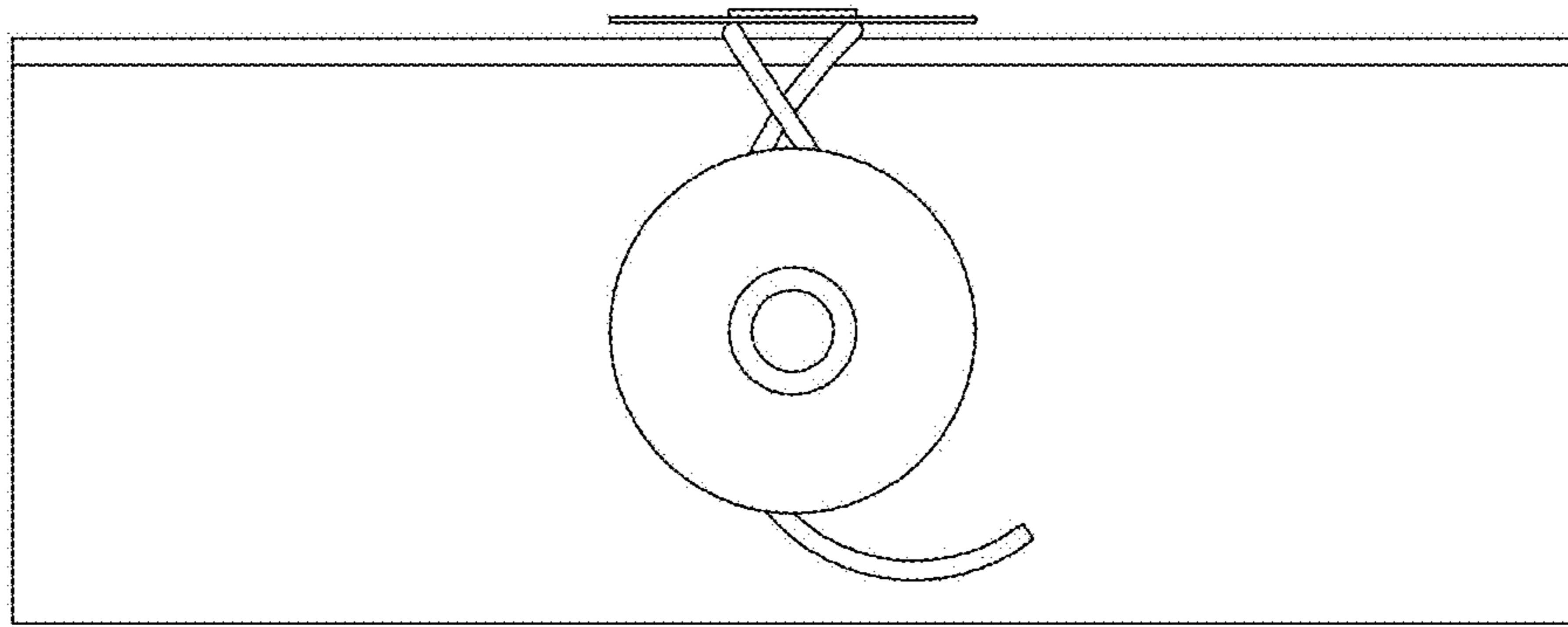


FIG. 5

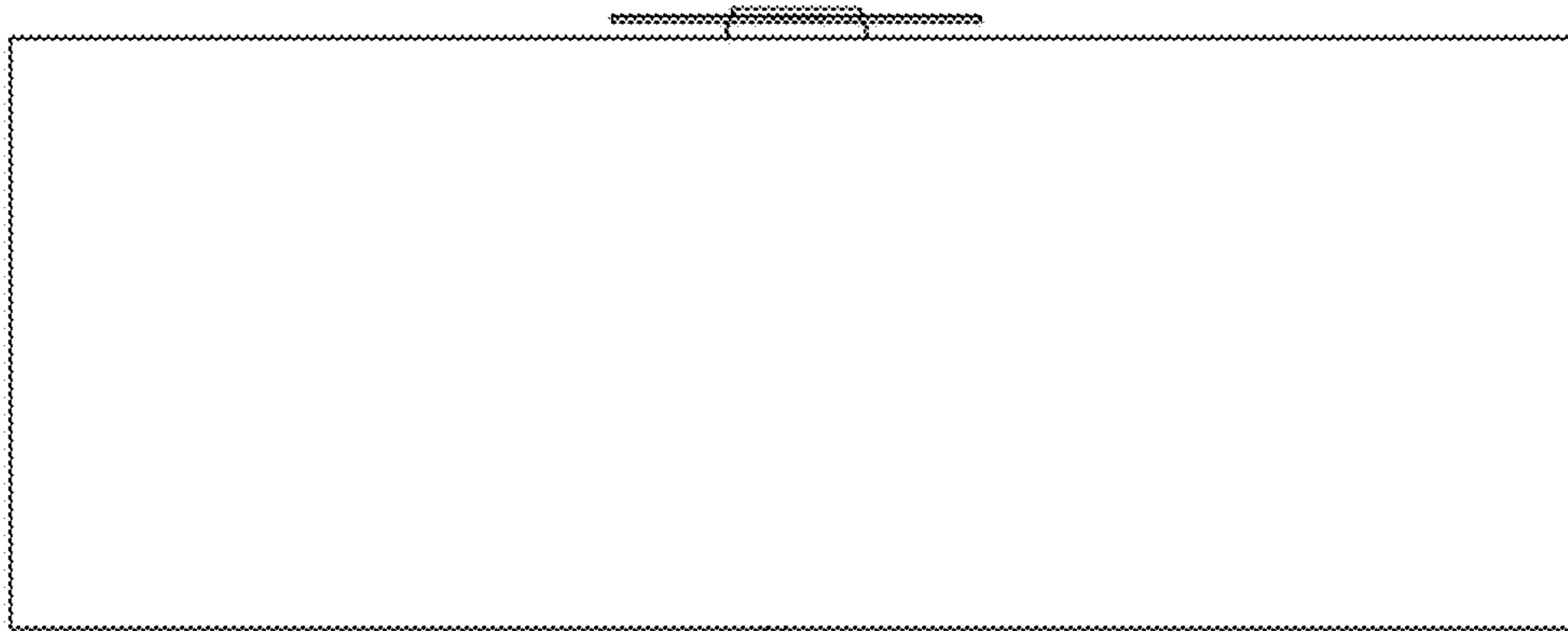


FIG. 6

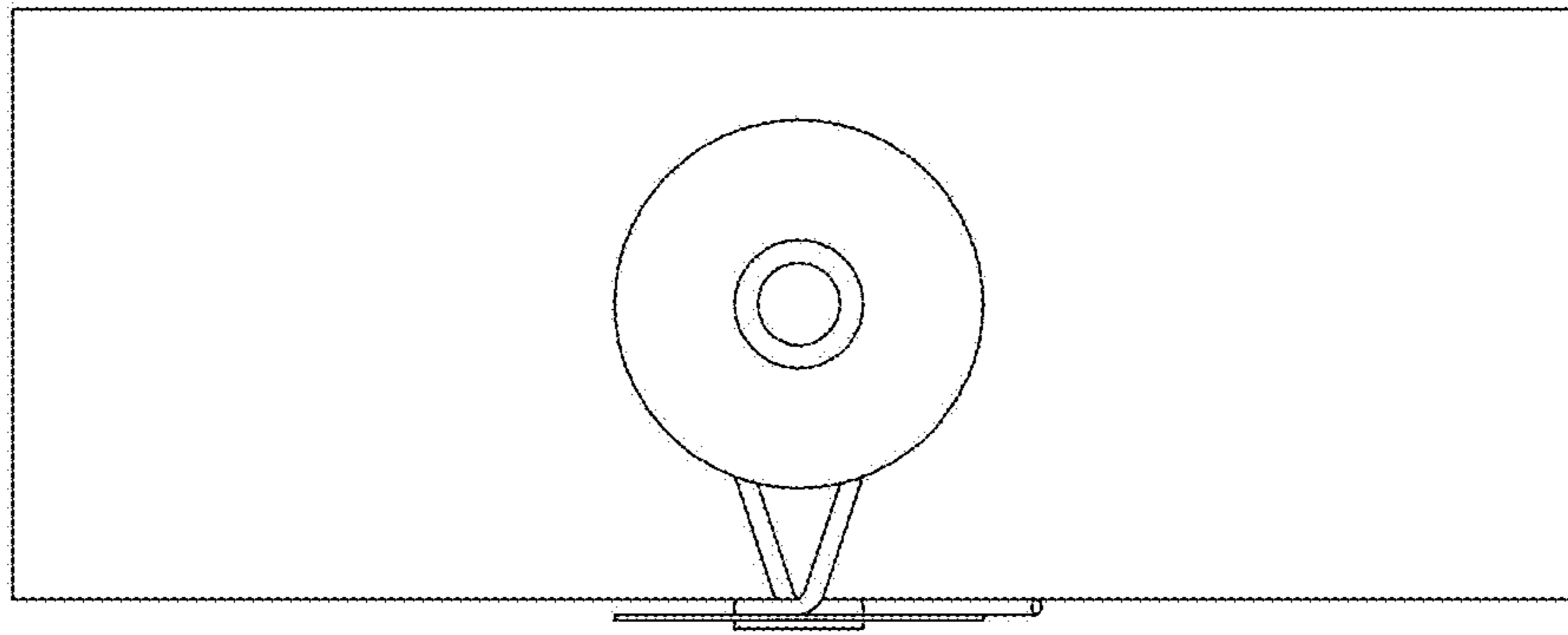


FIG. 7

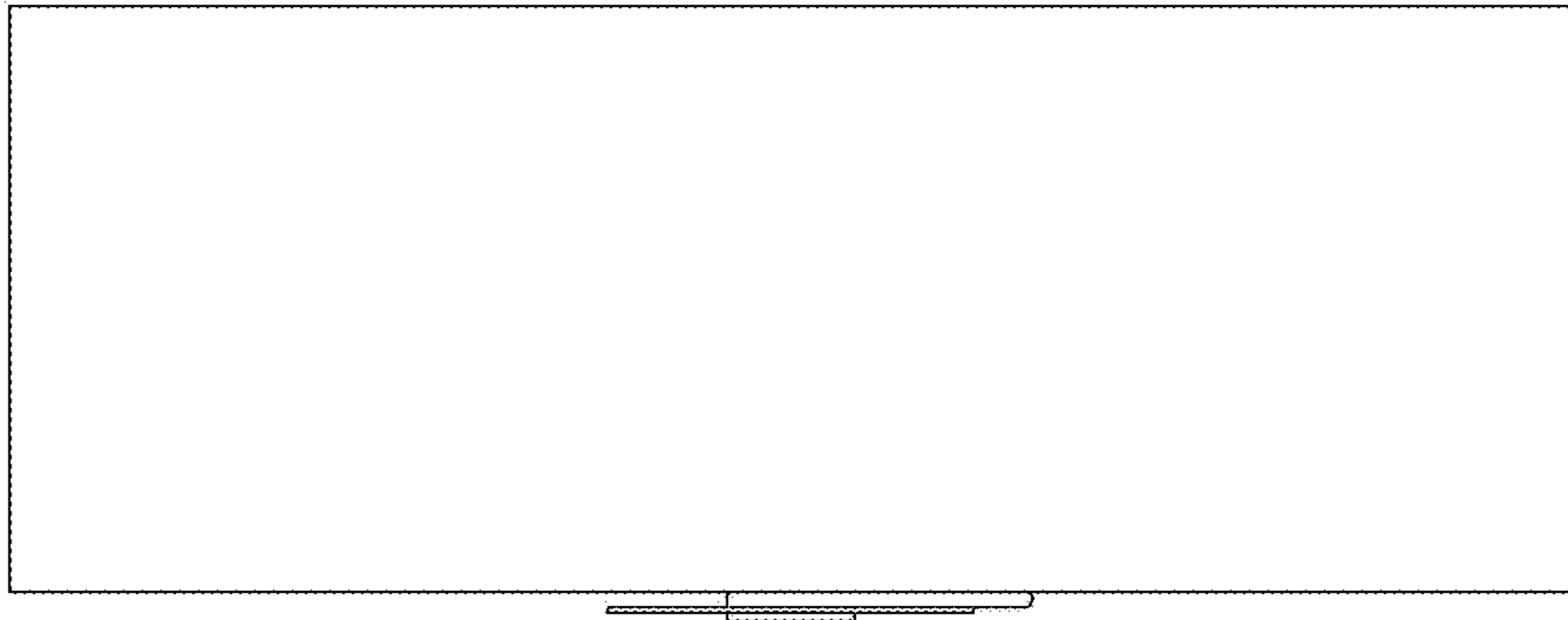


FIG. 8

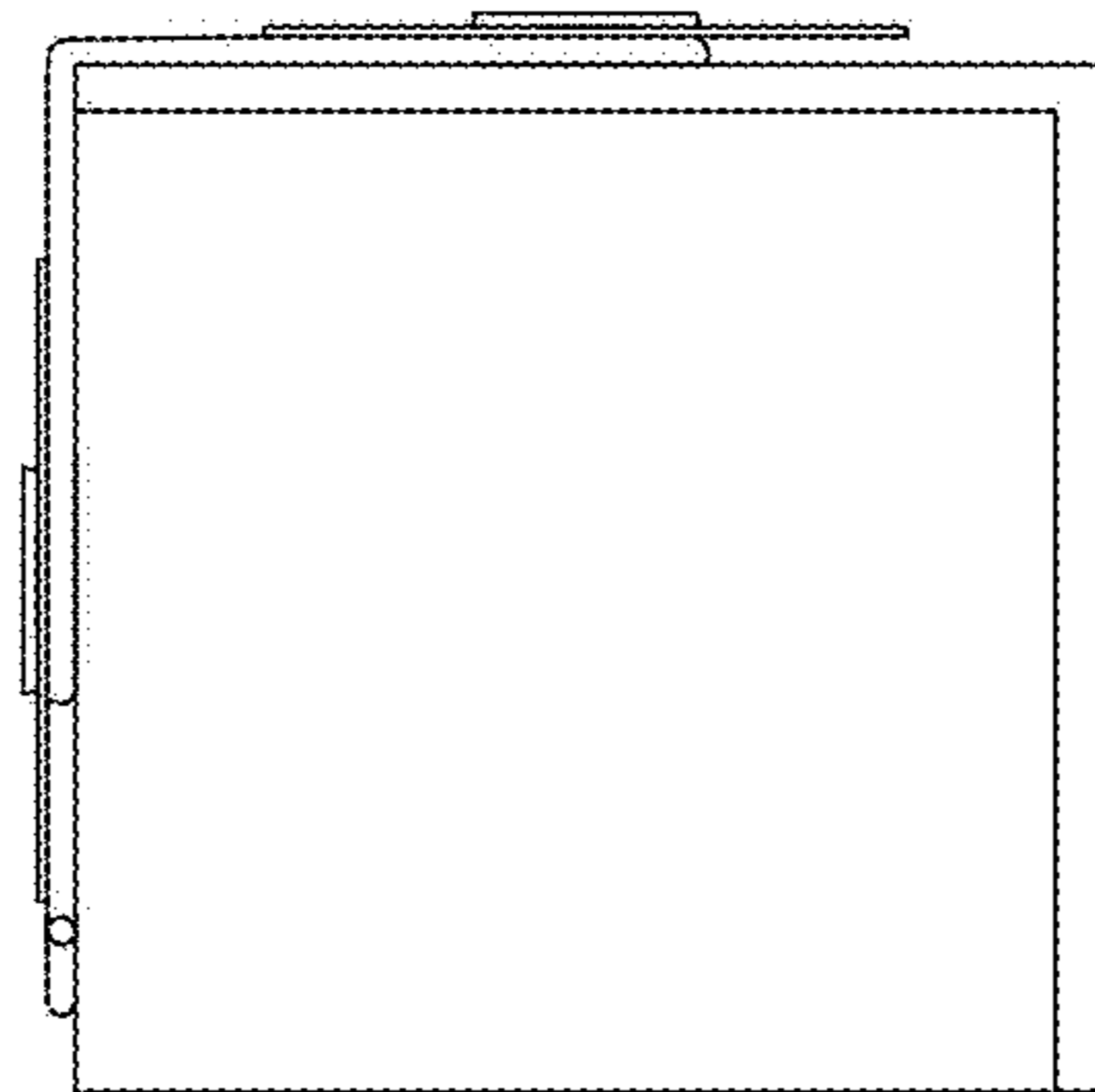


FIG. 9

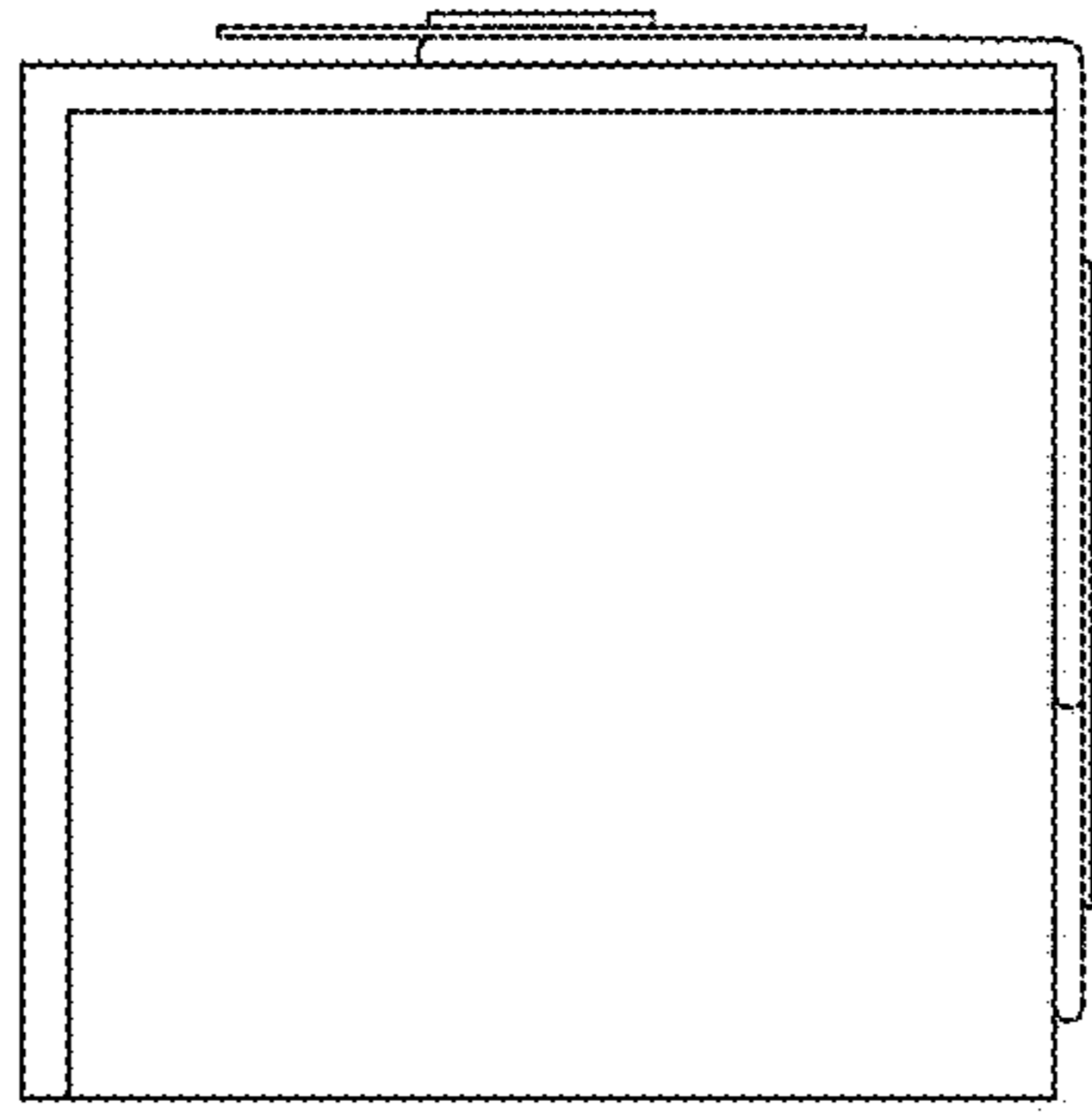


FIG. 10

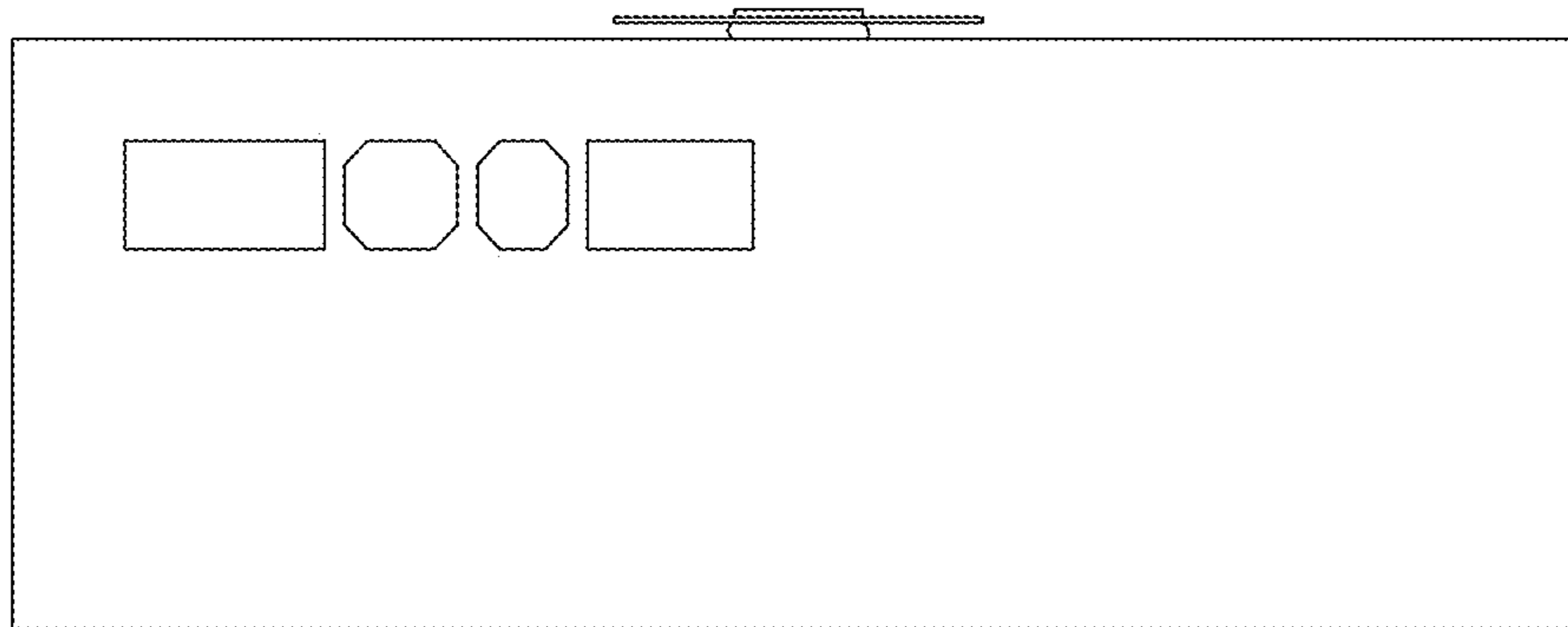


FIG. 11



FIG. 12



FIG. 13

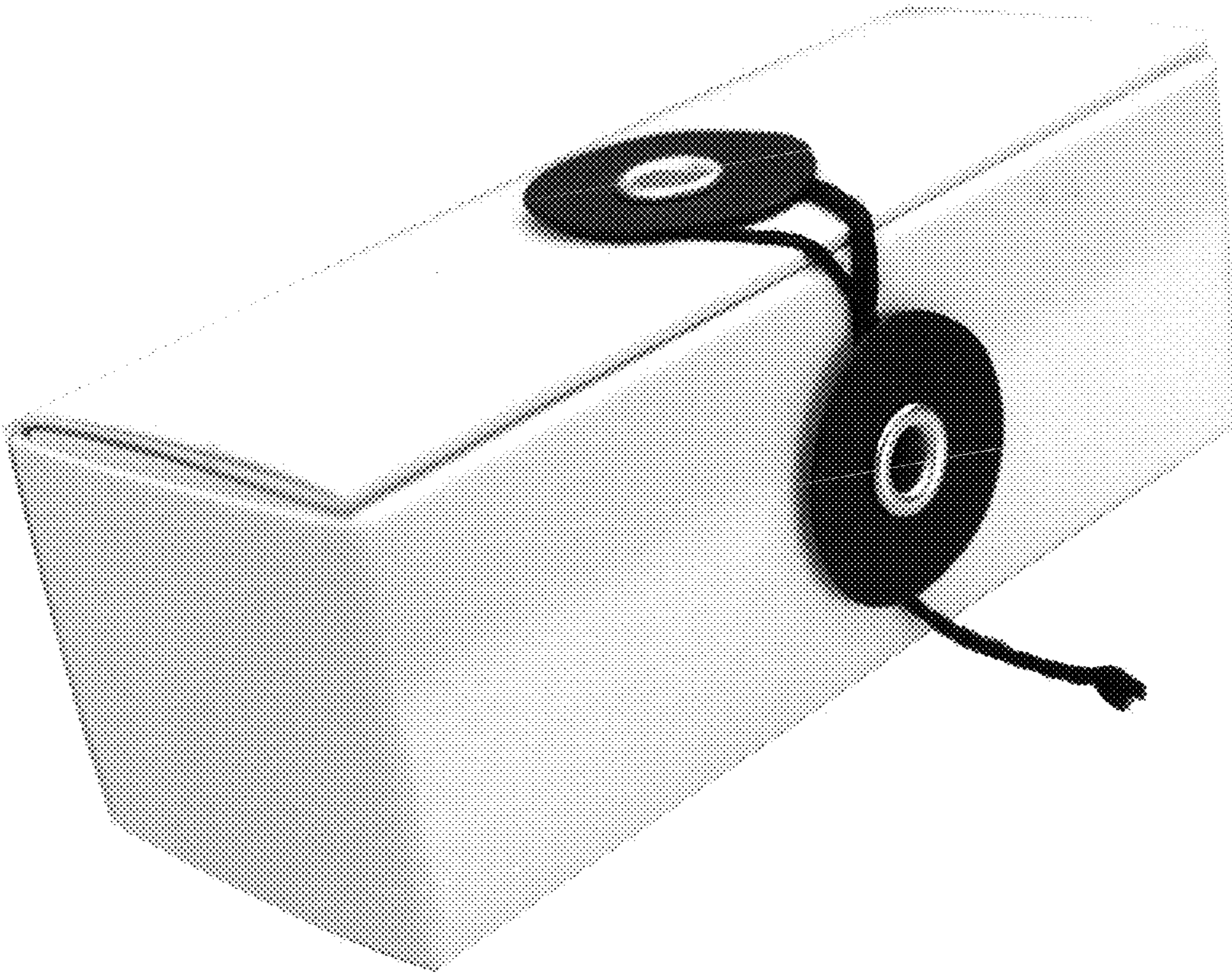


FIG. 14

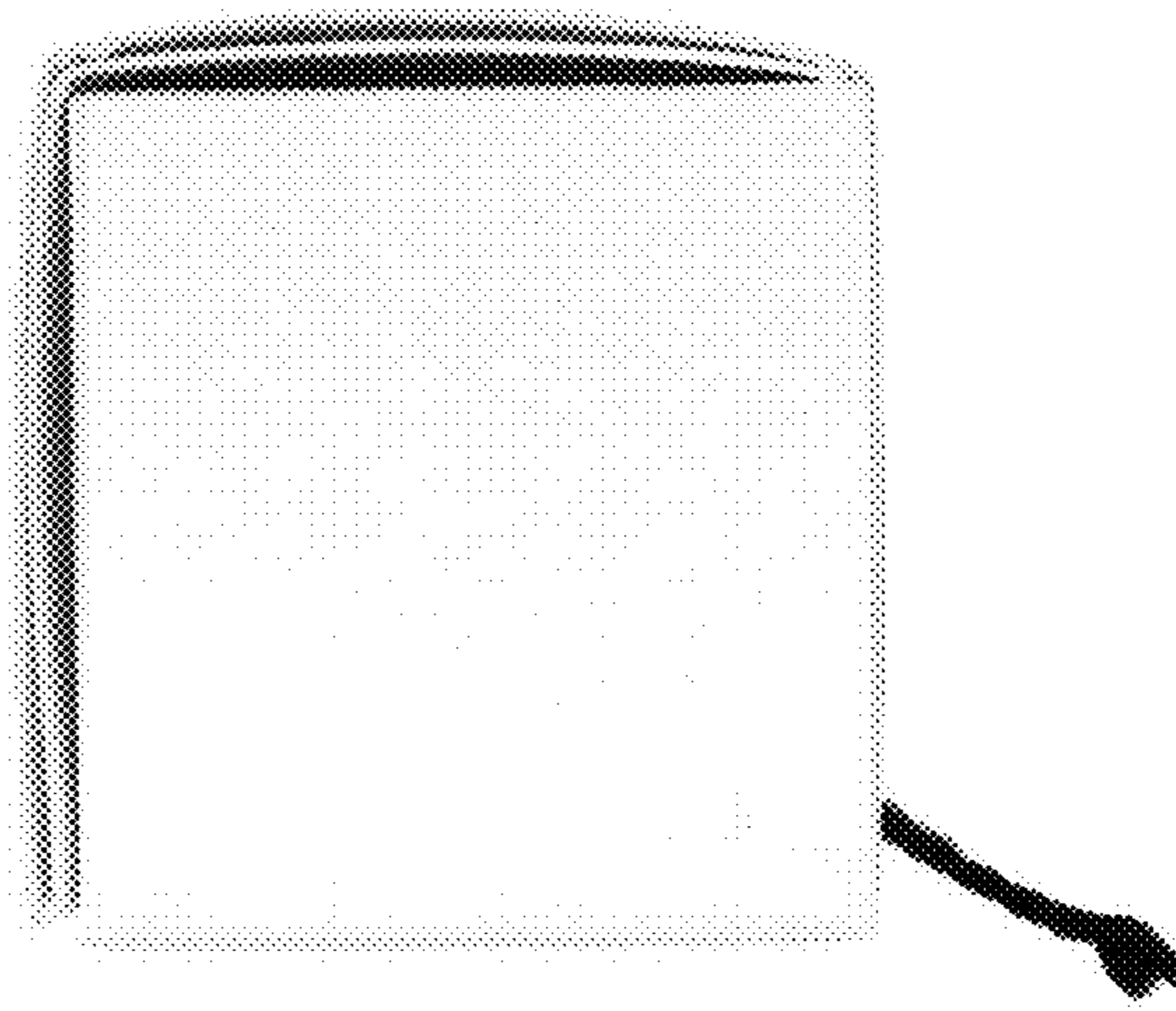


FIG. 15

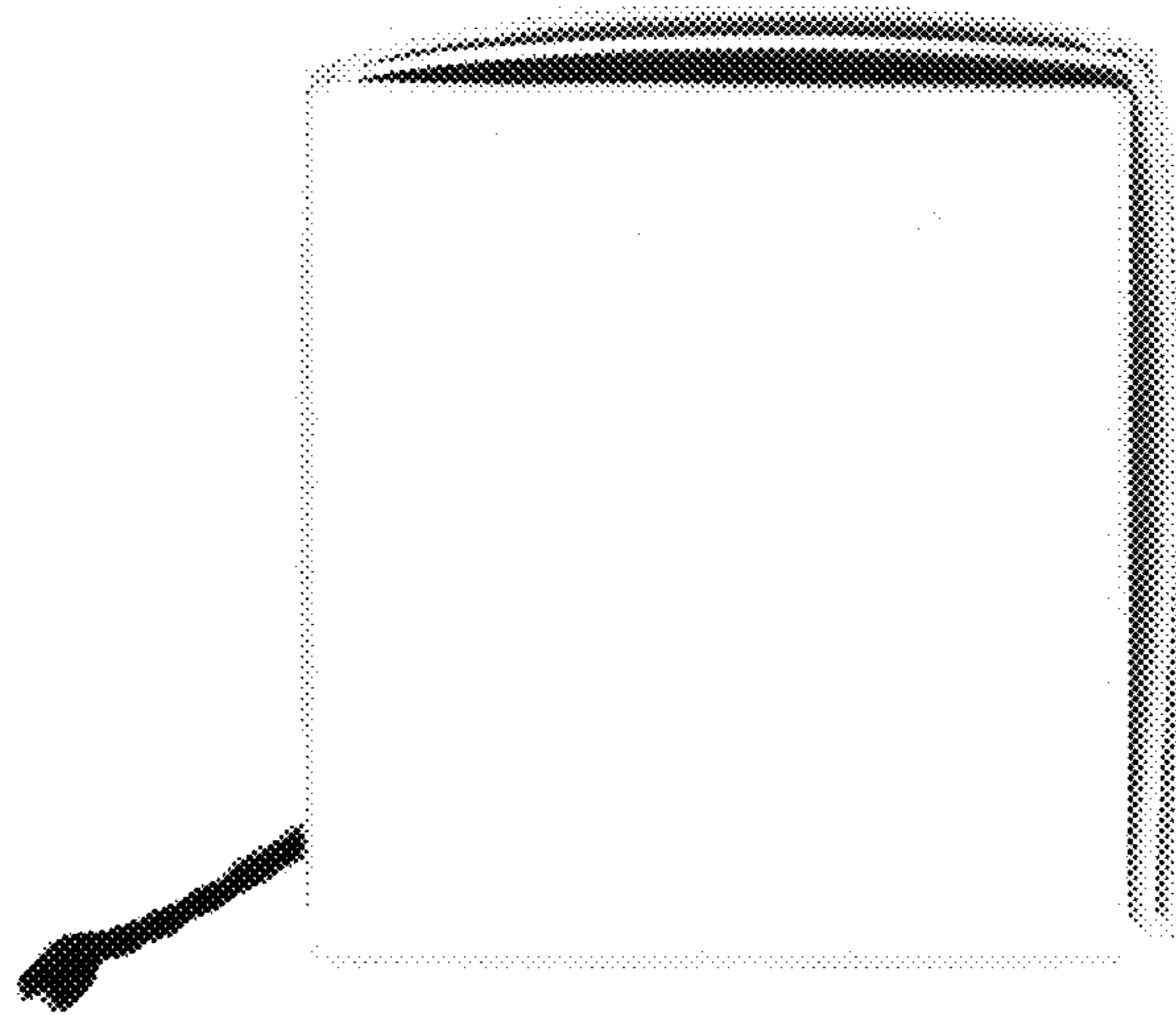


FIG. 16

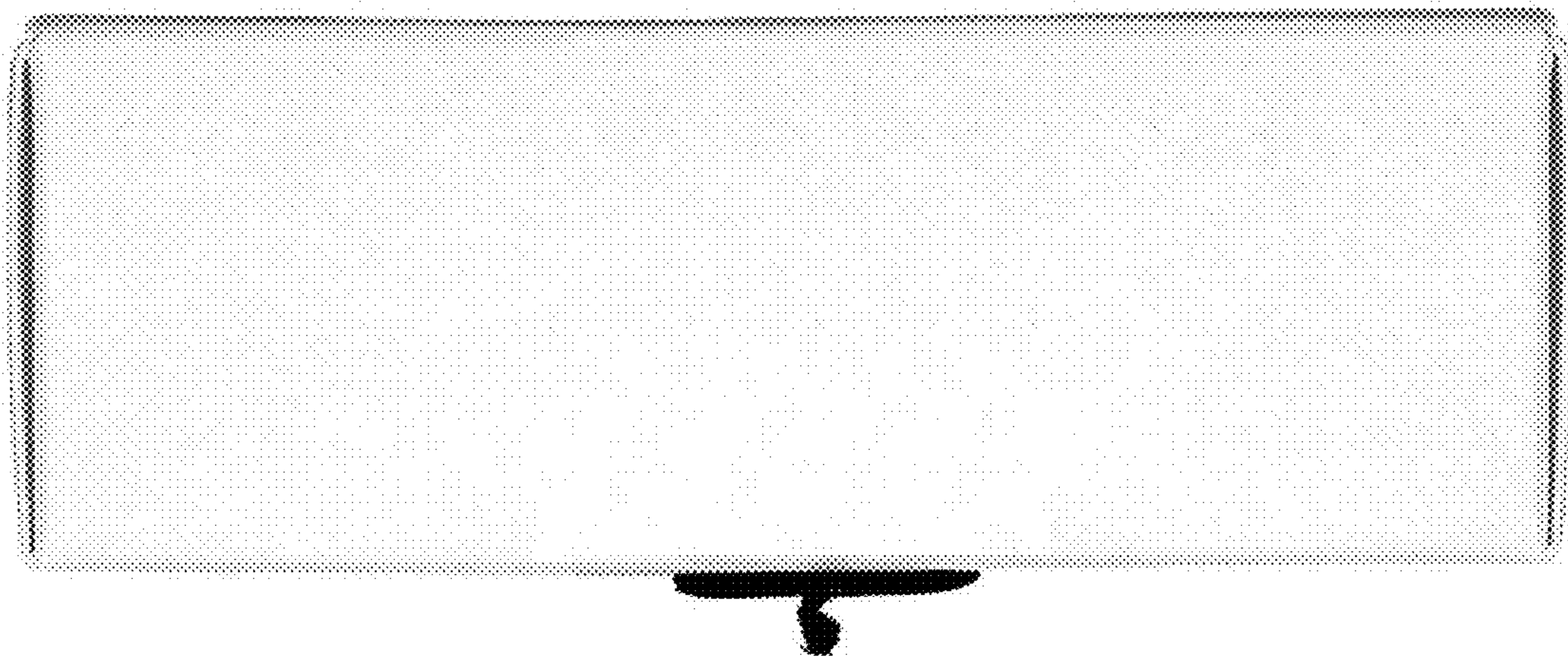


FIG. 17

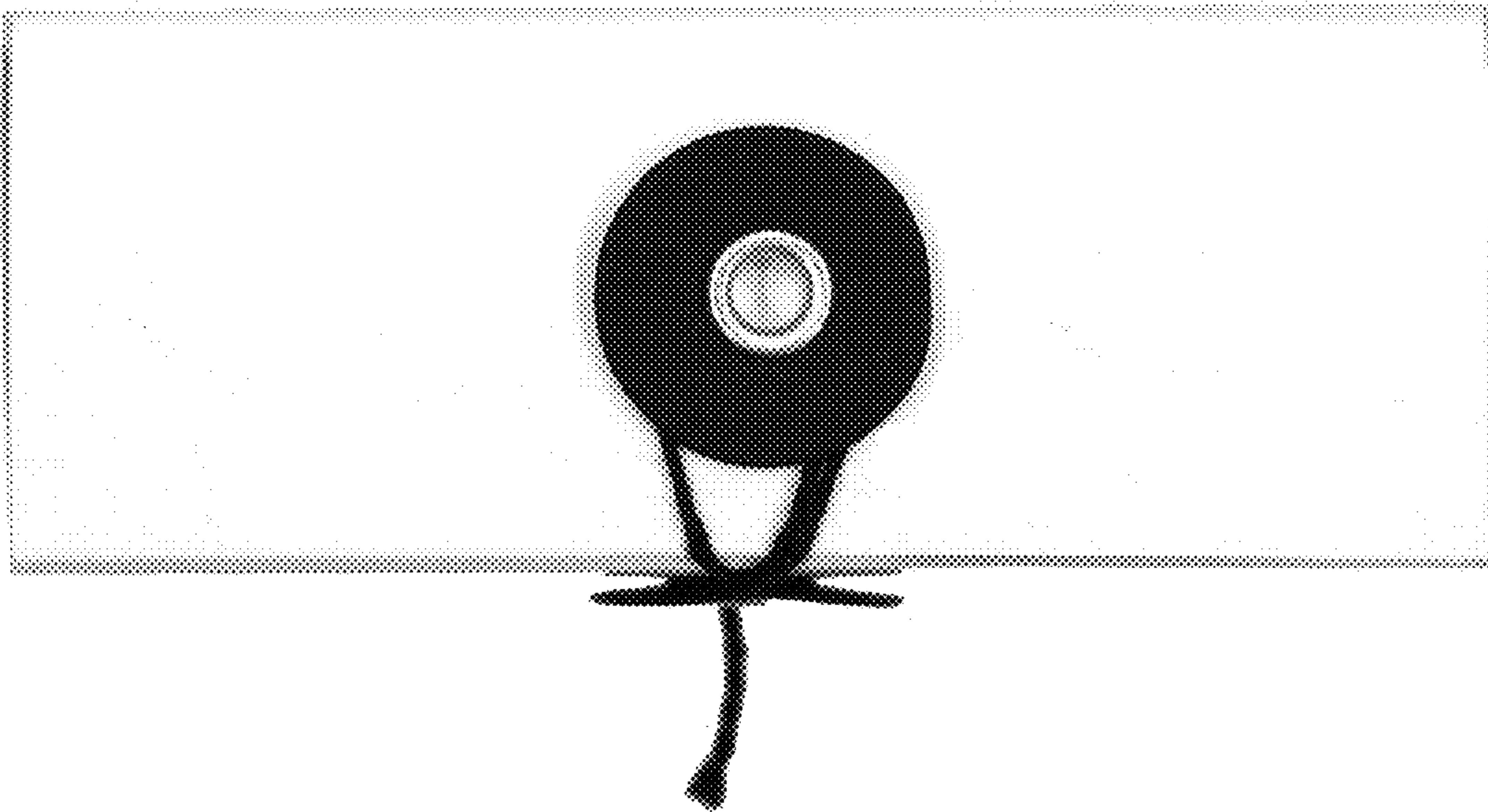


FIG. 18

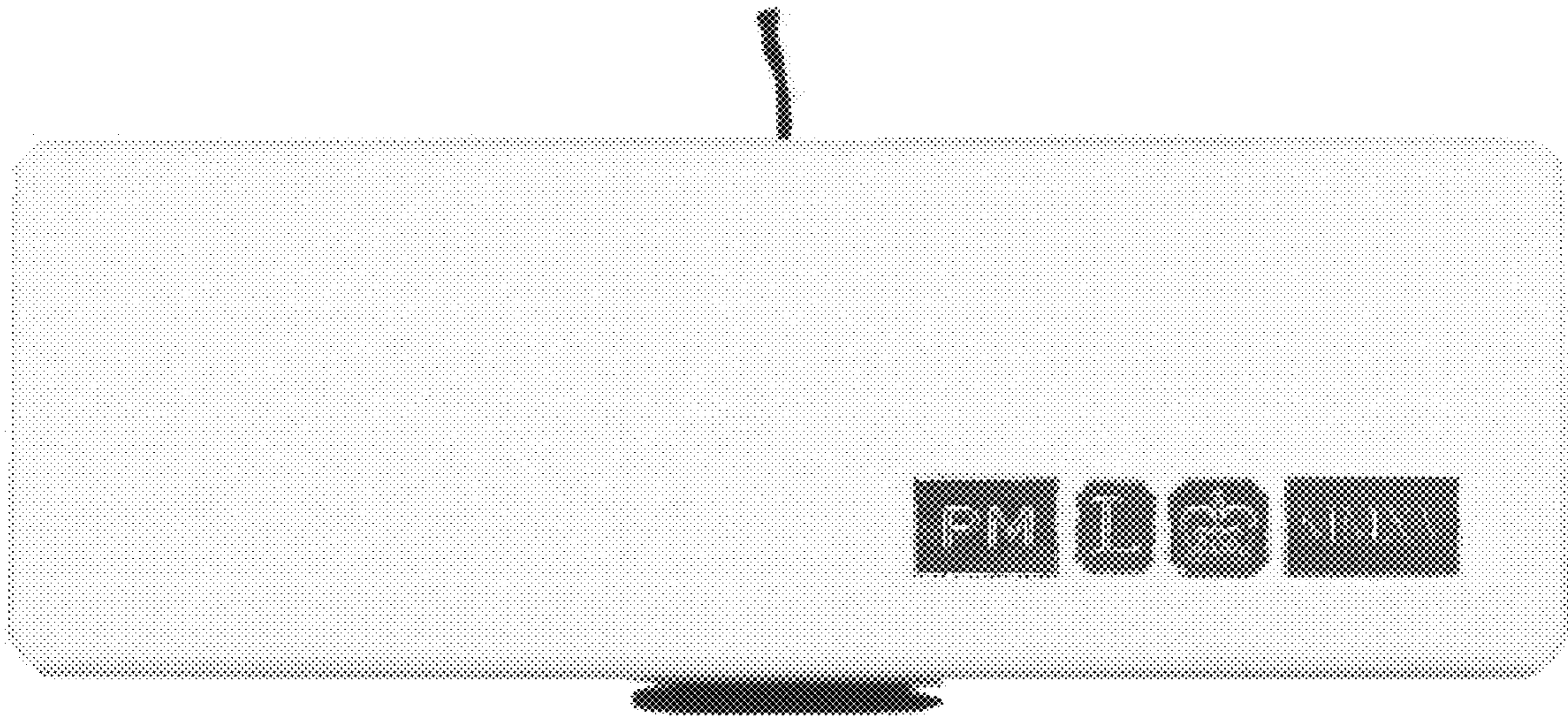


FIG. 19

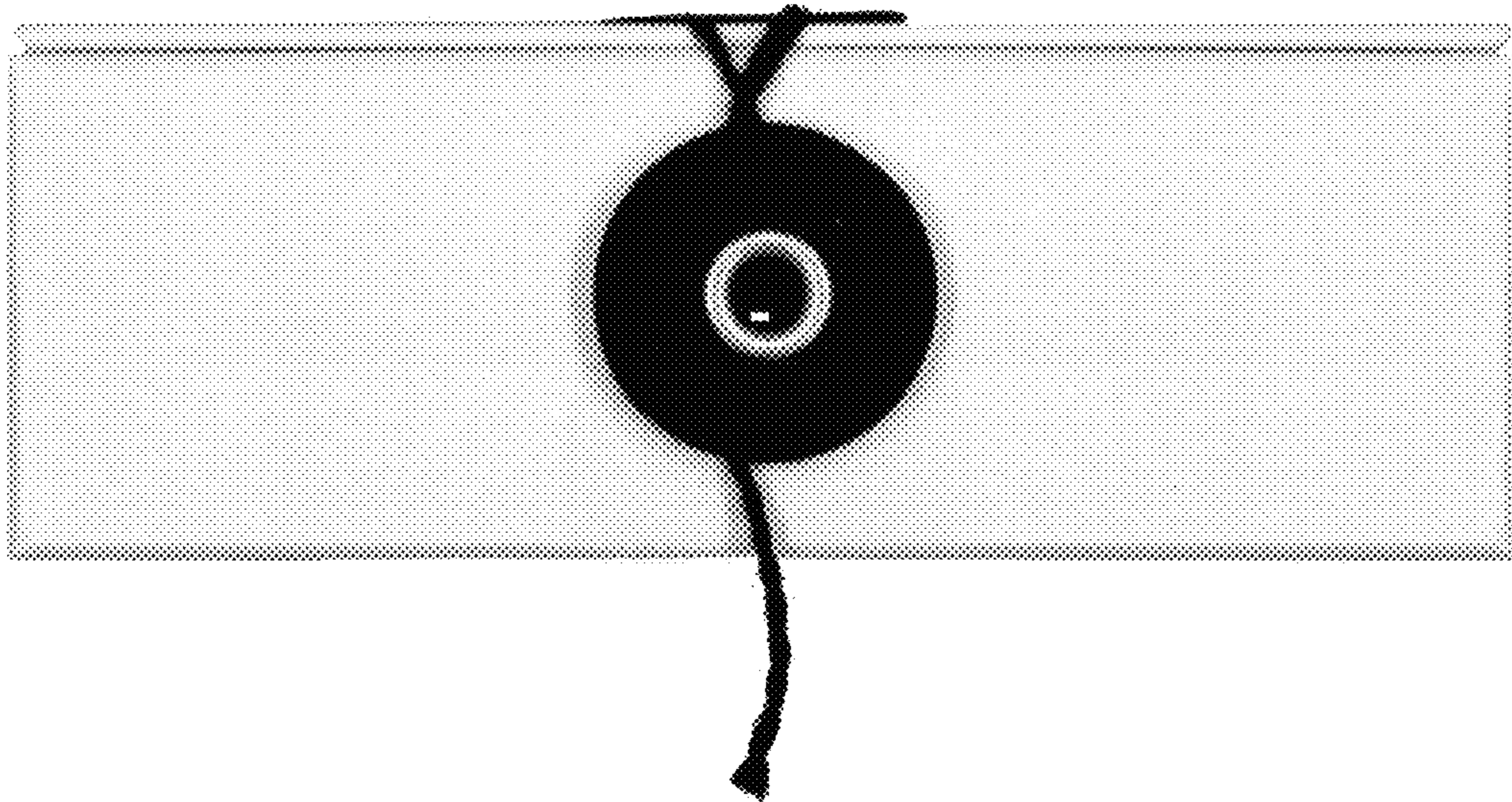


FIG. 20