



US00D913087S

(12) **United States Design Patent** (10) **Patent No.:** **US D913,087 S**
Werth (45) **Date of Patent:** **** *Mar. 16, 2021**

(54) **PACKAGING FOR PLANT MATERIAL**
(71) Applicant: **Podworks Corp.**, Arlington, WA (US)
(72) Inventor: **Thomas Werth**, Kirkland, WA (US)
(73) Assignee: **Podworks Corp.**, Arlington, WA (US)
(*) Notice: This patent is subject to a terminal disclaimer.
(**) Term: **15 Years**
(21) Appl. No.: **29/681,924**
(22) Filed: **Feb. 28, 2019**
(51) **LOC (13) Cl.** **09-03**
(52) **U.S. Cl.**
USPC **D9/418**
(58) **Field of Classification Search**
USPC D9/414-418, 503, 500, 761, 426, 716,
D9/607, 434, 516, 454, 429, 504, 600;
D26/9; D11/143; D21/301; D7/615,
D7/629
CPC B65D 43/06; B65D 81/3216
See application file for complete search history.

D742,734 S * 11/2015 Anderson D9/415
D746,682 S * 1/2016 Trombetta D9/454
D753,491 S * 4/2016 Trombetta D9/503
D761,108 S * 7/2016 Trombetta D9/503
D769,726 S * 10/2016 Trombetta D9/600
D770,286 S * 11/2016 Trombetta D9/503
D775,968 S * 1/2017 Lacasa Horno D9/761
D798,718 S * 10/2017 Foster D9/500
D803,008 S * 11/2017 Lipsius D7/615
D815,518 S * 4/2018 Safdie D9/504
D833,268 S * 11/2018 Werth D9/414
D833,271 S * 11/2018 Werth D9/418
D849,536 S * 5/2019 Trombetta D9/454
D850,920 S * 6/2019 Foster D9/516
D858,279 S * 9/2019 Trombetta D9/434
D865,523 S * 11/2019 Bott D9/503
D865,524 S * 11/2019 Bott D9/503
D866,333 S * 11/2019 Safdie D9/504
D870,561 S * 12/2019 Gladden D9/607
D871,227 S * 12/2019 Gladden D9/607

* cited by examiner

Primary Examiner — Rhea Shields

(74) Attorney, Agent, or Firm — Mark P. Walters; John Bamert; Lowe Graham Jones PLLC

(57) **CLAIM**

The ornamental design for a packaging for plant material, as shown and described.

DESCRIPTION

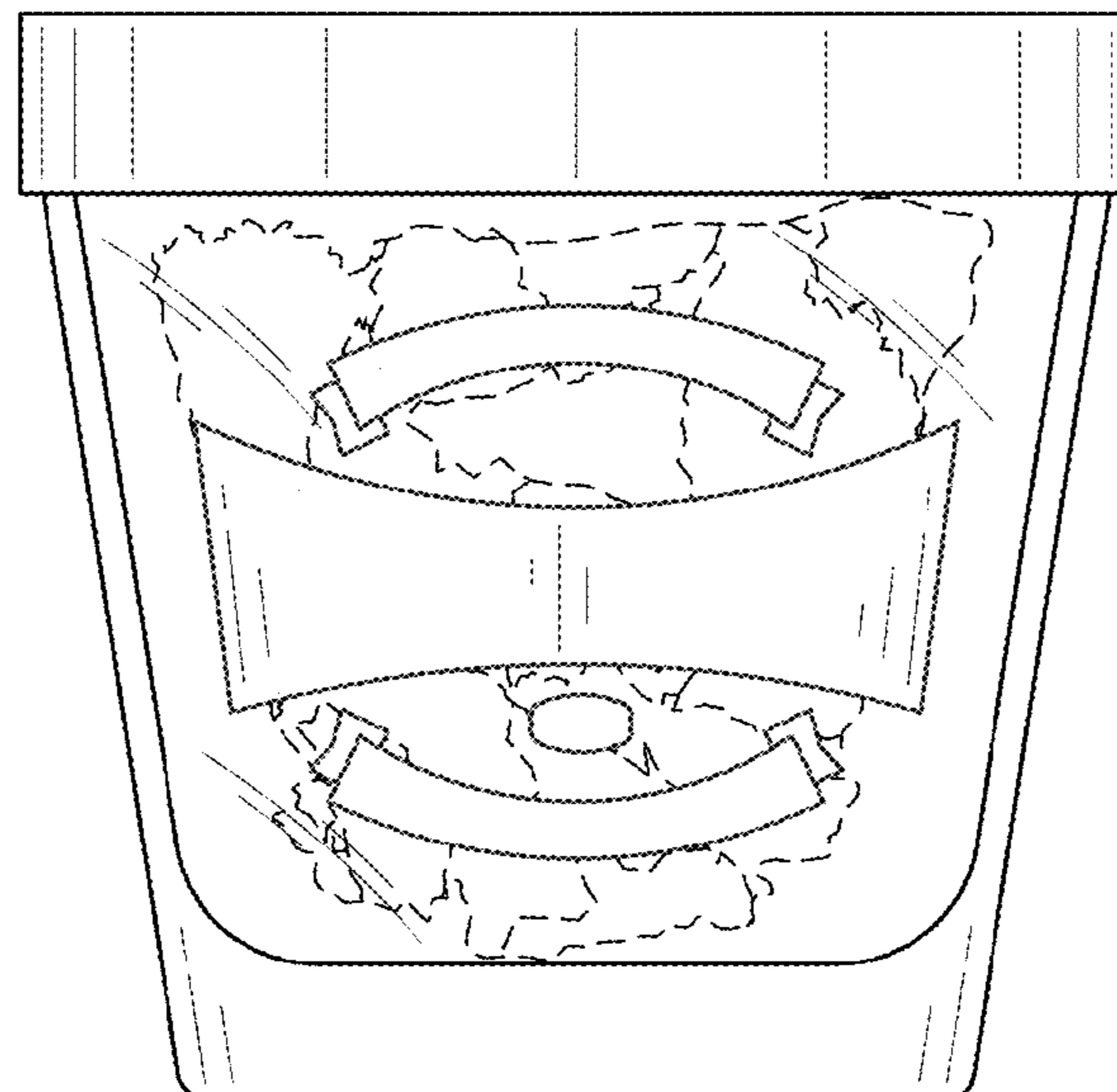
FIG. 1 is a front plan view of a packaging for plant material showing my new design.
FIG. 2 is a rear plan view thereof.
FIG. 3 is a left plan view thereof.
FIG. 4 is a right plan view thereof.
FIG. 5 is a top front isometric view thereof; and,
FIG. 6 is a bottom front isometric view thereof.
In the drawings, the broken lines are for the purpose of illustrating portions of the packaging for plant material that forms no part of the claimed design.

1 Claim, 3 Drawing Sheets

(56) **References Cited**

U.S. PATENT DOCUMENTS

D288,410 S * 2/1987 Crowell D9/418
D357,627 S * 4/1995 Angeles D11/143
D361,714 S * 8/1995 Krupa D9/426
D400,931 S * 11/1998 Kershner D21/301
D416,796 S * 11/1999 Smith D7/629
D478,808 S * 8/2003 Dubiel D9/716
D490,547 S * 5/2004 Clarkson D26/9
D700,839 S * 3/2014 O'Brien D9/429
8,887,918 B2 * 11/2014 Parsons B65D 81/3216
206/546
D731,890 S * 6/2015 Trombetta D9/500
D732,390 S * 6/2015 Trombetta D9/500
9,132,951 B2 * 9/2015 Parsons B65D 43/06



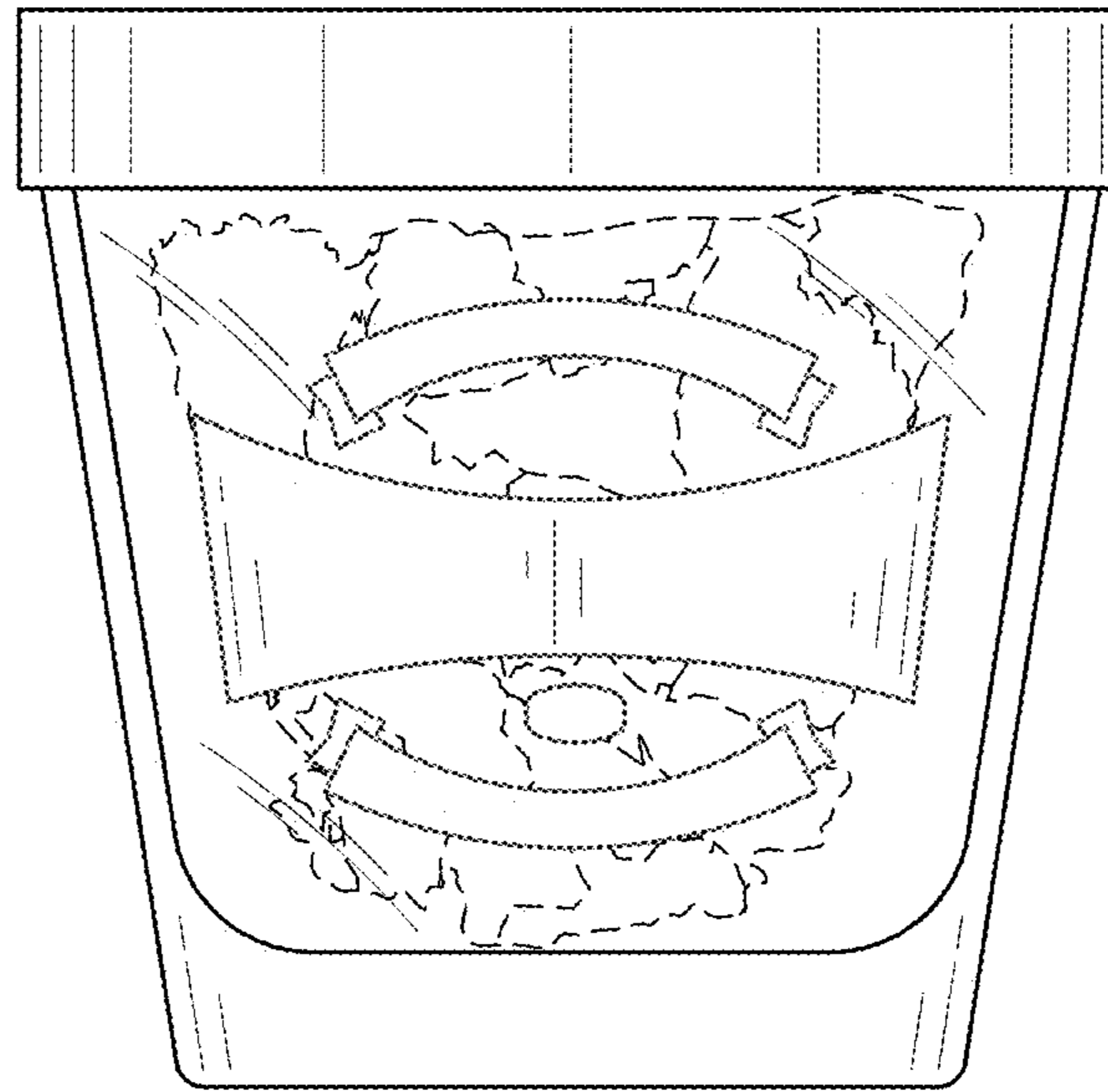


FIG. 1

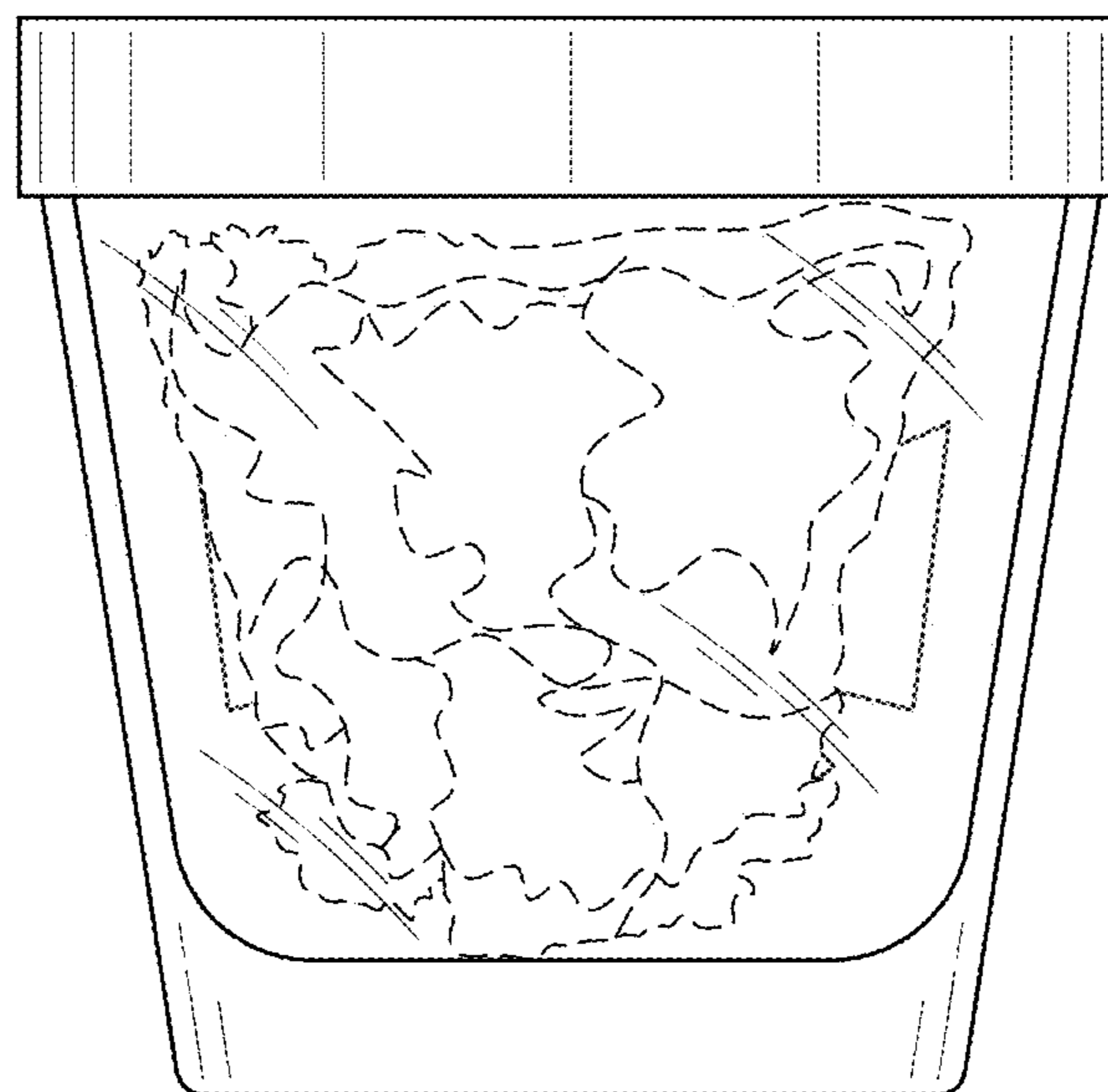


FIG. 2

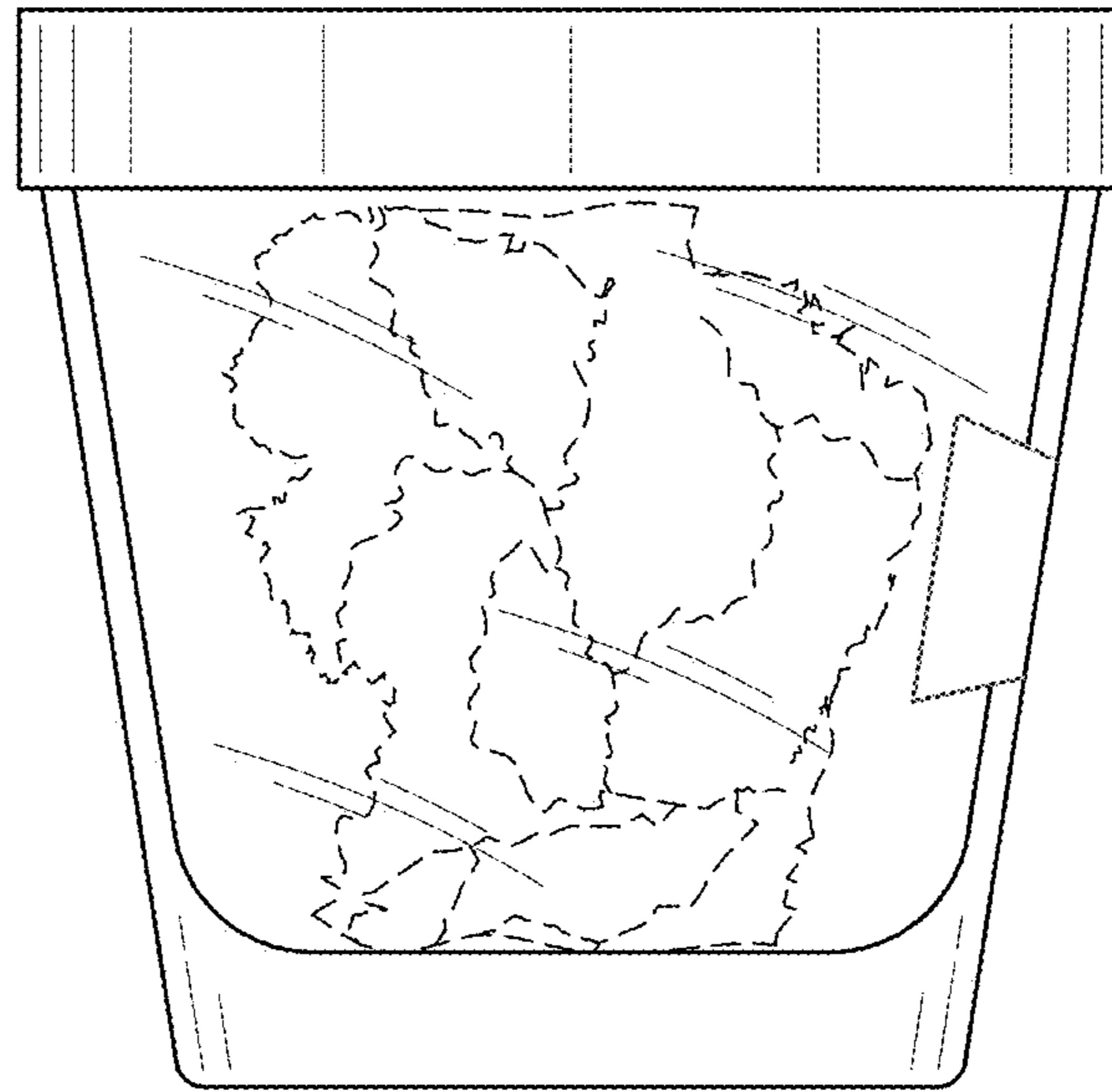


FIG. 3

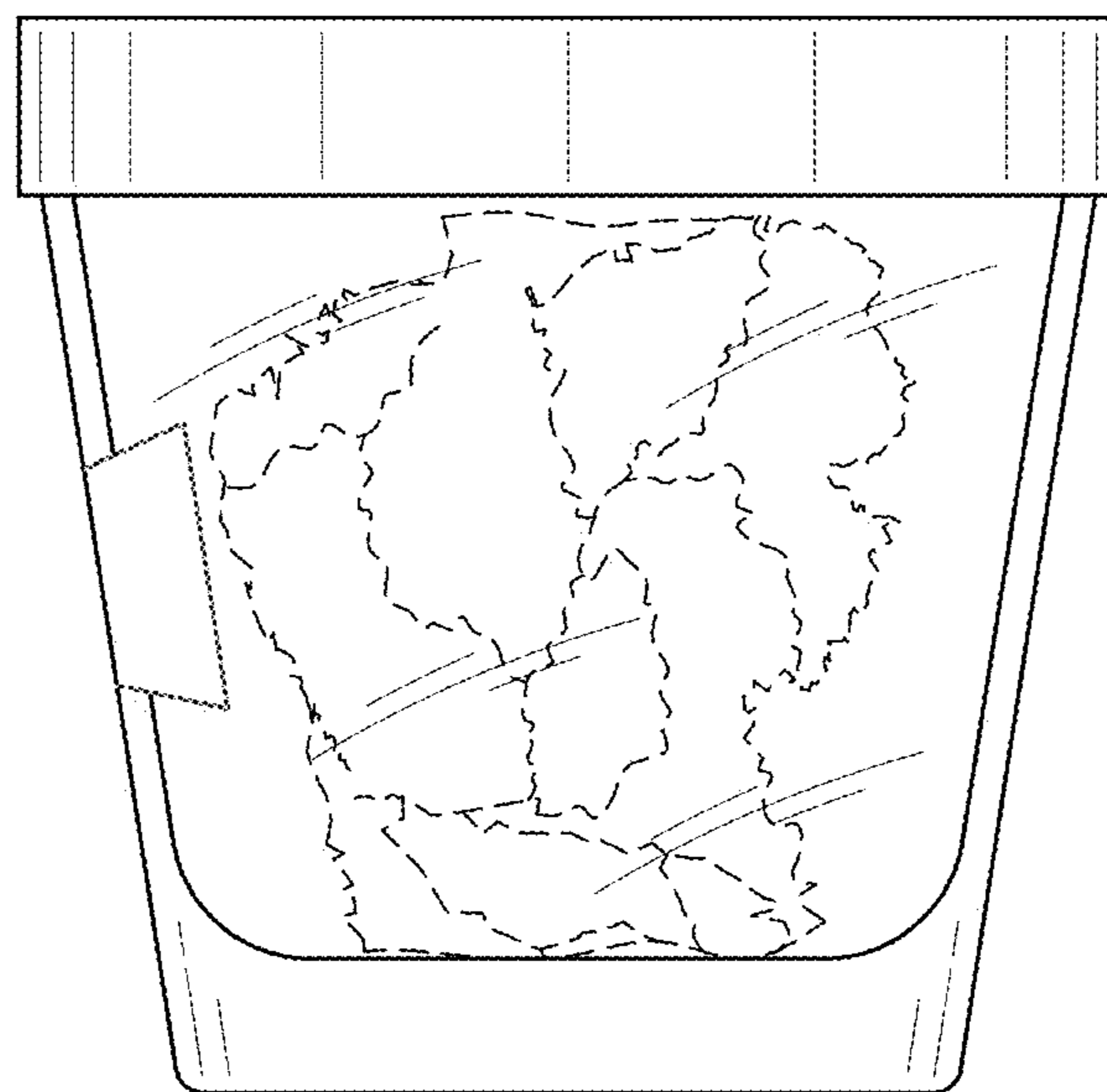


FIG. 4

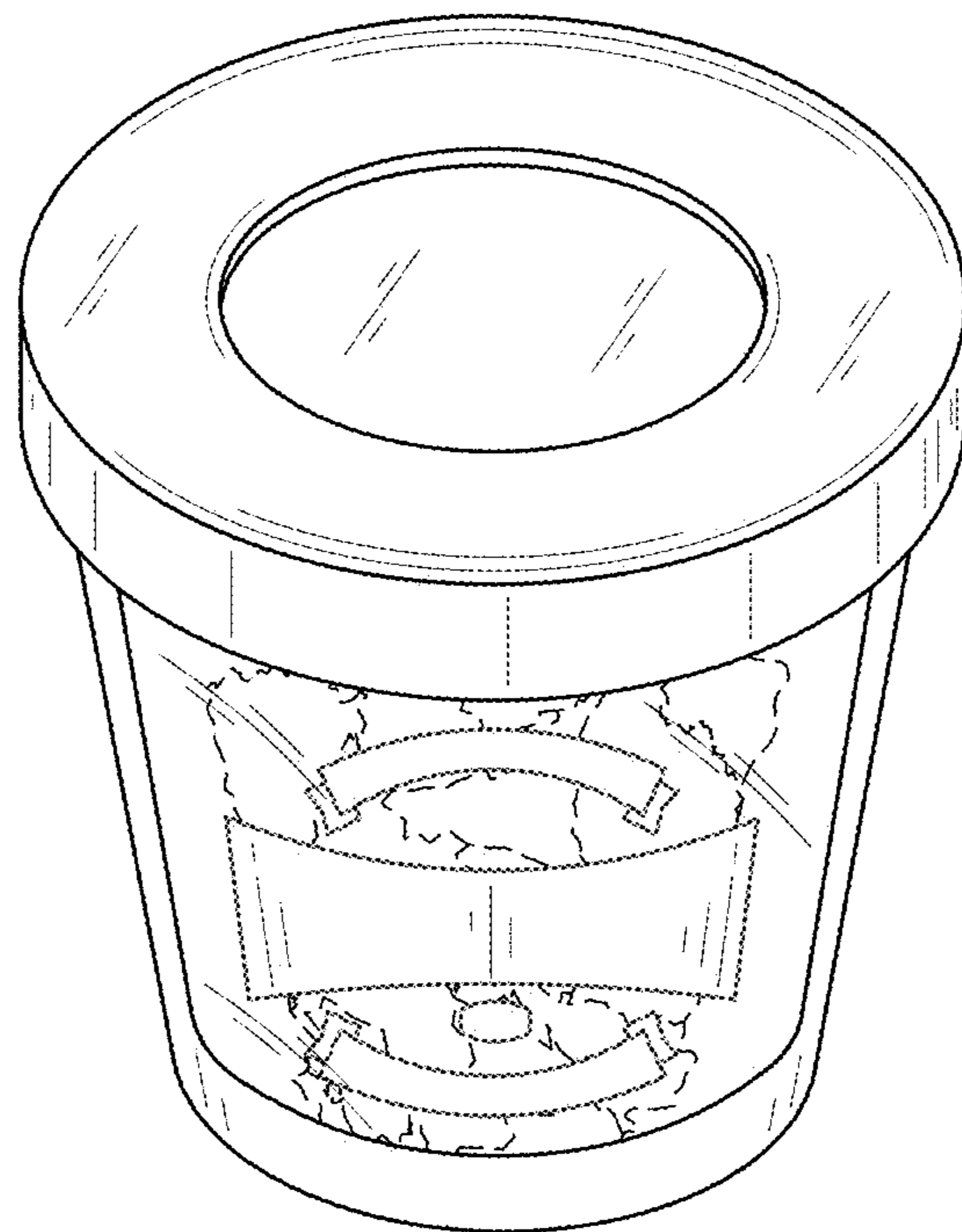


FIG. 5

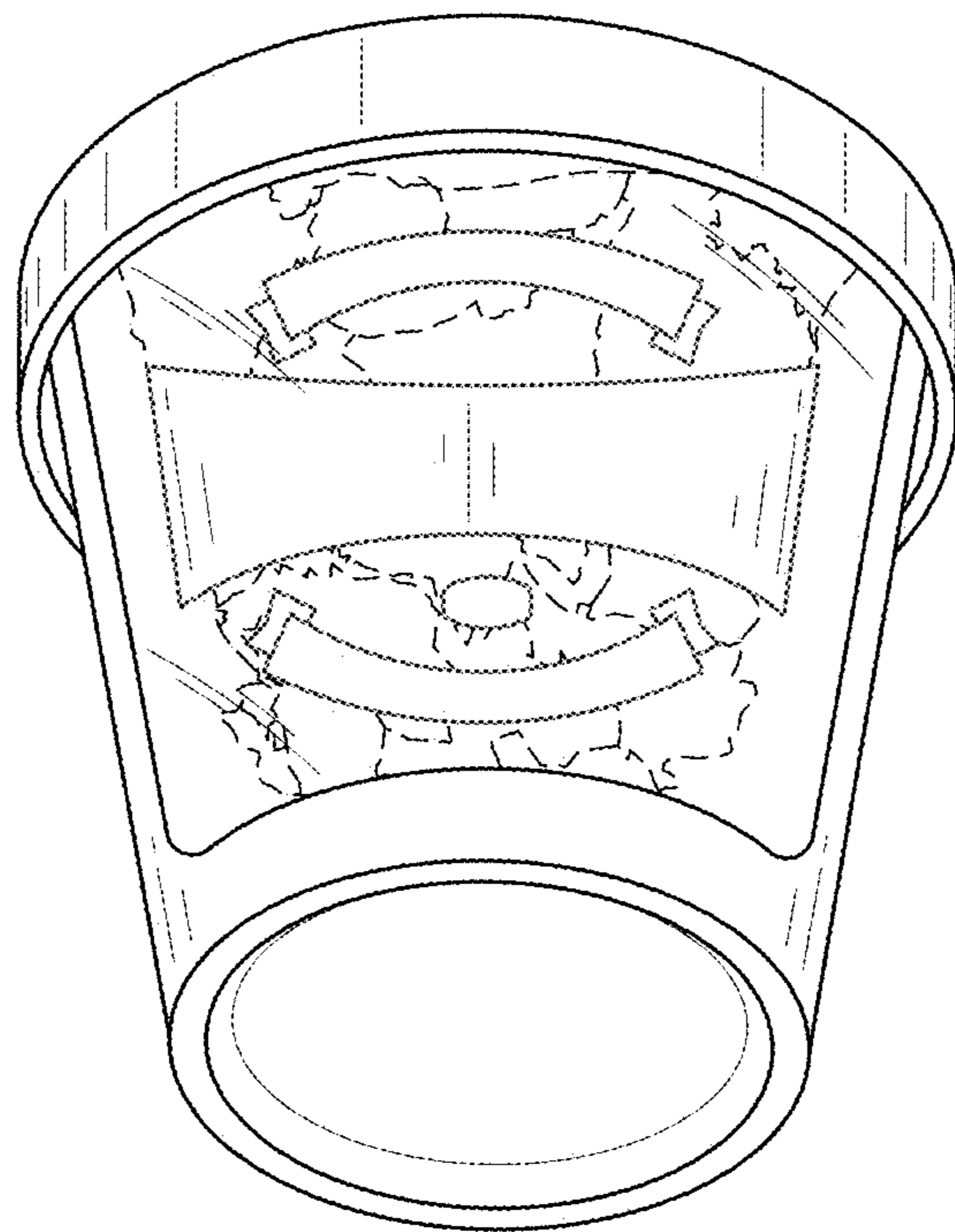


FIG. 6