



US00D913084S

(12) **United States Design Patent**
Nagaki et al.

(10) **Patent No.:** **US D913,084 S**
(45) **Date of Patent:** **** Mar. 16, 2021**

(54) **WIRE GRIPPER**

FOREIGN PATENT DOCUMENTS

(71) Applicant: **NAGAKI SEIKI CO., LTD.**, Daito (JP)

CN 301316697 8/2010
CN 3004025869 * 2/2017

(72) Inventors: **Takayuki Nagaki**, Daito (JP); **Tamotsu Iwama**, Daito (JP)

OTHER PUBLICATIONS

(73) Assignee: **NAGAKI SEIKI CO., LTD.**, Daito (JP)

Wire Gripper—Self Grip Clamp, Indiamart website 2019, <https://www.indiamart.com/proddetail/wire-gripper-self-grip-clamp-1662362648.html>, site visited Aug. 19, 2019.*

(**) Term: **15 Years**

(Continued)

(21) Appl. No.: **29/633,710**

Primary Examiner — John R Yeh

(22) Filed: **Jan. 15, 2018**

(74) *Attorney, Agent, or Firm* — Rabin & Berdo, P.C.

Related U.S. Application Data

(62) Division of application No. 29/570,151, filed on Jul. 5, 2016, now Pat. No. Des. 850,246.

(57) **CLAIM**

The ornamental design for a wire gripper, as shown and described.

(30) **Foreign Application Priority Data**

Jan. 6, 2016 (JP) 2016-001102
Mar. 16, 2016 (JP) 2016-052458

(Continued)

(51) **LOC (13) Cl.** **08-08**

(52) **U.S. Cl.**
USPC **D8/394**

(58) **Field of Classification Search**
USPC D8/394–396, 499, 71–74, 380, 383;
D24/180; D6/315, 546

(Continued)

(56) **References Cited**

U.S. PATENT DOCUMENTS

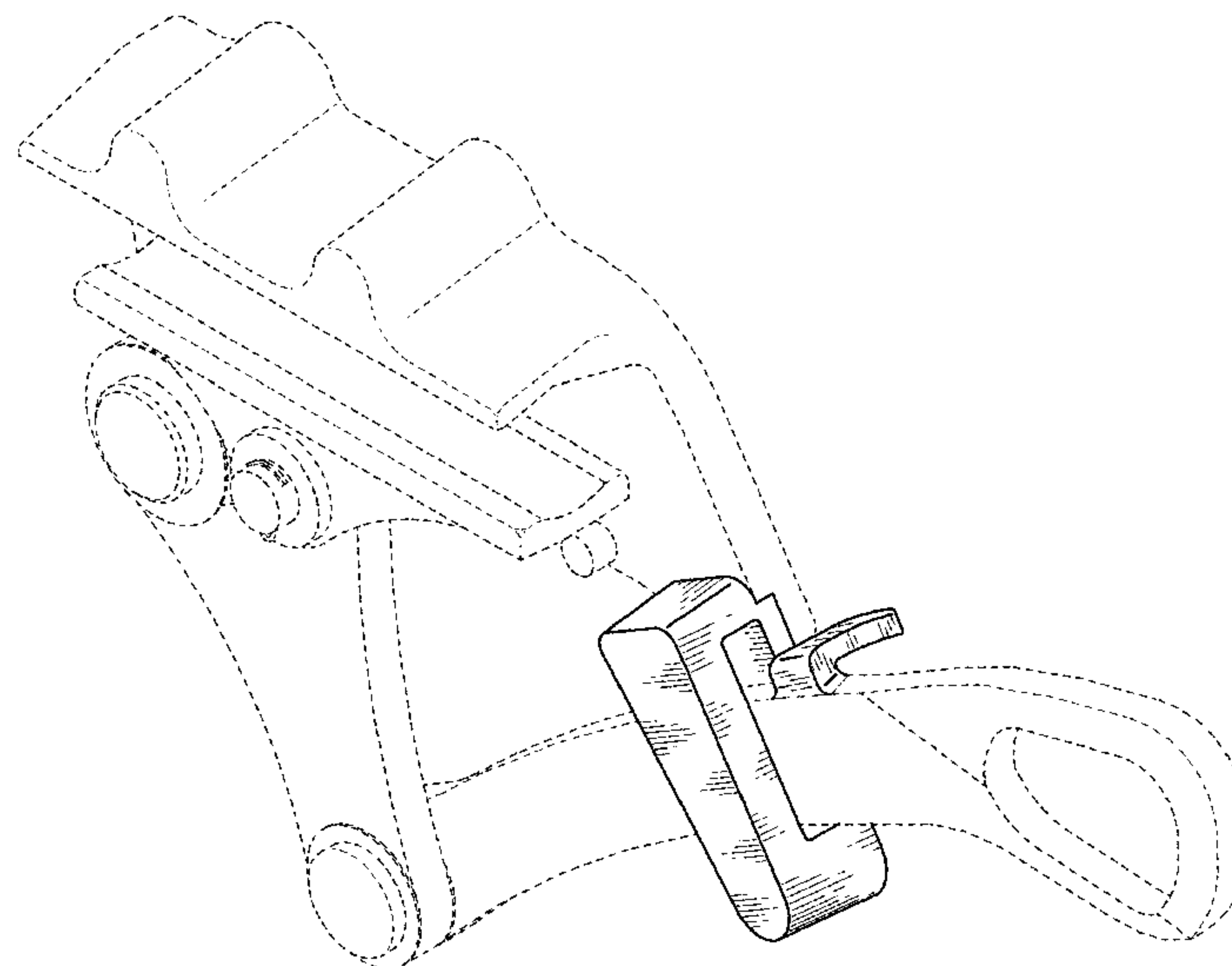
1,942,625 A * 1/1934 Whalan F16G 3/006
24/132 R
2,985,933 A * 5/1961 Peterson H01R 11/15
24/132 R

(Continued)

DESCRIPTION

FIG. 1 is a front view of our design for a wire gripper; FIG. 2 is a rear view thereof; FIG. 3 is a top view thereof; FIG. 4 is a bottom view thereof; FIG. 5 is a right side view thereof; FIG. 6 is a left side view thereof; FIG. 7 is a front view showing a state of use thereof; FIG. 8 is a rear view showing a state of use thereof; FIG. 9 is right side view showing a state of use thereof; FIG. 10 is a front, right side perspective view thereof; and, FIG. 11 is a rear, right side perspective view thereof. The broken lines throughout the figures depict portions of the wire gripper that form no part of the claimed design. Additional broken lines showing hands in FIGS. 7-8 and a wire in FIG. 9 are environment of the wire gripper that form no part of the claimed design.

1 Claim, 10 Drawing Sheets



(30) Foreign Application Priority Data

Jun. 15, 2016 (JP) 2016-118721
 Jun. 16, 2016 (JP) 2016-012910

(58) Field of Classification Search

CPC . H01R 9/05; A01K 87/06; A01M 1/02; B63B
 21/08; B65D 63/00; A43C 1/00; A45D
 1/04; H02G 1/04; H02G 1/00; B66F
 19/00

See application file for complete search history.

(56) References Cited

U.S. PATENT DOCUMENTS

3,595,458 A * 7/1971 Prigl B21C 1/28
 226/164
 5,156,240 A * 10/1992 Ostrobrod A62B 1/14
 182/193
 D338,153 S * 8/1993 Hutton D11/212
 5,638,919 A * 6/1997 Pejout A62B 1/14
 182/192
 D411,298 S 6/1999 Godwin et al.
 5,924,522 A * 7/1999 Ostrobrod E06C 7/186
 182/191
 D455,951 S * 4/2002 Kozyra D13/179
 D473,127 S * 4/2003 Yoko D8/395
 7,080,716 B2 * 7/2006 Cherpitel A62B 1/14
 182/192
 D633,783 S * 3/2011 Iwama D8/383
 D633,784 S * 3/2011 Iwama D8/383
 D645,888 S * 9/2011 Chen D15/138
 D651,072 S 12/2011 Boucher-Gagne et al.
 D657,663 S 4/2012 Boucher-Gagne et al.
 D658,050 S 4/2012 Boucher-Gagne et al.

8,540,215 B2 * 9/2013 Iwama B25B 25/00
 24/134 R
 8,720,013 B2 * 5/2014 Chen A62B 1/14
 24/132 R
 D711,212 S * 8/2014 Petzl D8/356
 D732,362 S * 6/2015 Nagaki D8/52
 9,160,149 B2 * 10/2015 Iwama B25B 25/00
 D757,533 S 5/2016 Ormsbee et al.
 D763,674 S 8/2016 Nagaki
 D764,268 S * 8/2016 Nagaki D8/396
 9,434,587 B2 9/2016 Nagaki et al.
 9,750,959 B2 * 9/2017 Sepe A62B 1/14
 9,768,596 B2 * 9/2017 Nagaki H02G 7/056
 10,291,002 B2 * 5/2019 Nagaki H02G 1/06
 D850,246 S * 6/2019 Nagaki D8/394
 2015/0232314 A1 * 8/2015 Nagaki B66F 19/00
 294/135
 2015/0244154 A1 8/2015 Nagaki et al.
 2016/0218493 A1 * 7/2016 Iwama H02G 1/005
 2016/0336724 A1 11/2016 Nagaki et al.
 2018/0212407 A1 * 7/2018 Nagaki H02G 1/00
 2018/0212408 A1 * 7/2018 Nagaki H02G 1/04

OTHER PUBLICATIONS

3 Ton Come Along Cable Wire Gripper, Alibaba website 2019,
https://www.alibaba.com/product-detail/3-Ton-Come-Along-Cable-Wire_60411102914.html, site visited Aug. 19, 2019.*
 Amazon.com: American Power Pull Fence and Wire Grip, oldest
 review 2014, https://www.amazon.com/AMERICAN-POWER-PULL-Pp7008-Fence/dp/B00DIRTYSG/ref=cm_cr_ar_p_d_product_top?ie=UTF8, [site visited Sep. 12, 2017 2:12:04AM].
 Zoro wire grips, website 2017, site visited Sep. 12, 2017, <https://www.zoro.com/search?category13=Cable+Pulling+Grips&category11=Hand+Tools&q=&category12=Electrical+Tools&page=1>.

* cited by examiner

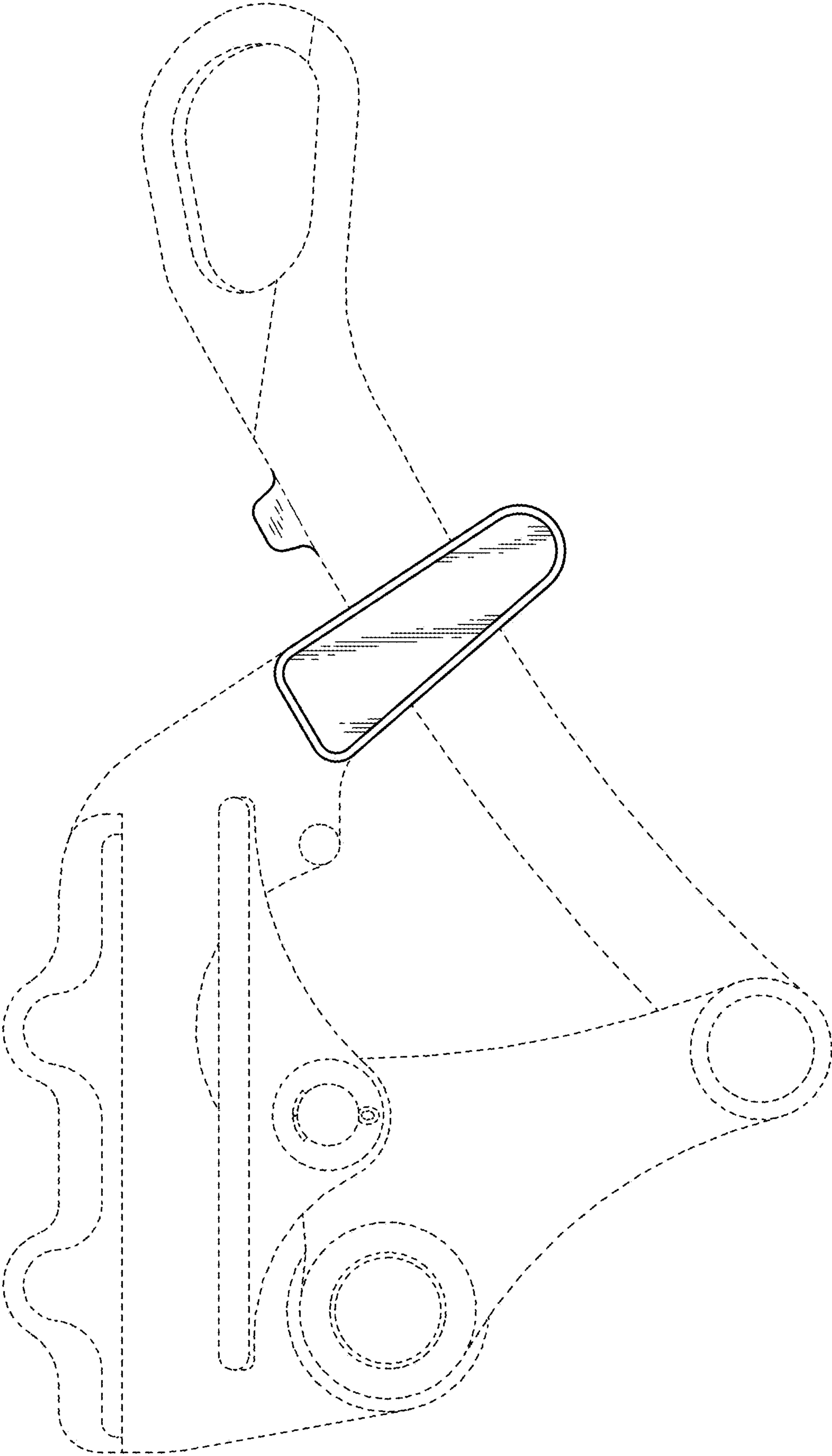


FIG. 1

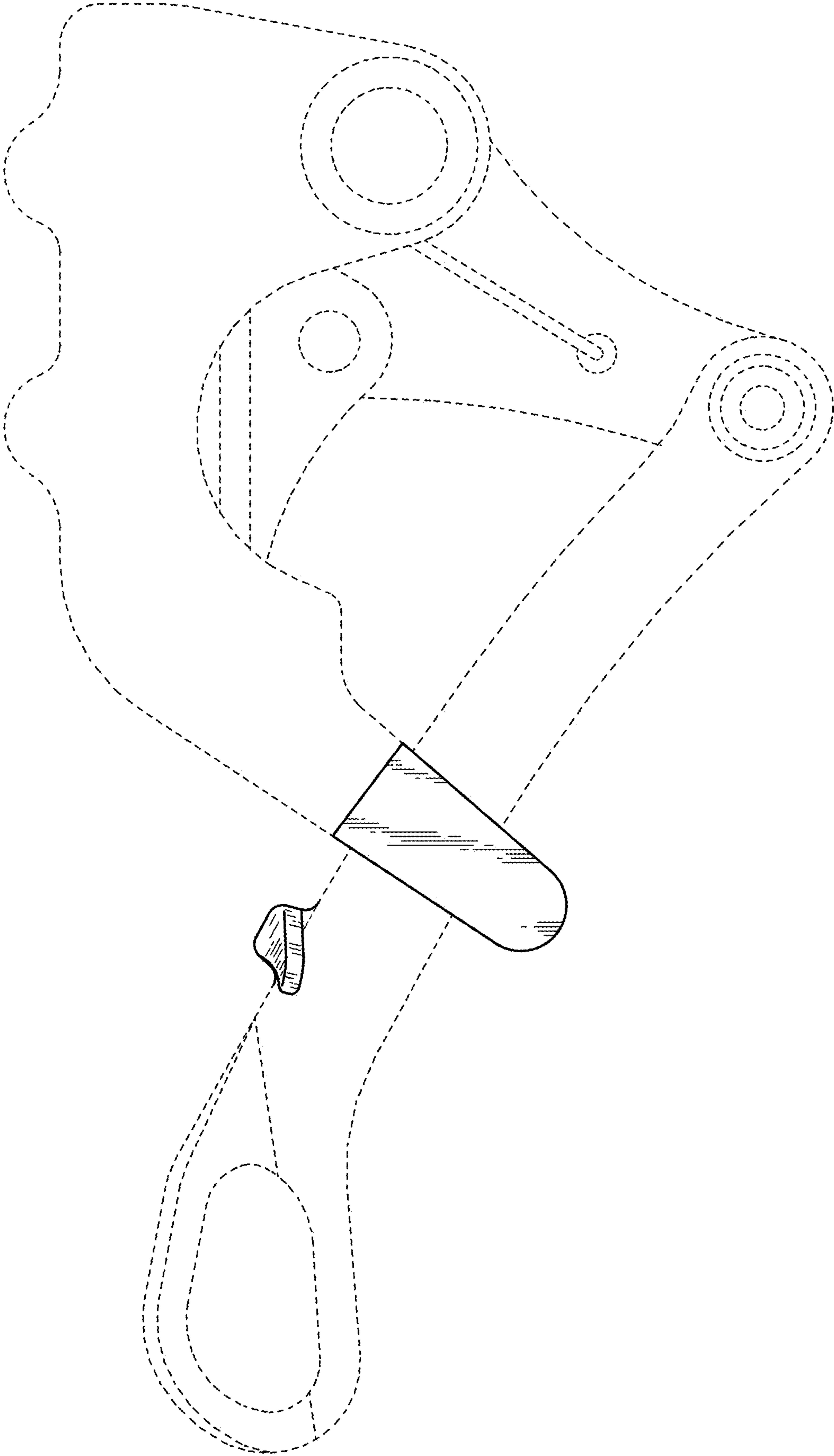


FIG. 2

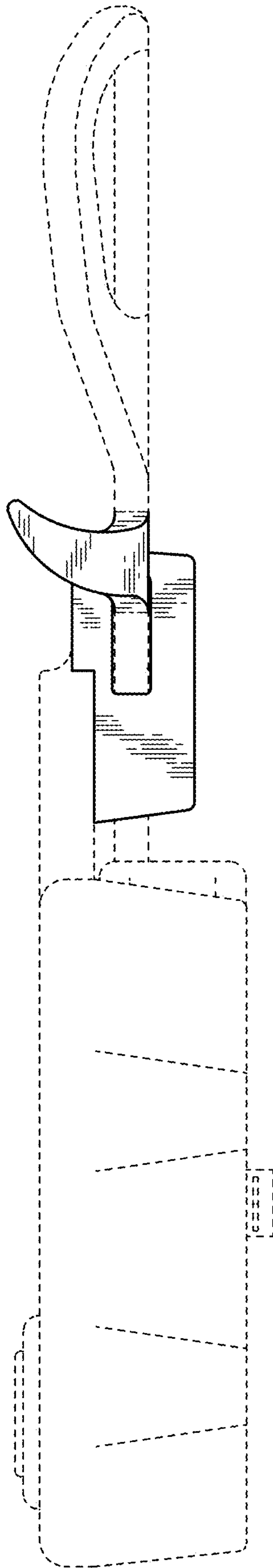


FIG. 3

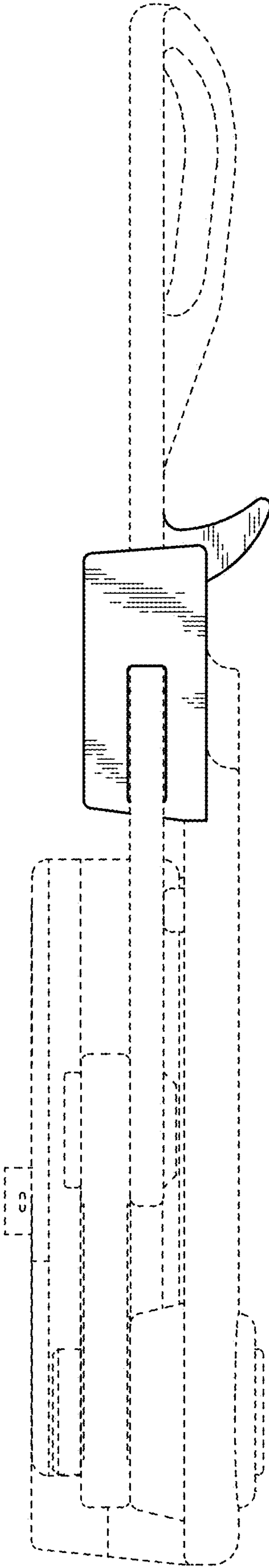


FIG. 4

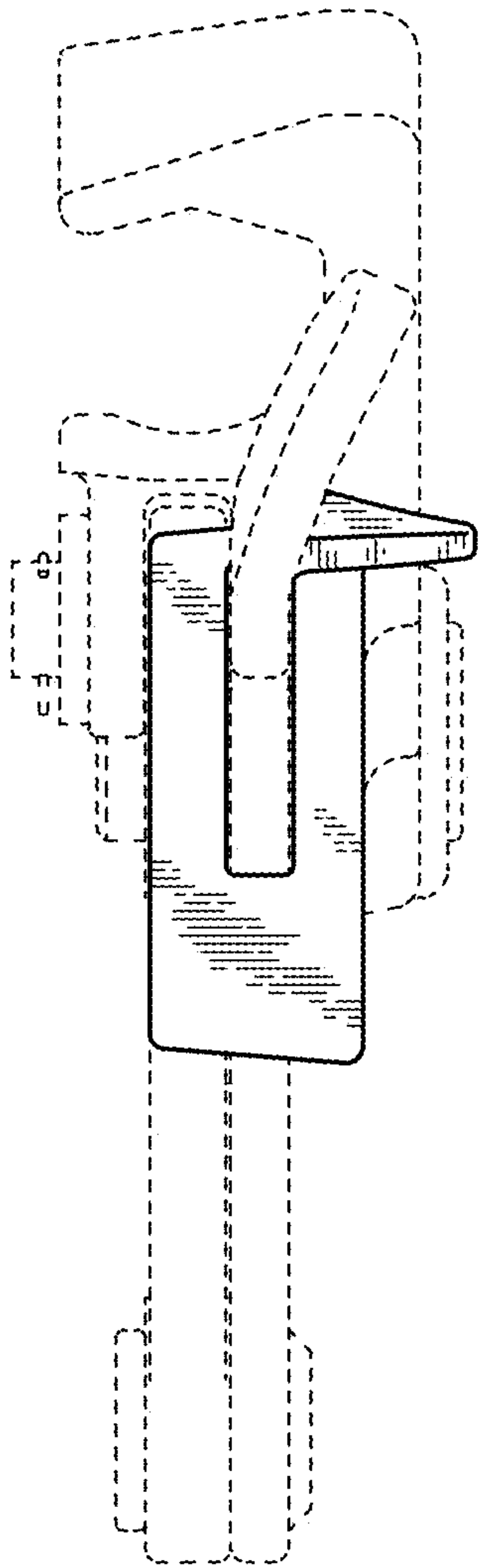


FIG. 5

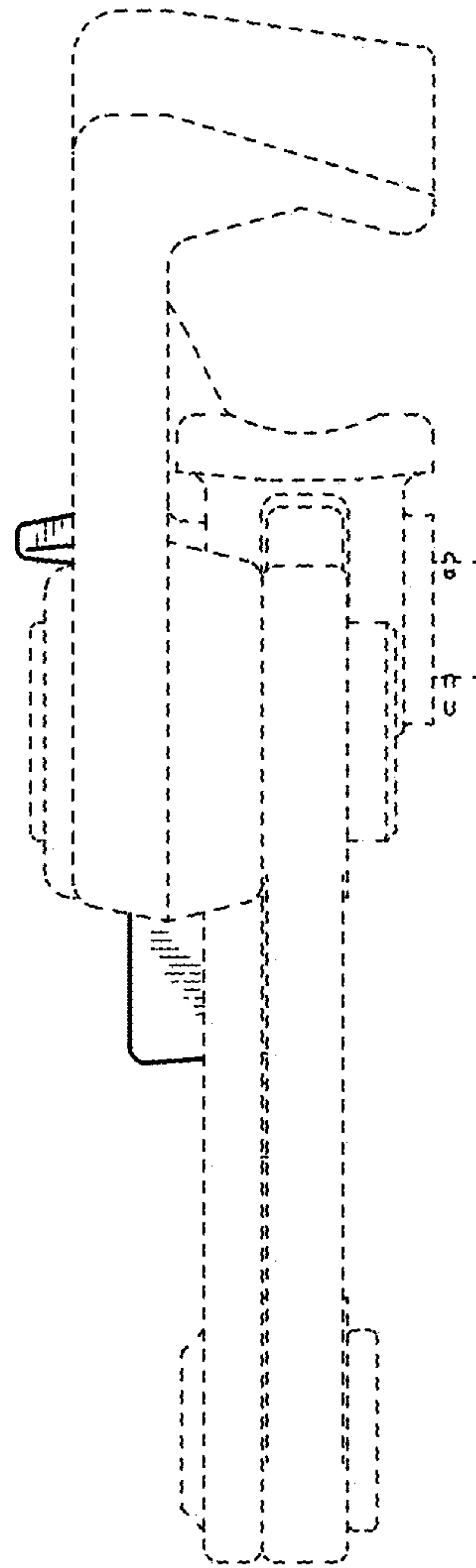


FIG. 6

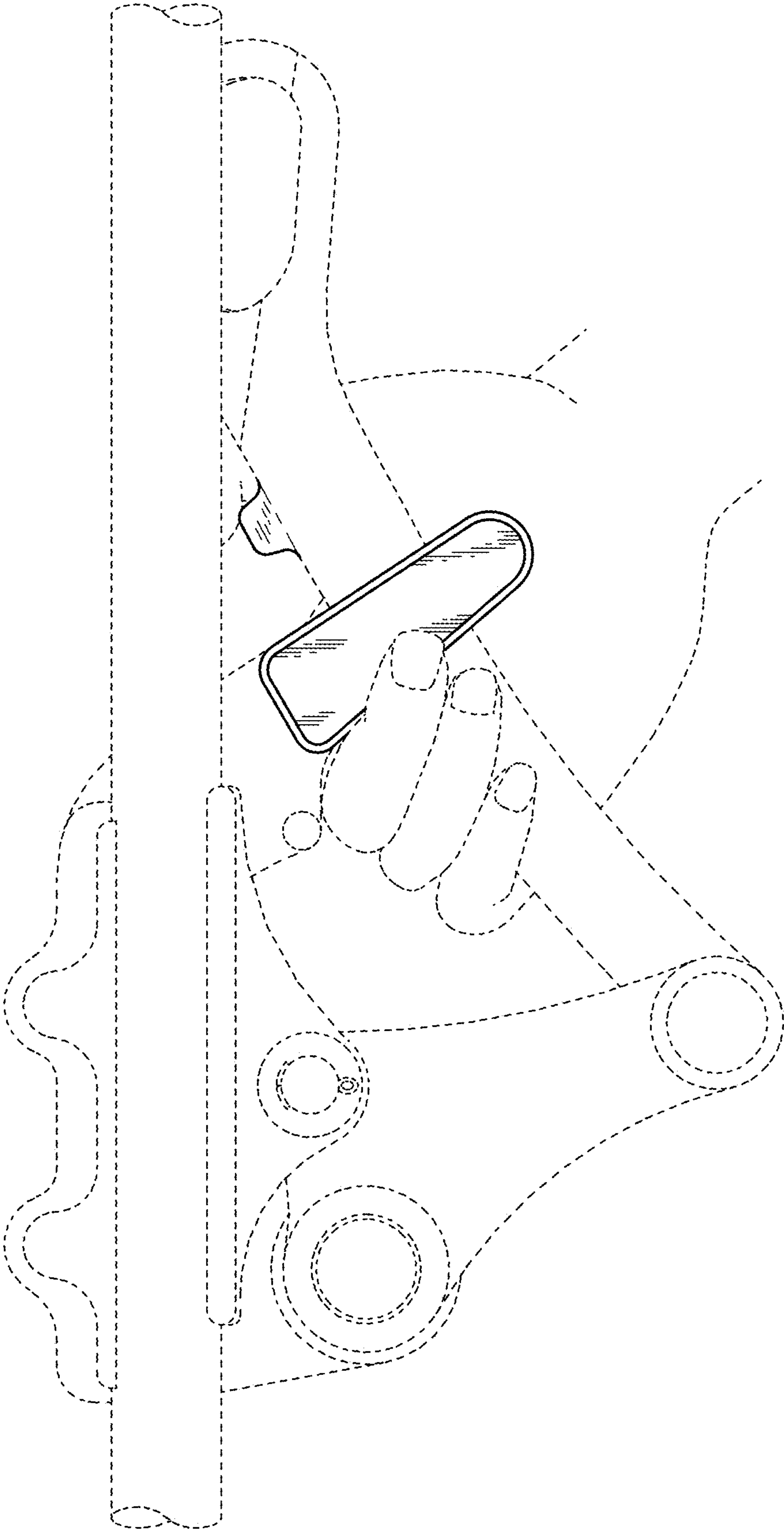


FIG. 7

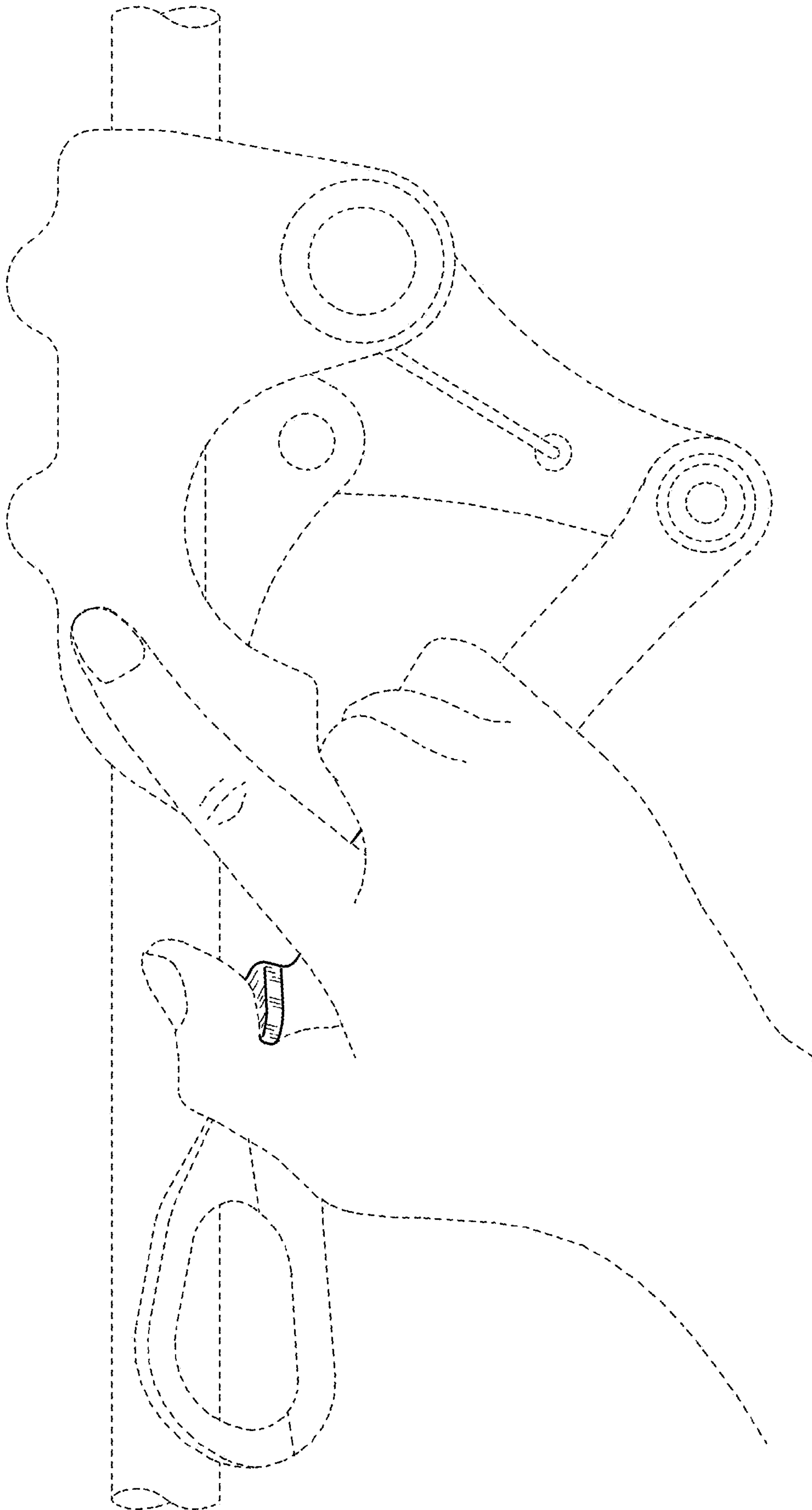


FIG. 8

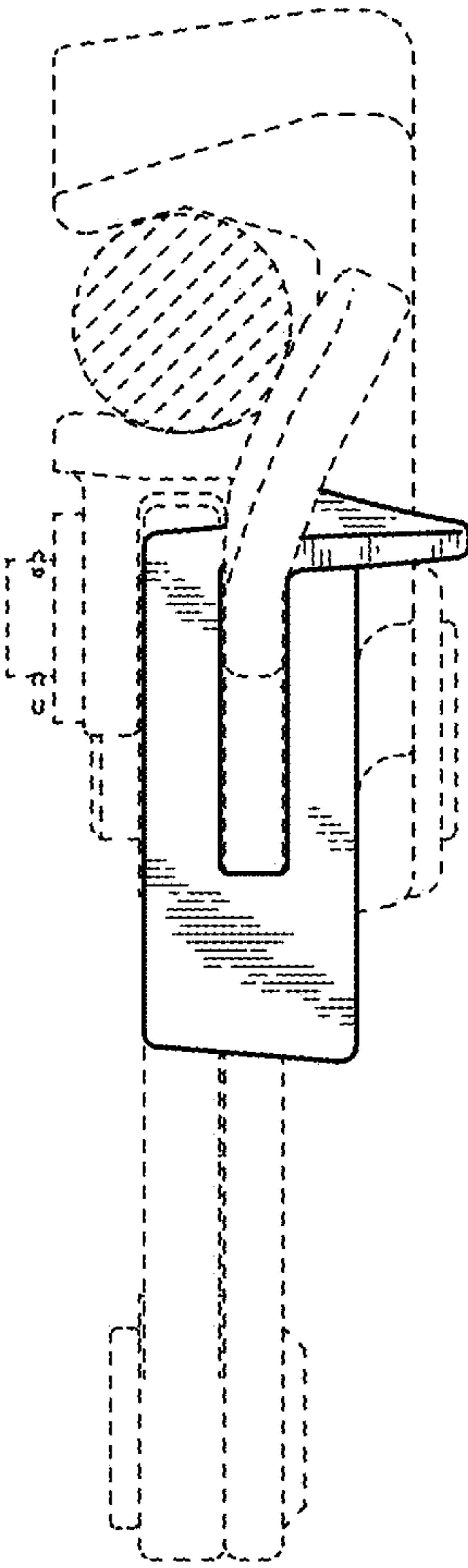


FIG. 9

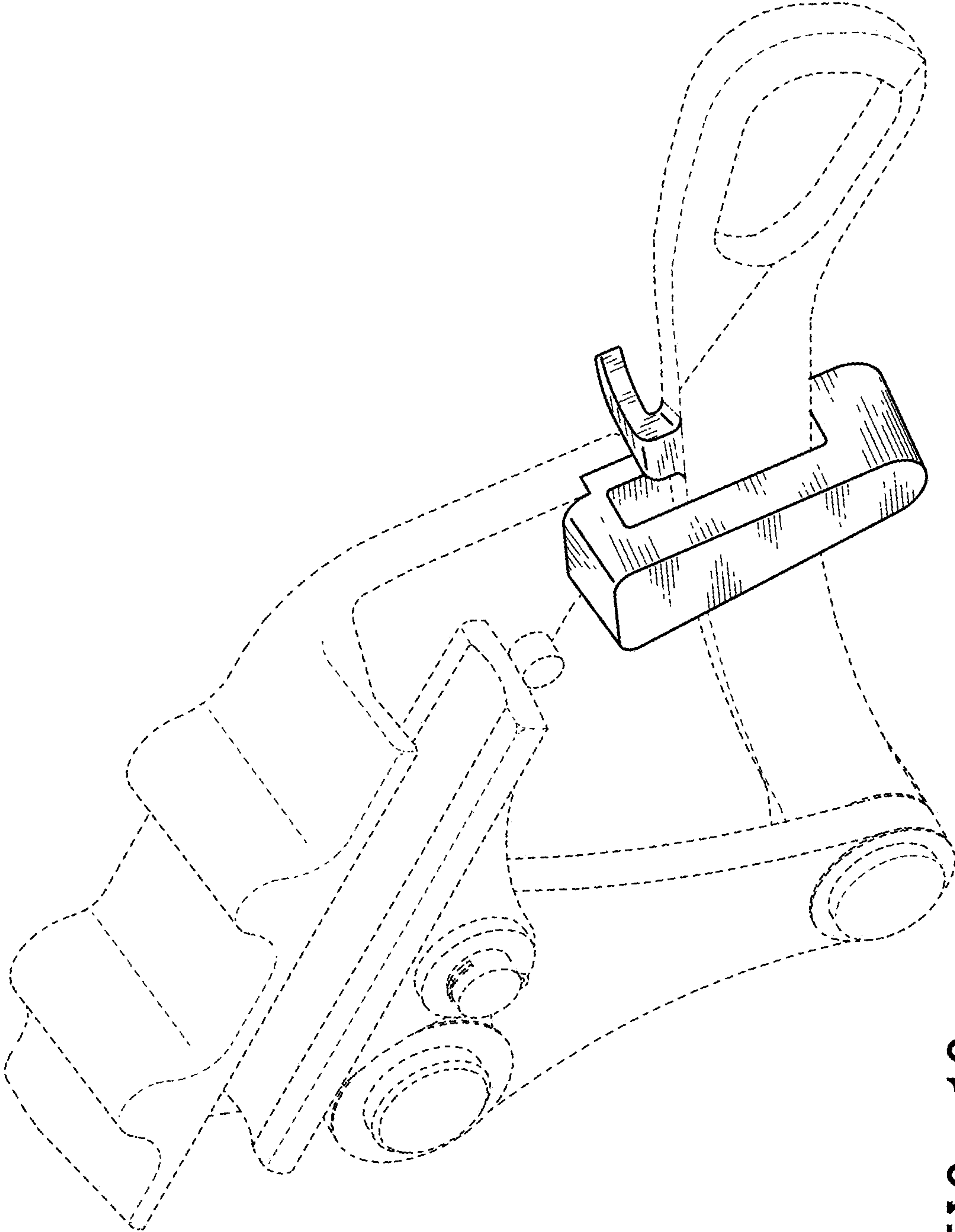


FIG. 10

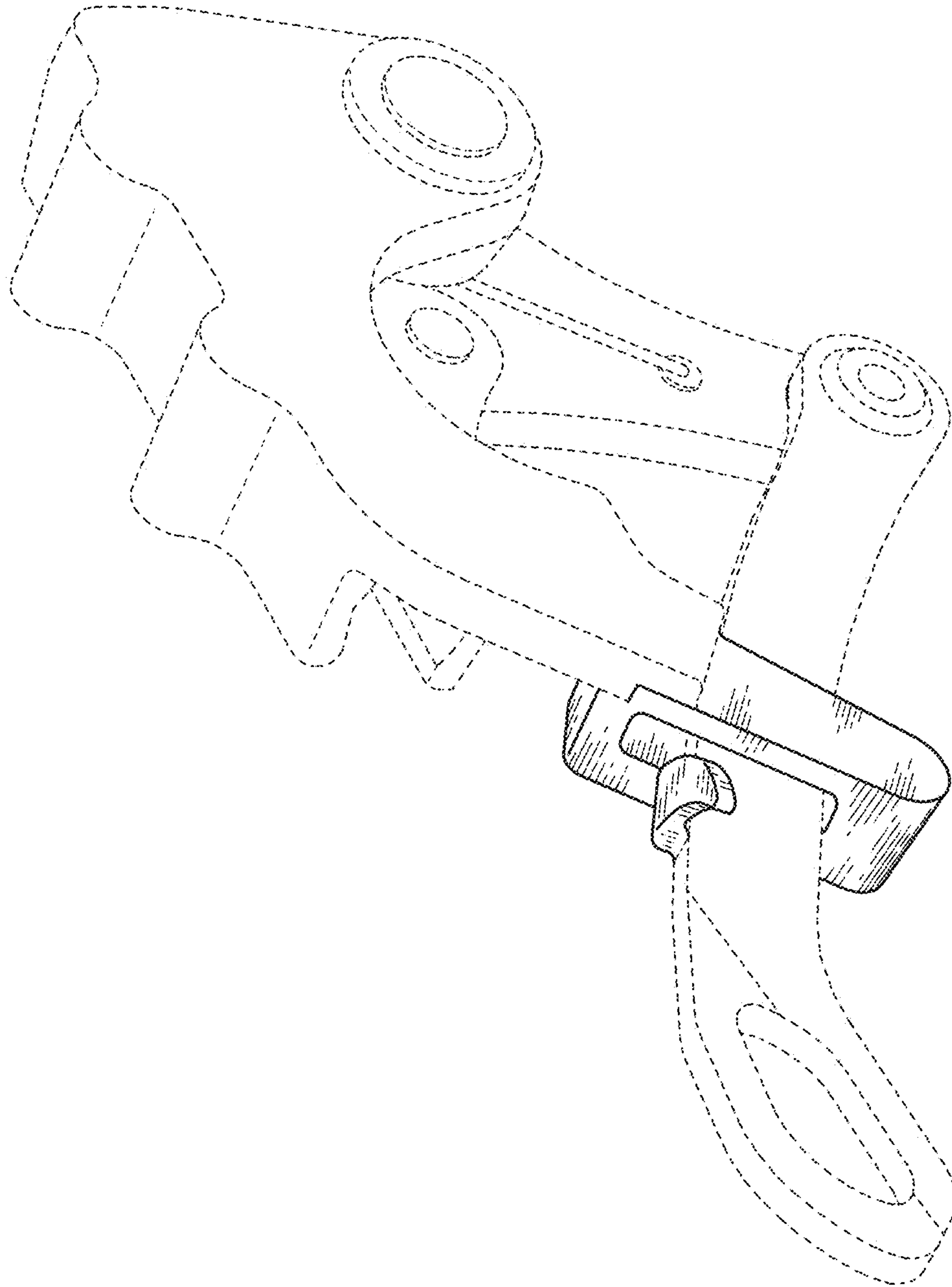


FIG. 11