



US00D913083S

(12) **United States Design Patent**
Lederer

(10) **Patent No.:** **US D913,083 S**
(45) **Date of Patent:** **** Mar. 16, 2021**

- (54) **CONNECTOR**
- (71) Applicant: **RTL Group Investments Pty Ltd,**
Bellevue Hill (AU)
- (72) Inventor: **Robert Lederer,** Bellevue Hill (AU)
- (73) Assignee: **RTL Group Investments Pty Ltd,**
Bellevue Hill (AU)
- (**) Term: **15 Years**
- (21) Appl. No.: **29/595,107**
- (22) Filed: **Feb. 24, 2017**
- (30) **Foreign Application Priority Data**
Aug. 26, 2016 (AU) 201614678
- (51) **LOC (13) Cl.** **08-08**
- (52) **U.S. Cl.**
USPC **D8/382**
- (58) **Field of Classification Search**
USPC D8/349, 354, 380, 382, 394, 395, 330,
D8/341, 342, 499; D6/273, 274, 279,
D6/293, 318, 328
CPC A45C 5/14; A45C 7/00; A45C 7/0045;
A45C 13/10; A45C 13/1023; A45C
13/1076; A45C 13/1084; A45C 13/123;
A45C 13/14; B62B 3/04; B62B 5/00;
A44B 17/0052; A44B 17/0047; A44B
17/0011; A44B 17/0041
See application file for complete search history.

- (56) **References Cited**
U.S. PATENT DOCUMENTS
D285,647 S * 9/1986 Sachs 174/41
D400,865 S * 11/1998 Korhonen D13/173
6,141,841 A * 11/2000 Workman A45C 5/14
190/102

- 6,213,266 B1 * 4/2001 Hollingsworth A45C 5/14
150/111
- D464,830 S * 10/2002 High D8/349
- D467,451 S * 12/2002 High D8/349
- D485,099 S * 1/2004 Wood D6/709
- D598,730 S * 8/2009 Luo D8/354
- D606,849 S * 12/2009 Jimenez D8/395
- D610,436 S * 2/2010 Bremmon D8/373
- D626,407 S * 11/2010 Tedesco D8/380
- D705,045 S * 5/2014 Læenner D8/380
- D748,461 S * 2/2016 Catchings D8/394
- D748,463 S * 2/2016 Turksu D14/440
- D764,894 S * 8/2016 Pernu D8/349
- D838,232 S * 1/2019 Du D12/409

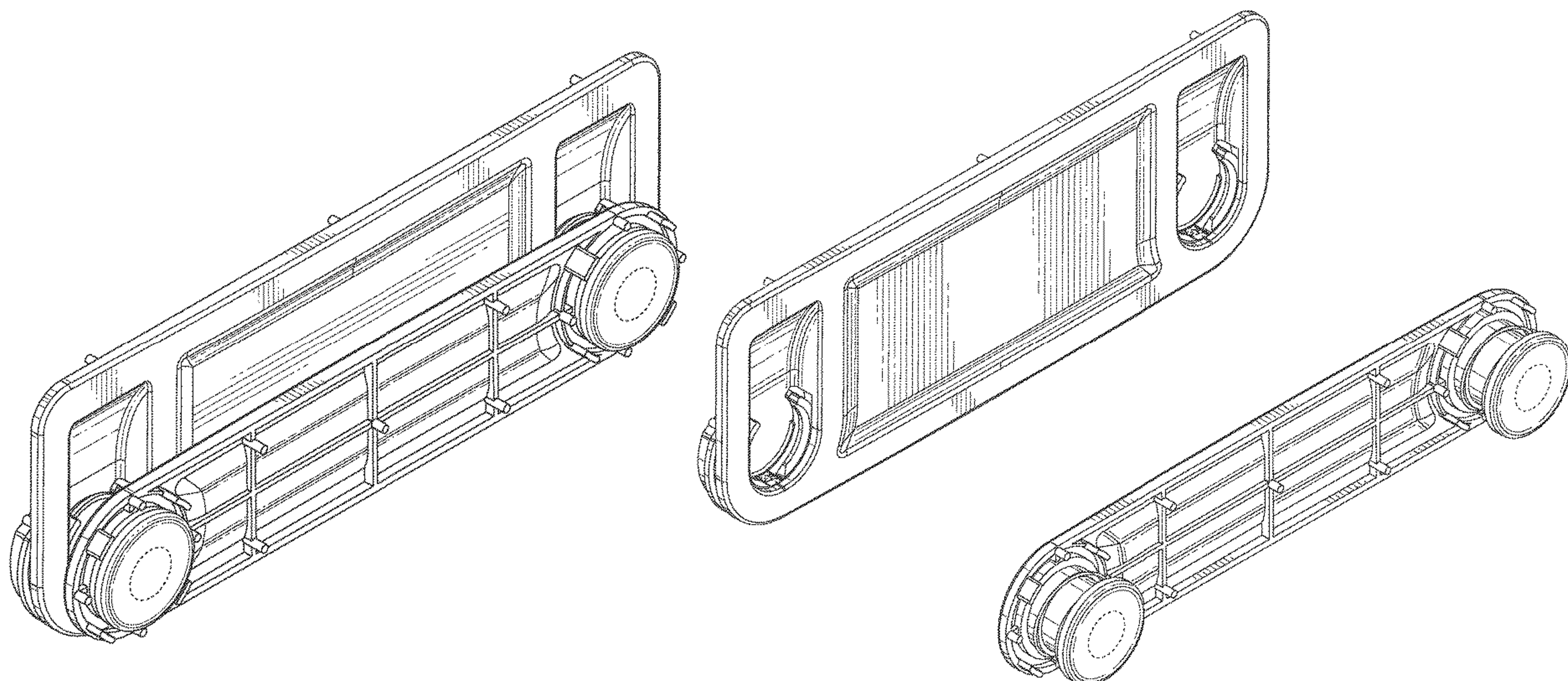
(Continued)

Primary Examiner — Sandra Snapp
Assistant Examiner — Ieisha N Price
(74) *Attorney, Agent, or Firm* — Banner & Witcoff, Ltd.

(57) **CLAIM**
The ornamental design for connector, as shown and described.

DESCRIPTION
FIG. 1 is a front perspective view of a connector showing my new design showing the connector in an assembled state; FIG. 2 is a top plan view thereof; FIG. 3 is a right side view thereof; FIG. 4 is an exploded rear perspective view thereof showing the circular spring-biases in a non-compressed position; FIG. 5 is a front perspective view of FIG. 4; FIG. 6 is a top view of FIG. 4; FIG. 7 is an exploded top view thereof showing the circular spring-biases in a compressed position; FIG. 8 is a left side view of FIG. 4, the right side view being a mirror image thereof; and, FIG. 9 is a left side view of FIG. 7.
The broken lines in the drawings illustrate portions of the connector which form no part of the claimed design.

1 Claim, 7 Drawing Sheets



(56)

References Cited

U.S. PATENT DOCUMENTS

D850,892 S * 6/2019 Lin D8/373
D866,298 S * 11/2019 Kanter D8/354
D866,301 S * 11/2019 Gasparino A47B 45/00
D8/354
D867,121 S * 11/2019 Zalme D8/394
2006/0260893 A1 * 11/2006 Drew A45C 5/14
190/108
2008/0308369 A1 * 12/2008 Louis A45C 5/14
190/108
2010/0059323 A1 * 3/2010 Marji A45C 7/0045
190/18 A
2015/0014949 A1 * 1/2015 Dittman A45C 7/0045
280/47.17
2015/0114777 A1 * 4/2015 Edme A45C 7/0045
190/18 A
2017/0354218 A1 * 12/2017 Kim A45C 7/0045

* cited by examiner

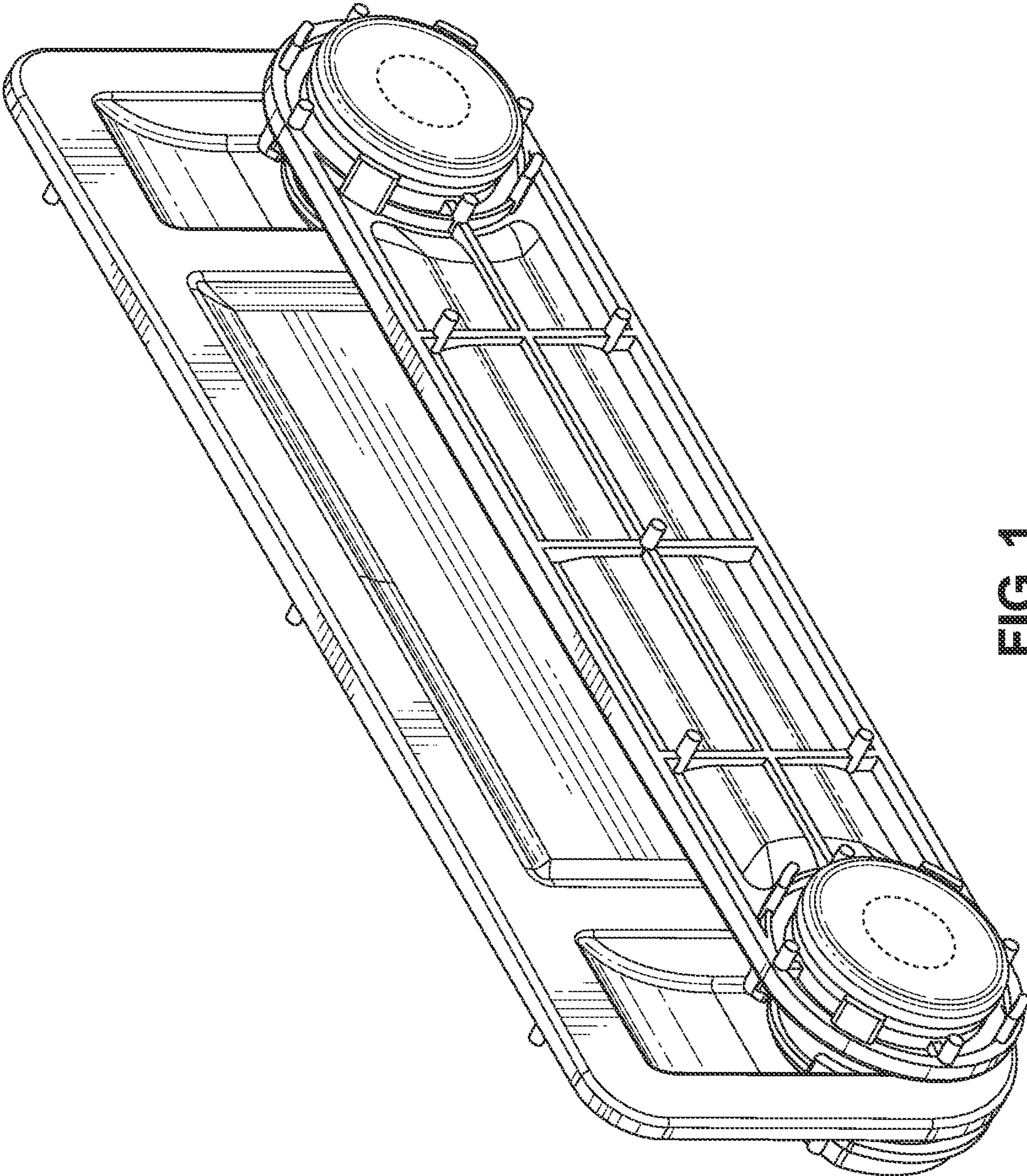


FIG. 1

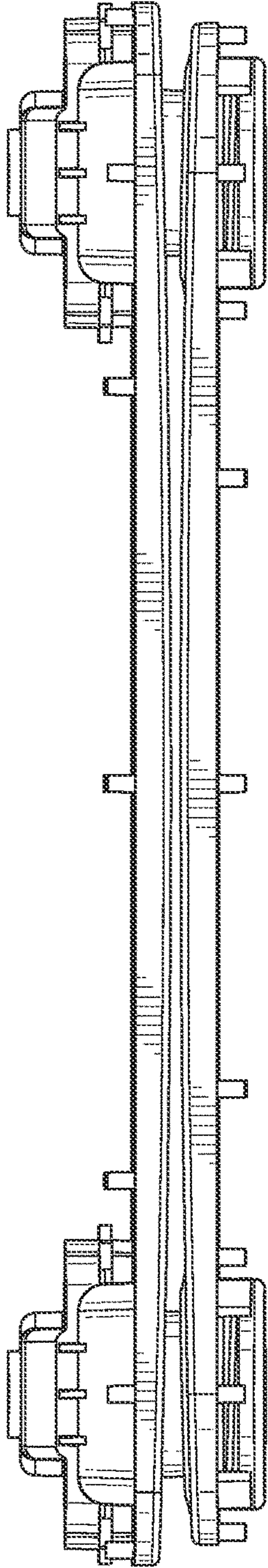


FIG. 2

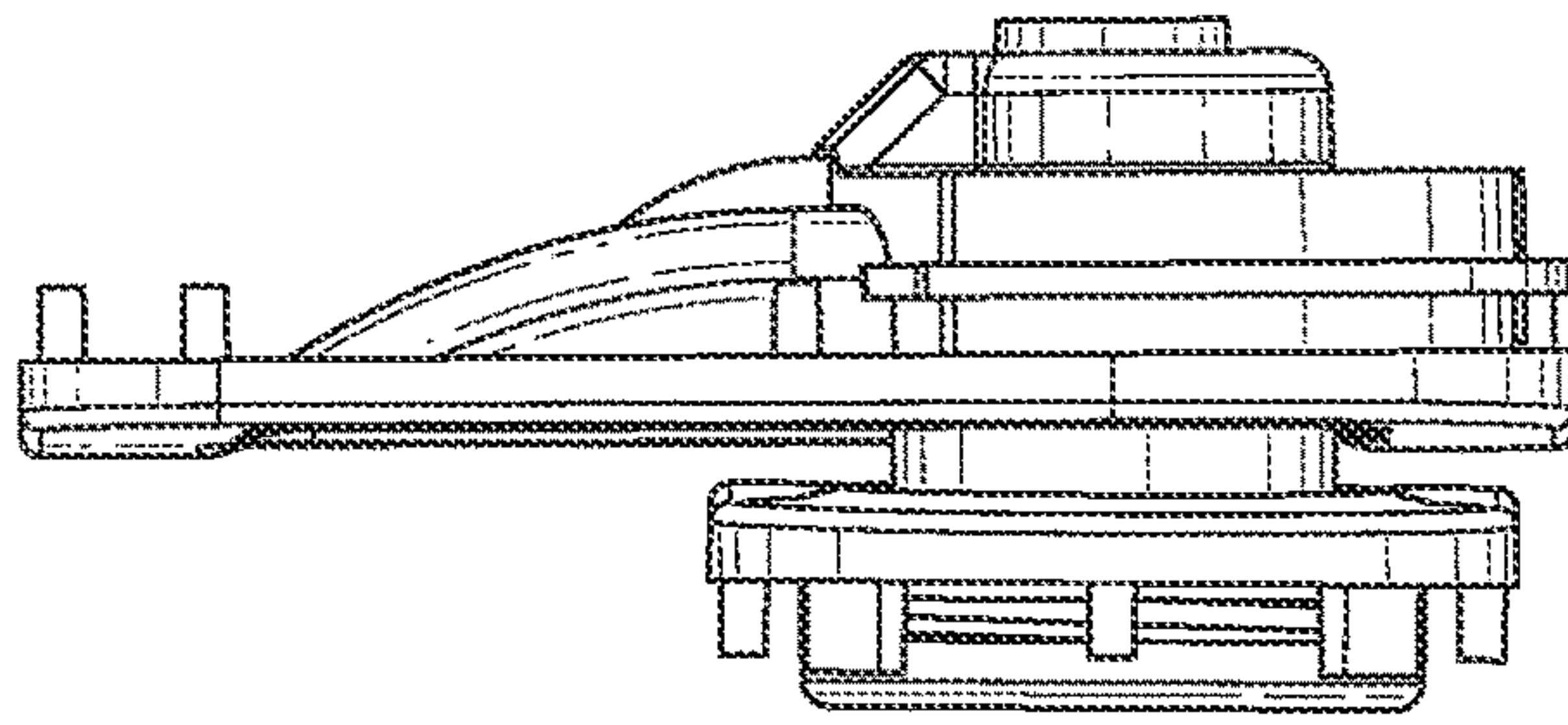


FIG. 3

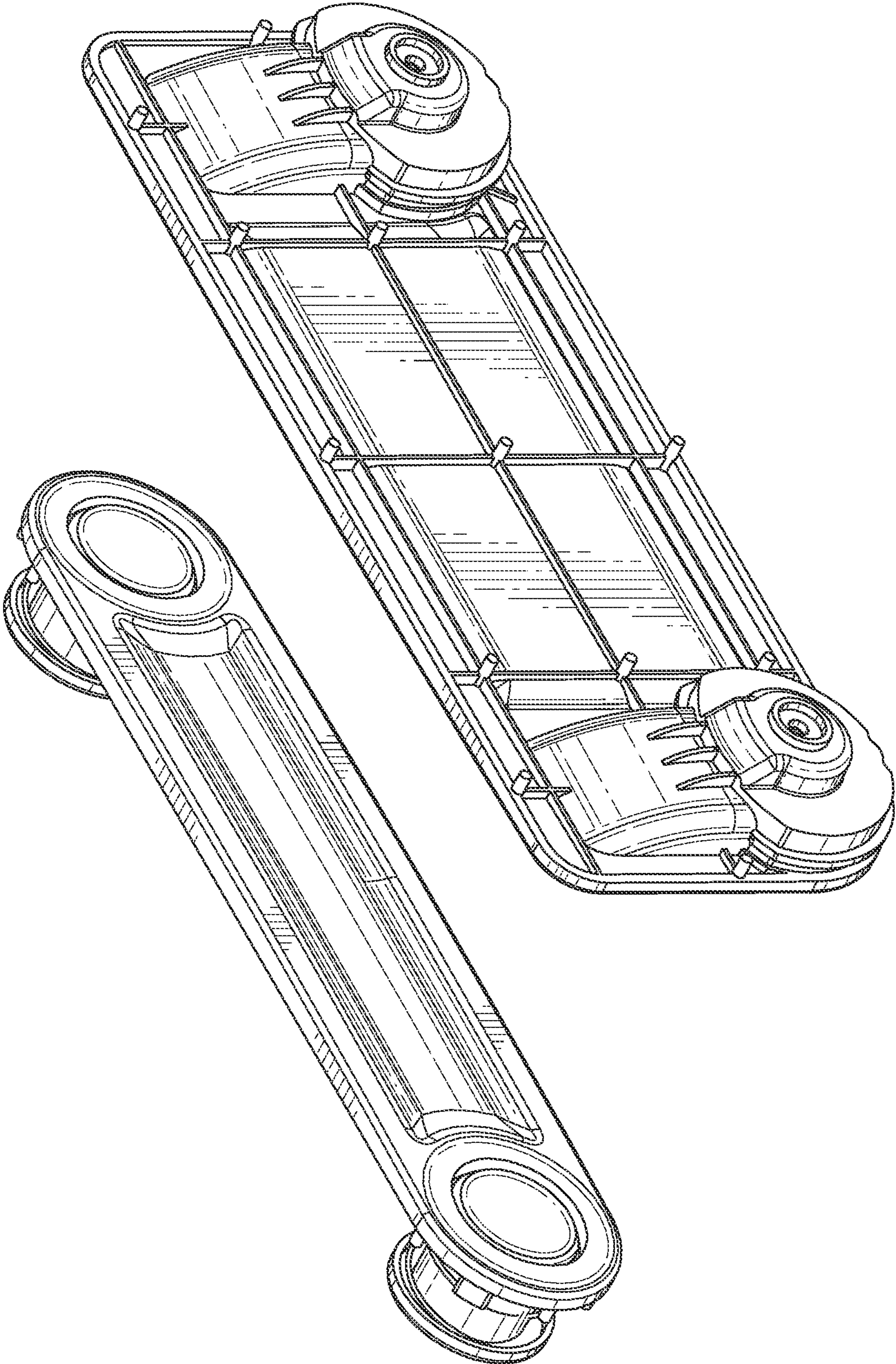


FIG. 4

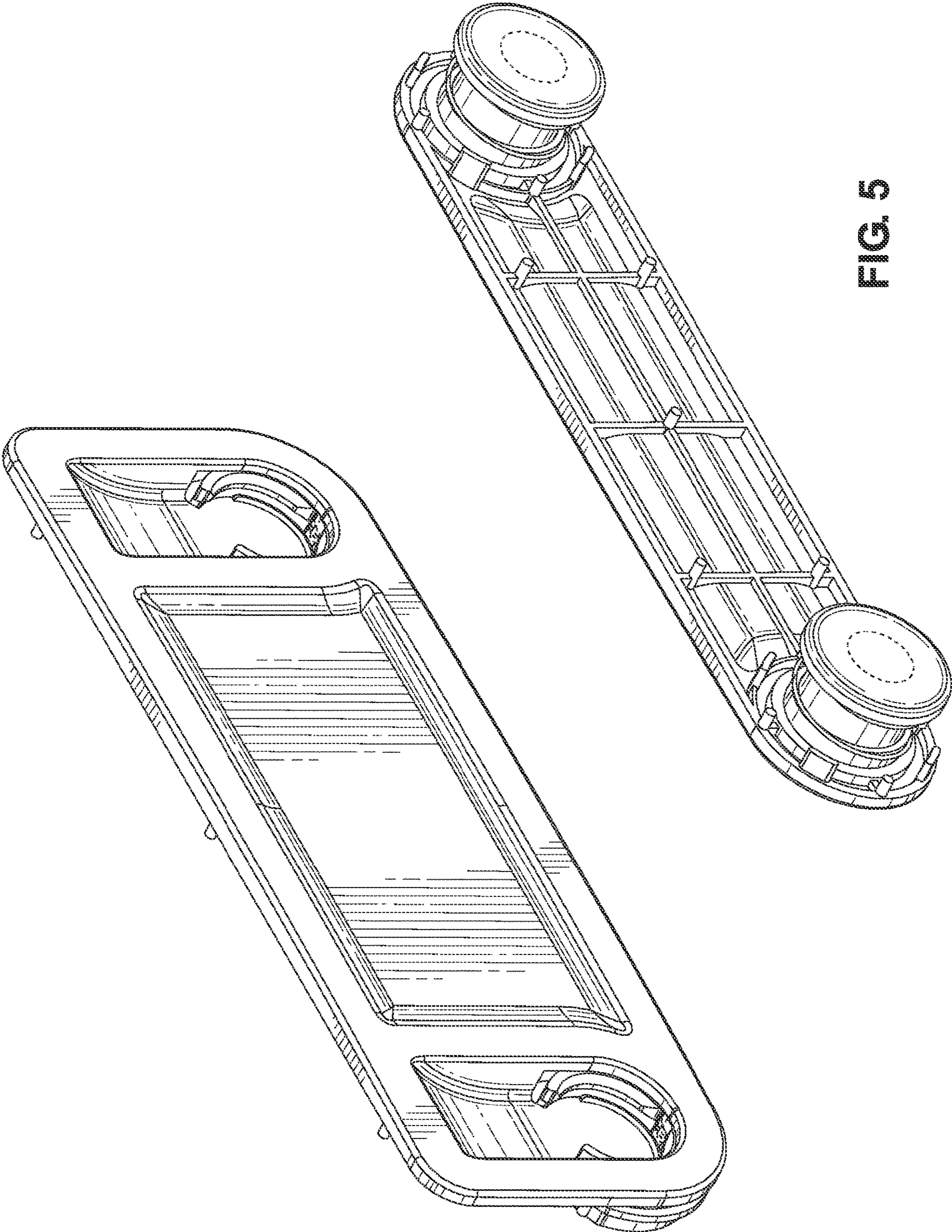


FIG. 5

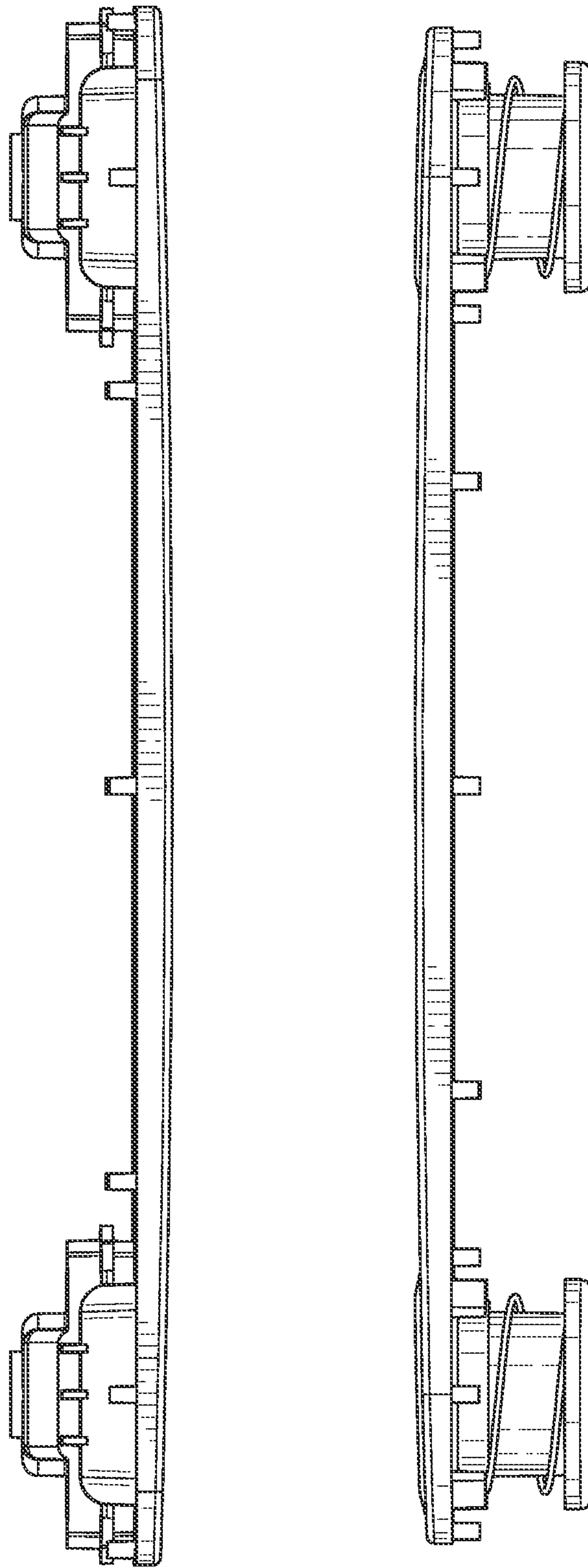


FIG. 6

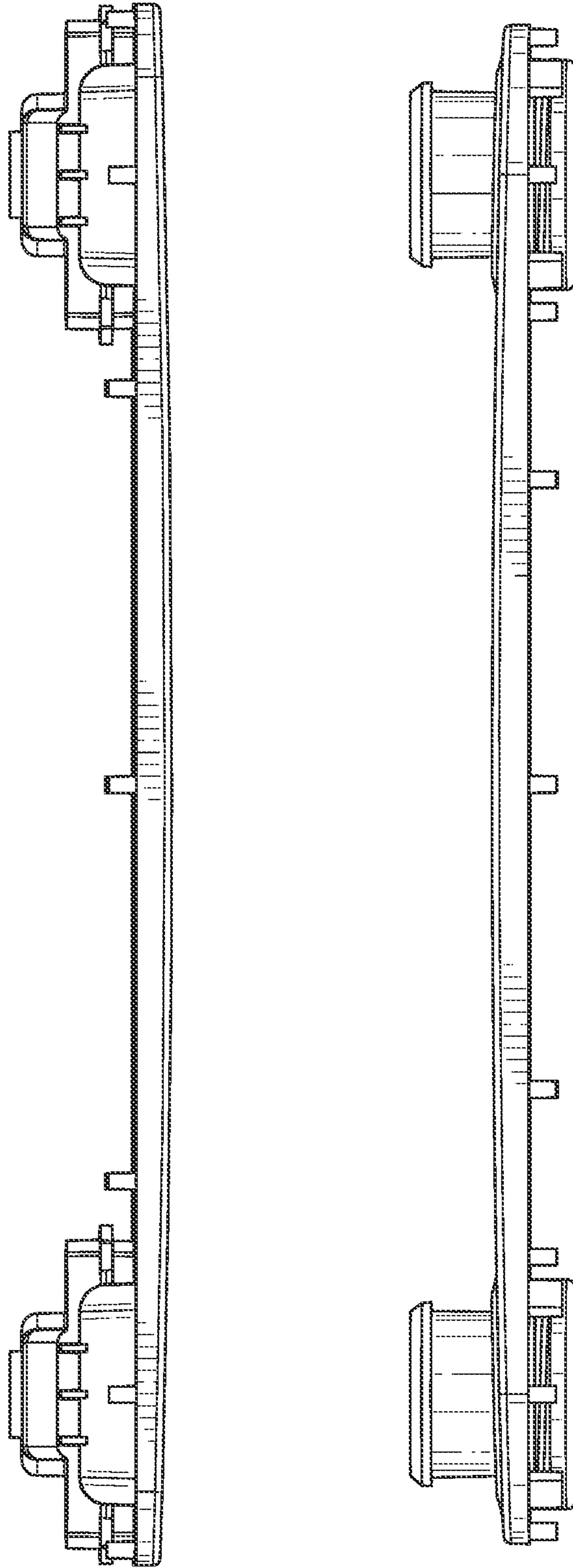


FIG. 7

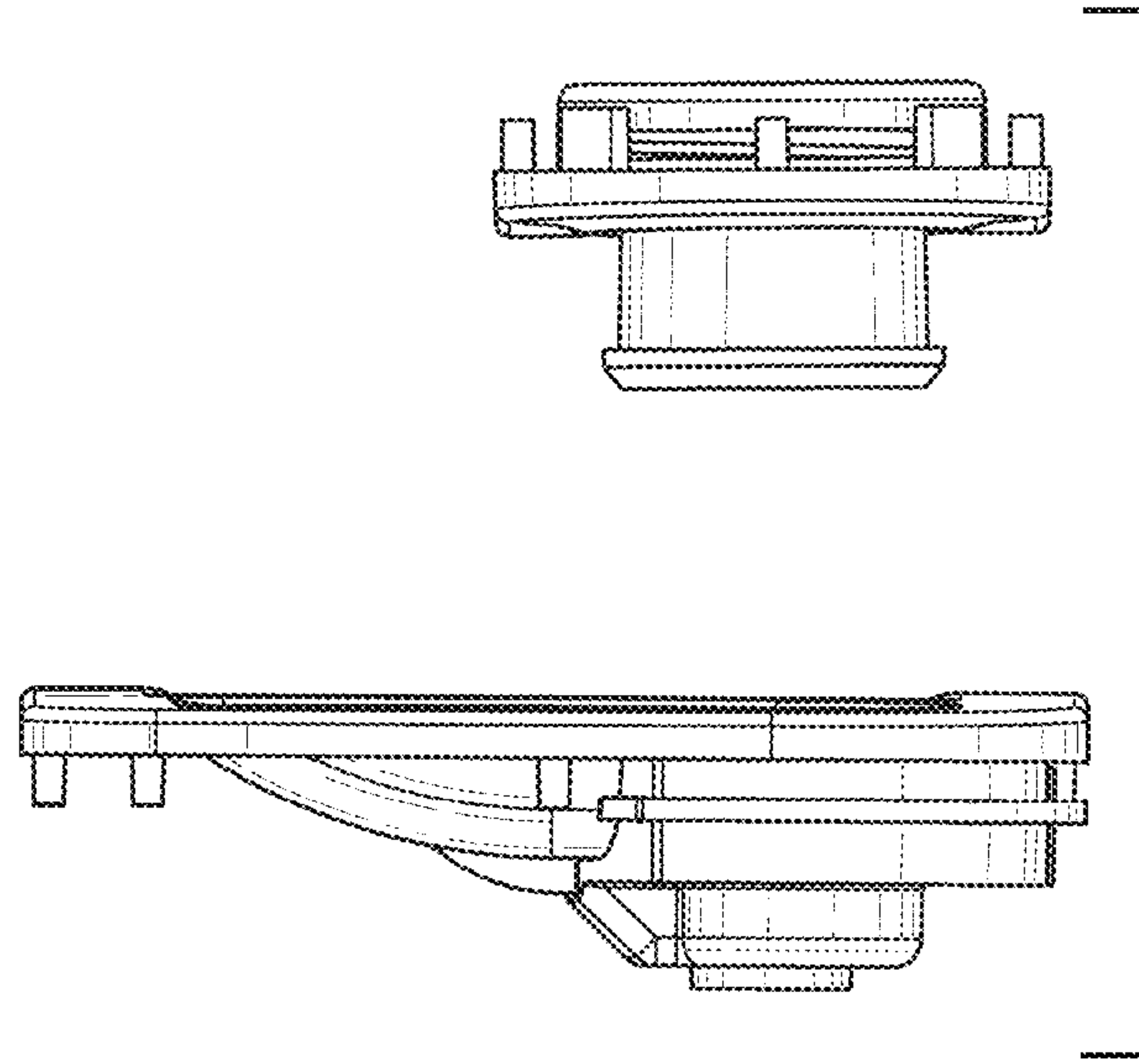


FIG. 9

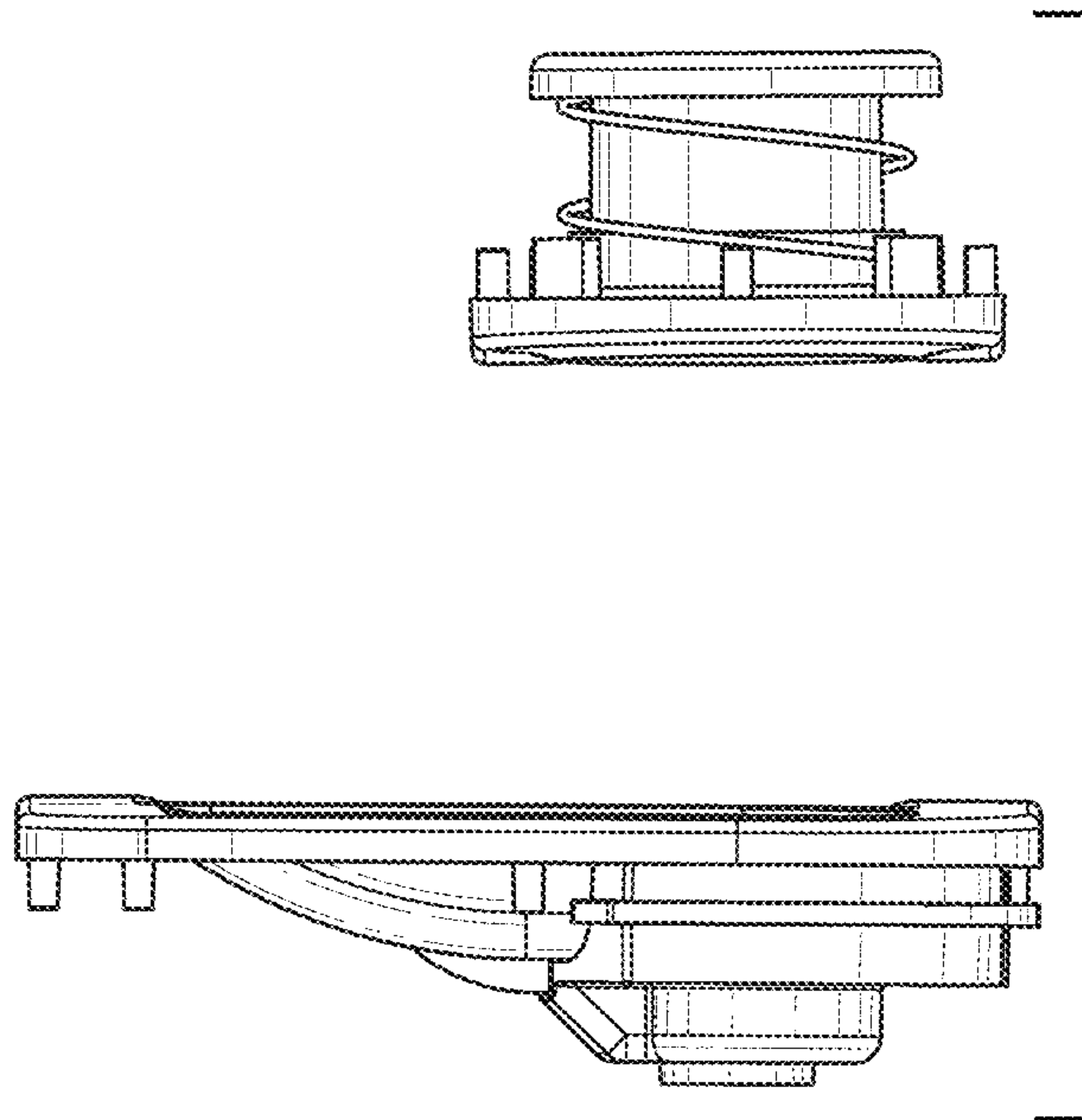


FIG. 8